



US00D646081S

(12) **United States Design Patent**
Muller

(10) **Patent No.:** **US D646,081 S**
(45) **Date of Patent:** **** Oct. 4, 2011**

(54) **TABLE BASE**

D604,066 S 11/2009 Muller
D604,533 S 11/2009 Muller
D613,974 S 4/2010 Muller

(75) Inventor: **Carl A. Muller**, Huntington Beach, CA (US)

OTHER PUBLICATIONS

(73) Assignee: **Elite Manufacturing Corporation**, Santa Fe Springs, CA (US)

Carl A. Muller, Elite Scoop Accent Table #250, 1-page, Apr. 2003.
Carl A. Muller, U.S. Appl. No. 29/378,746, filed Nov. 9, 2010, entitled "Chair Backrest."
Carl A. Muller, U.S. Appl. No. 29/378,748, filed Nov. 9, 2010, entitled "Table Base."
Carl Muller, pending U.S. Appl. No. 29/378,749, filed Nov. 9, 2010 entitled "Seat Frame."

(**) Term: **14 Years**

* cited by examiner

(21) Appl. No.: **29/375,326**

(22) Filed: **Sep. 21, 2010**

(51) **LOC (9) Cl.** **06-06**

Primary Examiner — Janice Seeger

(52) **U.S. Cl.** **D6/495**

(74) *Attorney, Agent, or Firm* — Heslin Rothenberg Farley & Mesiti P.C.

(58) **Field of Classification Search** D6/480-489,
D6/495-499, 450-451; 108/150, 153.1,
108/155, 156, 161; 248/188, 188.1, 188.8
See application file for complete search history.

(57) **CLAIM**

The ornamental design for a table base, as shown and described.

(56) **References Cited**

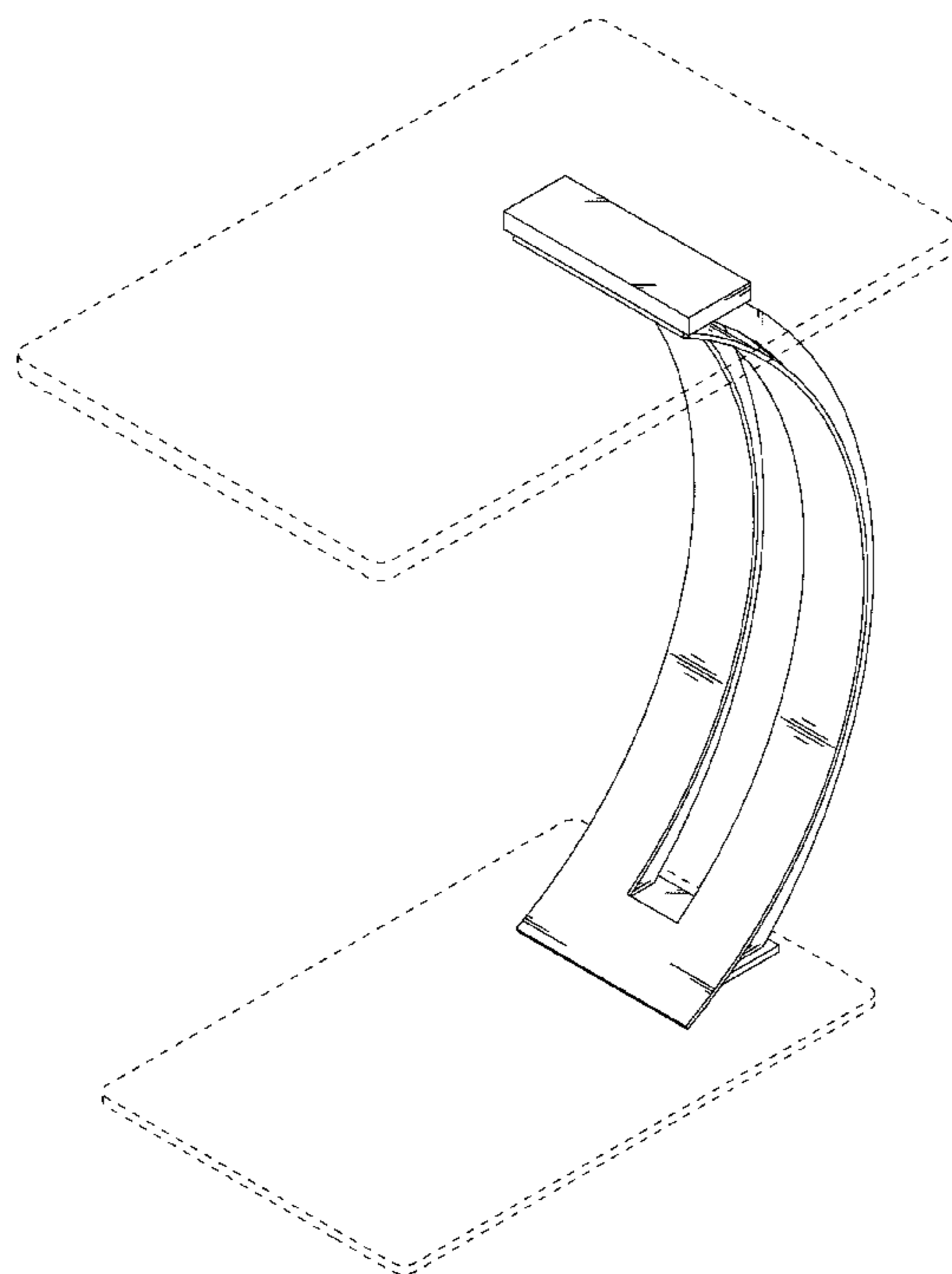
DESCRIPTION

U.S. PATENT DOCUMENTS

D290,072 S *	6/1987	Winzeler, III	D6/486
D359,637 S *	6/1995	Hammie	D6/482
D509,385 S	9/2005	Muller		
D541,560 S	5/2007	Muller		
D543,733 S	6/2007	Muller		
D545,087 S	6/2007	Muller		
D563,123 S	3/2008	Muller		
D566,996 S	4/2008	Muller		
D566,997 S	4/2008	Muller		
D573,376 S	7/2008	Muller		
D574,640 S	8/2008	Muller		
D578,322 S	10/2008	Muller		
D578,323 S	10/2008	Muller		

FIG. 1 is an isometric view of a table base in accordance with the new design;
FIG. 2 is a front elevational view thereof,
FIG. 3 is a right side elevational view thereof;
FIG. 4 is a left side elevational view thereof;
FIG. 5 is a rear elevational view thereof; and,
FIG. 6 is a top view thereof.
The broken lines in the figures are for illustrative purposes only and form no part of the claimed design.

1 Claim, 6 Drawing Sheets



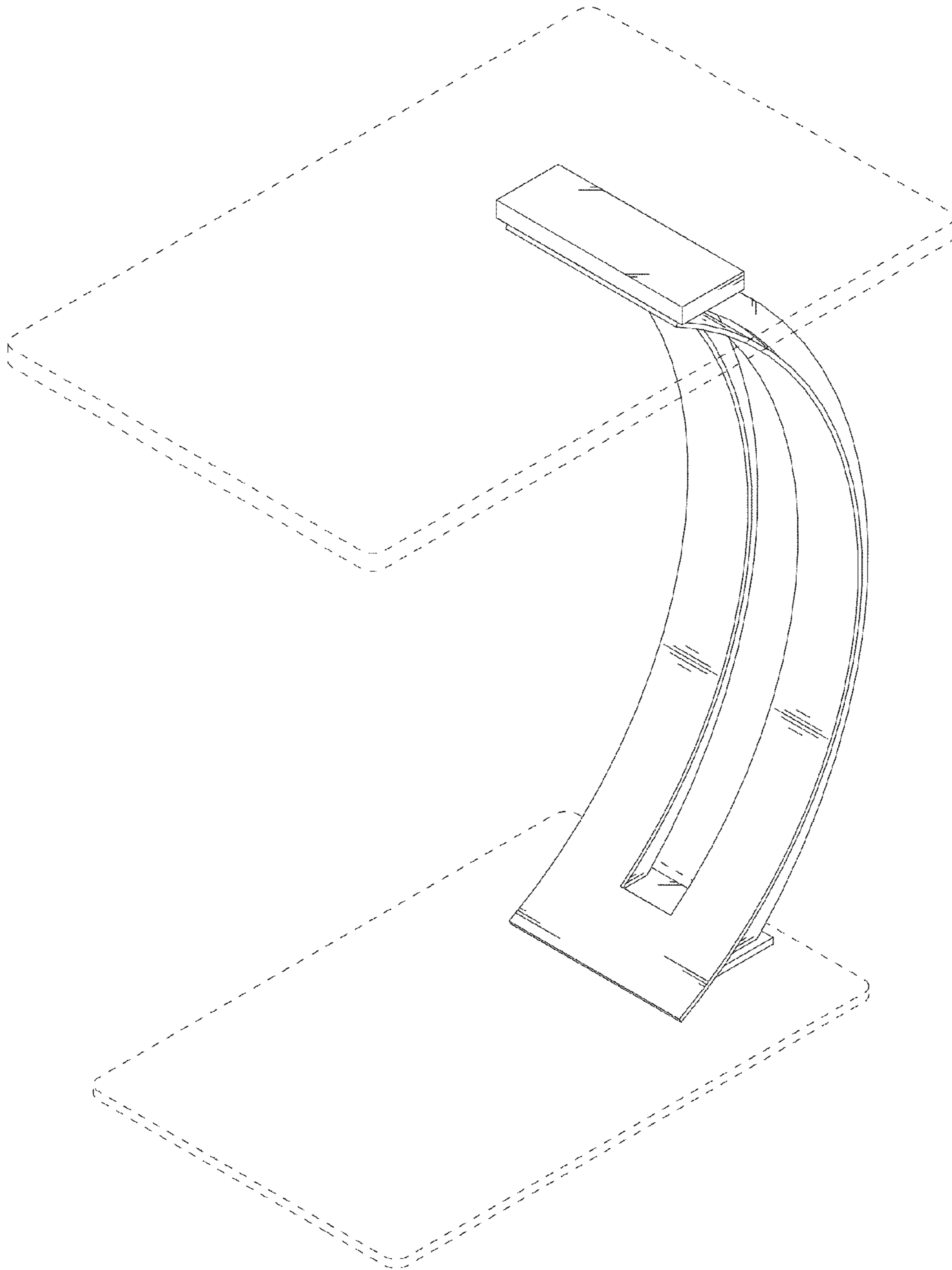


FIG. 1

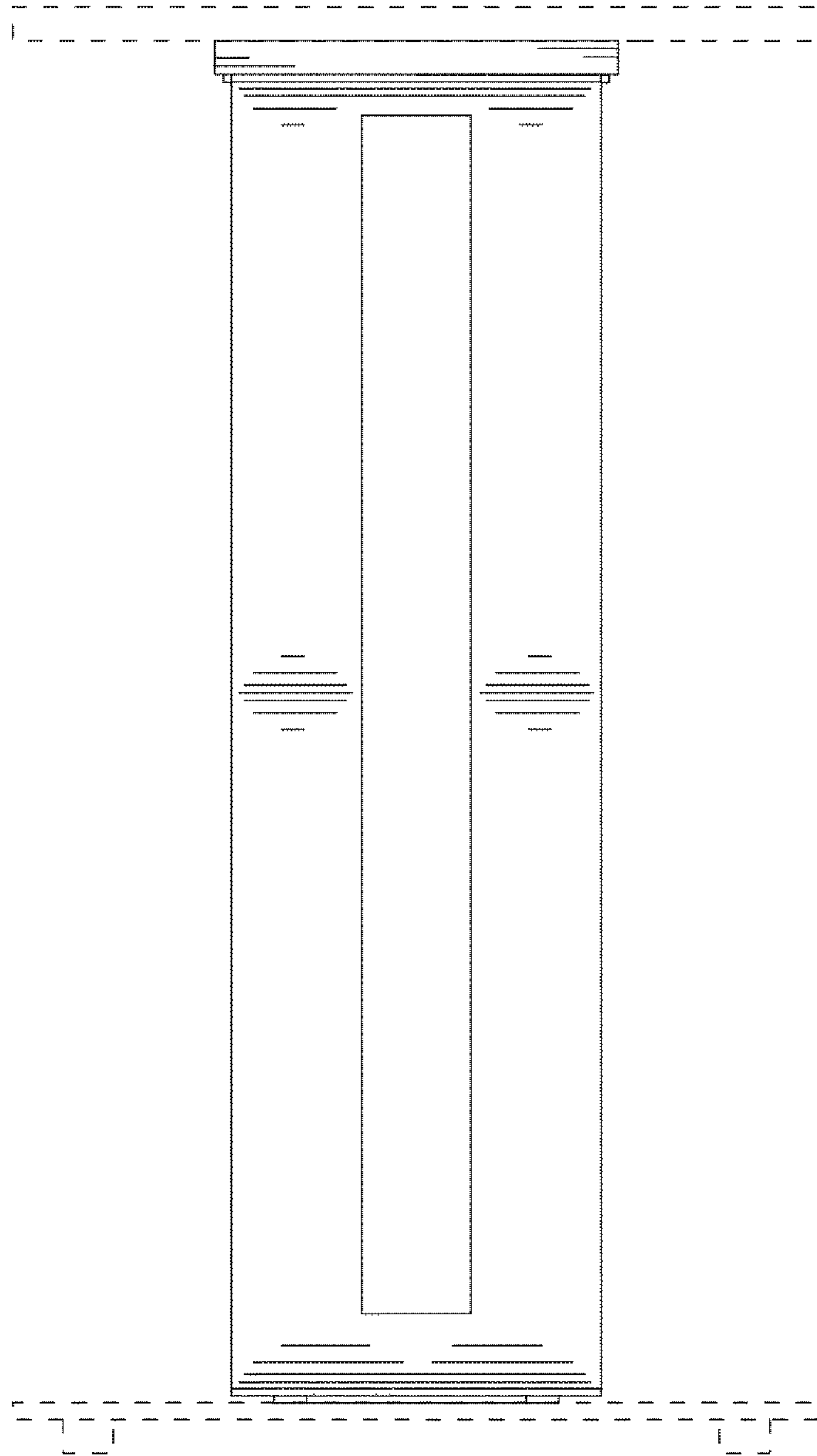


FIG. 2

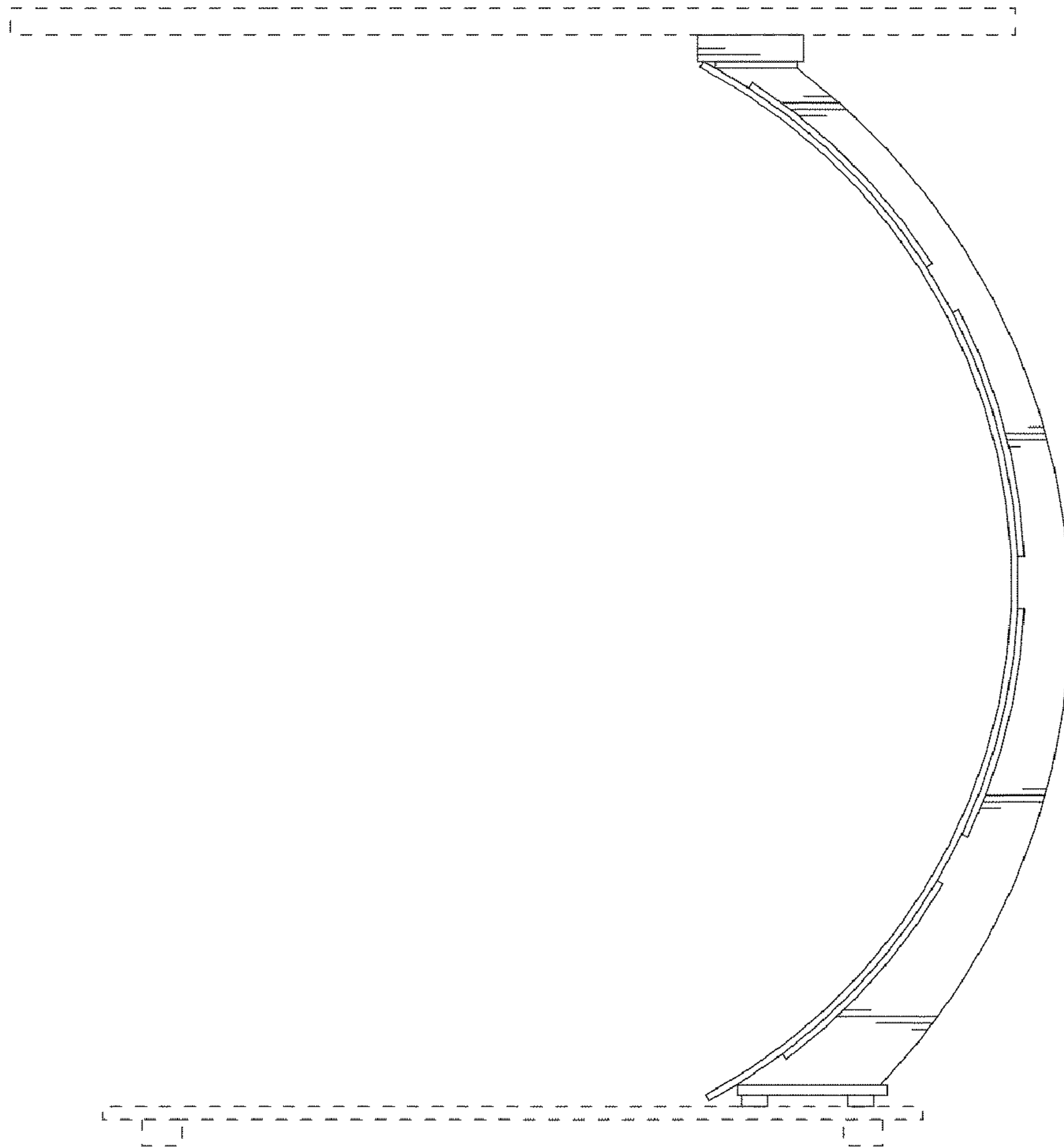


FIG. 3

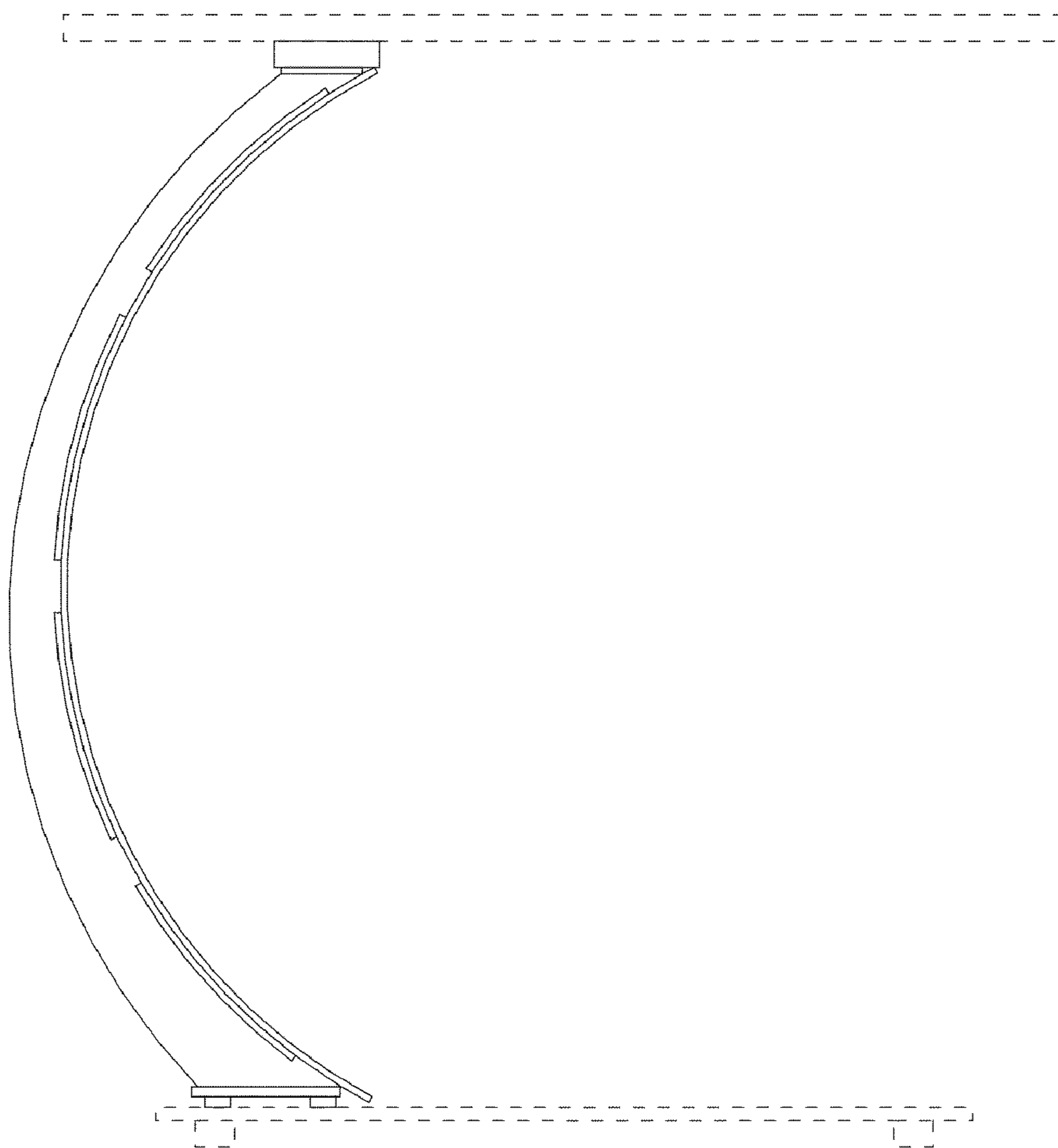


FIG. 4

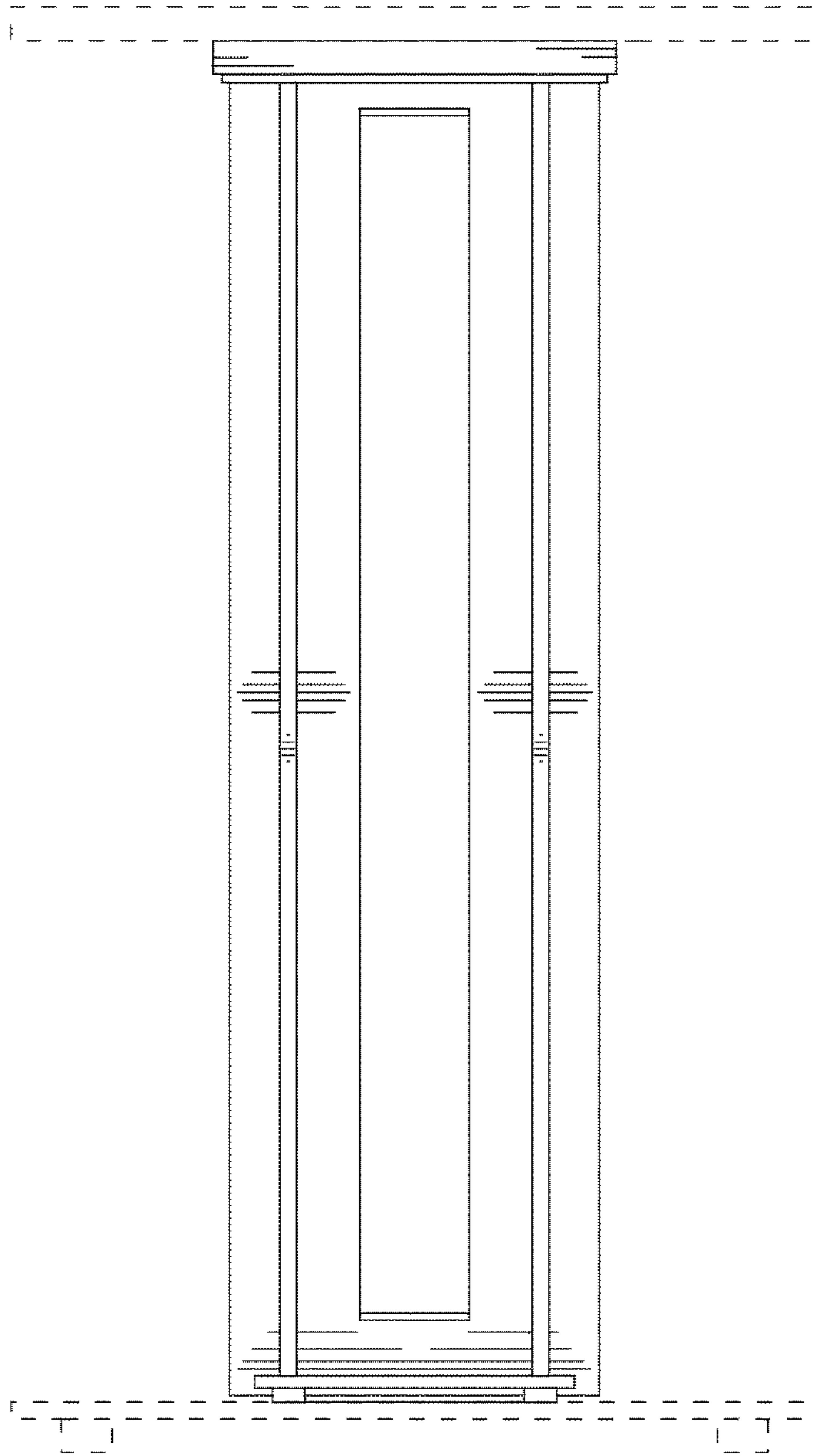


FIG. 5

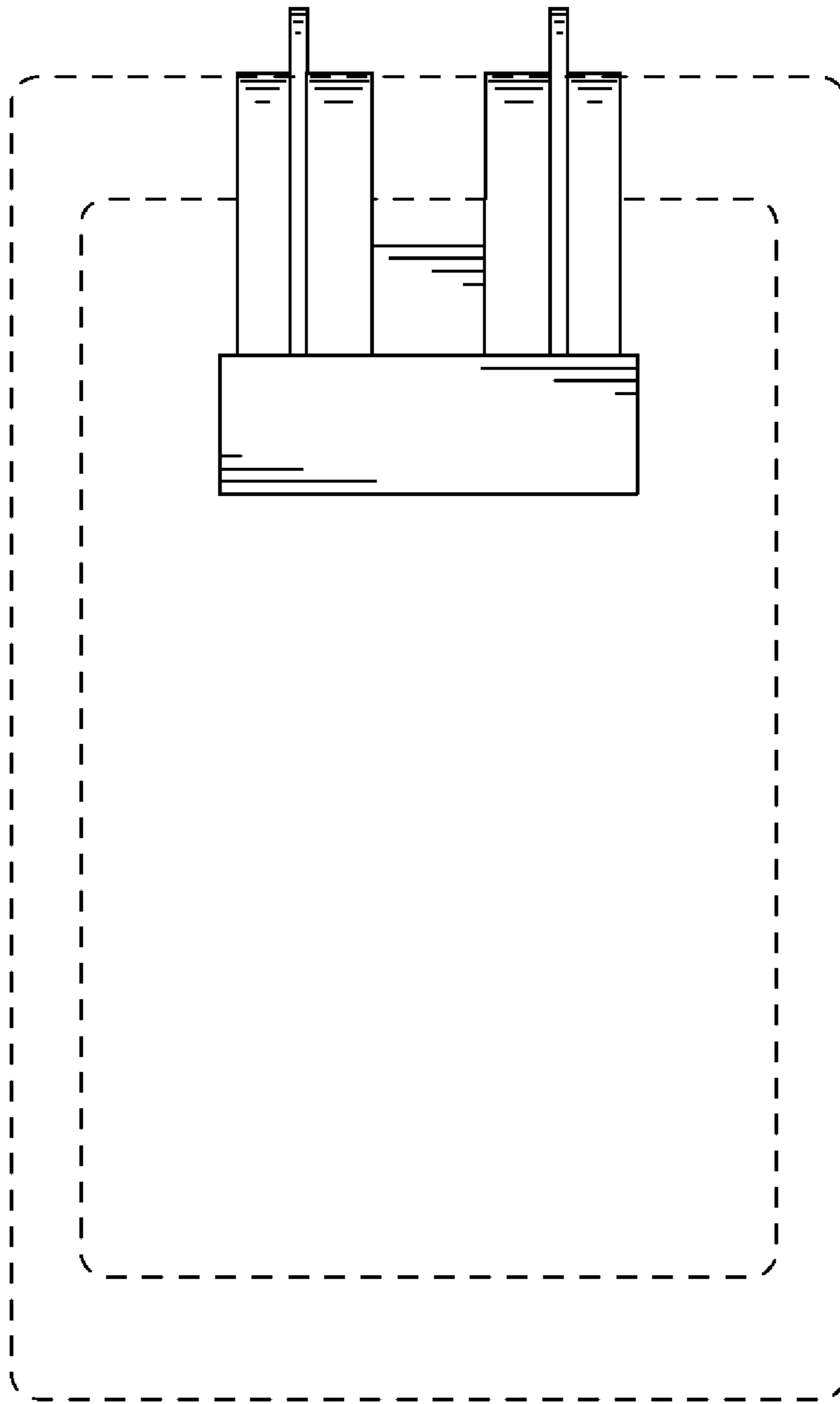


FIG. 6