



US00D646079S

(12) **United States Design Patent**  
**York et al.**

(10) **Patent No.:** **US D646,079 S**

(45) **Date of Patent:** **\*\* Oct. 4, 2011**

(54) **CHANGING STATION**

(75) Inventors: **Jennifer York**, Little Elm, TX (US);  
**Misti Neas**, Dallas, TX (US); **James L. Dillion, Jr.**, Flower Mound, TX (US);  
**Robert H. Palmer**, Little Elm, TX (US)

(73) Assignee: **EGO Brands, LLC**, Dallas, TX (US)

(\*\*) Term: **14 Years**

(21) Appl. No.: **29/369,034**

(22) Filed: **Sep. 1, 2010**

(51) **LOC (9) Cl.** ..... **06-02**

(52) **U.S. Cl.** ..... **D6/391**

(58) **Field of Classification Search** ..... D6/385-387,  
D6/390, 391, 333, 331.503; 5/93.1, 98.1,  
5/98.3, 99.1, 100, 101, 102, 105, 945, 947,  
5/655, 93.2

See application file for complete search history.

(56) **References Cited**

**U.S. PATENT DOCUMENTS**

4,466,146	A	8/1984	Regan	
5,299,336	A	4/1994	Marteeny	
5,906,015	A	5/1999	Hilger	
D467,093	S *	12/2002	Brophy	..... D6/391

D510,820 S \* 10/2005 Asagami et al. .... D6/392  
\* cited by examiner

*Primary Examiner* — Janice Seeger  
(74) *Attorney, Agent, or Firm* — Scott L. Harper; Harper Law Group PLLC

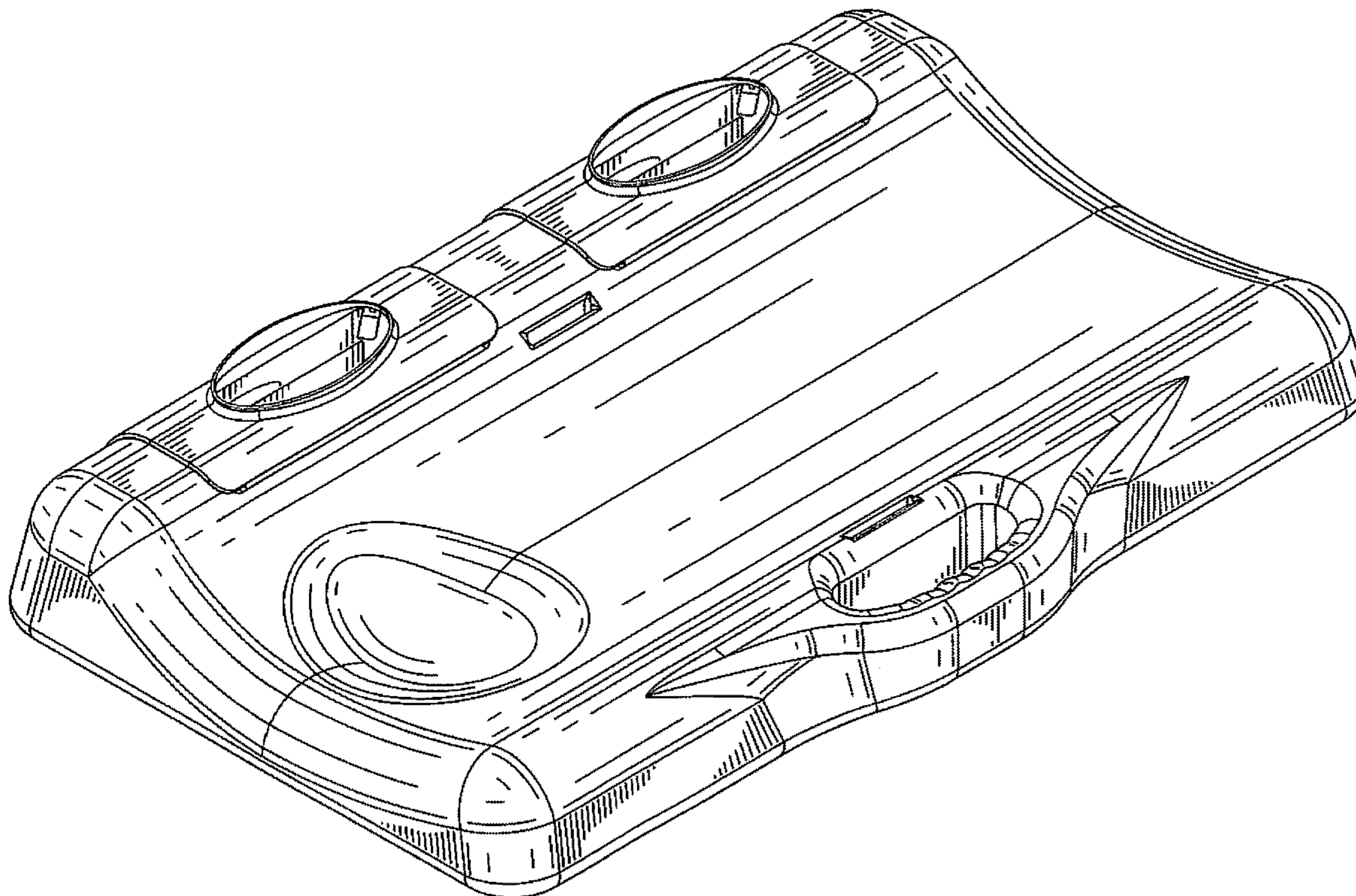
(57) **CLAIM**  
The ornamental design for a changing station, as shown and described.

**DESCRIPTION**

FIG. 1 is a perspective view of the changing station of the present invention;  
FIG. 2 is a front elevational view of the changing station of the present invention;  
FIG. 3 is a rear elevational view of the changing station of the present invention;  
FIG. 4 is a right side elevational view of the changing station of the present invention;  
FIG. 5 is a left side elevational view of the changing station of the present invention;  
FIG. 6 is a top plan view of the changing station of the present invention; and,  
FIG. 7 is a bottom plan view of the changing station of the present invention.

The broken lines are for environmental purposes only and form no part of the claimed design.

**1 Claim, 5 Drawing Sheets**



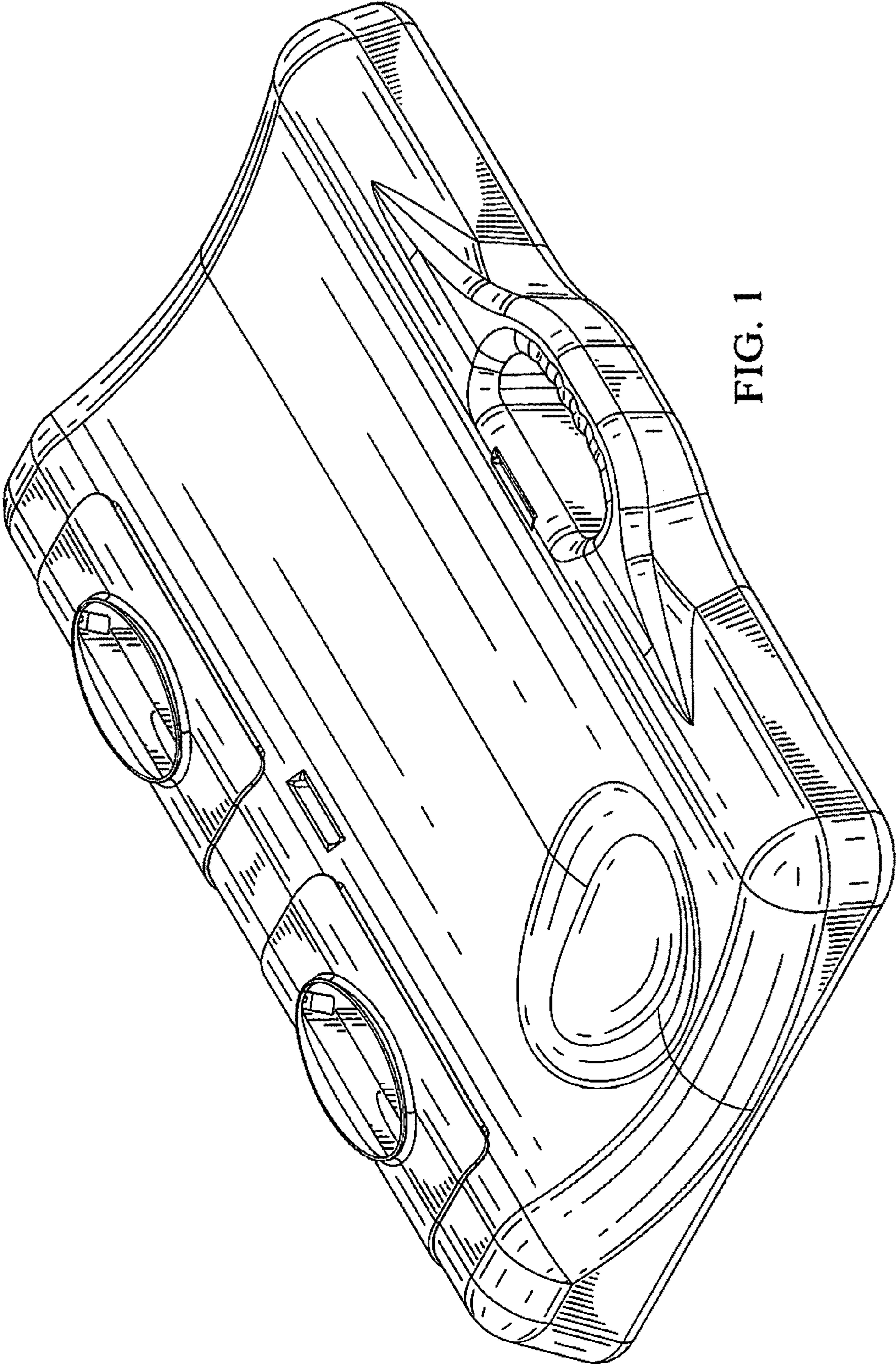


FIG. 1



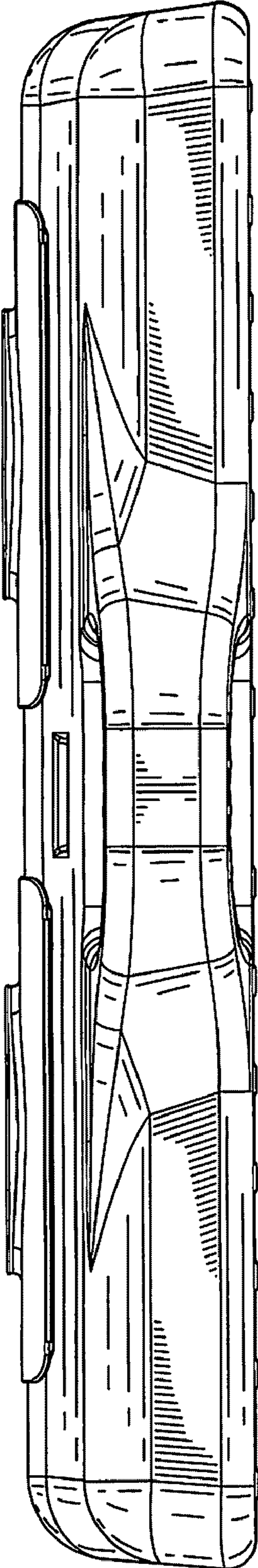


FIG. 2

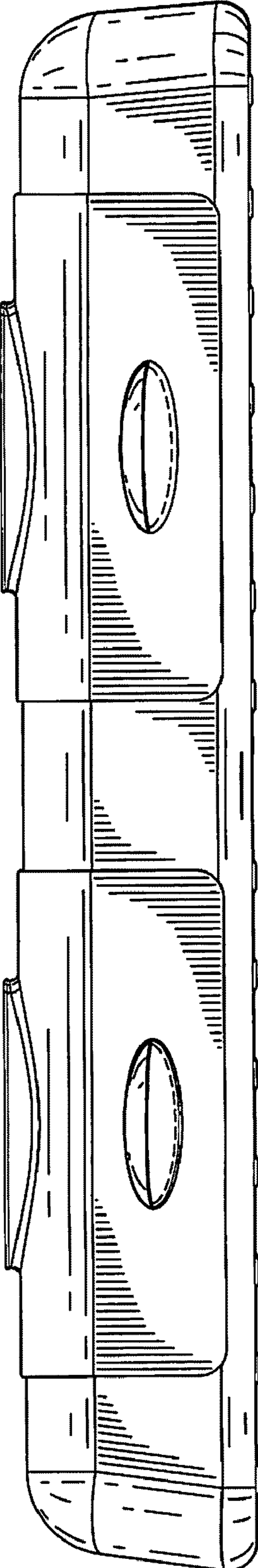


FIG. 3

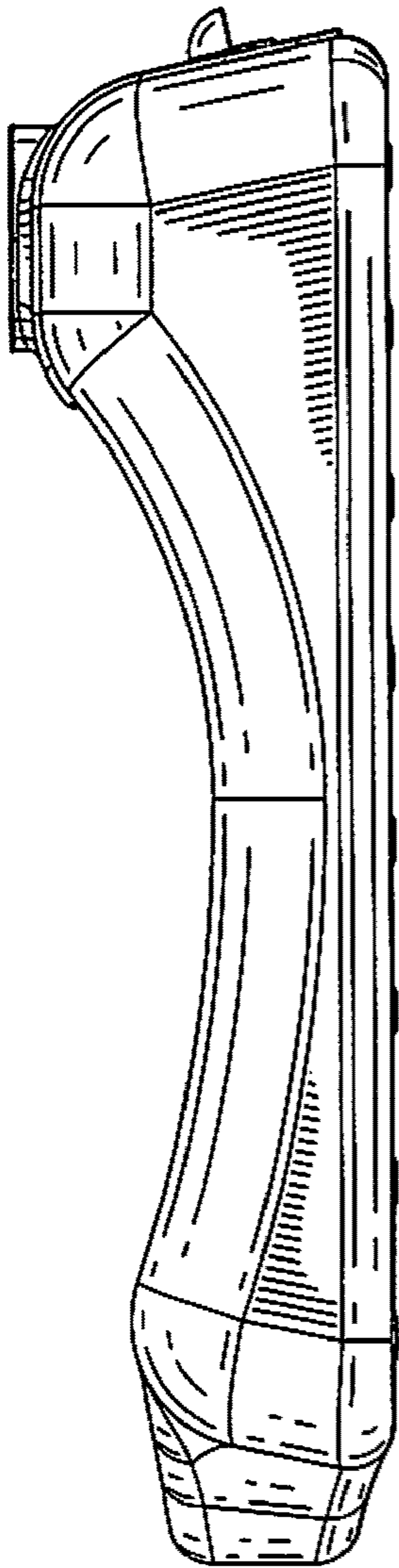


FIG. 4

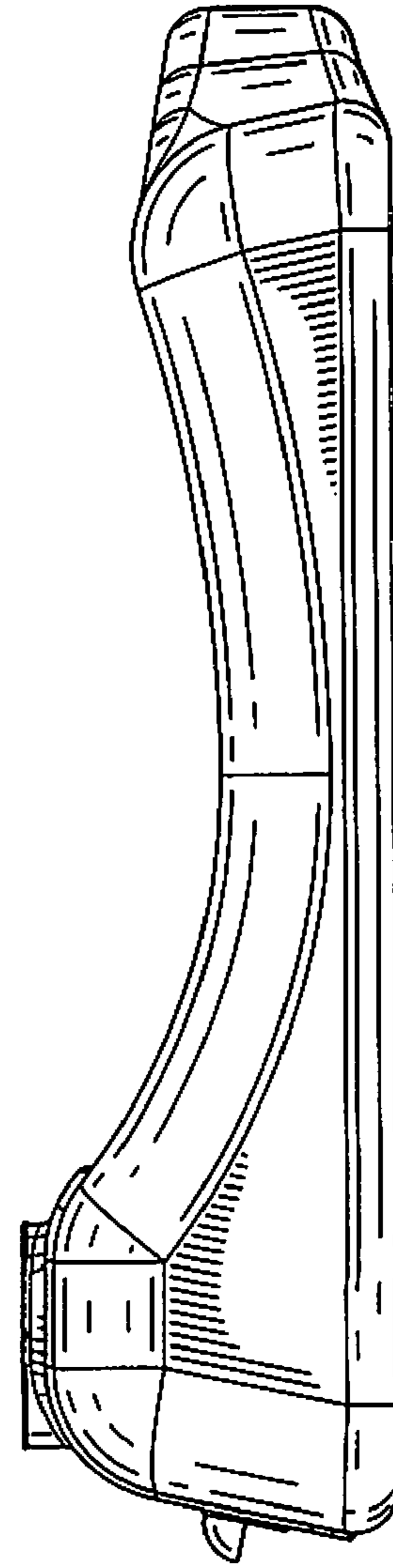


FIG. 5

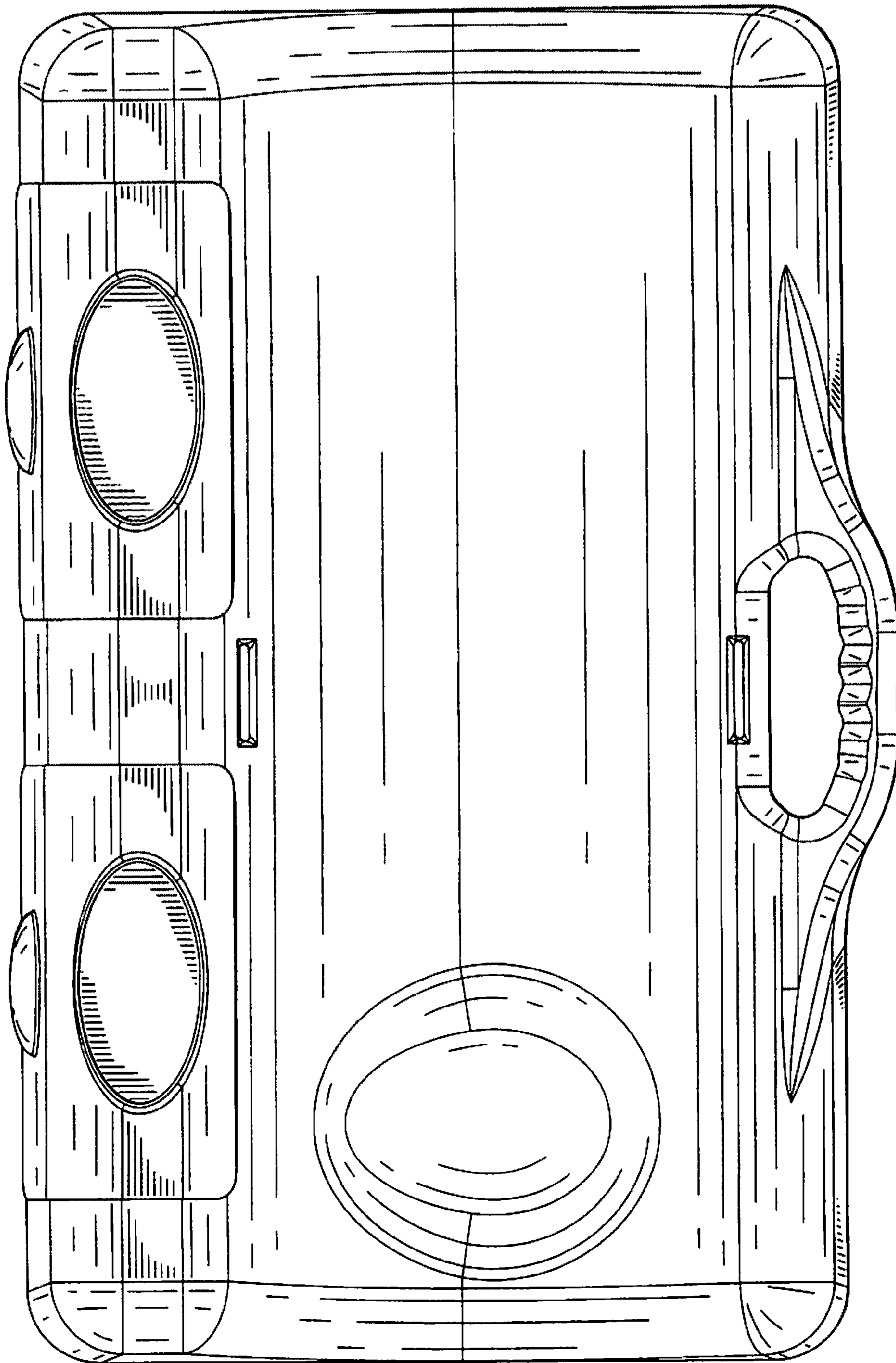


FIG. 6



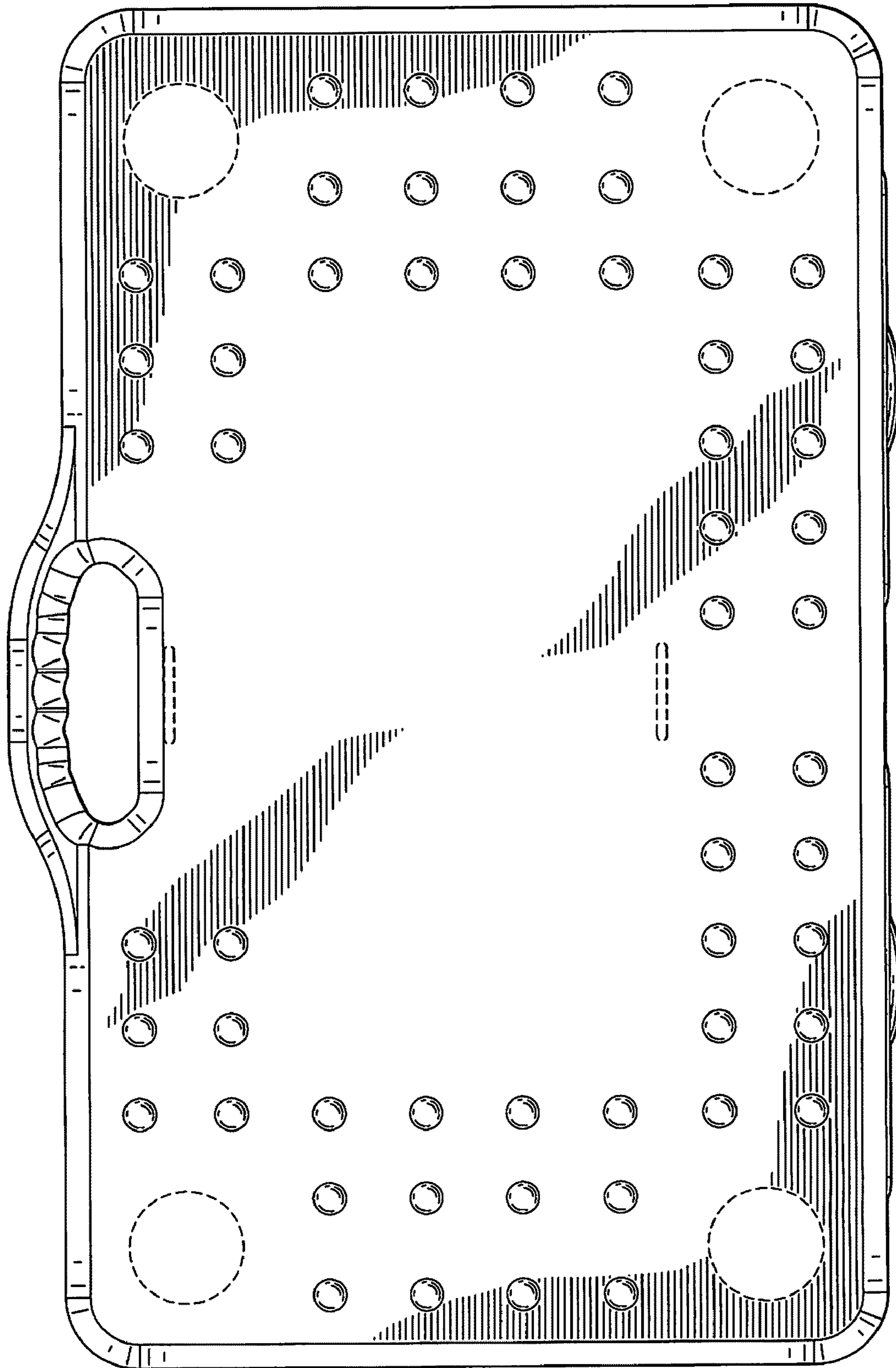


FIG. 7