



US00D646078S

(12) **United States Design Patent**  
**Shih**

(10) **Patent No.:** **US D646,078 S**

(45) **Date of Patent:** **\*\* Oct. 4, 2011**

(54) **ELECTRIC BED FRAME**

(75) Inventor: **Lung-Tan Shih**, Lukang Town (TW)

(73) Assignee: **Ruoey Lung Enterprise Corp.**, Lukang Town, Changhua Hsien (TW)

(\*\*) Term: **14 Years**

(21) Appl. No.: **29/381,403**

(22) Filed: **Dec. 19, 2010**

(51) **LOC (9) Cl.** ..... **06-02**

(52) **U.S. Cl.** ..... **D6/382**

(58) **Field of Classification Search** ..... D6/382,  
D6/383, 388, 393-395, 505-508, 503, 349,  
D6/355, 361; 5/53.1, 907, 279.1, 280, 281,  
5/191, 600, 610, 613, 611, 617, 618, 186.1,  
5/620, 509.1, 184

See application file for complete search history.

(56) **References Cited**

**U.S. PATENT DOCUMENTS**

4,097,939 A \* 7/1978 Peck et al. .... 5/611  
4,276,665 A \* 7/1981 Mis ..... 5/184

4,715,073 A \* 12/1987 Butler ..... 5/607  
D331,159 S \* 11/1992 Bueno ..... D6/392  
5,243,726 A \* 9/1993 Bisbee ..... 5/610  
D428,726 S \* 8/2000 Graziano ..... D6/382

\* cited by examiner

*Primary Examiner* — Janice Seeger

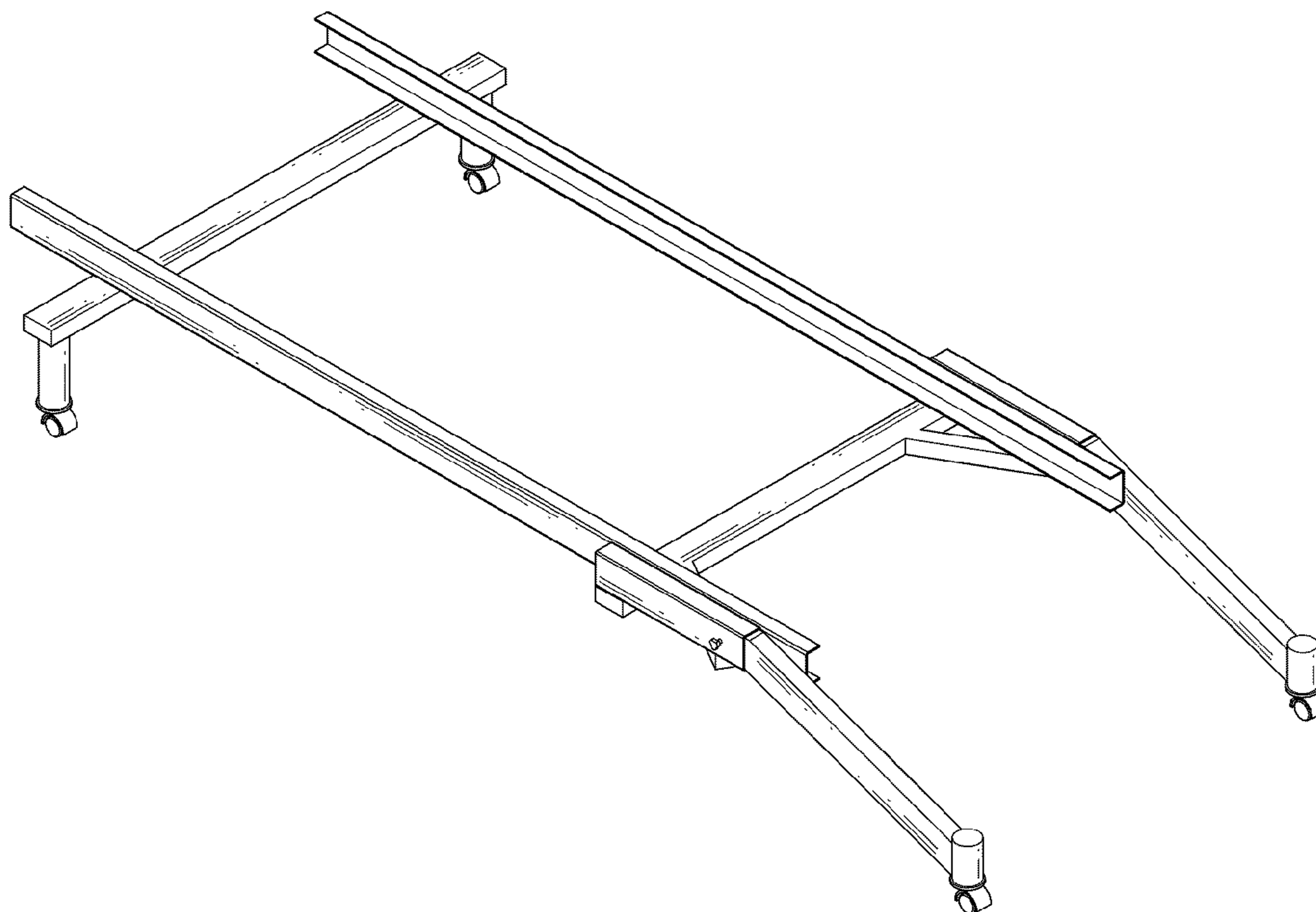
(57) **CLAIM**

The ornamental design for an electric bed frame, as shown and described.

**DESCRIPTION**

FIG. 1 is a perspective view of an electric bed frame showing my new design;  
FIG. 2 is a front view of the embodiment shown in FIG. 1;  
FIG. 3 is a rear view of the embodiment shown in FIG. 1;  
FIG. 4 is a left side view of the embodiment shown in FIG. 1;  
FIG. 5 is a right side view of the embodiment shown in FIG. 1;  
FIG. 6 is a top view of the embodiment shown in FIG. 1; and,  
FIG. 7 is a bottom view of the embodiment shown in FIG. 1.

**1 Claim, 4 Drawing Sheets**



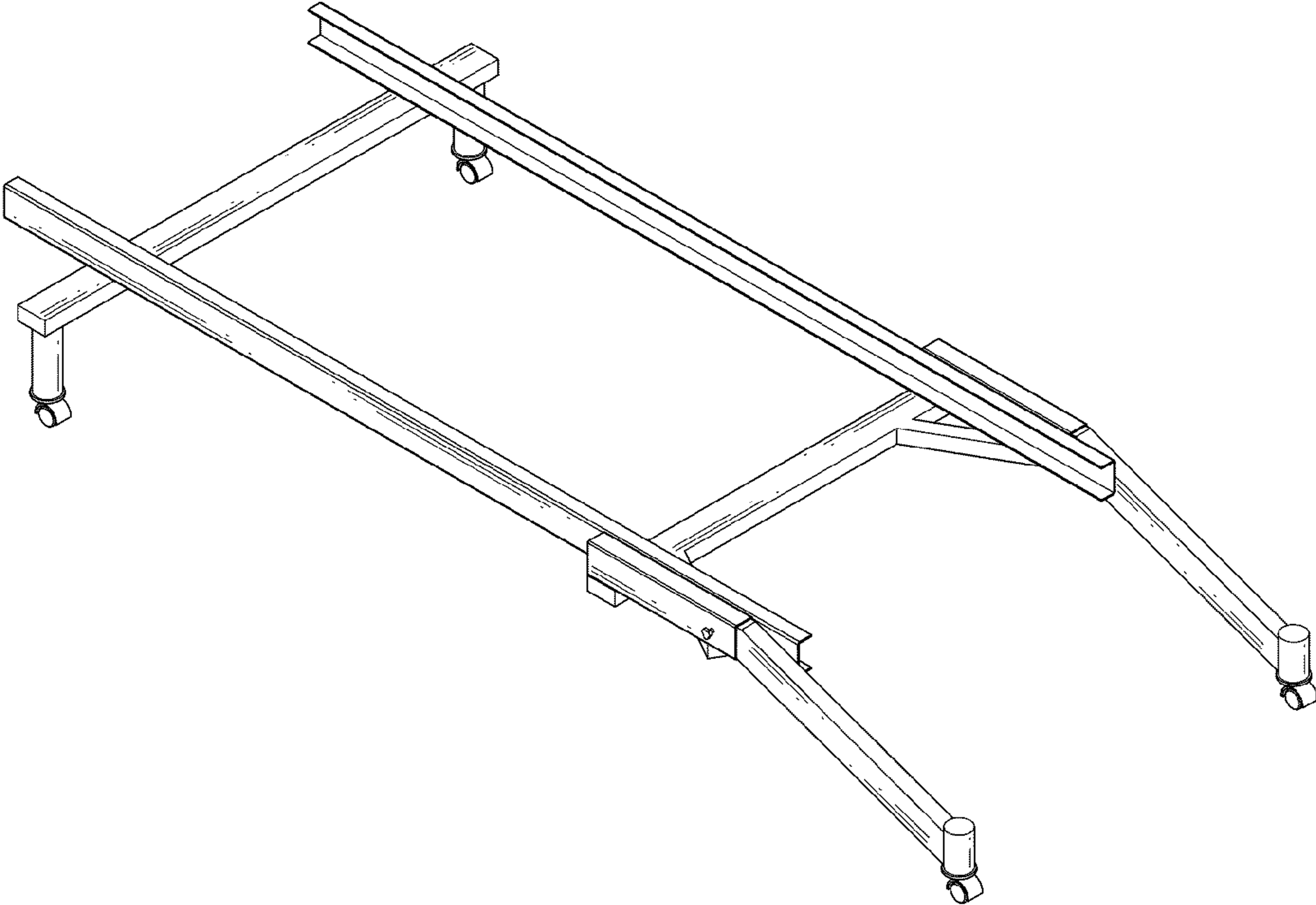


FIG. 1



FIG. 2

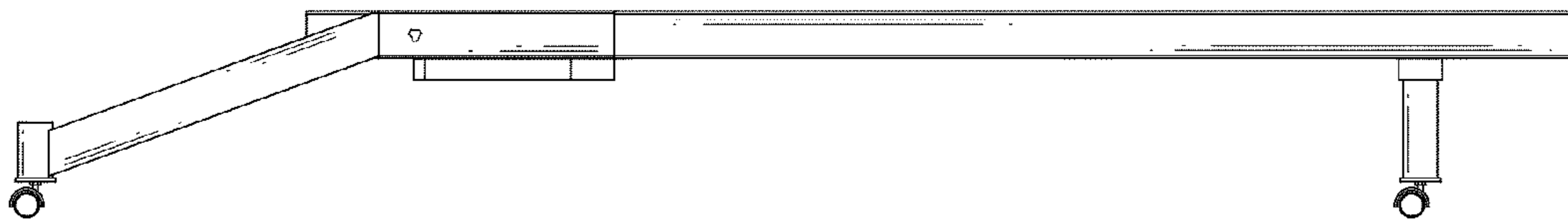


FIG. 3

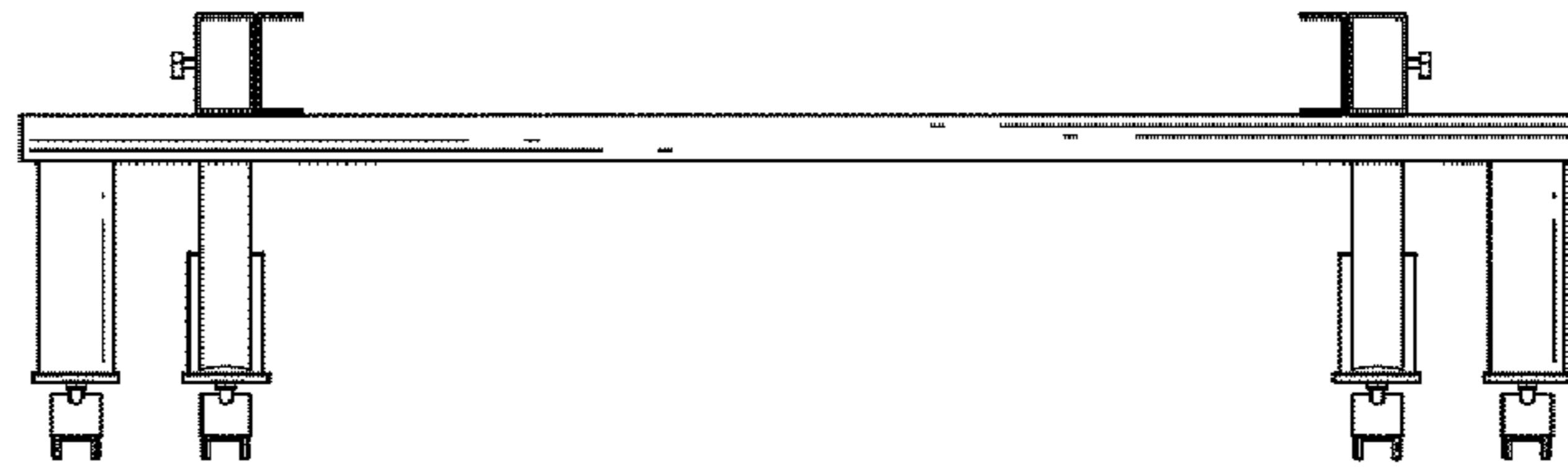


FIG. 4

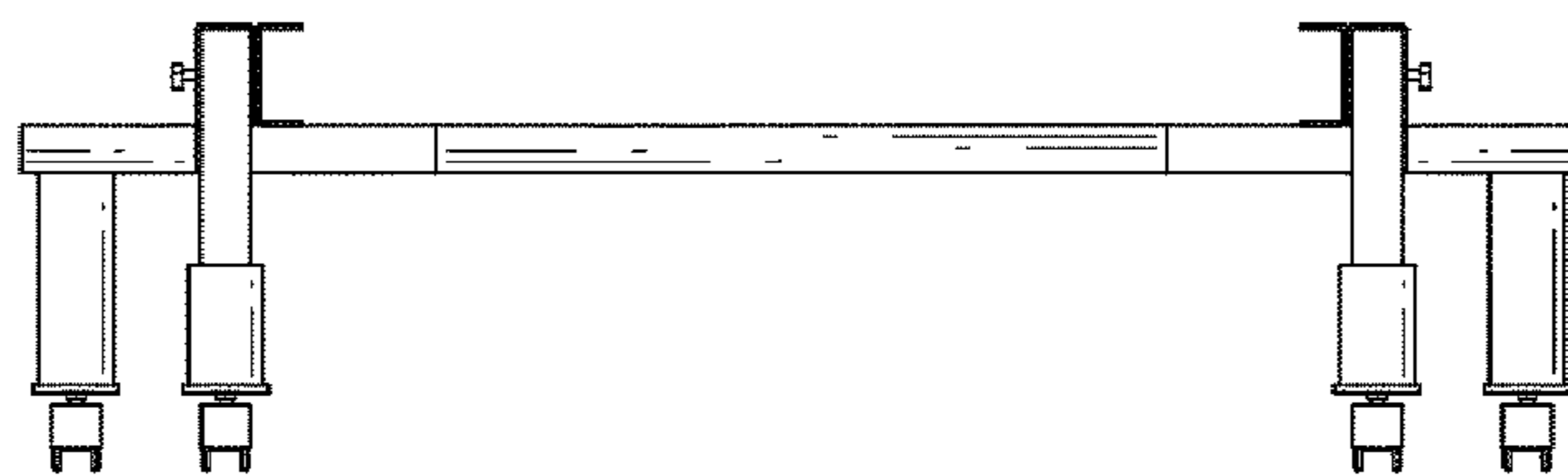


FIG. 5

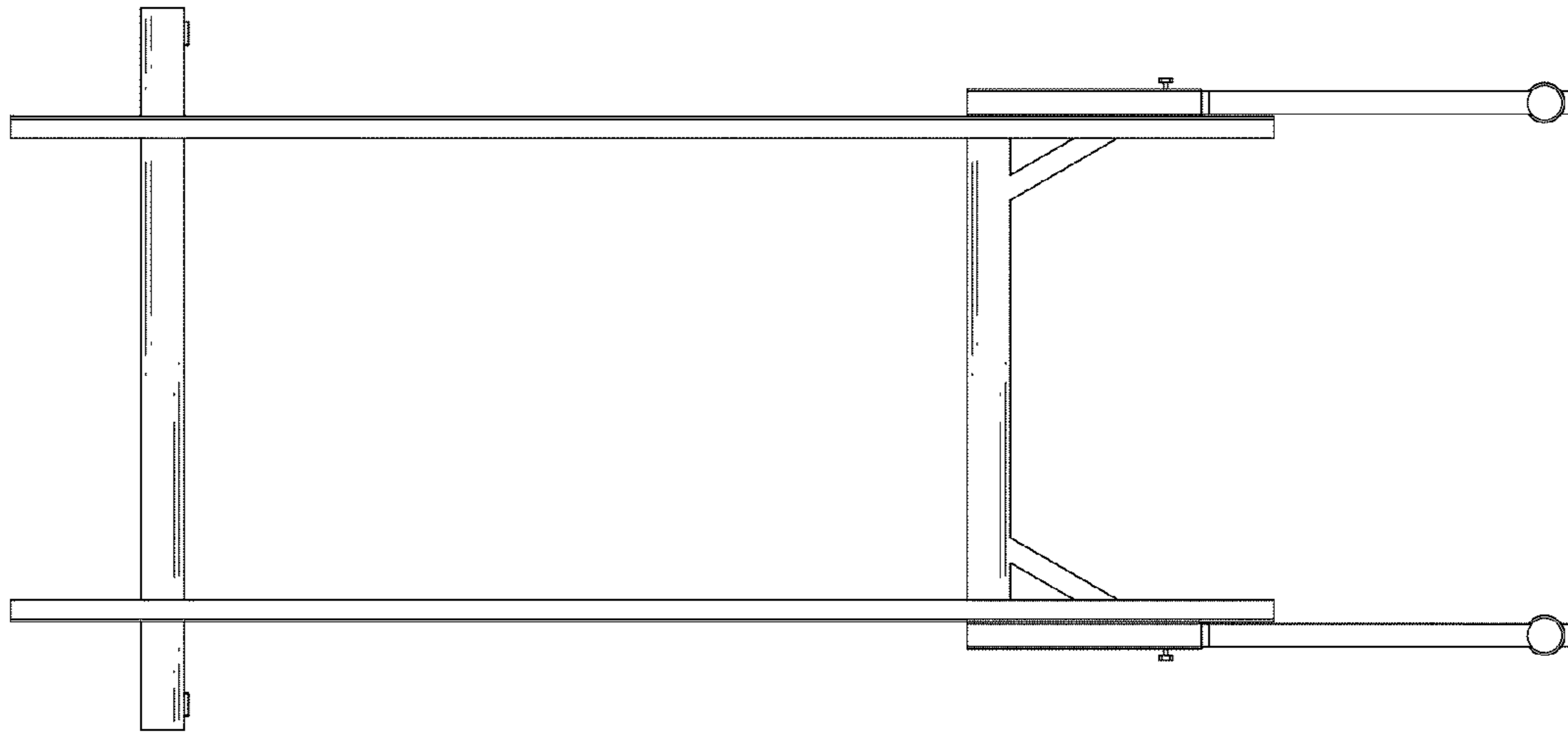


FIG. 6

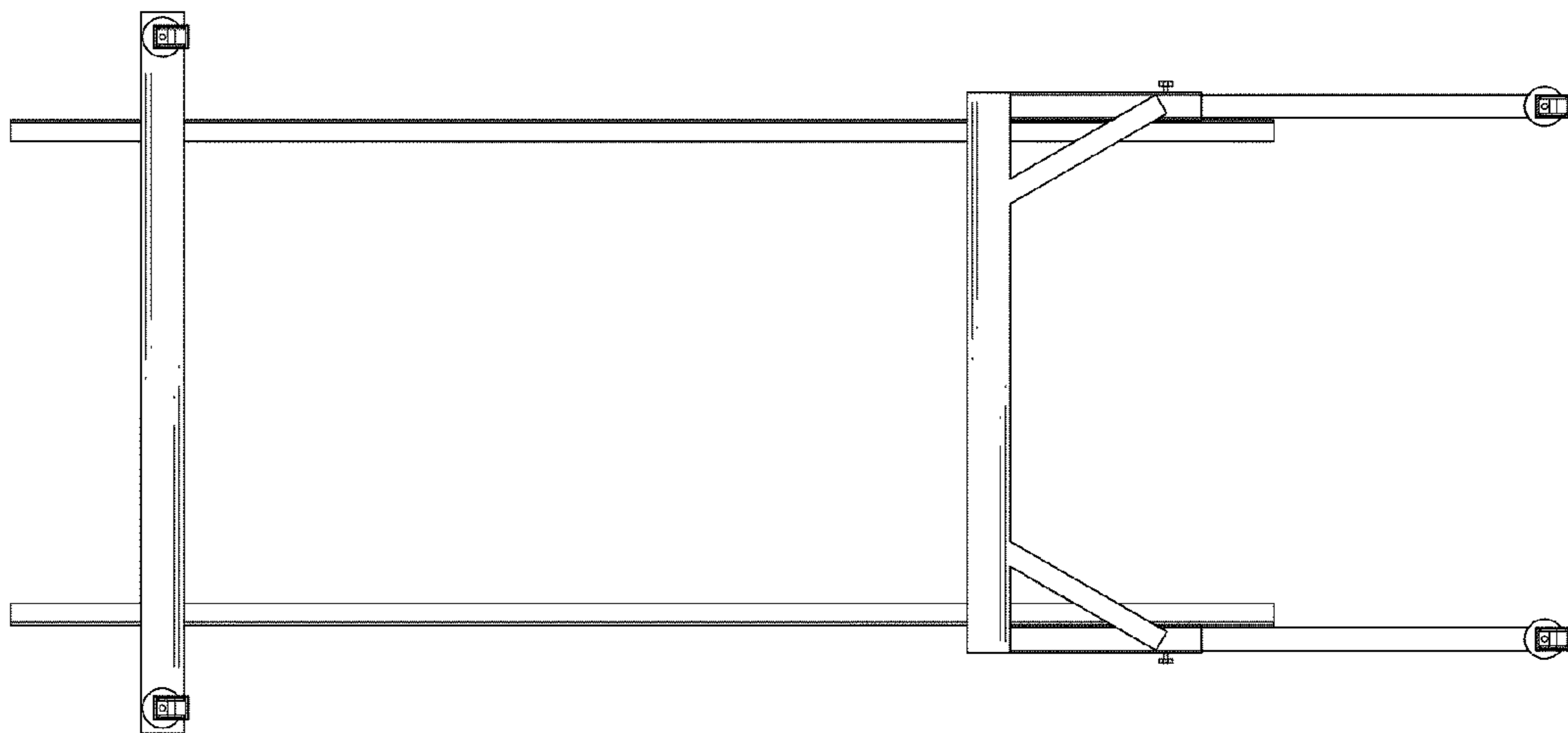


FIG. 7