



US00D646072S

(12) **United States Design Patent**
Katina

(10) **Patent No.:** **US D646,072 S**

(45) **Date of Patent:** **** Oct. 4, 2011**

(54) **CHAIR**

(76) Inventor: **Michael D. Katina**, New York, NY (US)

(**) Term: **14 Years**

(21) Appl. No.: **29/348,270**

(22) Filed: **Dec. 16, 2009**

(51) **LOC (9) Cl.** **06-01**

(52) **U.S. Cl.** **D6/374**

(58) **Field of Classification Search** D6/335-336,
D6/361, 364, 371, 373-375, 381, 500-502;
D21/123; 297/232, 245

See application file for complete search history.

(56) **References Cited**

U.S. PATENT DOCUMENTS

2,940,513	A	6/1960	Holden	
3,742,526	A *	7/1973	Lillard	5/12.1
3,902,759	A *	9/1975	Monteforte et al.	297/452.16
D240,311	S *	6/1976	Owens	D6/375
4,085,970	A	4/1978	Klein	
D273,156	S *	3/1984	Dubbin et al.	D6/334
D286,586	S *	11/1986	Radford	D6/334
D366,966	S *	2/1996	Bonaddio et al.	D6/335
D372,367	S *	8/1996	Bonaddio et al.	D6/375
D372,805	S *	8/1996	Bonaddio et al.	D6/375
D503,855	S *	4/2005	Best	D6/335
D518,301	S *	4/2006	Ng et al.	D6/335
D565,309	S *	4/2008	Cramer et al.	D6/334
D588,368	S *	3/2009	McCoy et al.	D6/344

D621,628	S *	8/2010	Saul	D6/335
D623,427	S *	9/2010	Parson	D6/334
D632,503	S *	2/2011	Saul	D6/335

* cited by examiner

Primary Examiner — Elizabeth Albert

Assistant Examiner — Kelley Donnelly

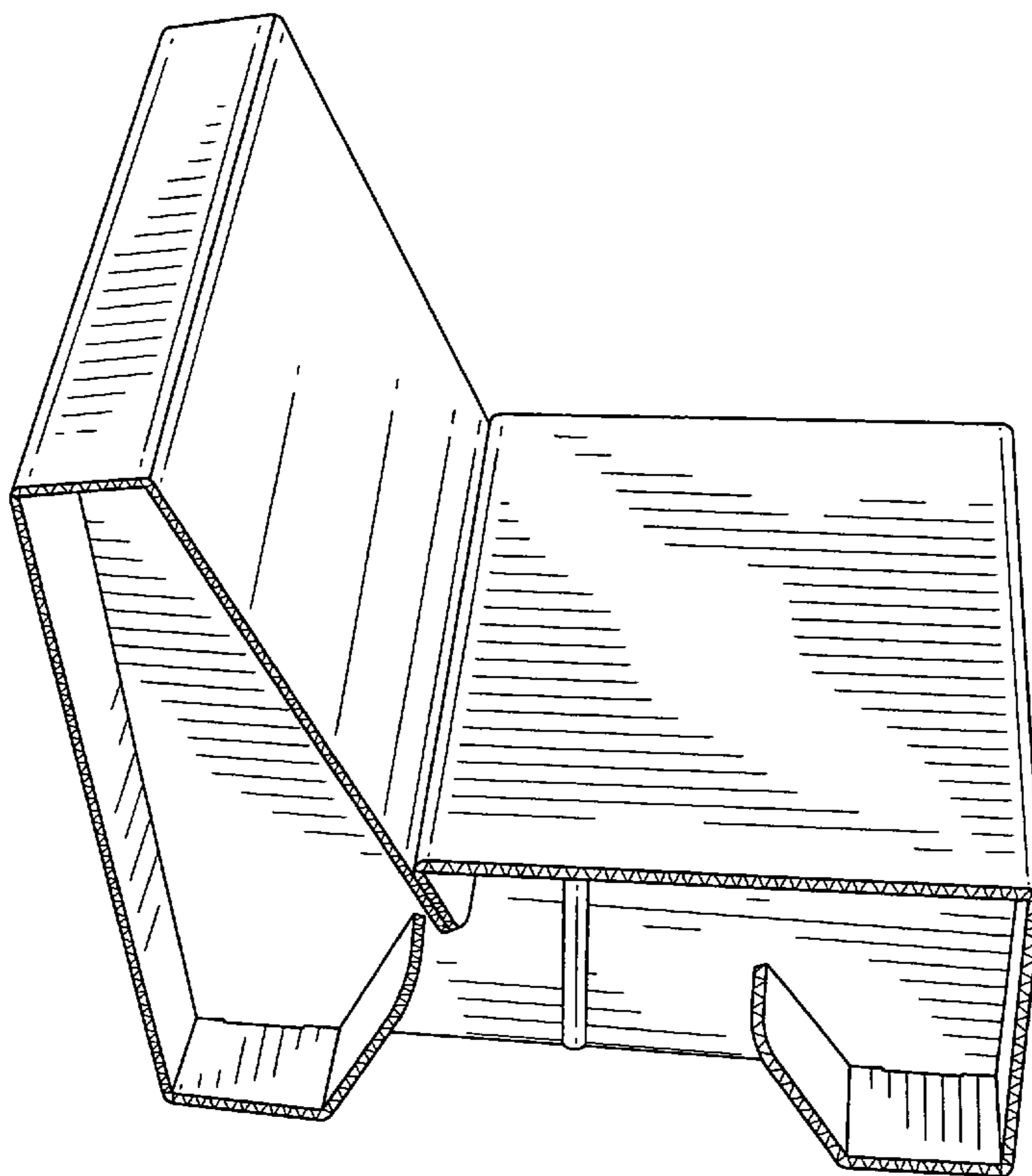
(57) **CLAIM**

I Claim the ornamental design for a chair, as shown and described.

DESCRIPTION

FIG. 1 is a perspective view of the chair;
 FIG. 2 is a front view thereof;
 FIG. 3 is a rear view thereof;
 FIG. 4 is a top view thereof;
 FIG. 5 is a bottom view thereof;
 FIG. 6 is a right side elevational view thereof, the left side being a mirror image;
 FIG. 7 is a right side elevational view of the right base of the "chair", shown without the other parts for convenience;
 FIG. 8 is a left side elevational view shown without the other parts for convenience;
 FIG. 9 is a plan view of the back panel of the chair shown without the other parts for convenience; and,
 FIG. 10 is a plan view of the seat panel of the chair shown without the other parts for convenience.

1 Claim, 5 Drawing Sheets



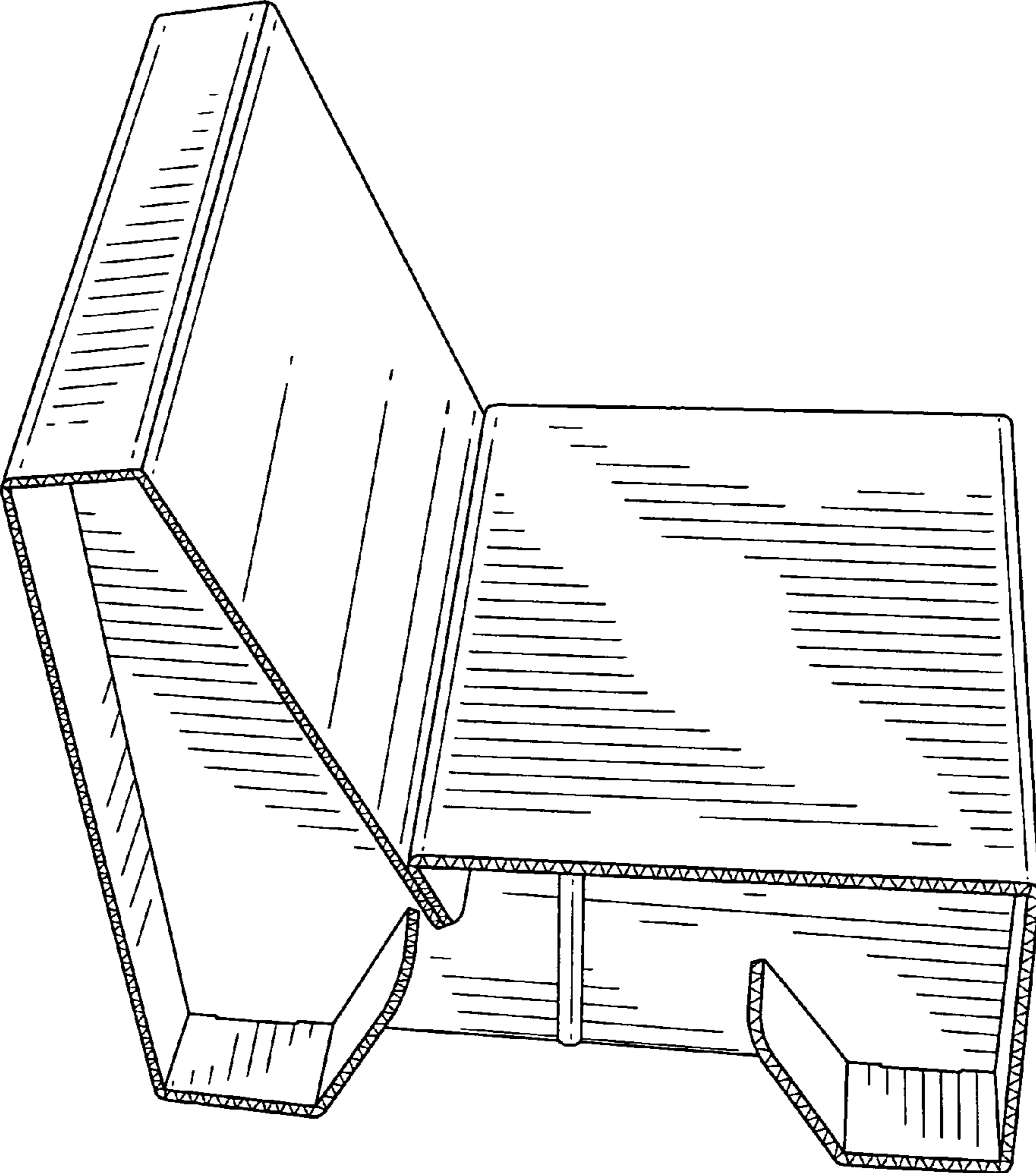


FIG. 1

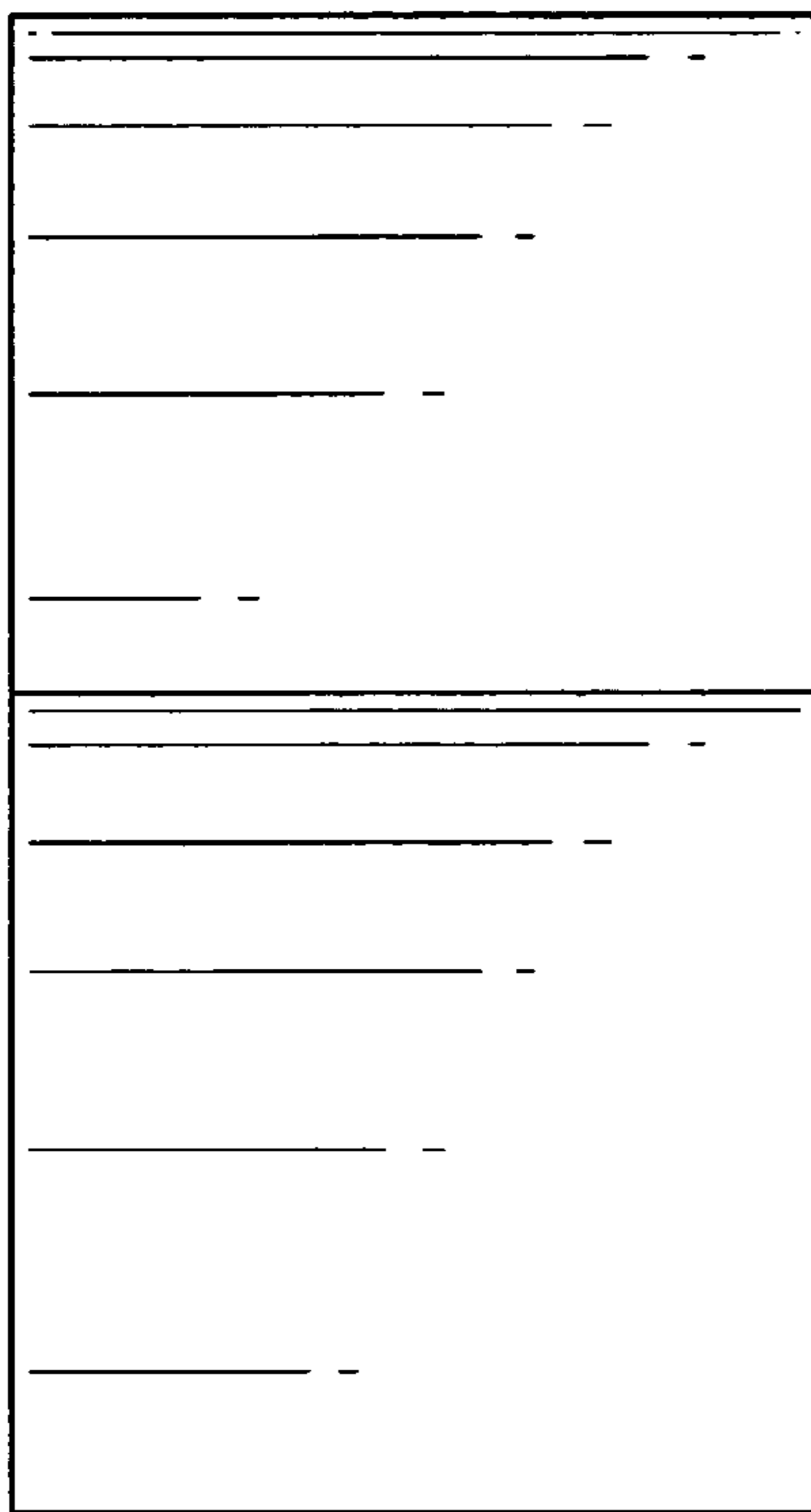


FIG. 2

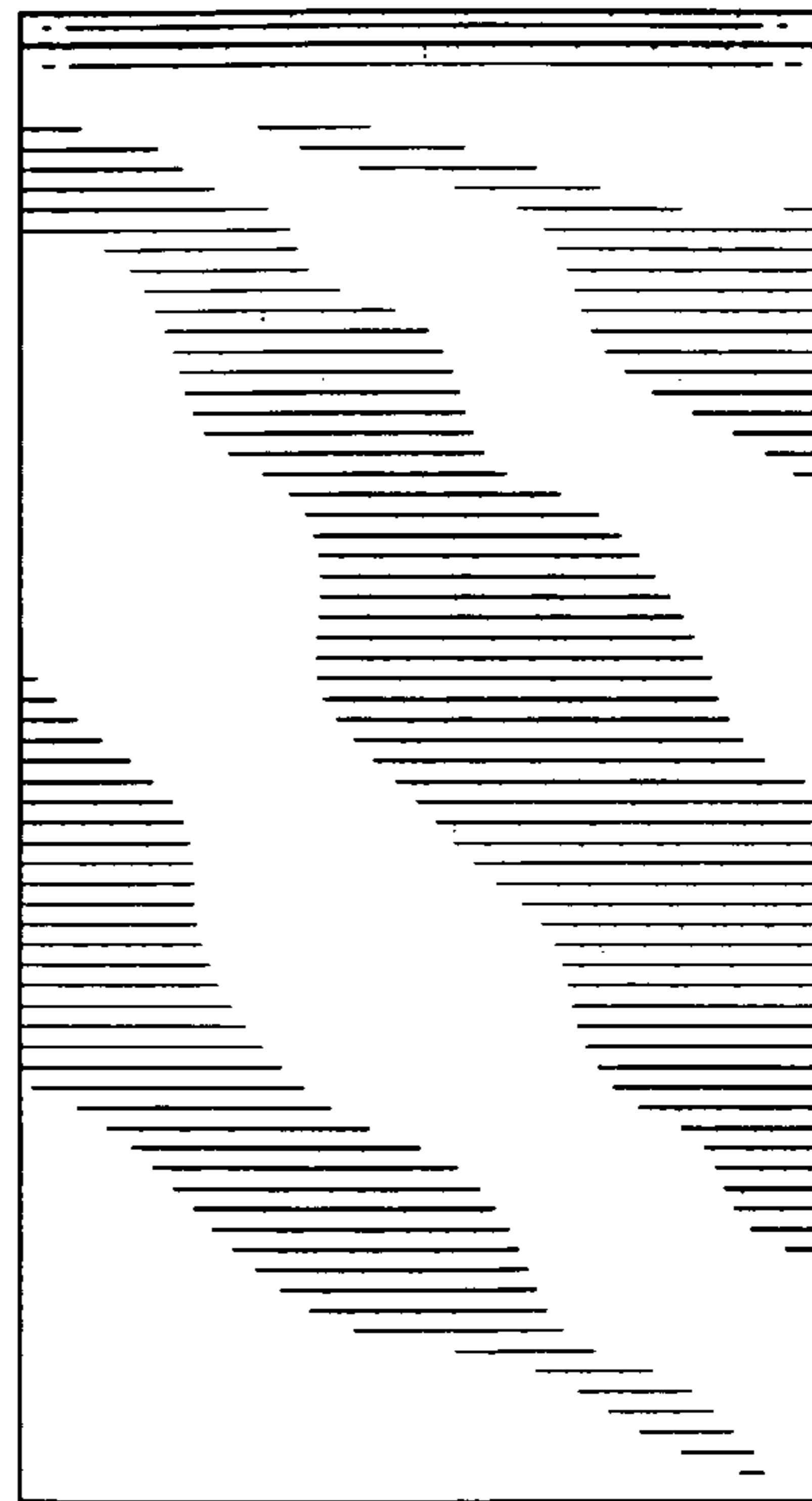


FIG. 3

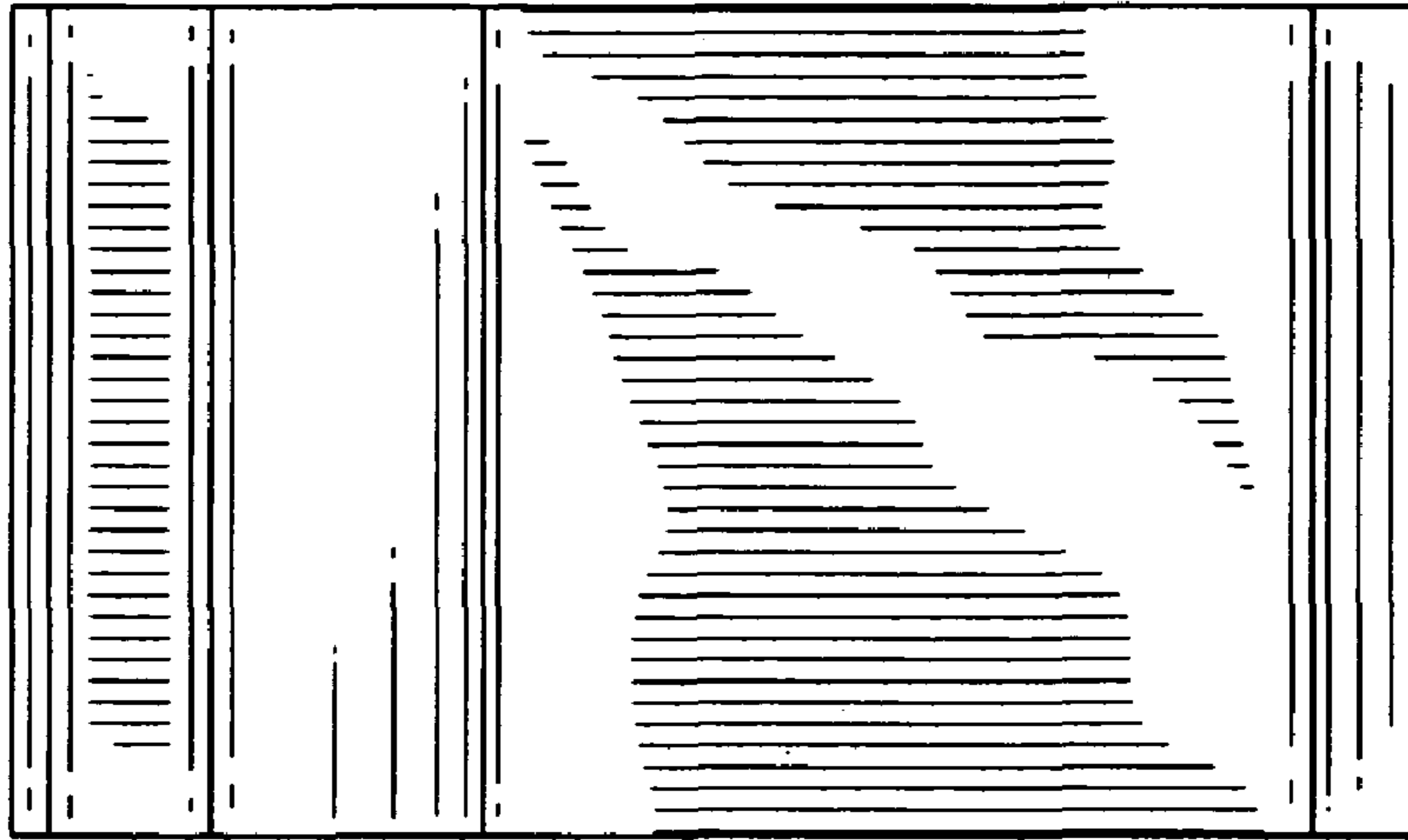


FIG. 4

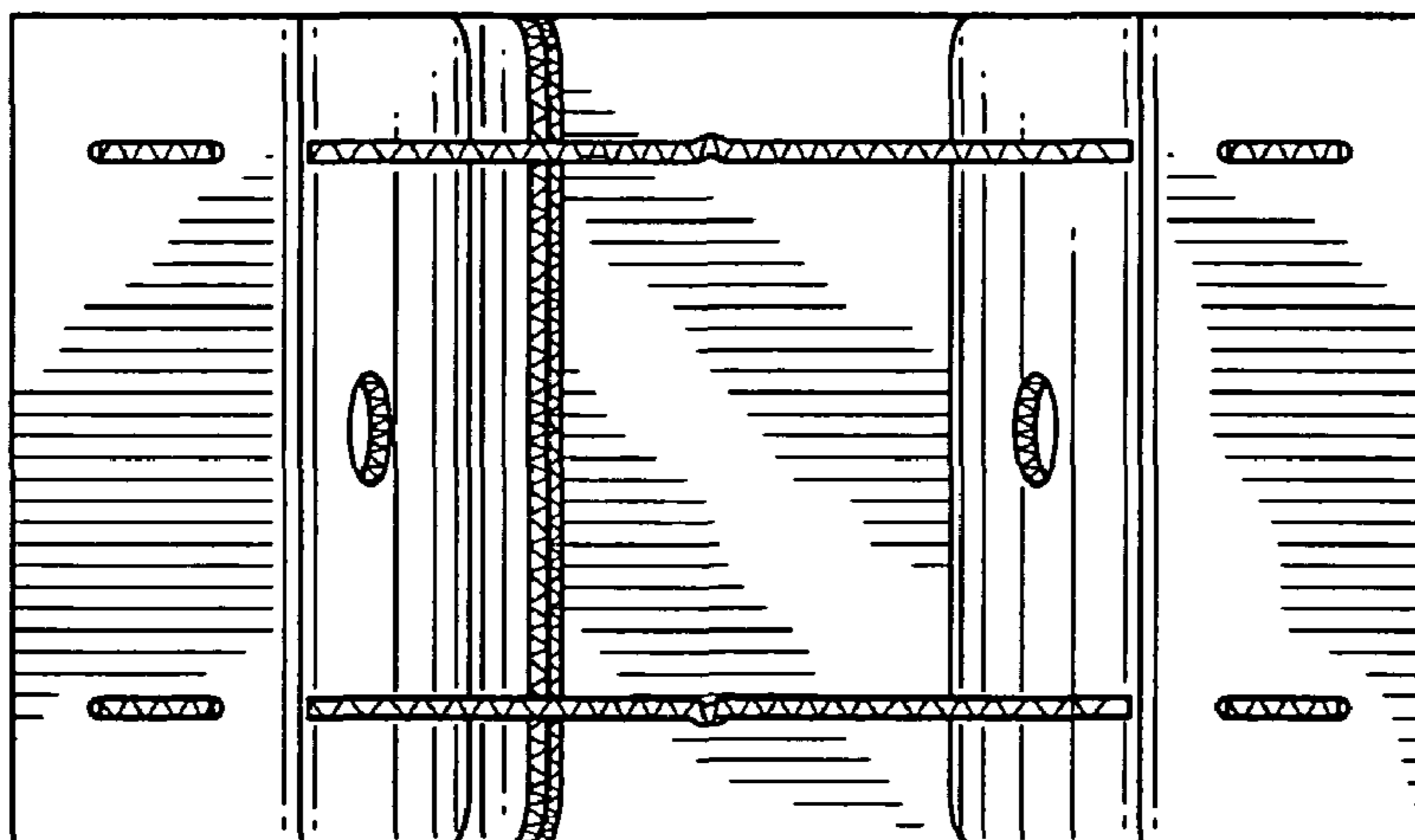


FIG. 5

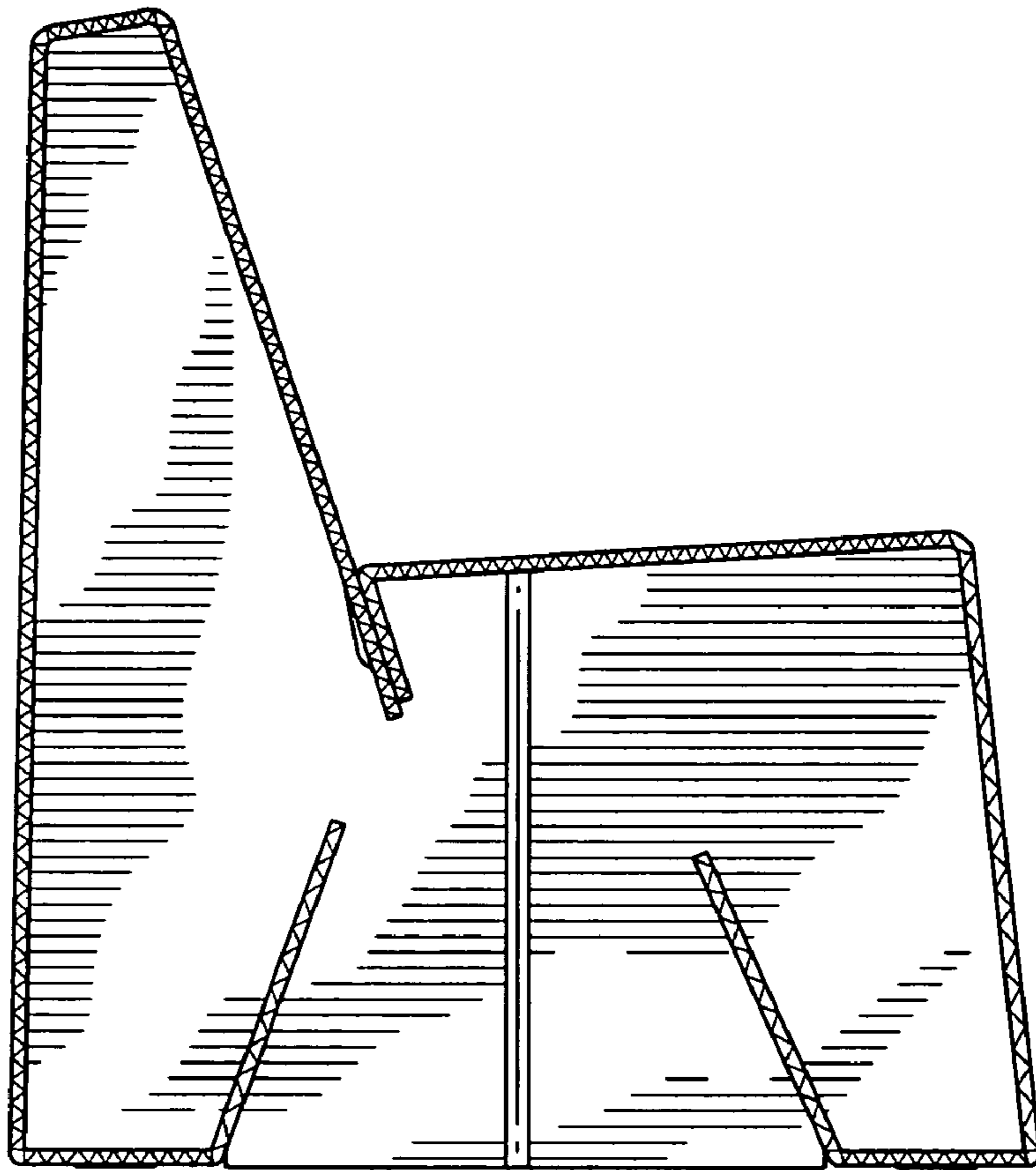


FIG. 6

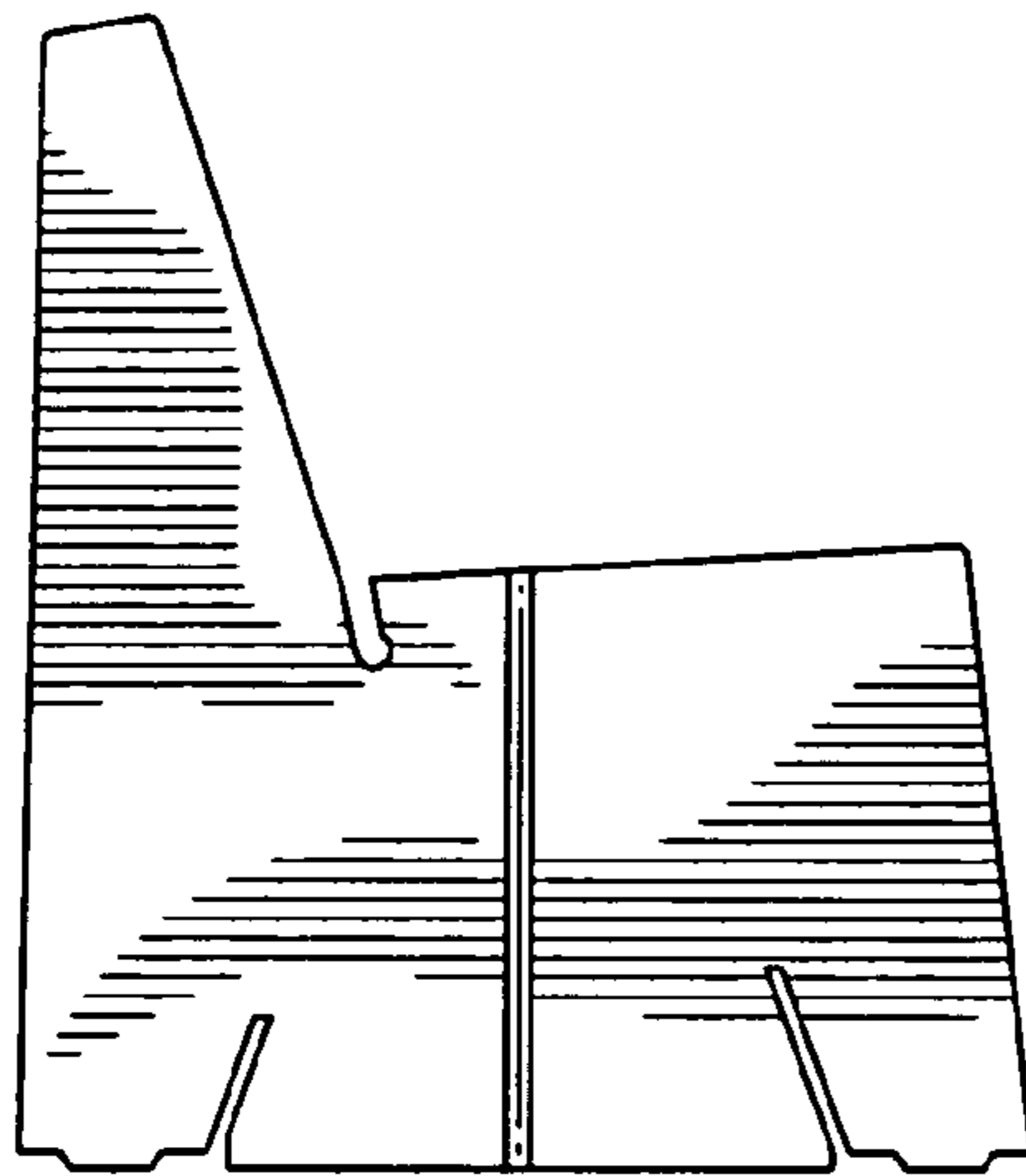


FIG. 7

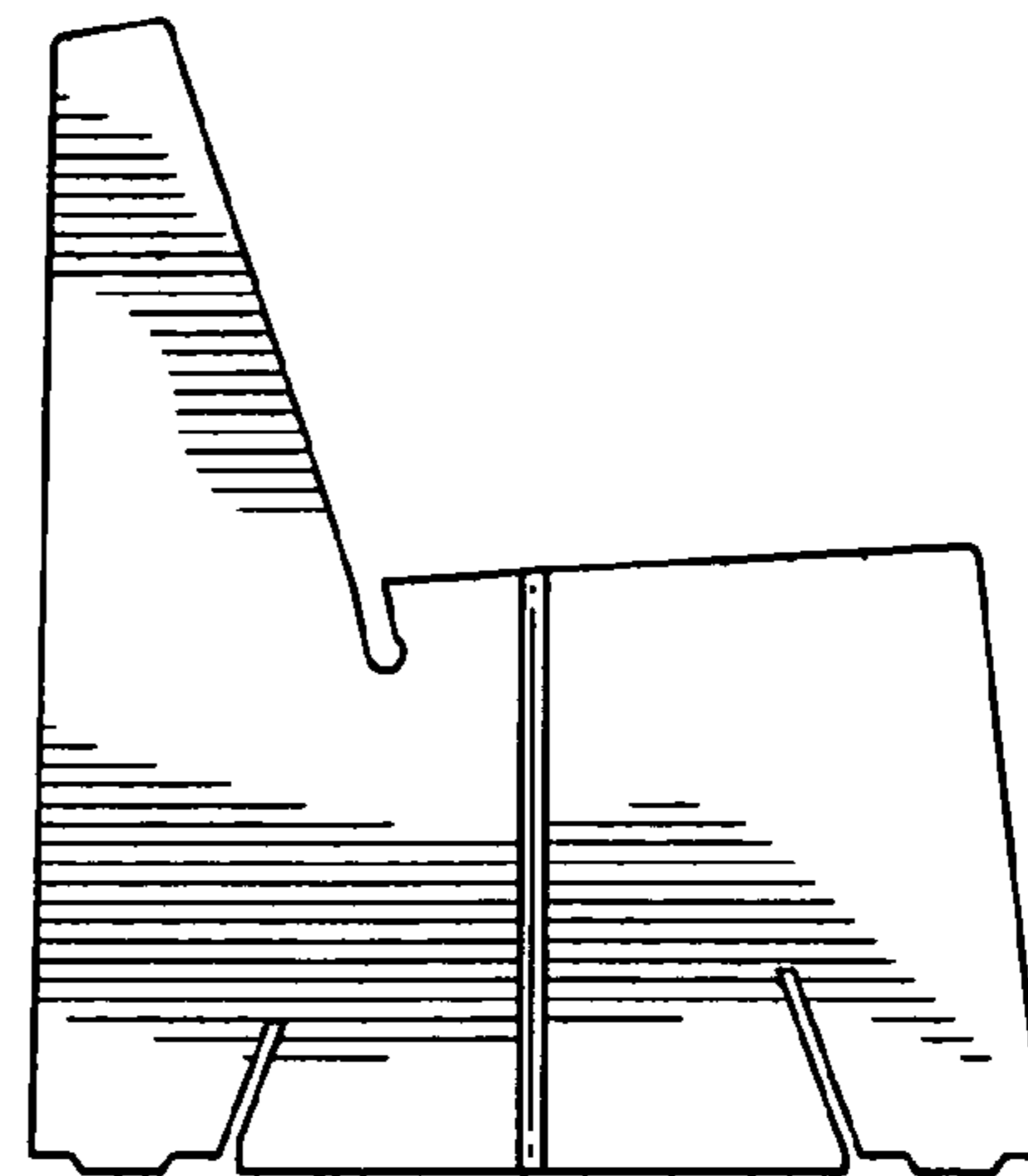


FIG. 8

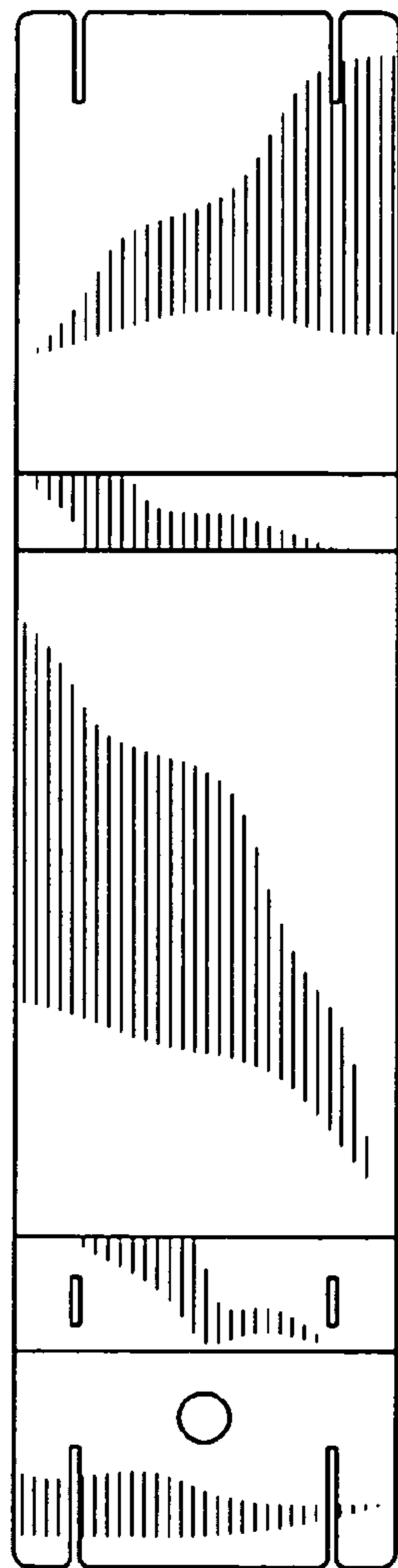


FIG. 9

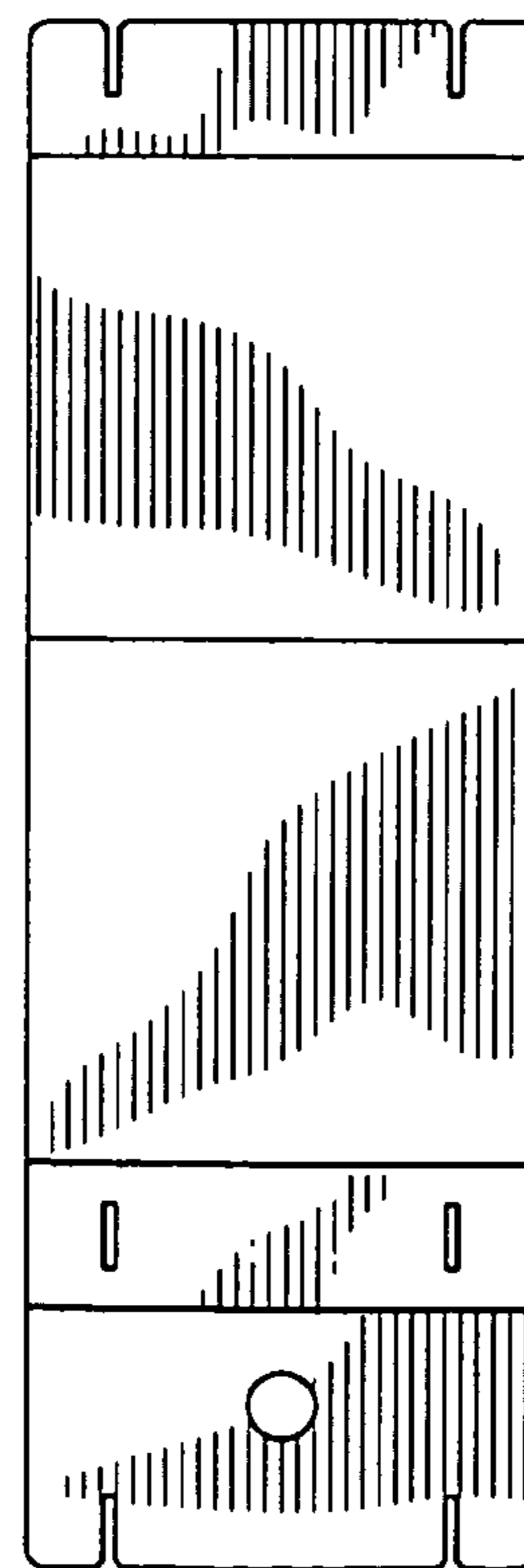


FIG. 10