



US00D646068S

(12) **United States Design Patent**
Bogdan et al.

(10) **Patent No.:** **US D646,068 S**

(45) **Date of Patent:** **** Oct. 4, 2011**

(54) **CHAIR**

(75) Inventors: **Chad M. Bogdan**, St. Paul, MN (US);
Becca J. Koehler, Minneapolis, MN
(US); **Elizabeth J. Schlotfeldt**, St. Paul,
MN (US); **Elizabeth R. Tremblay**,
Minneapolis, MN (US); **Stacy L. Abel**,
Maple Grove, MN (US)

(73) Assignee: **Target Brands, Inc.**, Minneapolis, MN
(US)

(**) Term: **14 Years**

(21) Appl. No.: **29/366,201**

(22) Filed: **Jul. 21, 2010**

(51) **LOC (9) Cl.** **06-01**

(52) **U.S. Cl.** **D6/369**

(58) **Field of Classification Search** D6/310,
D6/334-336, 348, 358-381, 500-502; 280/47.4;
297/31, 239, 271.6, 11.2, 411.27, 411.28,
297/440.13, 440.15, 445.1, 446.1, 452.13

See application file for complete search history.

(56) **References Cited**

U.S. PATENT DOCUMENTS

D66,525	S	*	1/1925	Wurdack et. al.	D6/374
D68,027	S	*	8/1925	Wurdack	D6/370
D78,926	S	*	7/1929	Gottlob	D6/370
D84,585	S	*	7/1931	Ledder et. al.	D6/370
D109,239	S	*	4/1938	Wolpin	D6/370
2,222,296	A	*	11/1940	Luiken	297/31
2,385,072	A	*	9/1945	Gray	297/31
D148,391	S	*	1/1948	Plourde et. al.	D6/370
2,490,884	A	*	12/1949	Rau	297/440.15
2,600,626	A	*	6/1952	Ellingson	297/31
2,650,652	A	*	9/1953	Watson	297/31
4,635,998	A	*	1/1987	Hickey	297/31
D295,927	S	*	5/1988	Hickey	D6/370
4,976,492	A	*	12/1990	Ziegler	297/31
5,120,071	A	*	6/1992	Thibault et al.	280/47.4
D334,299	S	*	3/1993	Embree	D6/379

D350,860	S	*	9/1994	Greeson	D6/370
5,911,469	A	*	6/1999	Young	297/31
D413,452	S	*	9/1999	Rhienen	D6/370
D413,736	S	*	9/1999	Jackson	D6/367
D425,719	S	*	5/2000	Chalmers et al.	D6/370
D509,970	S	*	9/2005	Adams	D6/368
D570,127	S	*	6/2008	Spink	D6/370
7,401,854	B2	*	7/2008	Adams	297/239
D607,223	S		1/2010	Adams et al.		

OTHER PUBLICATIONS

http://farm1.static.flickr.com/106/296519207_aa90e53d3f.jpg, p. 1
of 1, (last visited Jul. 1, 2010).

3 D Furniture Design, "Adirondack chair," p. 1 of 1, <http://www.3dfurnituredesign.com/Chair/adirondack%20chair.jpg> (last visited
Jul. 1, 2010).

[http://4.bp.blogspot.com/_EsrRVgKJlbc/ScubRGmybTI/
AAAAAAAAAHVc/fd7oQ_Nzd_c/s400/100_5826.JPG](http://4.bp.blogspot.com/_EsrRVgKJlbc/ScubRGmybTI/AAAAAAAAAHVc/fd7oQ_Nzd_c/s400/100_5826.JPG), p. 1 of 1,
(last visited Jul. 1, 2010).

* cited by examiner

Primary Examiner — Ricky Pham

(74) *Attorney, Agent, or Firm* — Leanne Taveggia Farrell;
Westman, Champlin & Kelly, P.A.

(57) **CLAIM**

The ornamental design for a chair, as shown and described.

DESCRIPTION

FIG. 1A is a perspective view of the chair.

FIG. 1B is an enlarged view of the woven pattern located on
the surfaces of the chair.

FIG. 2 is a left side view of the chair.

FIG. 3 is a right side view of the chair.

FIG. 4 is a top view of the chair.

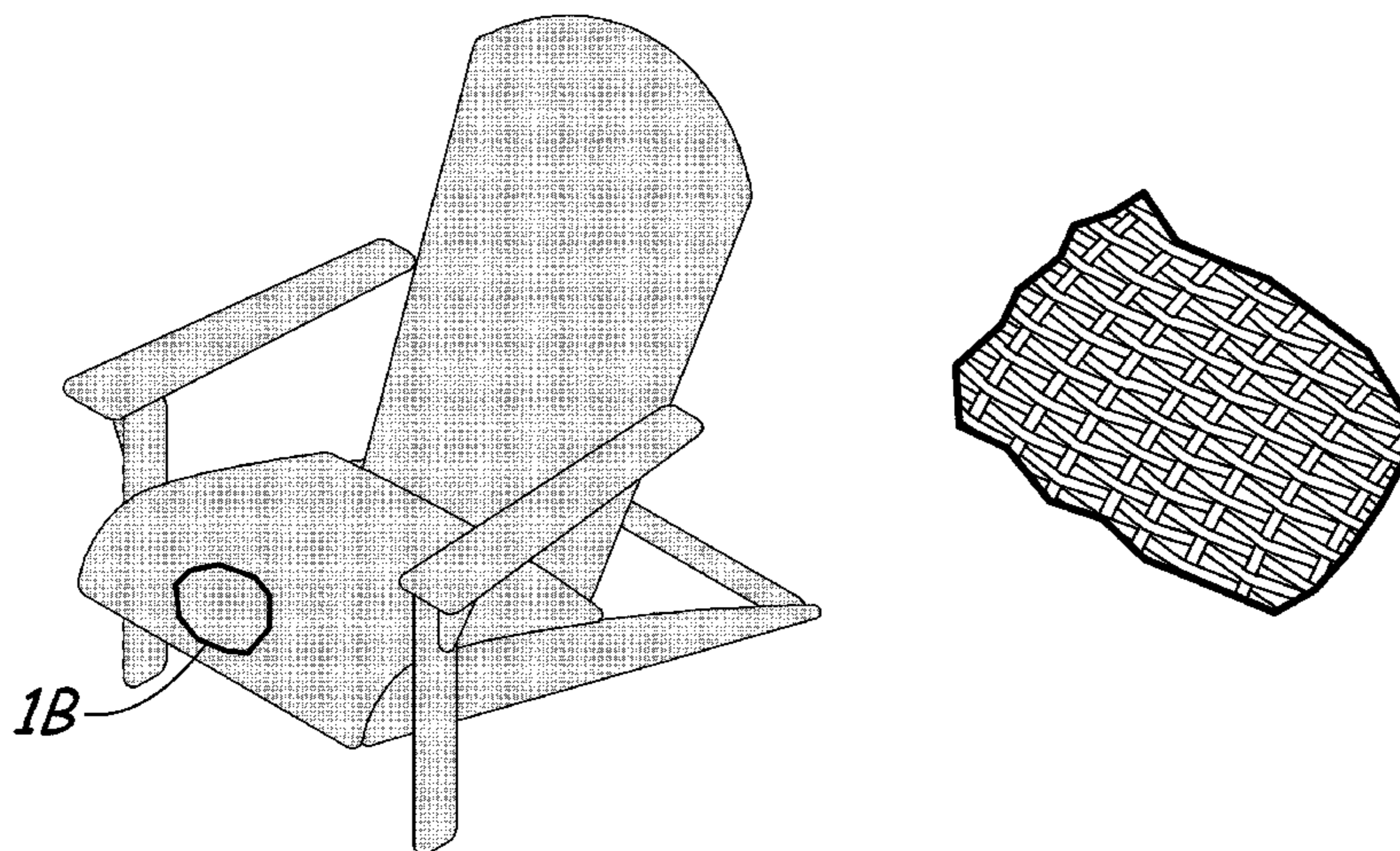
FIG. 5 is a bottom view of the chair.

FIG. 6 is a front elevational view of the chair; and,

FIG. 7 is a rear elevational view of the chair.

The dotted fill in FIGS. 1A and 2-7 represents the woven
pattern illustrated in FIG. 1B, which forms part of the claimed
design.

1 Claim, 4 Drawing Sheets



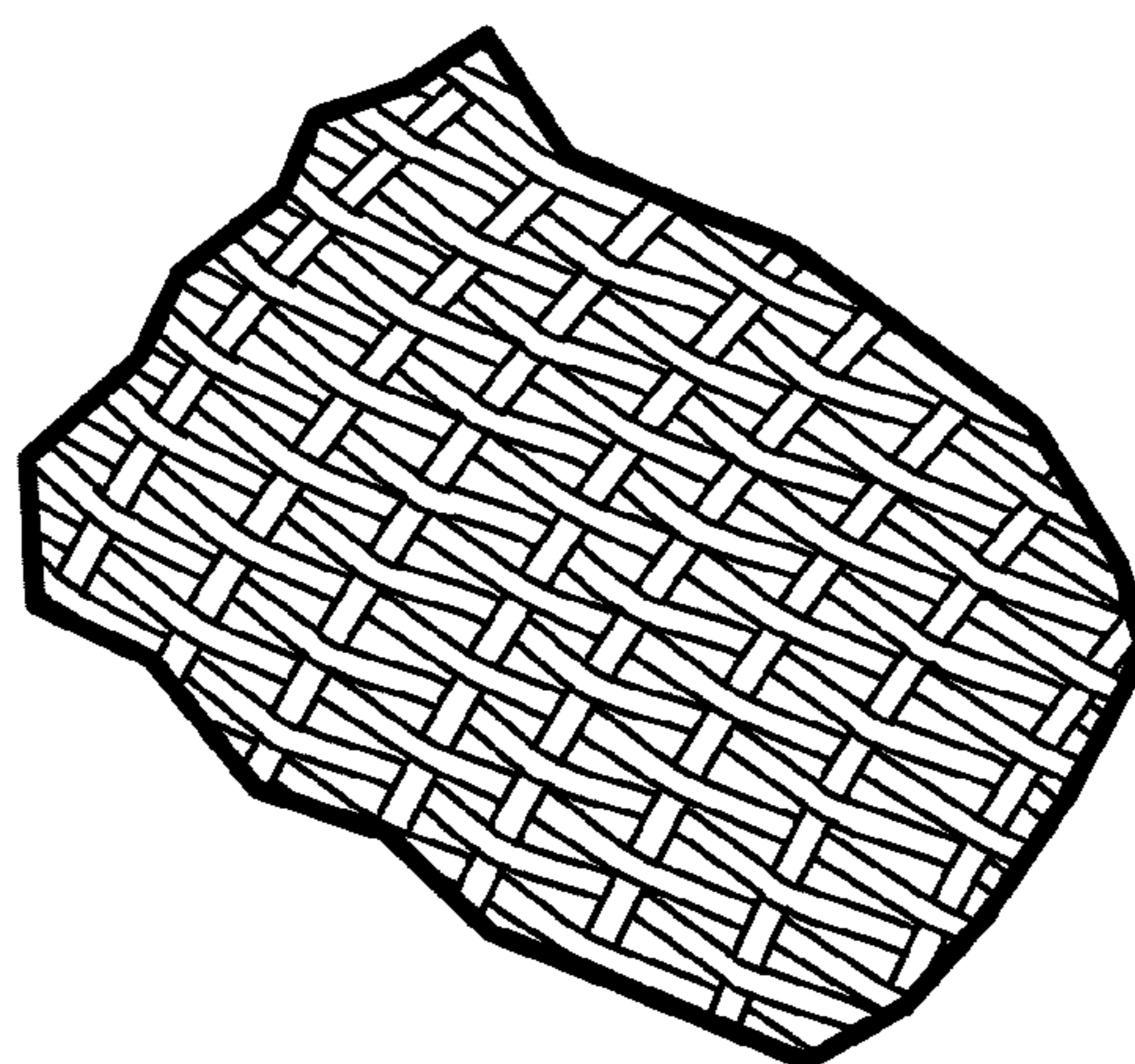
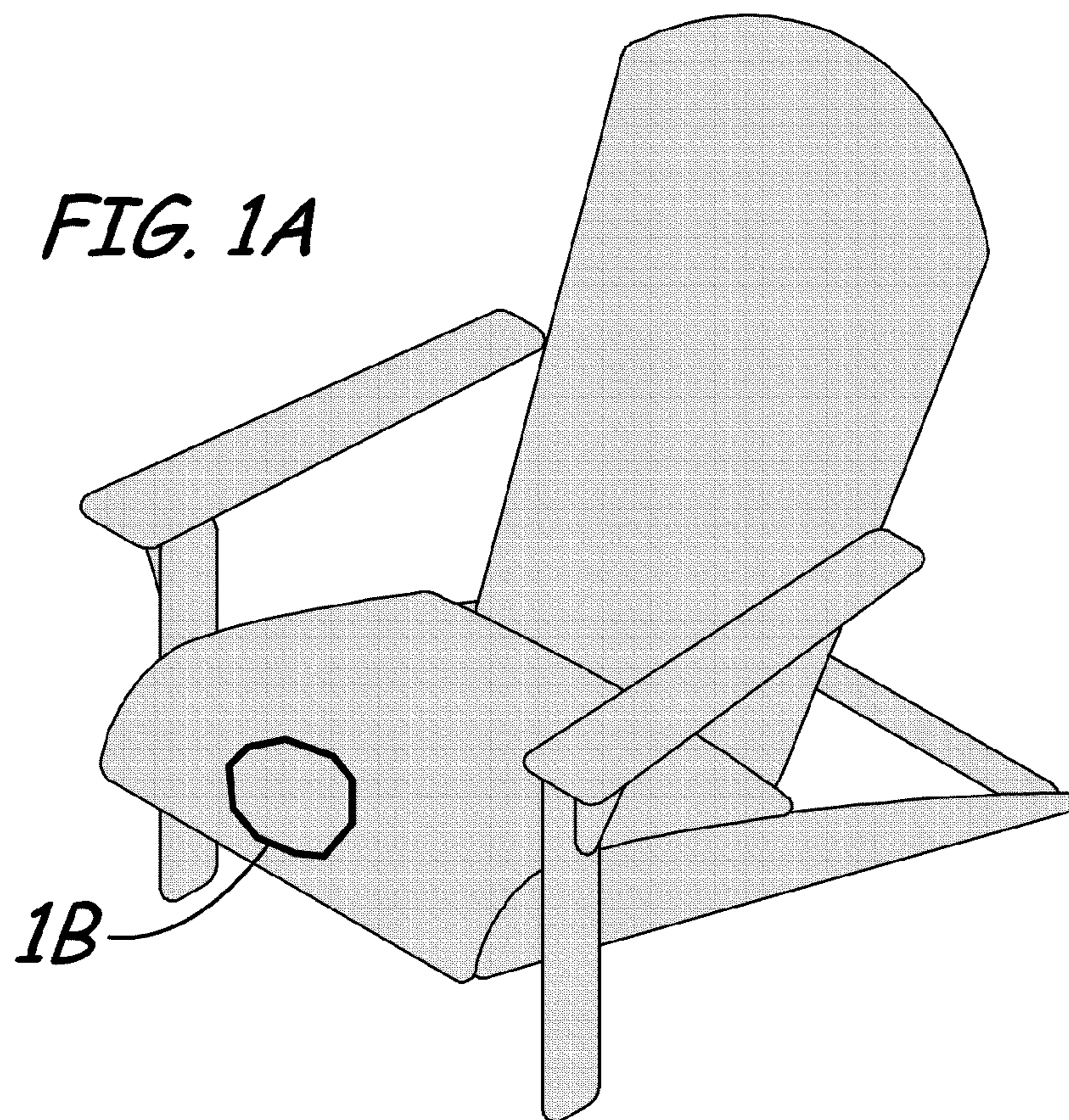


FIG. 1B

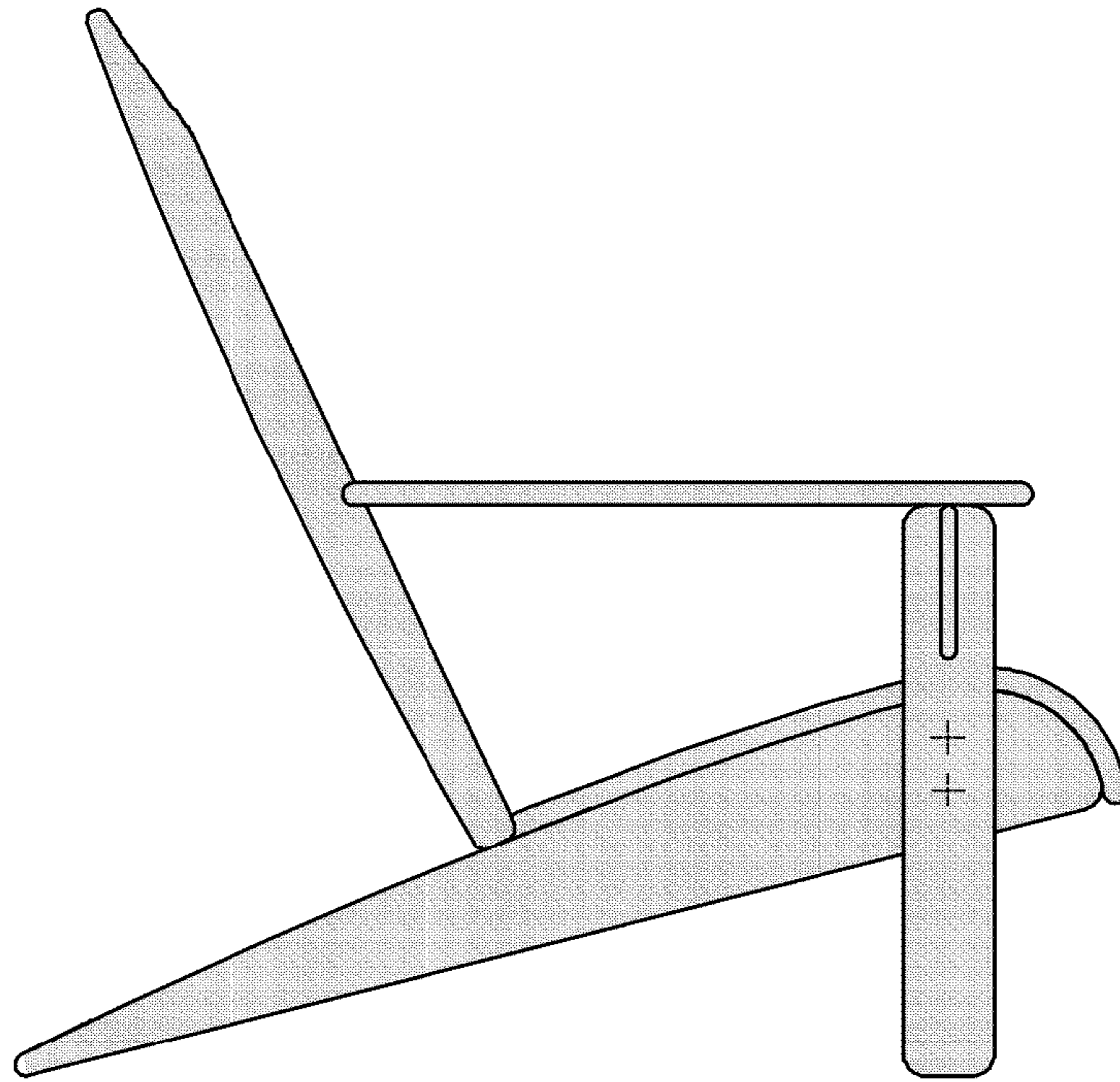


FIG. 2

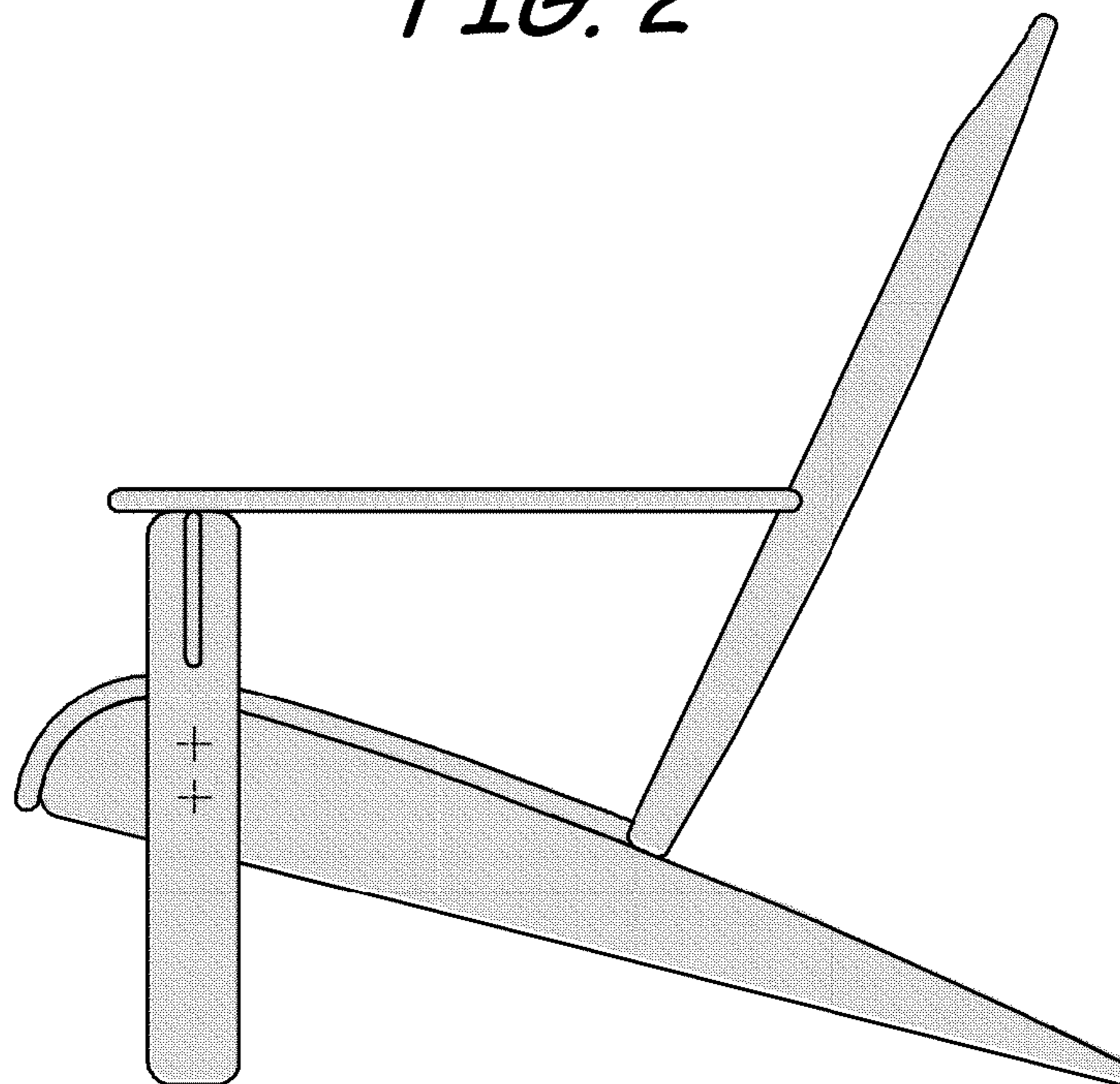


FIG. 3

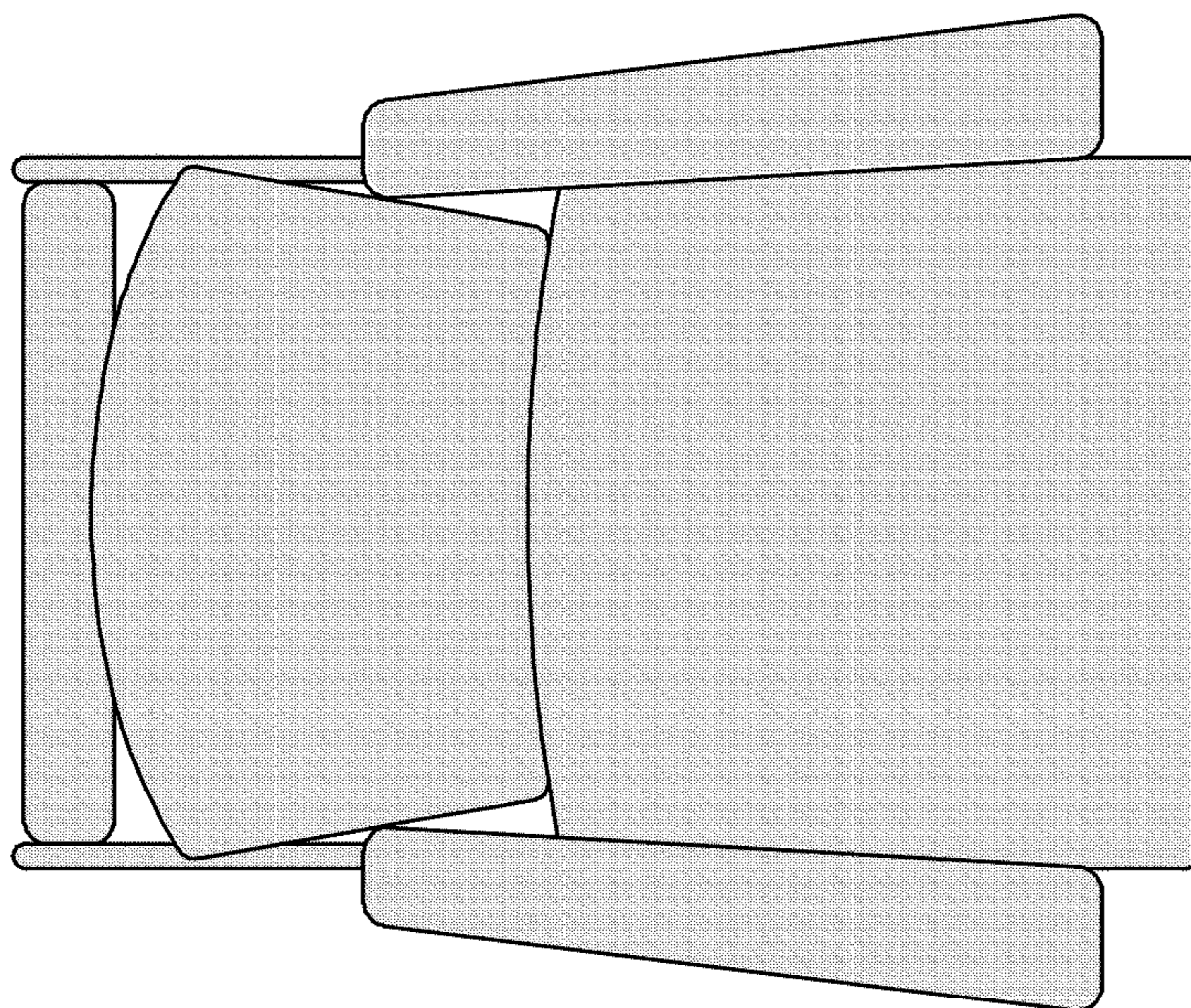


FIG. 4

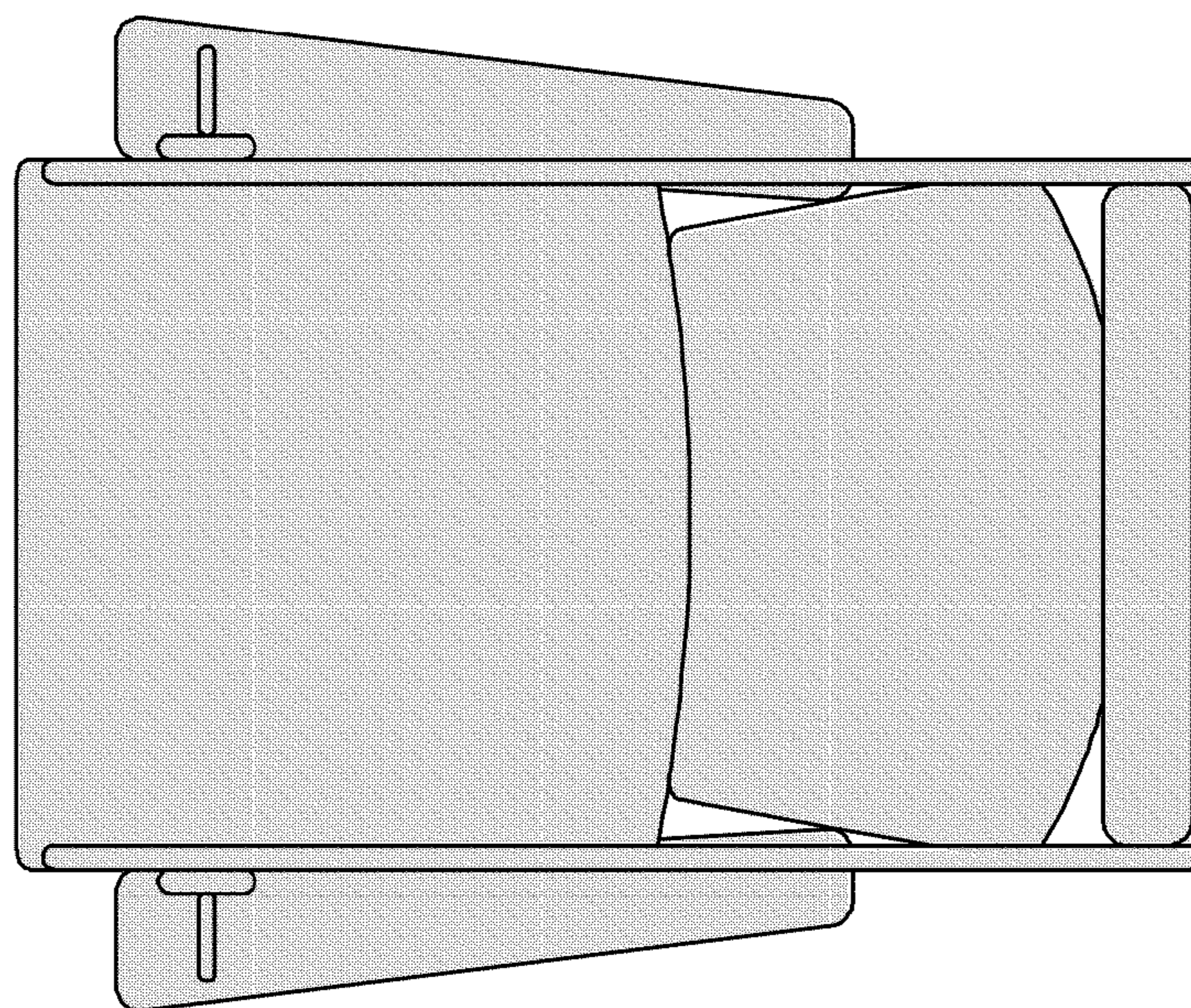


FIG. 5

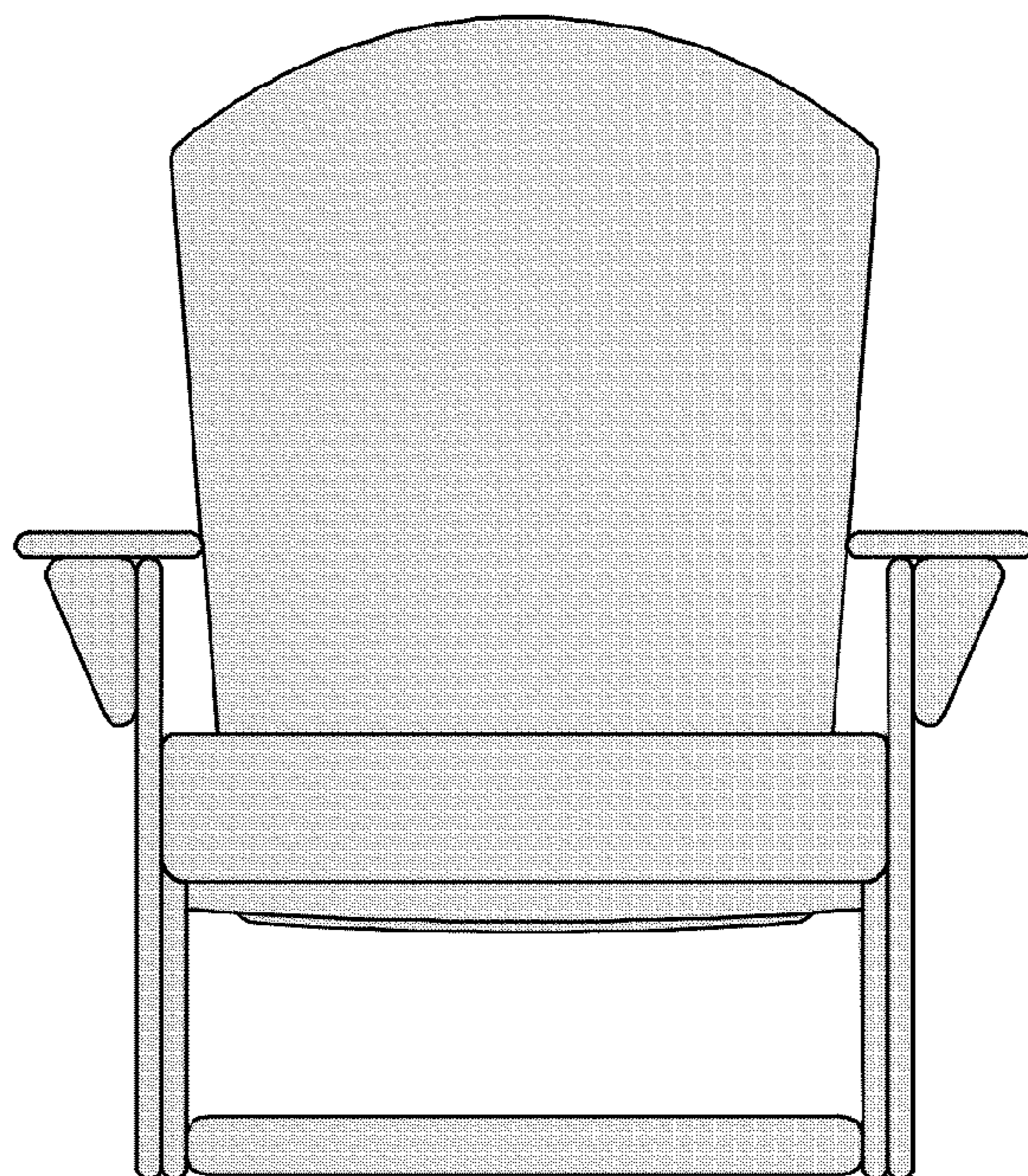


FIG. 6

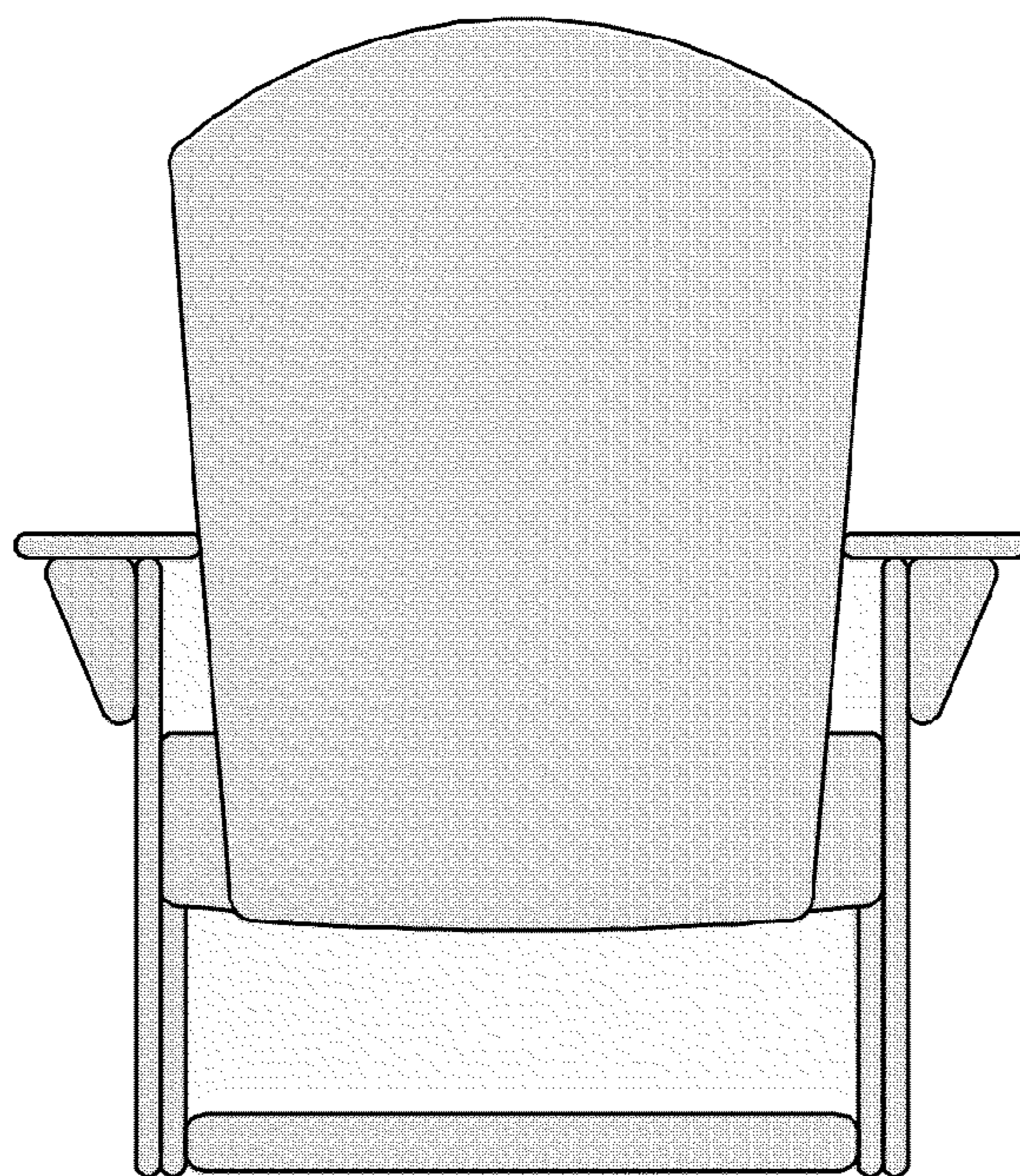


FIG. 7