



US00D646067S

(12) **United States Design Patent**
Frnier

(10) **Patent No.:** **US D646,067 S**

(45) **Date of Patent:** **** Oct. 4, 2011**

(54) **CHAIR**

(75) Inventor: **Richard Frnier**, Long Beach, CA (US)

(73) Assignee: **Dedon GmbH**, Lüneburg (DE)

(**) Term: **14 Years**

(21) Appl. No.: **29/378,052**

(22) Filed: **Oct. 28, 2010**

(30) **Foreign Application Priority Data**

Aug. 5, 2010 (EM) 001740267

(51) **LOC (9) Cl.** **06-01**

(52) **U.S. Cl.** **D6/361**

(58) **Field of Classification Search** D6/334,
D6/335, 336, 361, 369, 370, 374, 379, 380,
D6/500-502; 297/232, 377, 423.1, 451.9,
297/452.64

See application file for complete search history.

(56) **References Cited**

U.S. PATENT DOCUMENTS

D181,152 S *	10/1957	Jones	D6/361
D182,842 S *	5/1958	Lubberts et al.	D6/361
D194,461 S *	1/1963	Schultz	D6/361
D201,750 S *	7/1965	Melchior	D6/335
D202,887 S *	11/1965	Melchior	D6/361
D465,098 S *	11/2002	Kreiss	D6/361
D486,654 S *	2/2004	Weaver	D6/361

* cited by examiner

Primary Examiner — Mimoso De

(74) *Attorney, Agent, or Firm* — C. Brandon Browning;
Maynard Cooper & Gale, PC

(57) **CLAIM**

The ornamental design for a chair, as shown and described.

DESCRIPTION

FIG. 1 is a front perspective view of a chair in accordance with the present invention.

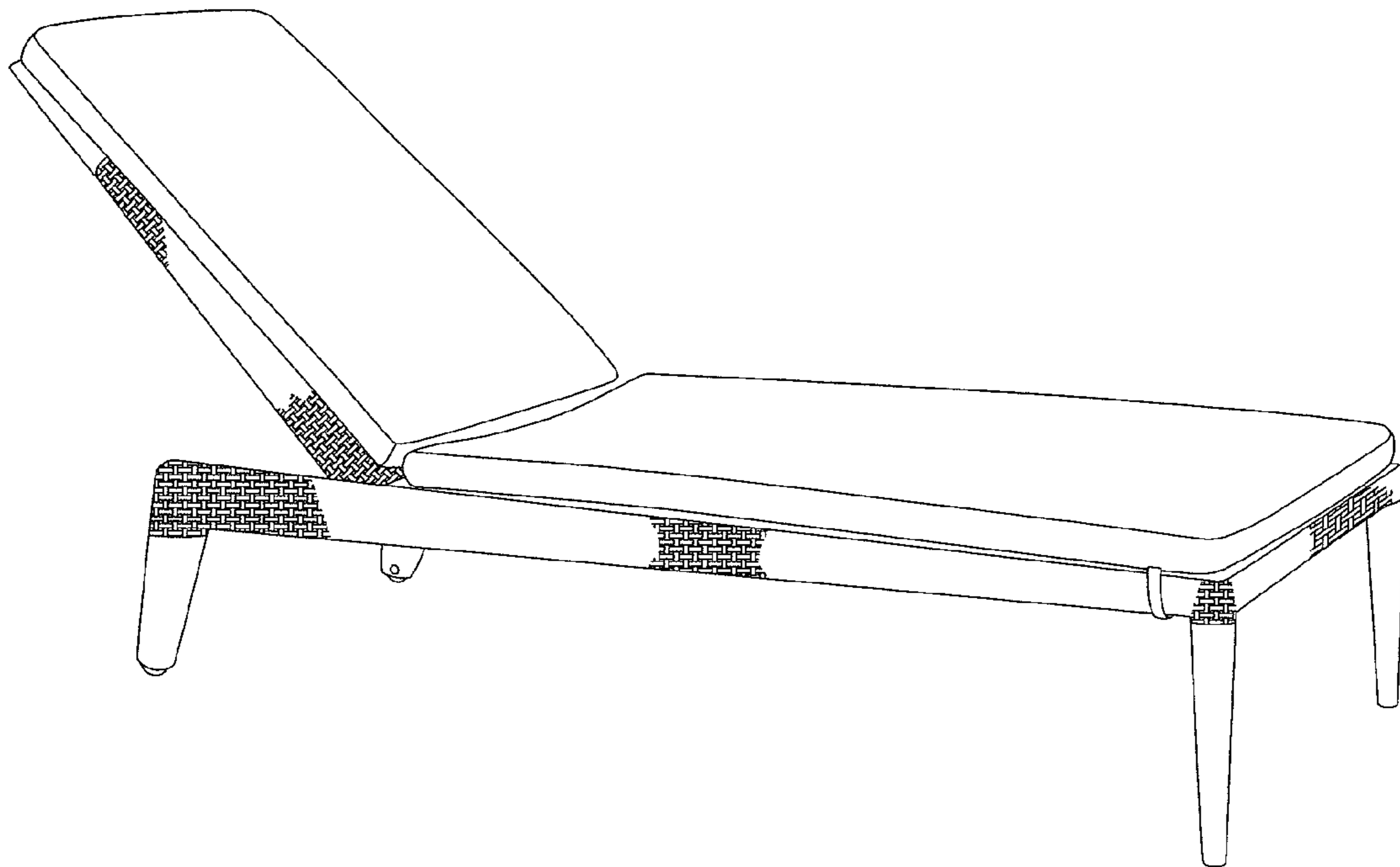
FIG. 2 is a side elevational view of the chair of FIG. 1.

FIG. 3 is a front elevational view of the chair of FIG. 1.

FIG. 4 is a rear elevational view of the chair of FIG. 1; and, FIG. 5 is a top plan view of the chair of FIG. 1.

The fragmented depictions of weave pattern shown in the views are understood to repeat throughout the areas shown.

1 Claim, 4 Drawing Sheets



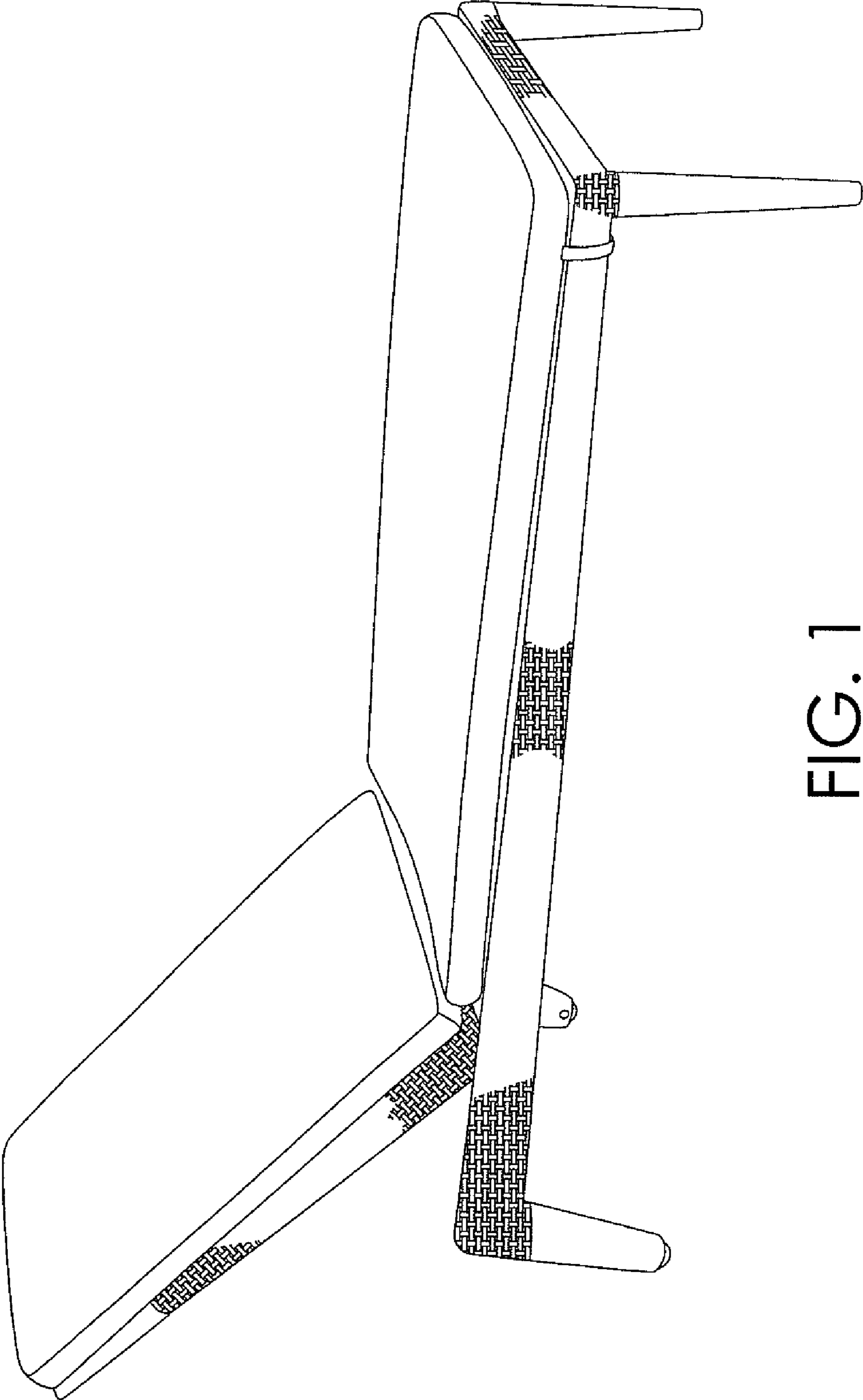


FIG. 1

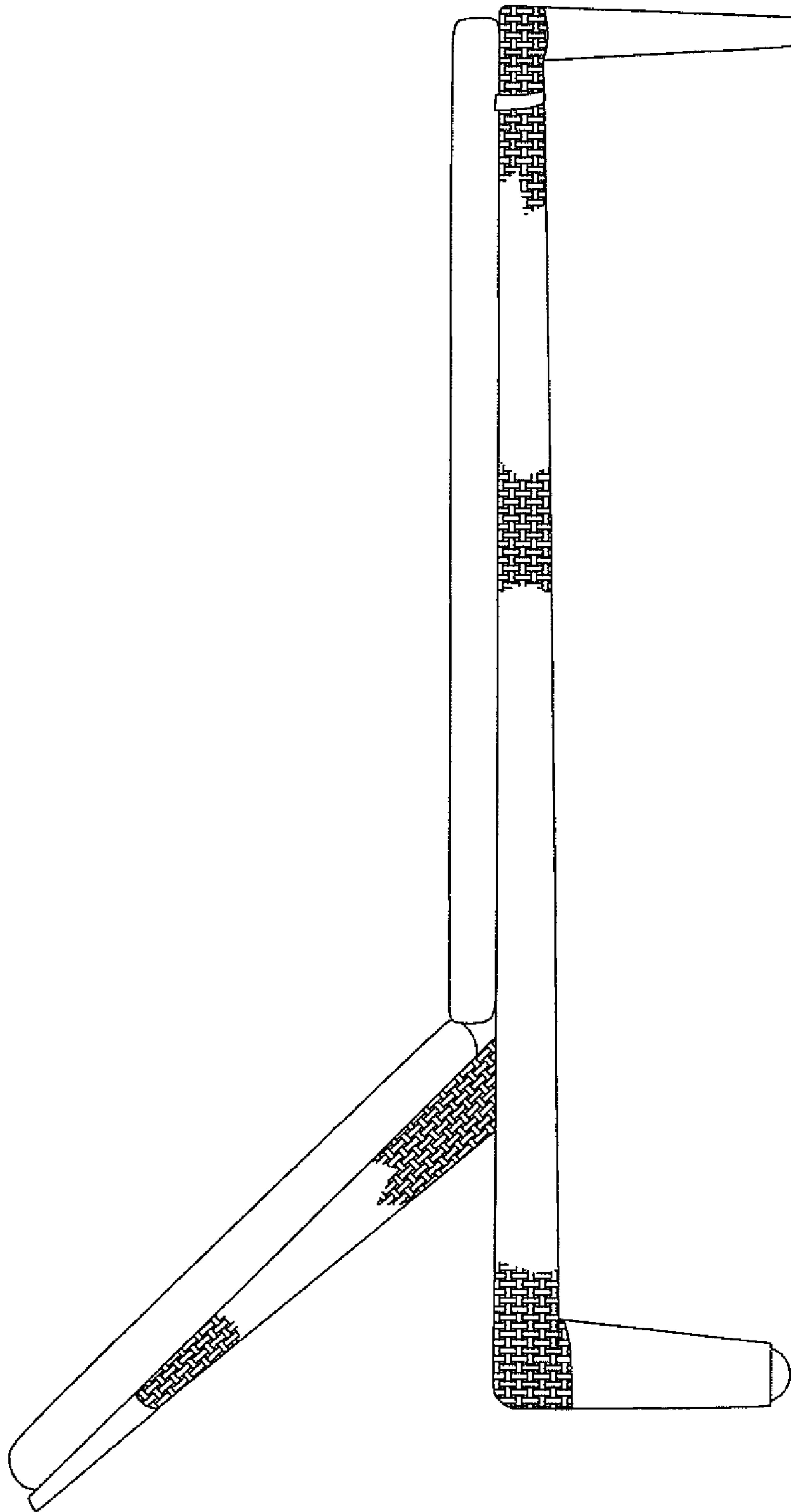


FIG. 2

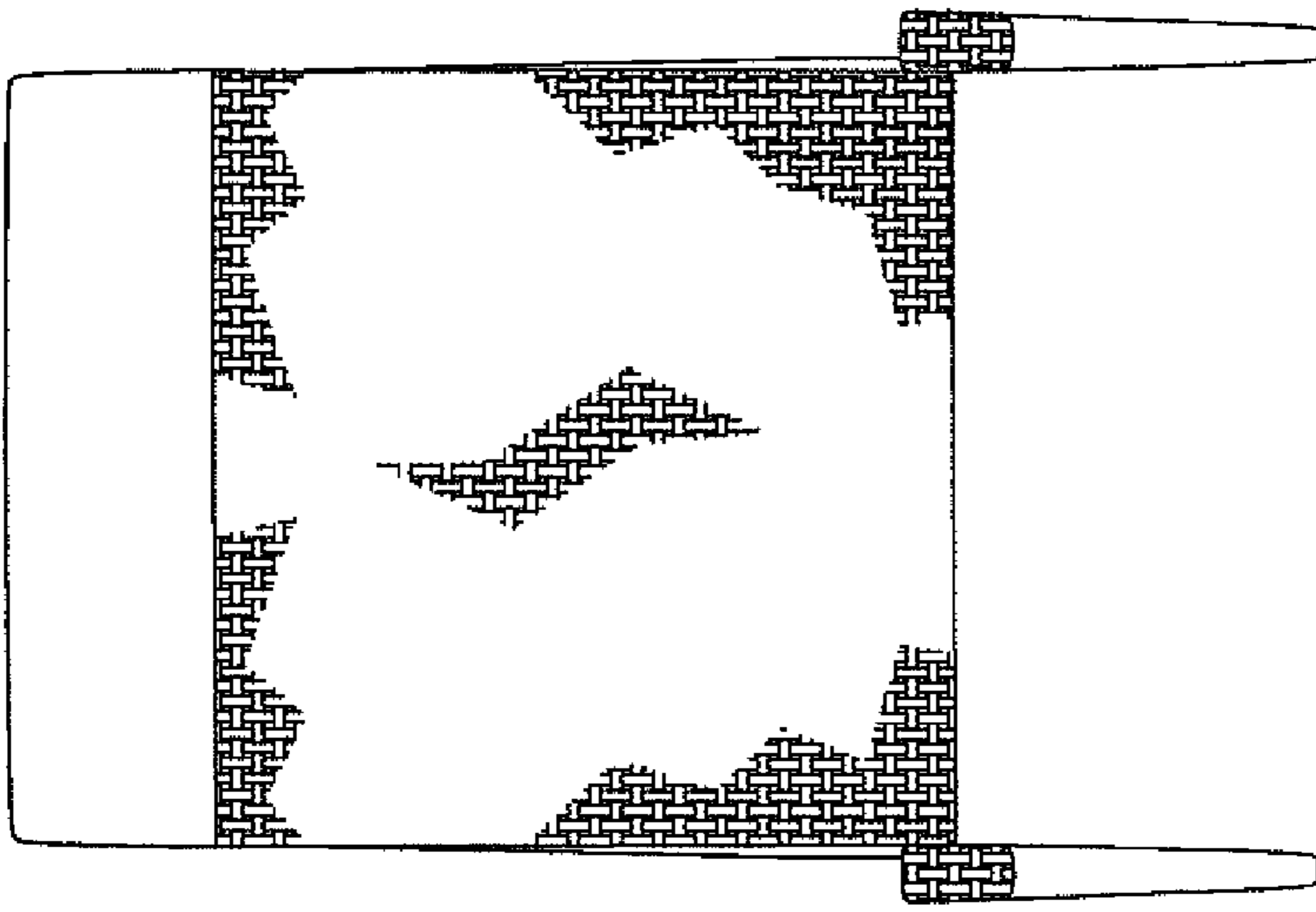


FIG. 4

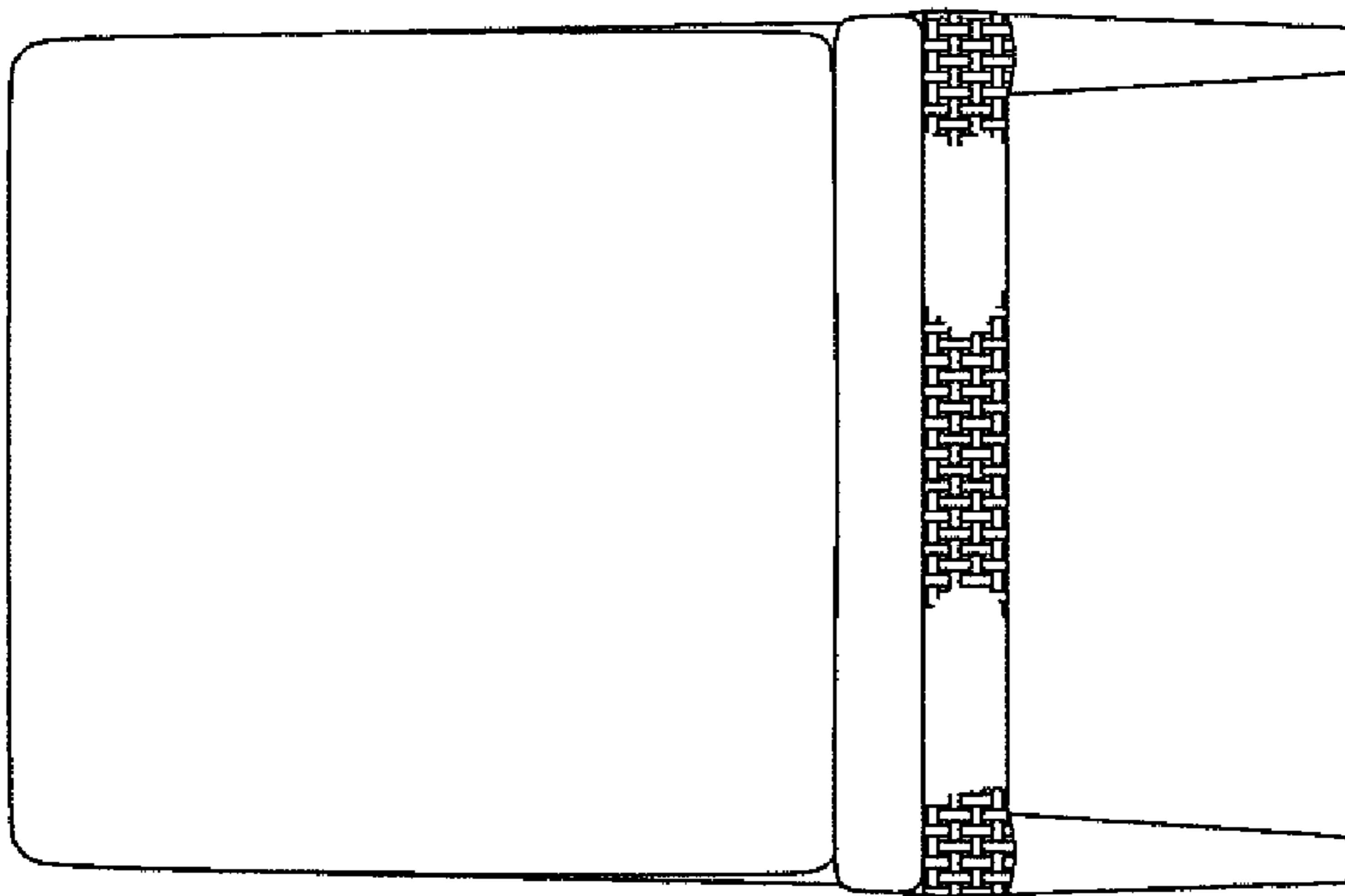


FIG. 3

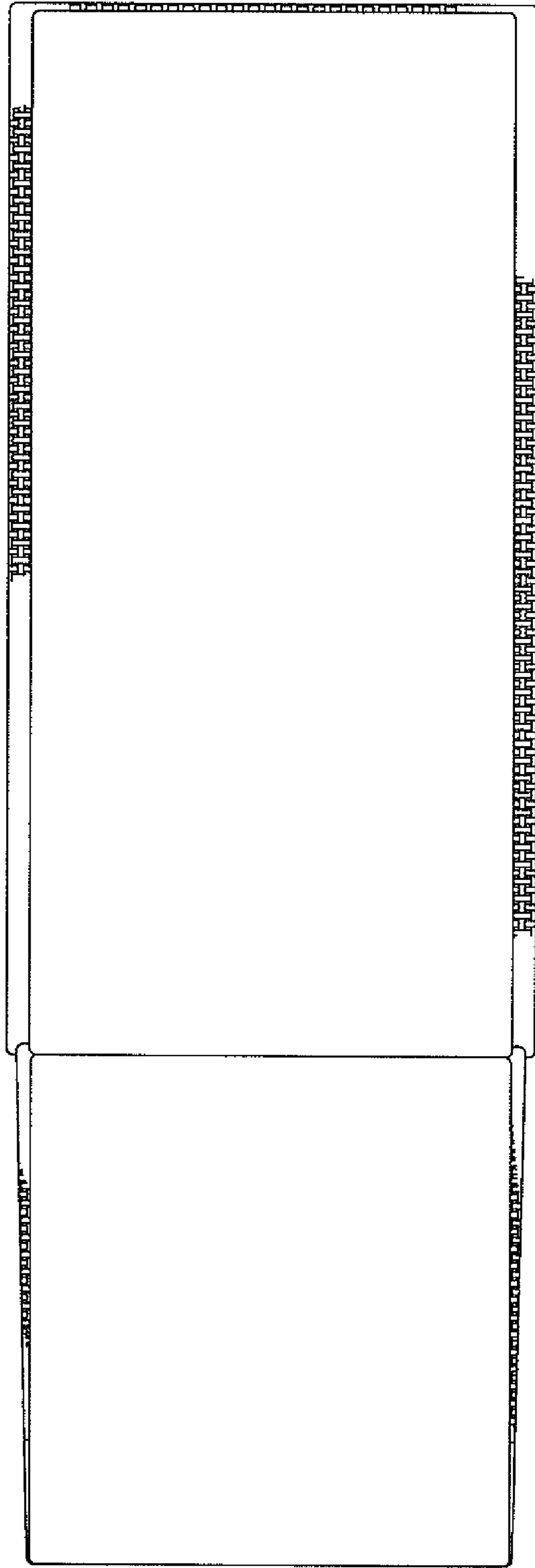


FIG. 5