



US00D646066S

(12) **United States Design Patent**
Debevec et al.

(10) **Patent No.:** **US D646,066 S**

(45) **Date of Patent:** **** Oct. 4, 2011**

(54) **BOOSTER SEAT**

(75) Inventors: **Steven Debevec**, Wake Forest, NC (US);
Debra L. Johnson, Raleigh, NC (US);
James Joseph Welch, Clayton, NC (US)

(73) Assignee: **Spongex LLC**, Tarboro, NC (US)

(**) Term: **14 Years**

(21) Appl. No.: **29/369,916**

(22) Filed: **Sep. 15, 2010**

(51) **LOC (9) Cl.** **06-01**

(52) **U.S. Cl.** **D6/333**

(58) **Field of Classification Search** D6/333-336,
D6/339-341, 344, 381, 491, 500-502; 297/250.1,
297/255, 256.15; 5/94, 98.2, 103, 104, 655,
5/655.3; D12/129-130, 133; D21/419; 280/30-31
See application file for complete search history.

(56) **References Cited**

U.S. PATENT DOCUMENTS

D230,784 S *	3/1974	Lo Turco	D6/335
D276,098 S *	10/1984	Cone	D6/333
D283,855 S *	5/1986	Kujawski	D6/333
D314,674 S *	2/1991	Kohus et al.	D6/333
D334,848 S *	4/1993	Mariol	D6/333
D376,920 S *	12/1996	Wood	D6/333
D553,865 S *	10/2007	Buitendach	D6/333

D560,375 S *	1/2008	Grohs	D6/333
D592,865 S *	5/2009	Yeung	D6/333
D623,426 S *	9/2010	Ramer et al.	D6/333

* cited by examiner

Primary Examiner — Caron D Veynar

Assistant Examiner — Abraham Bahta

(74) *Attorney, Agent, or Firm* — Withrow & Terranova, PLLC

(57) **CLAIM**

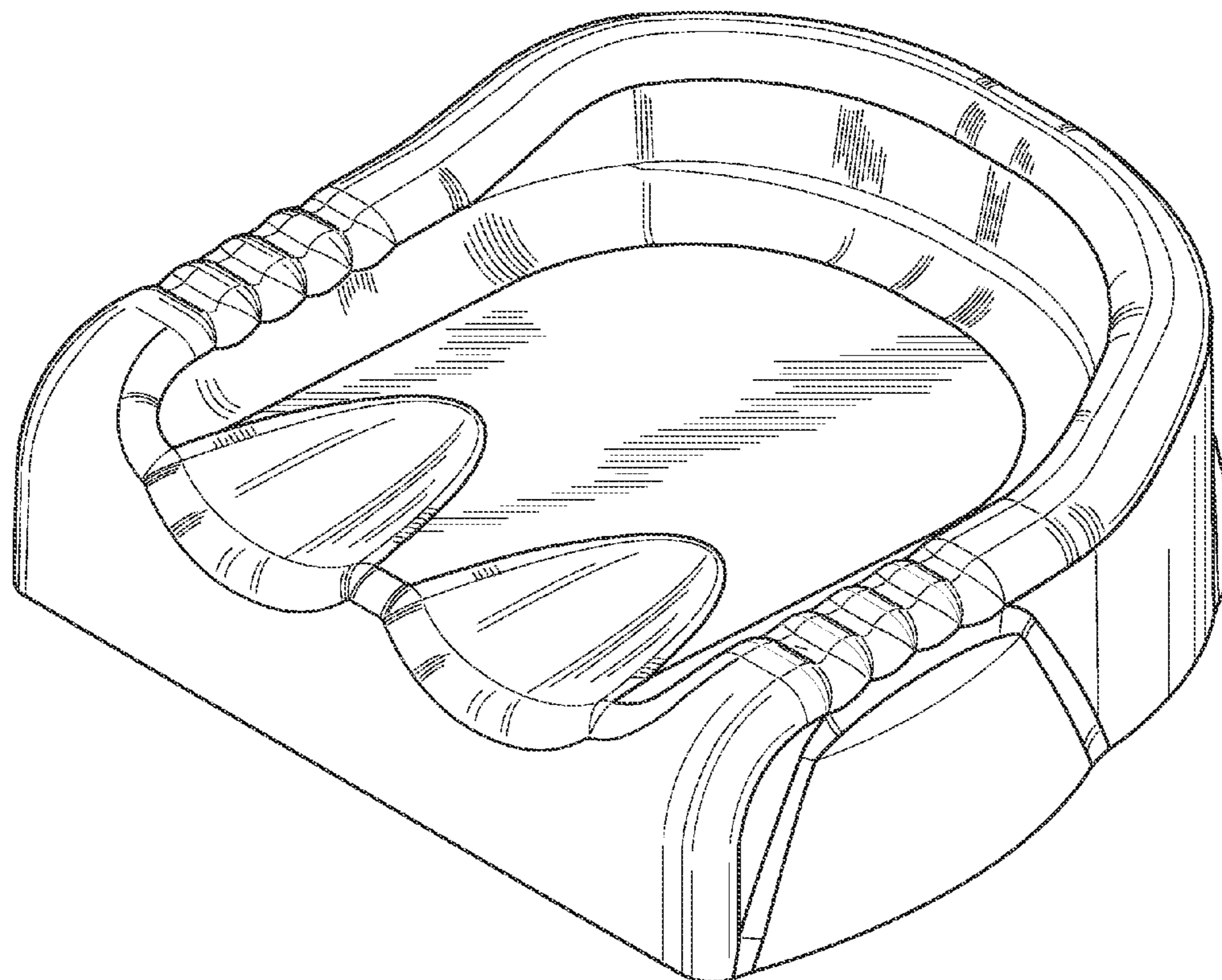
The ornamental design for booster seat, as shown and described.

DESCRIPTION

FIG. 1 is an isometric view of an exemplary booster seat; FIG. 2 is a top view of the booster seat of FIG. 1; FIG. 3 is a bottom view of the booster seat of FIG. 1; FIG. 4 is a front view of the booster seat of FIG. 1; FIG. 5 is a back view of the booster seat of FIG. 1; FIG. 6 is a right side view of the booster seat of FIG. 1; and, FIG. 7 is a left side view of the booster seat of FIG. 1.

The break lines in the drawings, if any, indicate indeterminate length and fins only, and do not form part of the claimed design. Broken lines, if any included, in the drawings are for illustrative purposes only and do not form part of the claimed design.

1 Claim, 7 Drawing Sheets



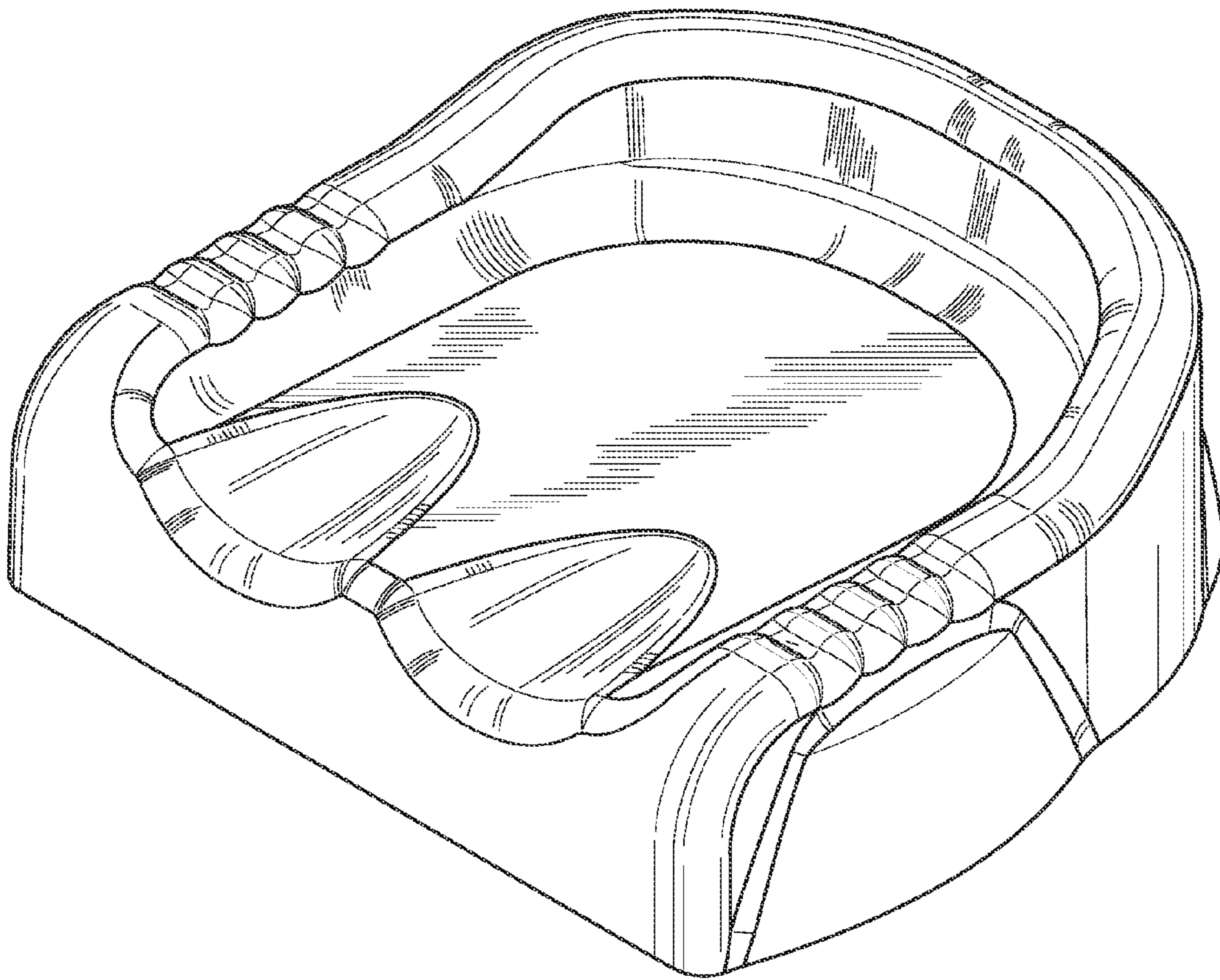


FIG. 1

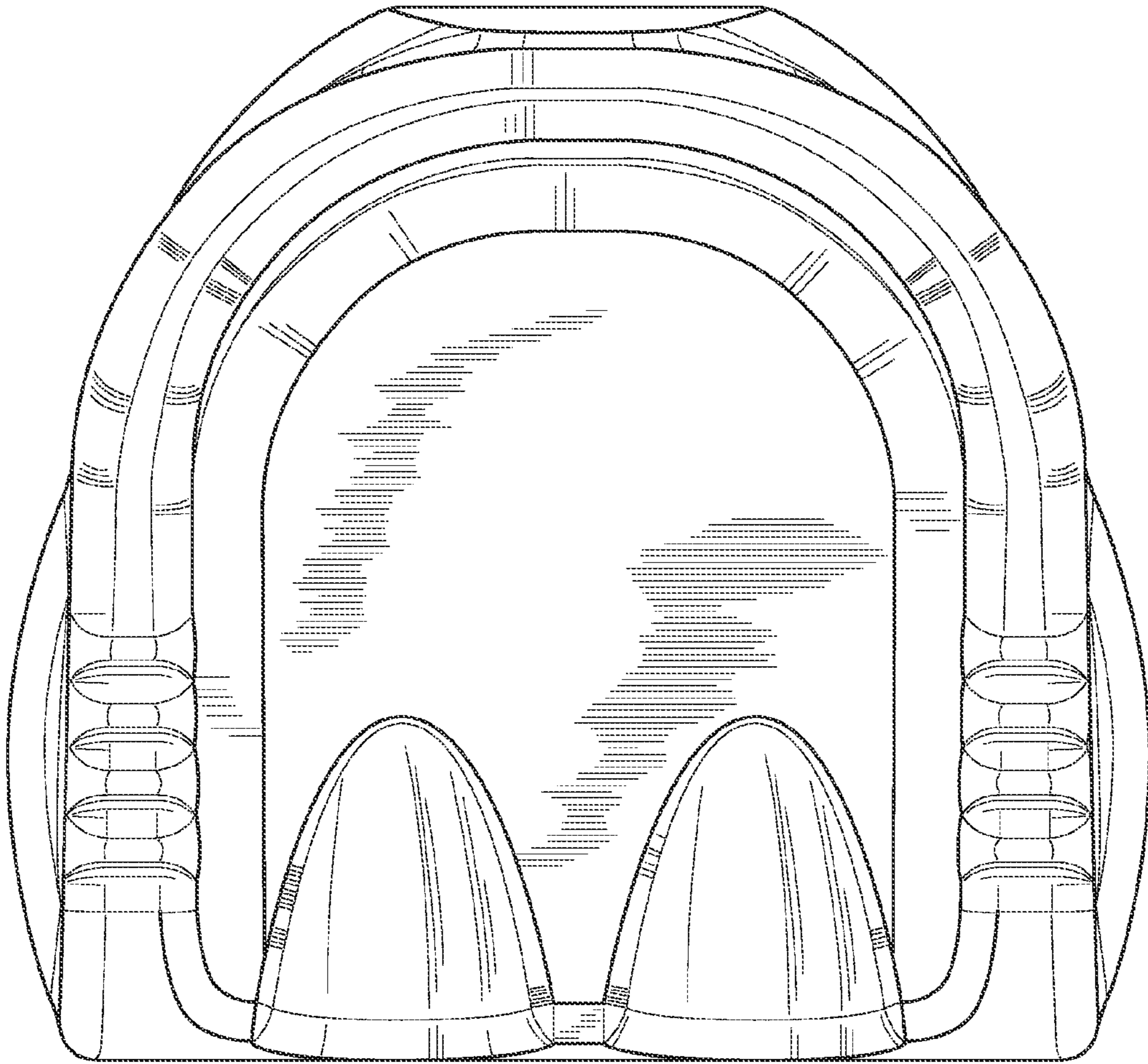


FIG. 2

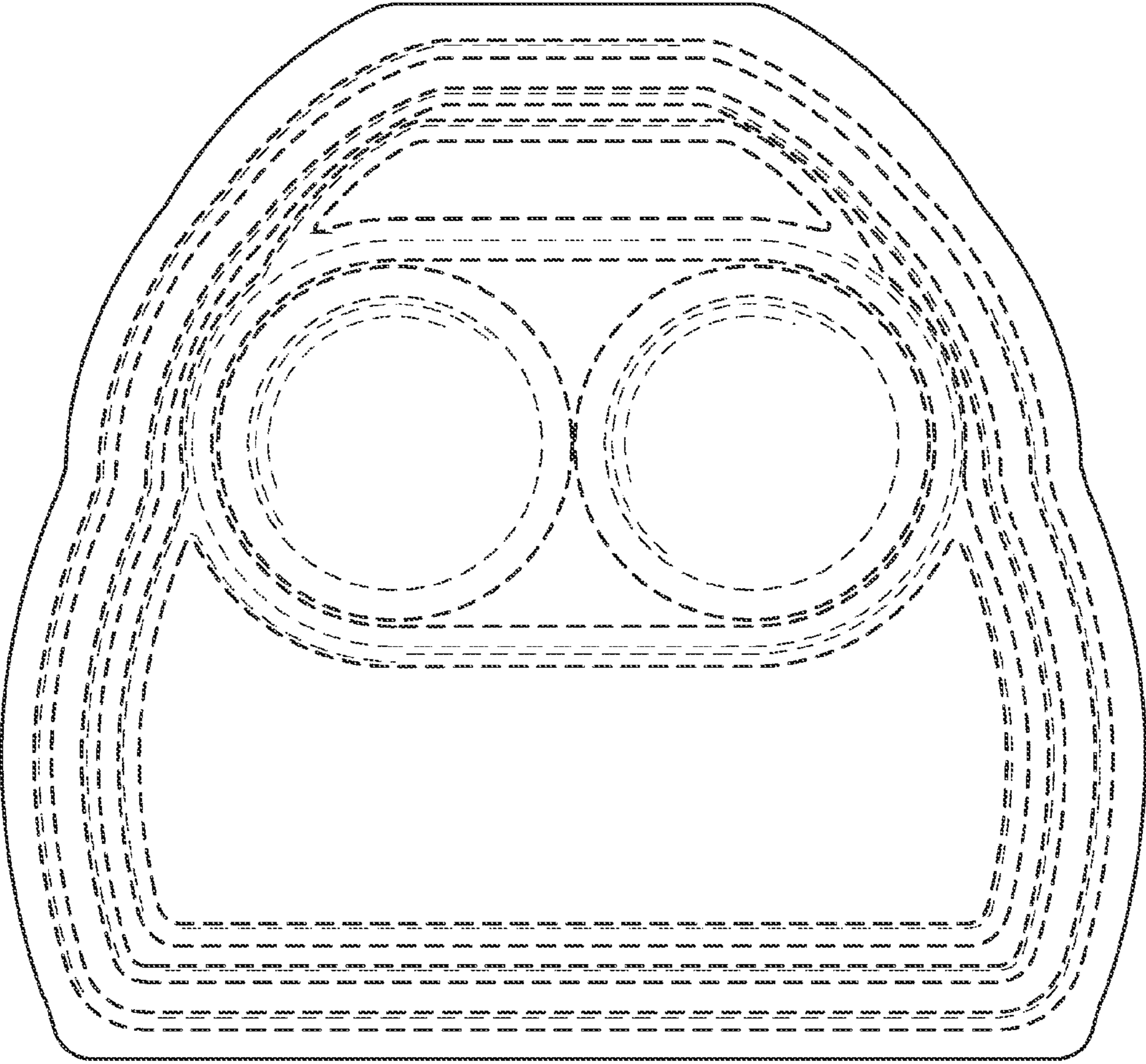


FIG. 3

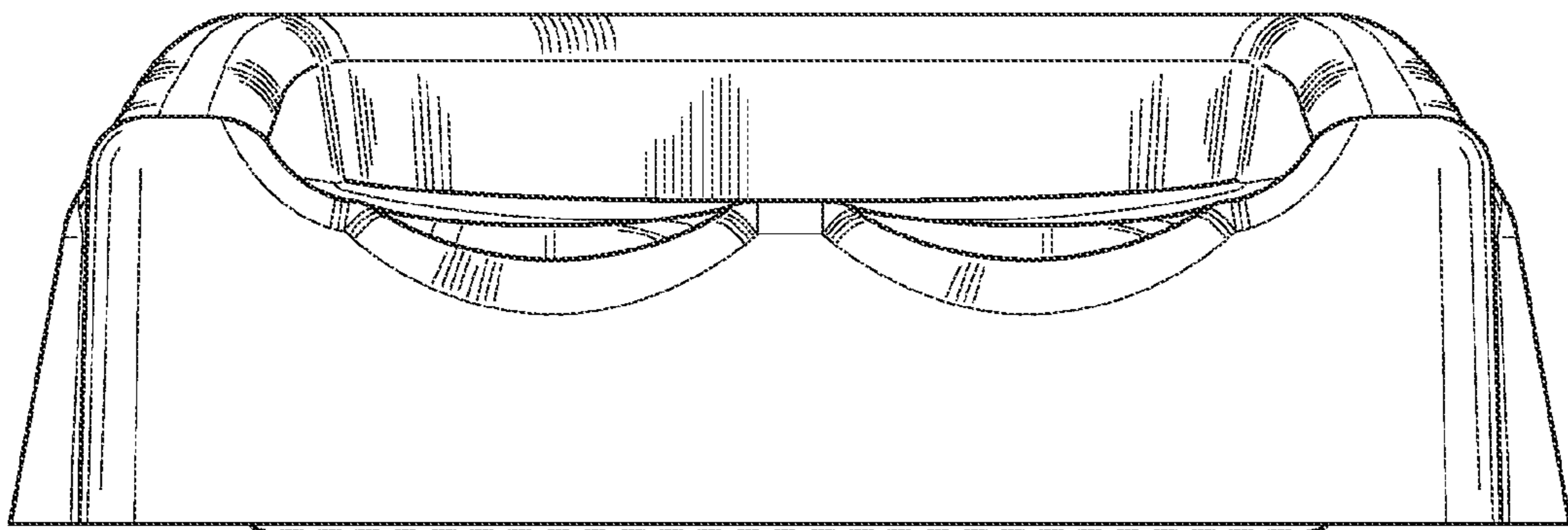


FIG. 4

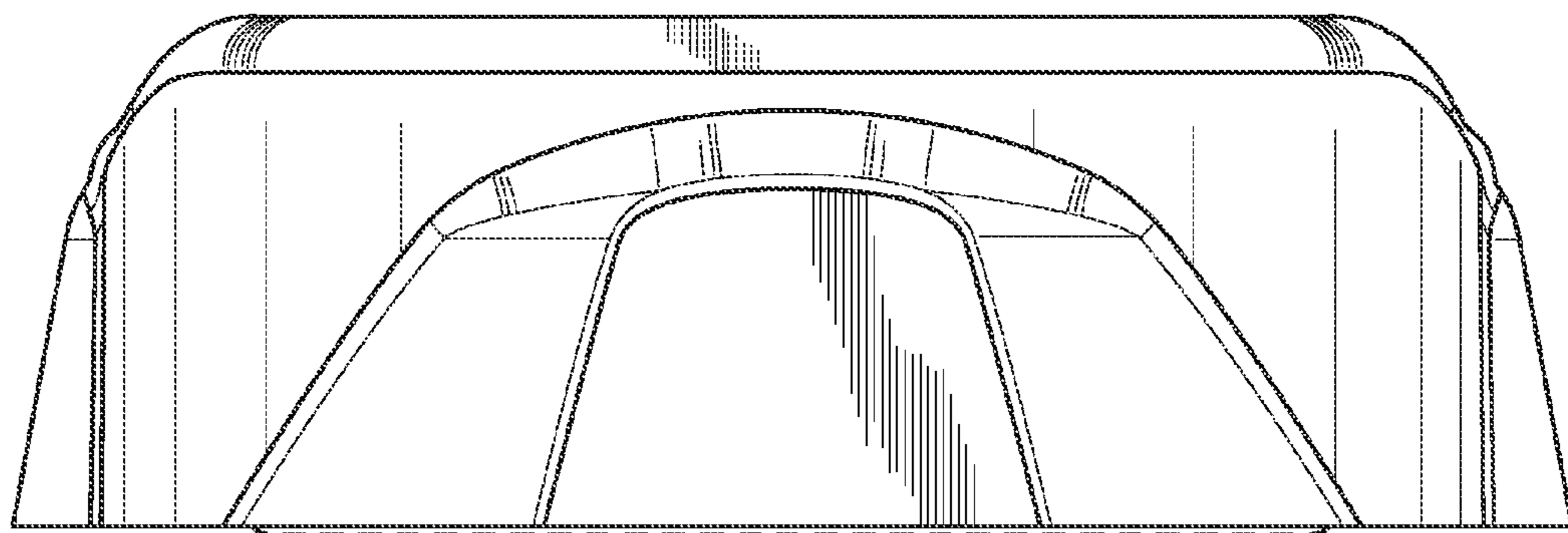


FIG. 5

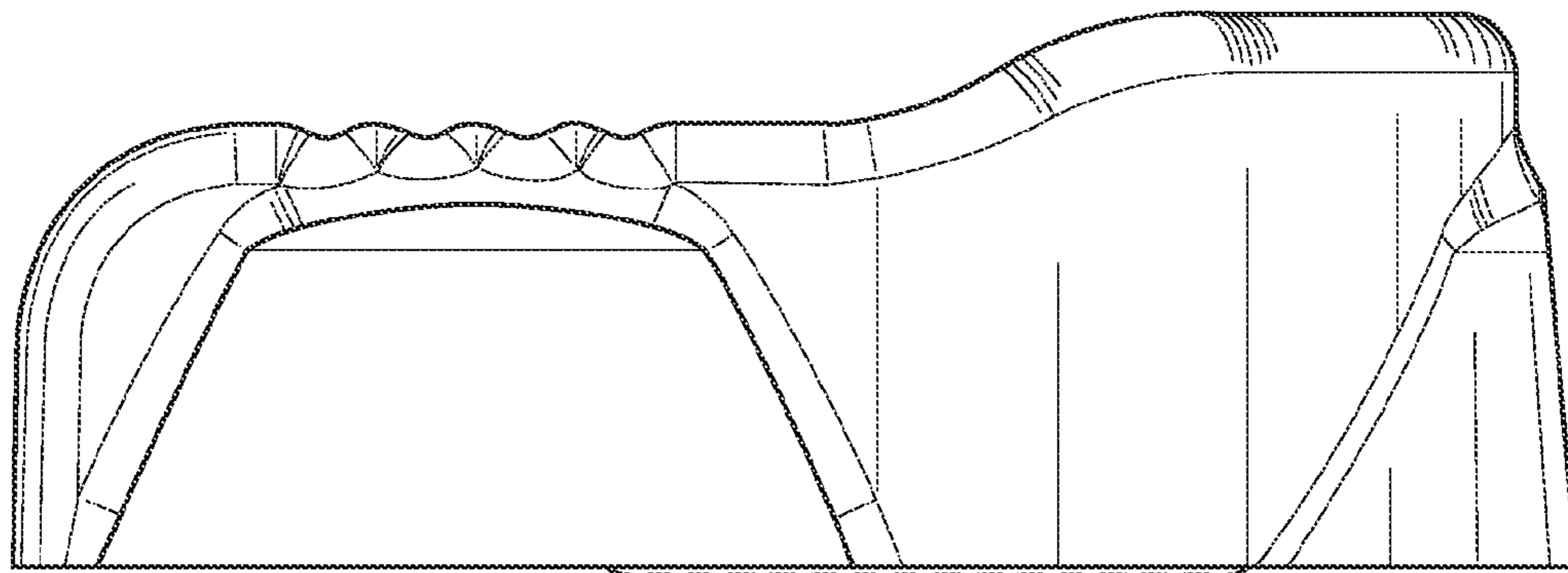


FIG. 6

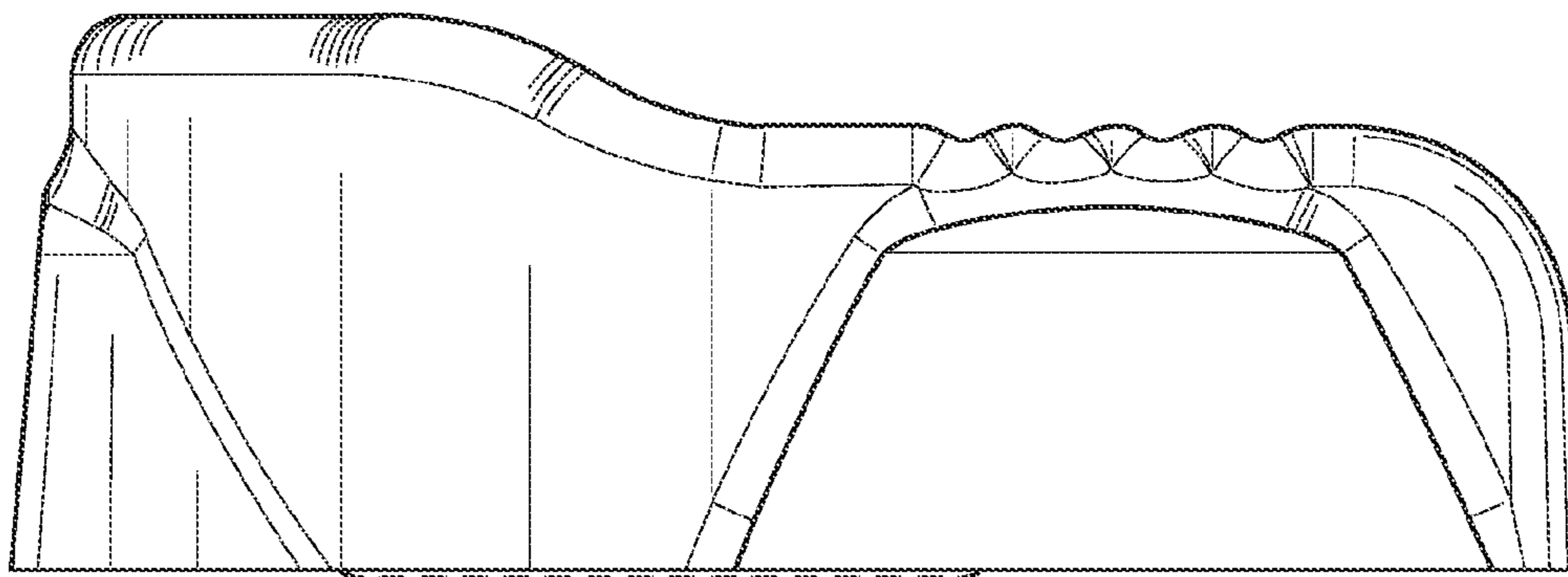


FIG. 7