

US00D646061S

(12) **United States Design Patent**
Chang

(10) **Patent No.:** **US D646,061 S**

(45) **Date of Patent:** **** Oct. 4, 2011**

(54) **TOOL BOX**

(76) Inventor: **Ming-Chi Chang**, Taichung (TW)

(**) Term: **14 Years**

(21) Appl. No.: **29/367,681**

(22) Filed: **Aug. 11, 2010**

(51) **LOC (9) Cl.** **03-01**

(52) **U.S. Cl.** **D3/323; D3/288**

(58) **Field of Classification Search** D3/254,
D3/260, 273, 276, 280, 283–291, 294, 302,
D3/301, 303, 905, 321, 323, 318; 220/523,
220/524, 527; 206/349, 372–379; 190/109,
190/111, 115, 107, 126, 903

See application file for complete search history.

(56) **References Cited**

U.S. PATENT DOCUMENTS

D308,750 S *	6/1990	Hillinger	D3/294
D364,958 S *	12/1995	Chang	D3/276
6,068,123 A *	5/2000	Chen	206/373
D459,580 S *	7/2002	Chen	D3/282
D467,077 S *	12/2002	Nawrozki et al.	D3/282
D514,315 S *	2/2006	Lai	D3/276

D521,235 S *	5/2006	Lai	D3/276
D530,514 S *	10/2006	Hernandez et al.	D3/288
2005/0224380 A1 *	10/2005	Hernandez et al.	206/373

* cited by examiner

Primary Examiner — Jennifer Rivard

(74) *Attorney, Agent, or Firm* — Muncy, Geissler, Olds & Lowe, PLLC

(57) **CLAIM**

I claim the ornamental design for a tool box, as shown and described.

DESCRIPTION

FIG. 1 is a perspective view of a tool box showing my new design;

FIG. 2 is a front view thereof;

FIG. 3 is a rear view thereof;

FIG. 4 is a left view thereof;

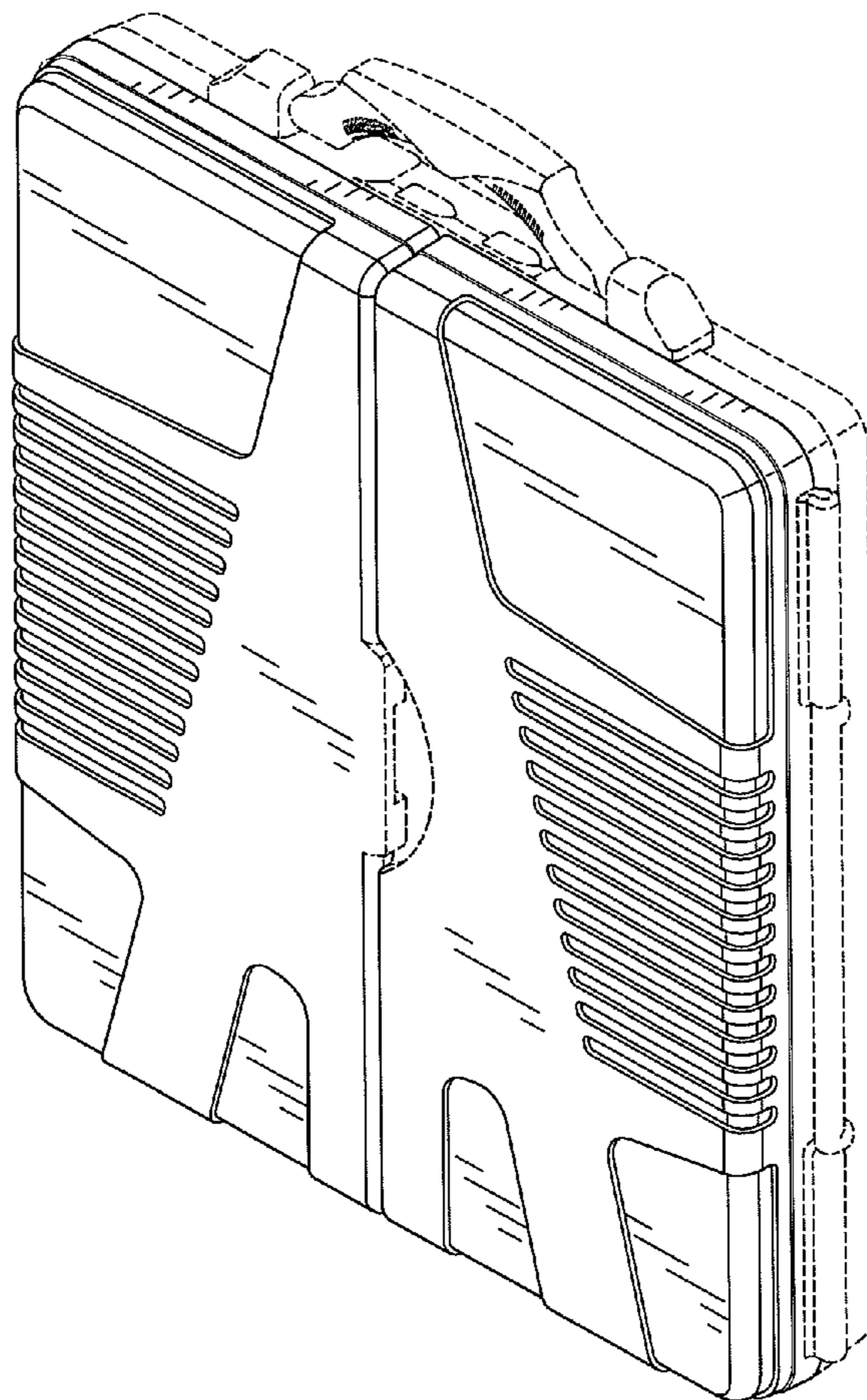
FIG. 5 is a right view thereof;

FIG. 6 is a top plan view thereof; and,

FIG. 7 is a bottom plan view thereof.

The portions shown in broken lines are for illustrative purposes only and form no part of the claimed design.

1 Claim, 5 Drawing Sheets



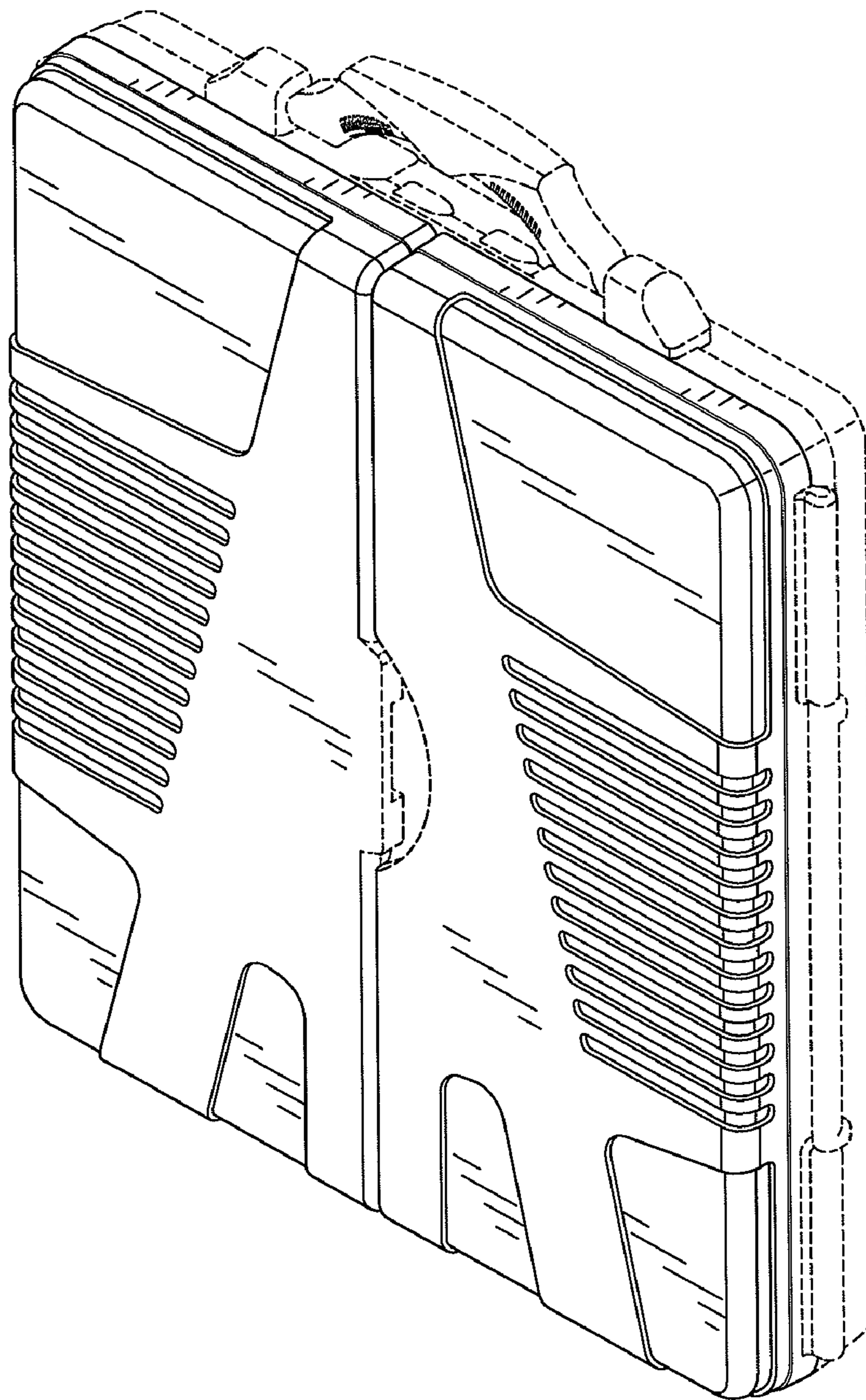


FIG. 1

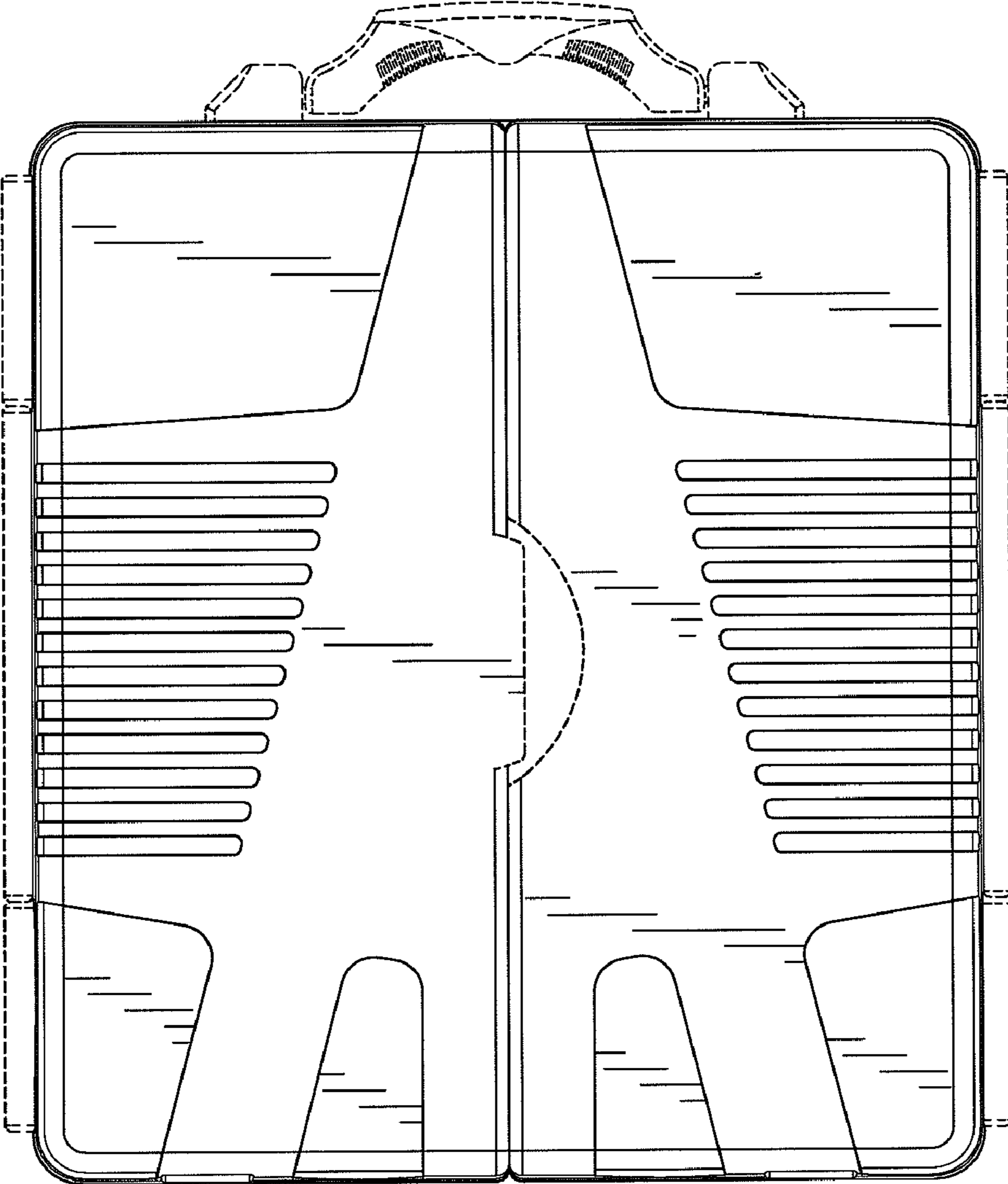


FIG. 2

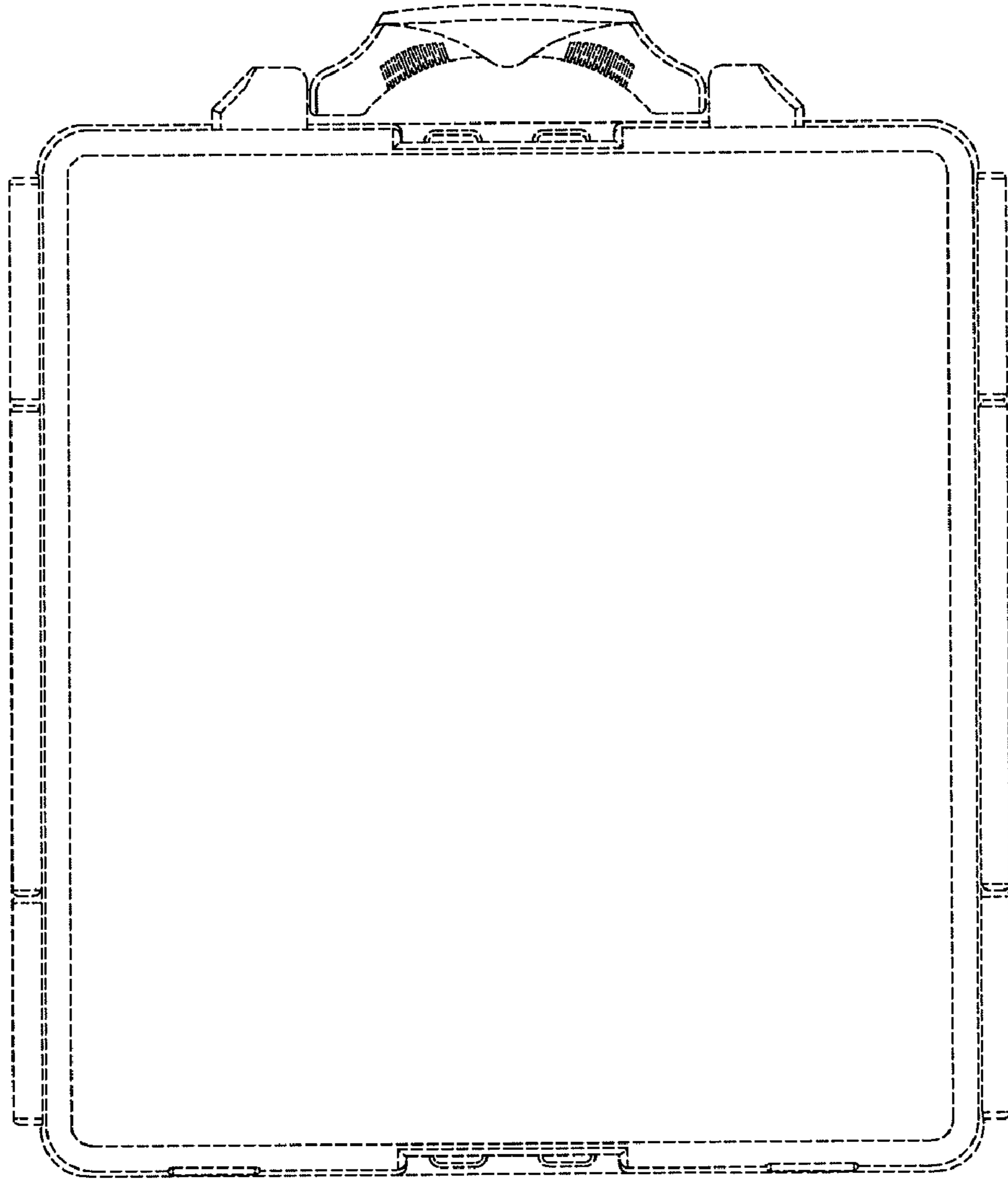


FIG. 3

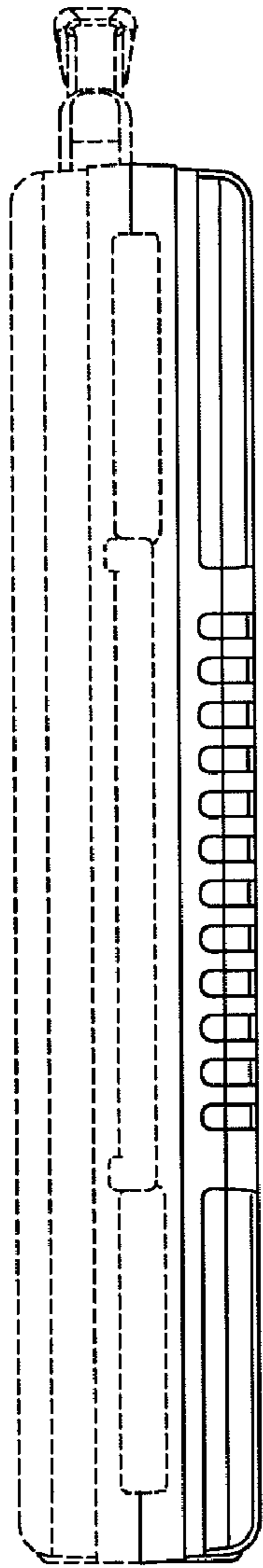


FIG. 4

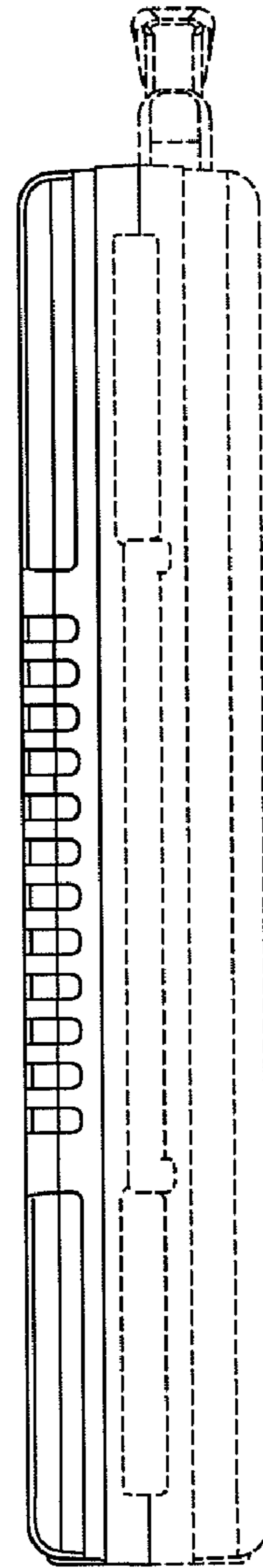


FIG. 5

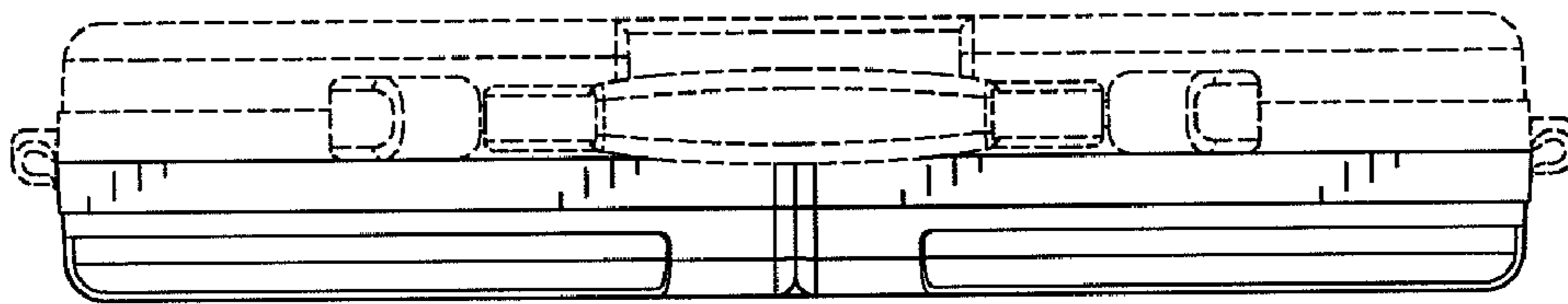


FIG. 6

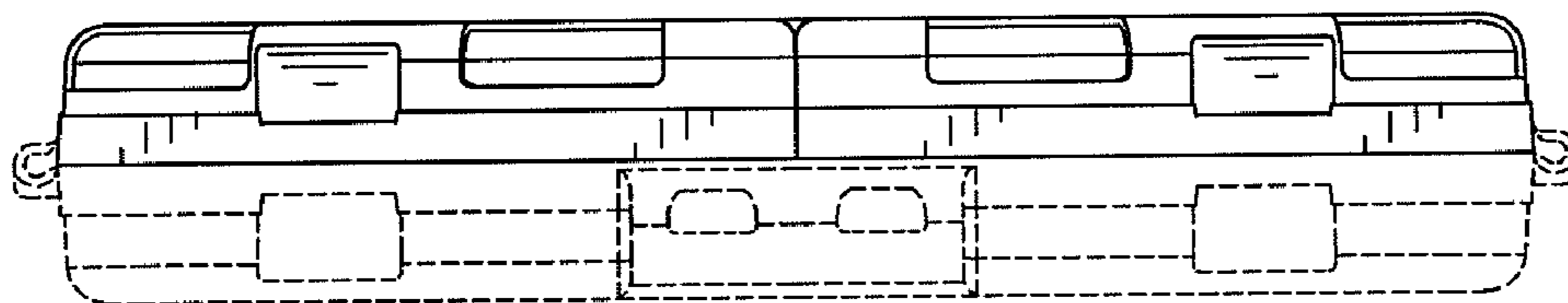


FIG. 7