

US00D646060S

(12) **United States Design Patent**
Sabounjian

(10) **Patent No.:** **US D646,060 S**

(45) **Date of Patent:** **** Oct. 4, 2011**

(54) **CAROUSEL ORGANIZER**

(75) Inventor: **Sarine M. Sabounjian**, Irvine, CA (US)

(73) Assignee: **Pro-Mart Industries, Inc.**, Irvine, CA (US)

(**) Term: **14 Years**

(21) Appl. No.: **29/389,048**

(22) Filed: **Apr. 6, 2011**

(51) **LOC (9) Cl.** **03-01**

(52) **U.S. Cl.** **D3/313**

(58) **Field of Classification Search** D3/303,
D3/305, 308, 310, 313, 316-318; D6/513-515,
D6/567, 553; 206/278, 9, 286, 289; 211/10,
211/13.1, 113

See application file for complete search history.

(56) **References Cited**

U.S. PATENT DOCUMENTS

1,115,706	A	11/1914	Manuel	217/44
1,206,618	A	11/1916	Thrasher et al.	
1,216,250	A	2/1917	Bittle	312/6
1,375,883	A	4/1921	Woolson	312/6
1,583,083	A	5/1926	Macaraig	
1,640,083	A	8/1927	Ladd	211/186
1,678,415	A	7/1928	Ahles	312/6
1,691,904	A	11/1928	Gamble	
1,730,898	A	10/1929	Percival	383/38
1,847,066	A	3/1932	Berg	312/6
1,902,313	A	3/1933	Struble	206/8
2,016,520	A	10/1935	Short	
2,142,851	A	1/1939	Jolly	
2,517,757	A	8/1950	Adlerstein	312/3
2,533,333	A	12/1950	Kitson	190/111
2,584,722	A	2/1952	London	206/287
2,845,185	A	7/1958	Winderweedle, Jr.	108/164
2,874,813	A	2/1959	Bunte	190/109
3,039,599	A	6/1962	Mintz	206/287
3,105,617	A	10/1963	Felldin	
3,331,513	A	7/1967	Cappelli	
3,669,276	A	6/1972	Woods	211/34
3,904,258	A	9/1975	Faulkenberry	312/6
3,929,145	A	12/1975	Schroeder	

(Continued)

OTHER PUBLICATIONS

U.S. Appl. No. 29/353,756, filed Jan. 13, 2010, for a Carousel Organizer. First named inventor Sarine Sabounjian, Assigned to Pro-Mart Industries, Inc.

(Continued)

Primary Examiner — Elizabeth Albert

Assistant Examiner — Kelley Donnelly

(74) *Attorney, Agent, or Firm* — Stetina Brunda Garred & Brucker; Lowell Anderson

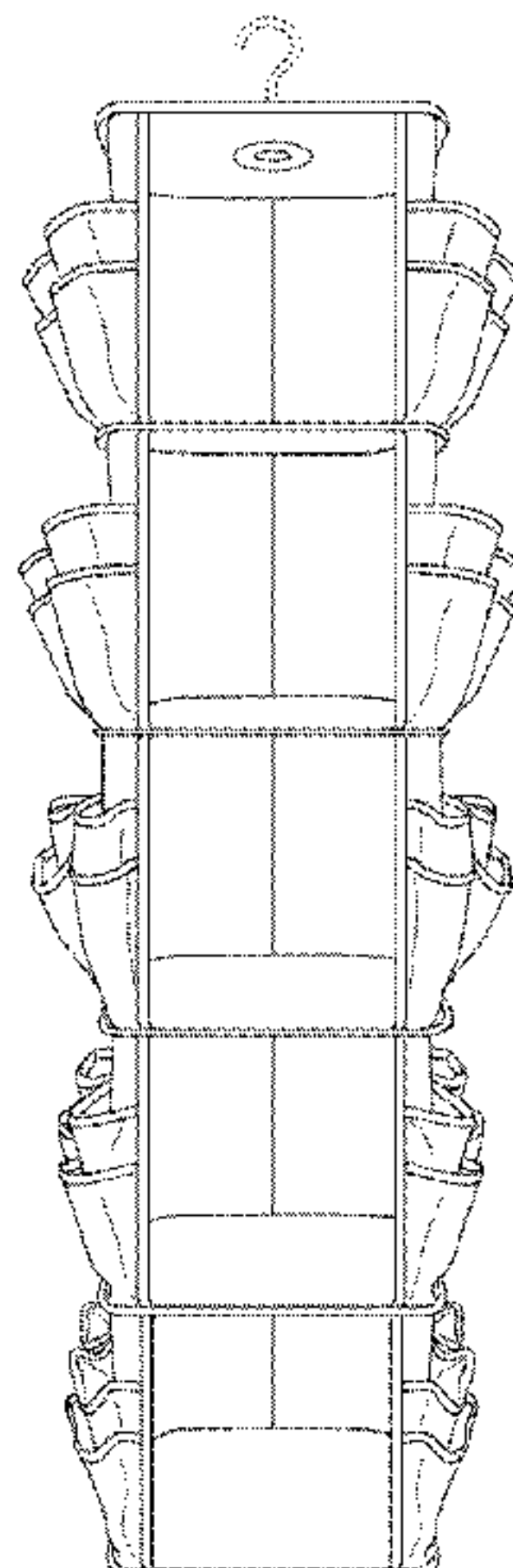
(57) **CLAIM**

The ornamental design for a carousel organizer, as shown and described.

DESCRIPTION

FIG. 1 is a front view of a first embodiment of the carousel organizer of this invention;
 FIG. 2 is a left side view thereof;
 FIG. 3 is a back view thereof;
 FIG. 4 is a right side view thereof;
 FIG. 5 is a top plan view thereof; and
 FIG. 6 is a bottom plan view thereof.
 FIG. 7 is a front view of a second embodiment of the carousel organizer of this invention;
 FIG. 8 is a left side view thereof;
 FIG. 9 is a back view thereof;
 FIG. 10 is a right side view thereof;
 FIG. 11 is a top plan view thereof; and,
 FIG. 12 is a bottom plan view thereof.
 The broken lines showing a hook in FIGS. 1-5 and 7-11 and a grommet in FIGS. 5 and 11 are included for the purpose of illustrating environment of the design and form no part of the claimed design.
 The cross-hatching that can be seen on the pockets in FIGS. 7, 8, 9, 10, and 12 represents a mesh material.

1 Claim, 10 Drawing Sheets



US D646,060 S

Page 2

U.S. PATENT DOCUMENTS

D262,666 S * 1/1982 Tager D3/23
4,377,314 A 3/1983 Gevers 312/297
4,382,640 A 5/1983 Kashden 312/5
D332,697 S * 1/1993 Schildkraut D3/303
5,176,315 A 1/1993 Homel
D337,467 S * 7/1993 Schmidt D6/570
5,358,440 A 10/1994 Zheng
5,439,017 A 8/1995 Brown
5,560,385 A 10/1996 Zheng
5,664,596 A 9/1997 Zheng
5,713,646 A 2/1998 Wang 312/3
5,800,067 A 9/1998 Easter
5,941,265 A 8/1999 Zheng
6,092,544 A 7/2000 Zheng
6,098,349 A 8/2000 Zheng
6,155,281 A 12/2000 Zheng
6,315,143 B1 11/2001 Dotts
6,360,761 B1 3/2002 Zheng
6,390,573 B1 5/2002 Wang 312/6
D461,638 S 8/2002 Kellogg et al.
D462,543 S * 9/2002 Childers D6/461
6,494,224 B2 12/2002 Zheng
6,668,847 B2 12/2003 Zheng
6,719,157 B2 4/2004 Stoddart et al. 211/118
7,063,397 B2 6/2006 Sabounjian

D539,580 S * 4/2007 Greiner D6/514
D540,583 S * 4/2007 Greiner D6/514
D547,579 S * 7/2007 Greiner D6/514
D547,989 S * 8/2007 Nelson D6/553
D551,472 S * 9/2007 Greiner D6/514
D551,473 S * 9/2007 Greiner D6/514
D557,538 S 12/2007 Kessler
D566,986 S 4/2008 Greiner
D569,666 S * 5/2008 Gusdorf D6/514
D595,918 S * 7/2009 Walter D34/27
D606,334 S * 12/2009 Clark et al. D6/467
7,681,728 B2 3/2010 Sabounjian
2005/0140253 A1 6/2005 Fu

OTHER PUBLICATIONS

U.S. Appl. No. 29/389,092, filed Apr. 6, 2011, for a Square Carousel Organizer With Strapped Shelves. First named inventor Sarine Sabounjian, Assigned to Pro-Mart Industries, Inc.
U.S. Appl. No. 29/385,248, filed Feb. 10, 2011, for a Square Carousel Organizer With Pockets. First named inventor Sarine Sabounjian, Assigned to Pro-Mart Industries, Inc.
U.S. Appl. No. 29/385,256, filed Feb. 10, 2011, for a Triangular Carousel Organizer. First named inventor Sarine Sabounjian, Assigned to Pro-Mart Industries, Inc.

* cited by examiner

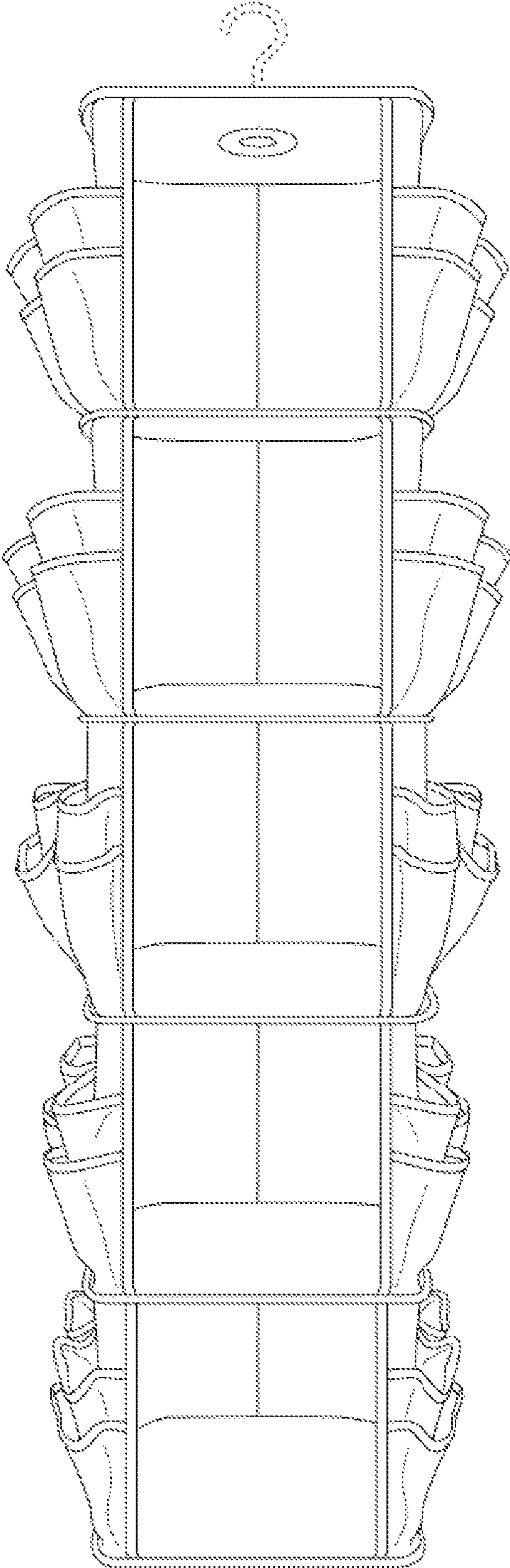


Fig. 1

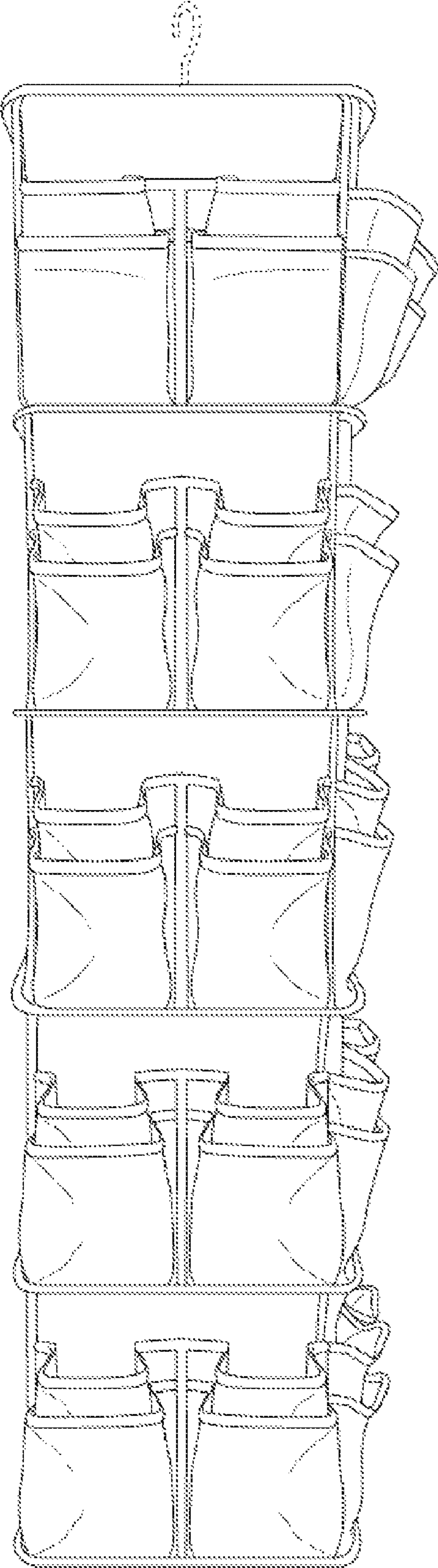


Fig. 2

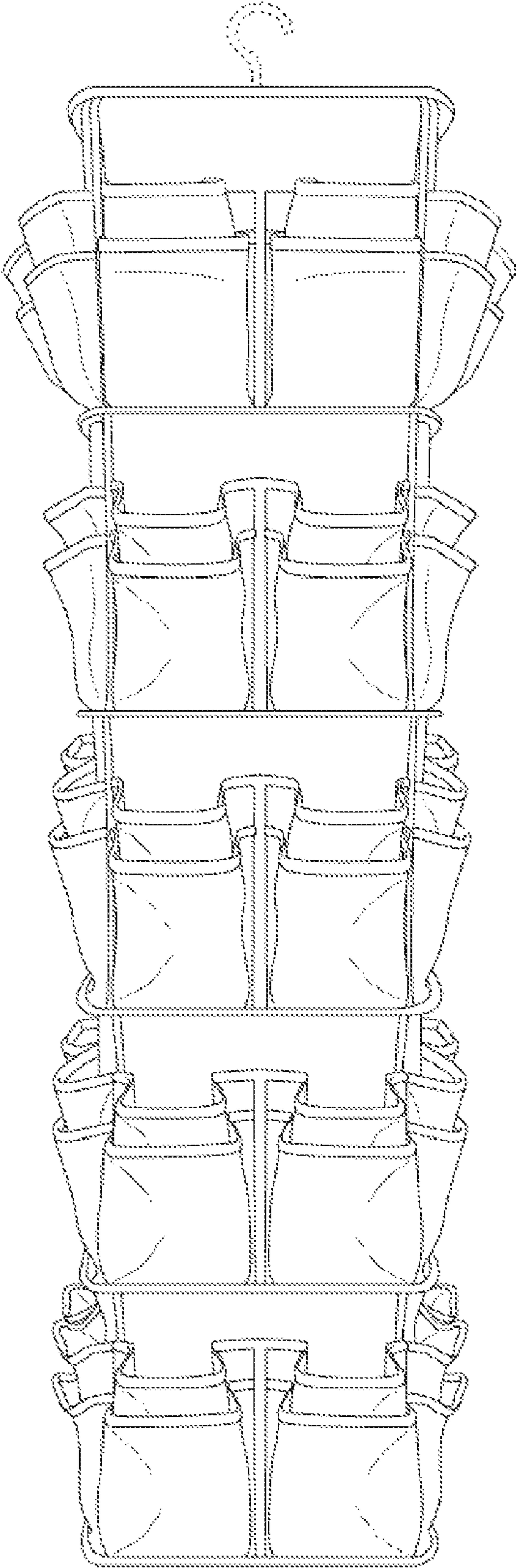


Fig. 3

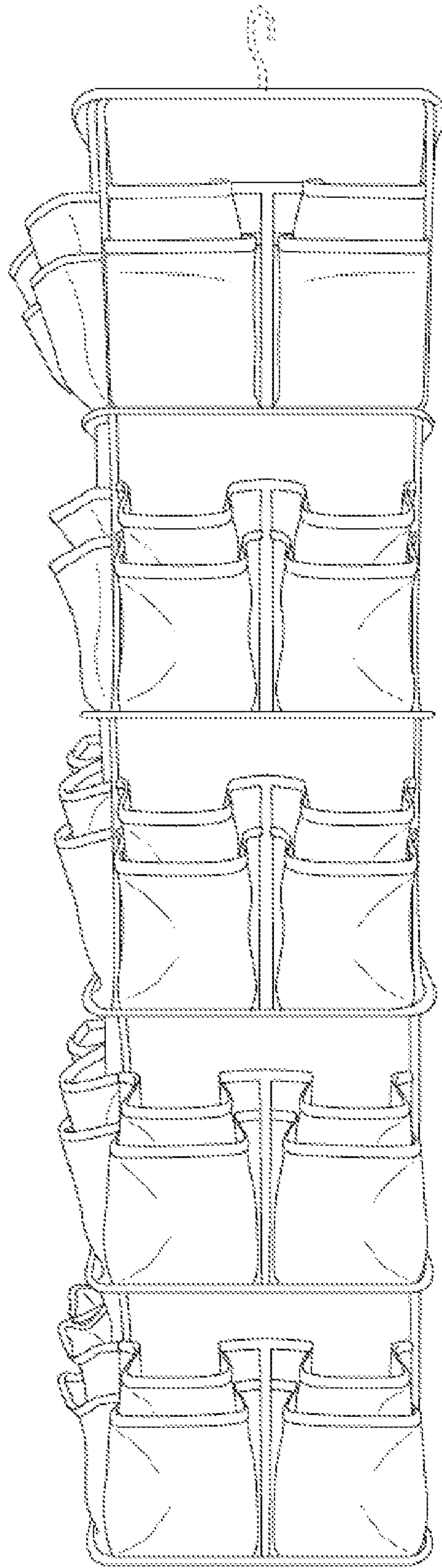


Fig. 4

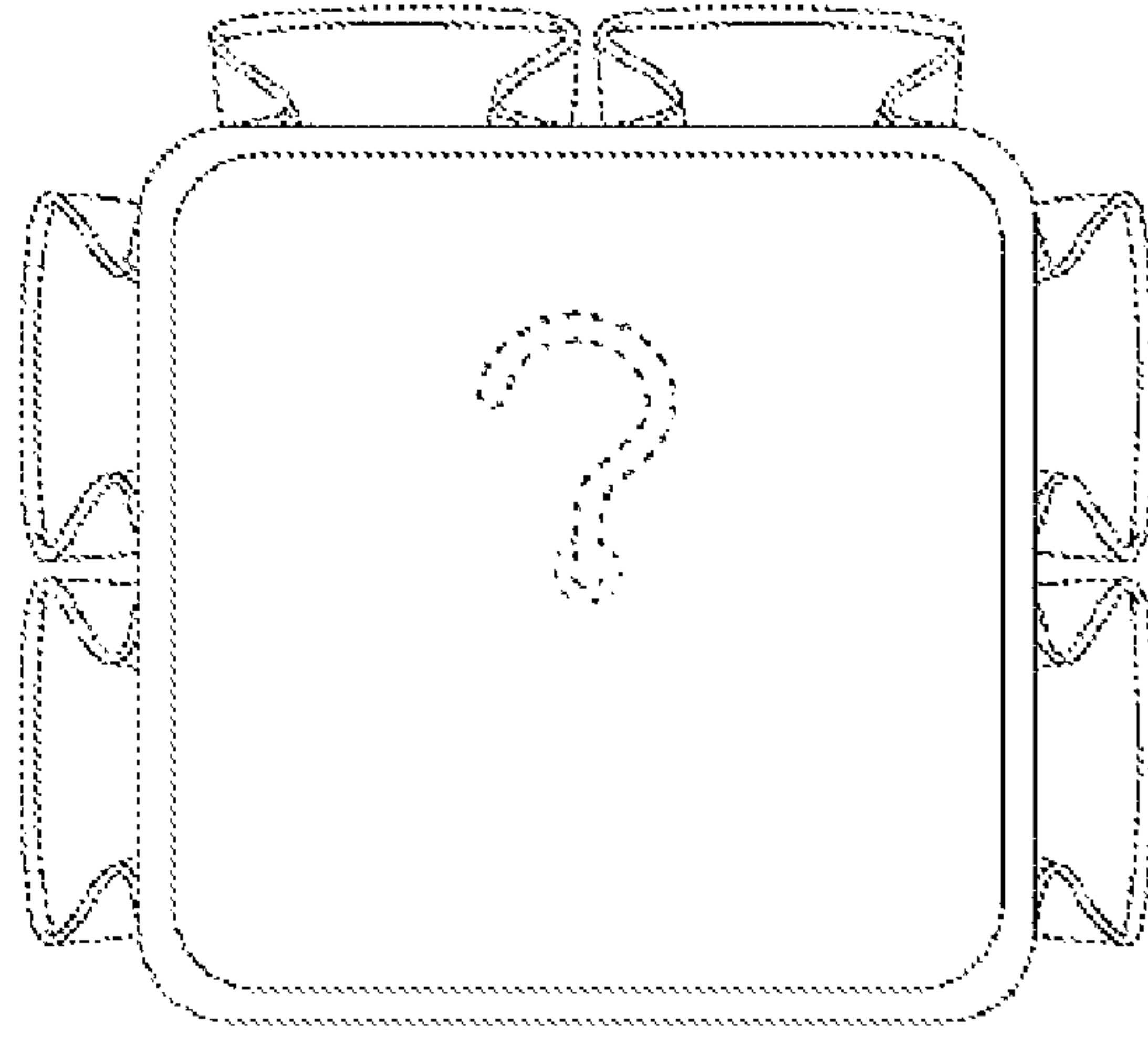


Fig. 5

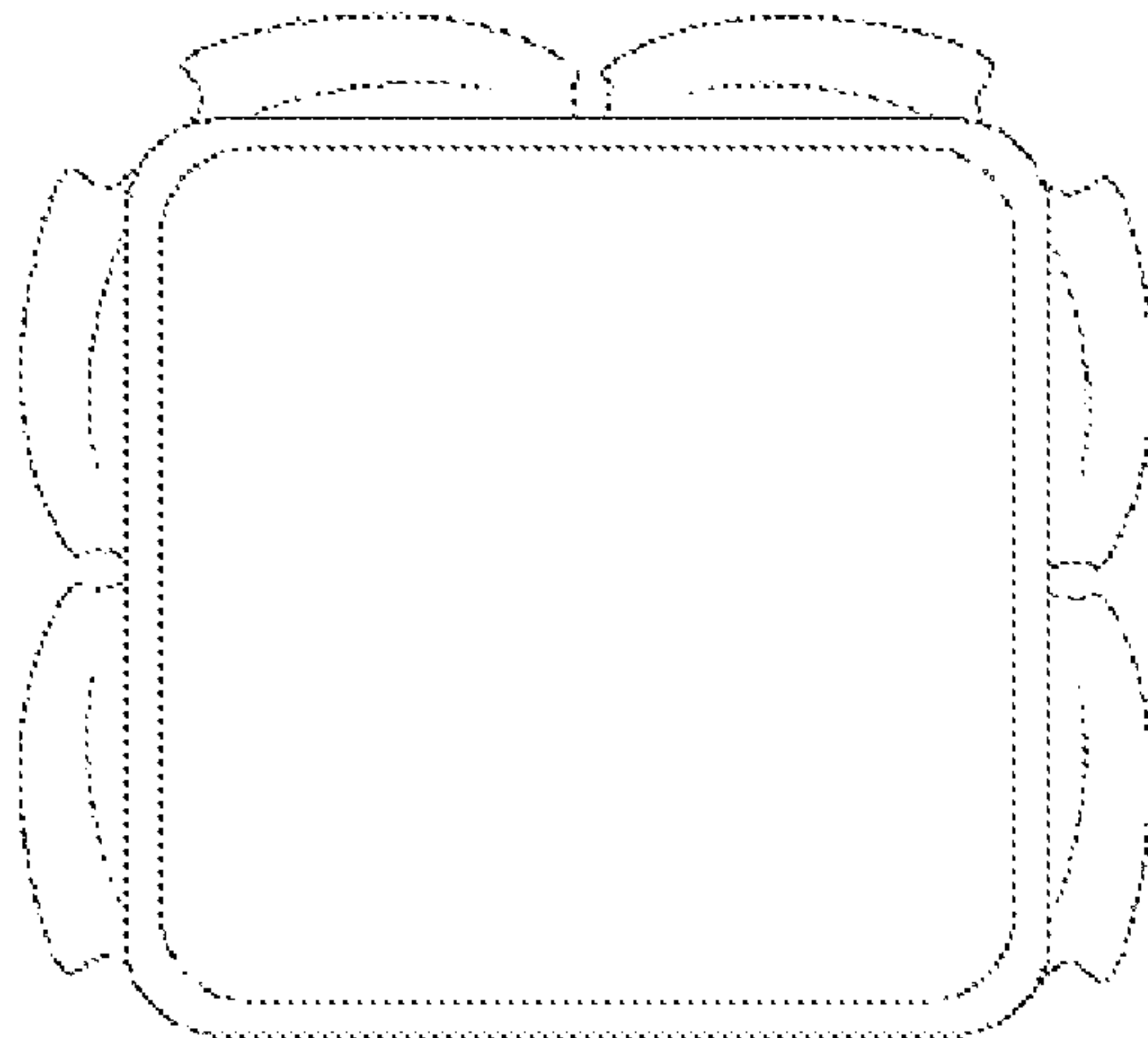


Fig. 6

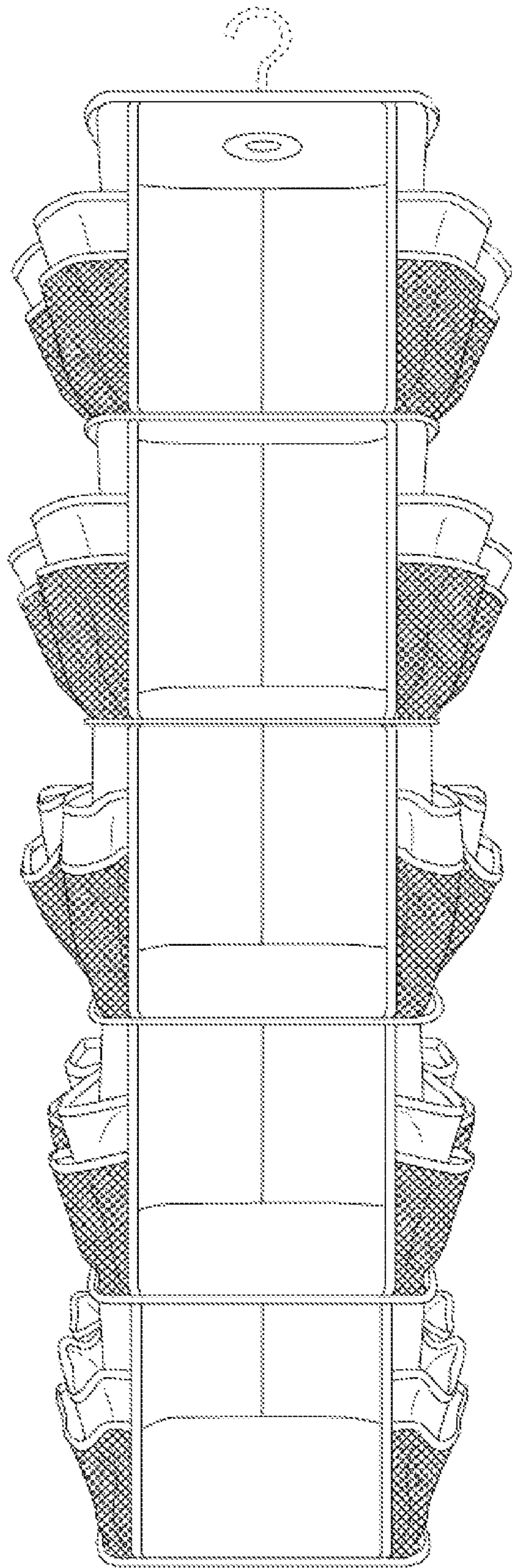


Fig. 7

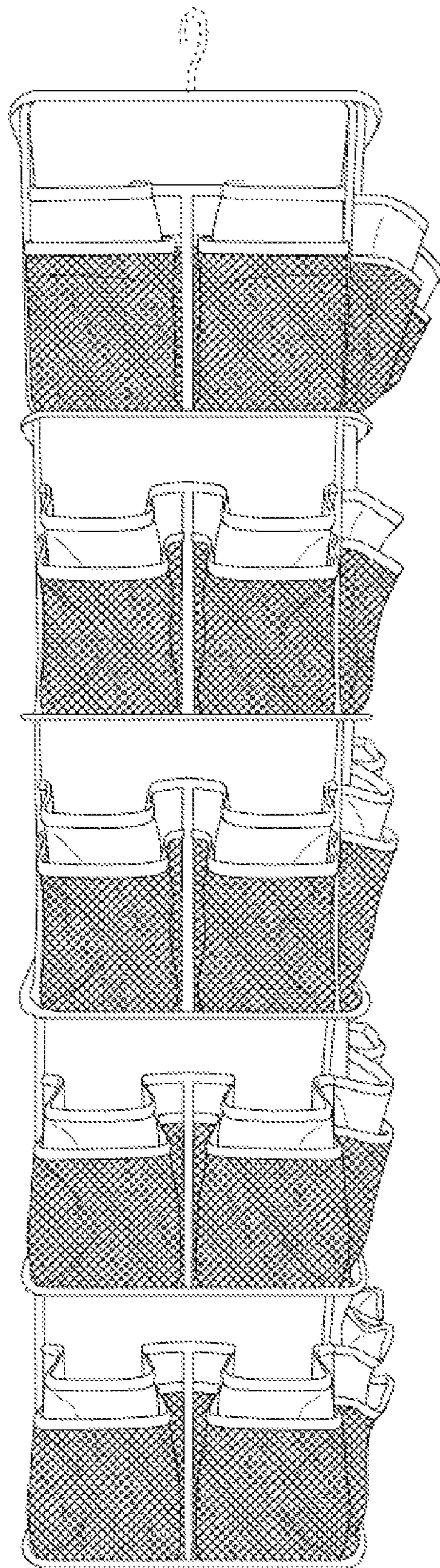


Fig. 8

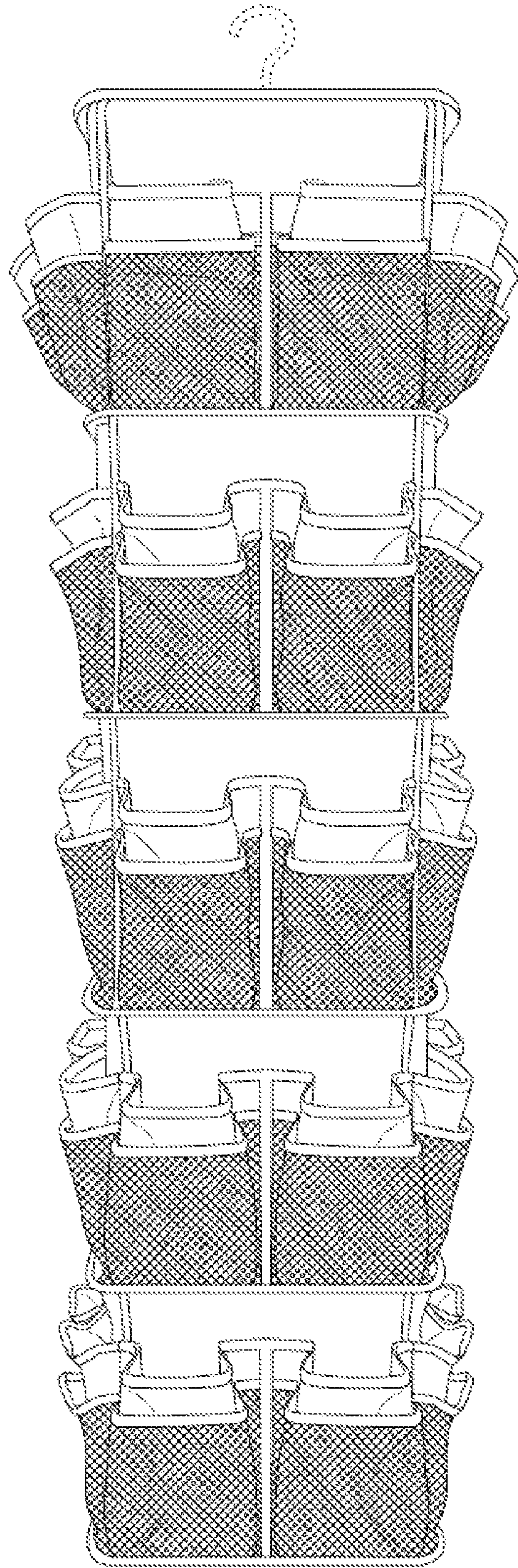


Fig. 9

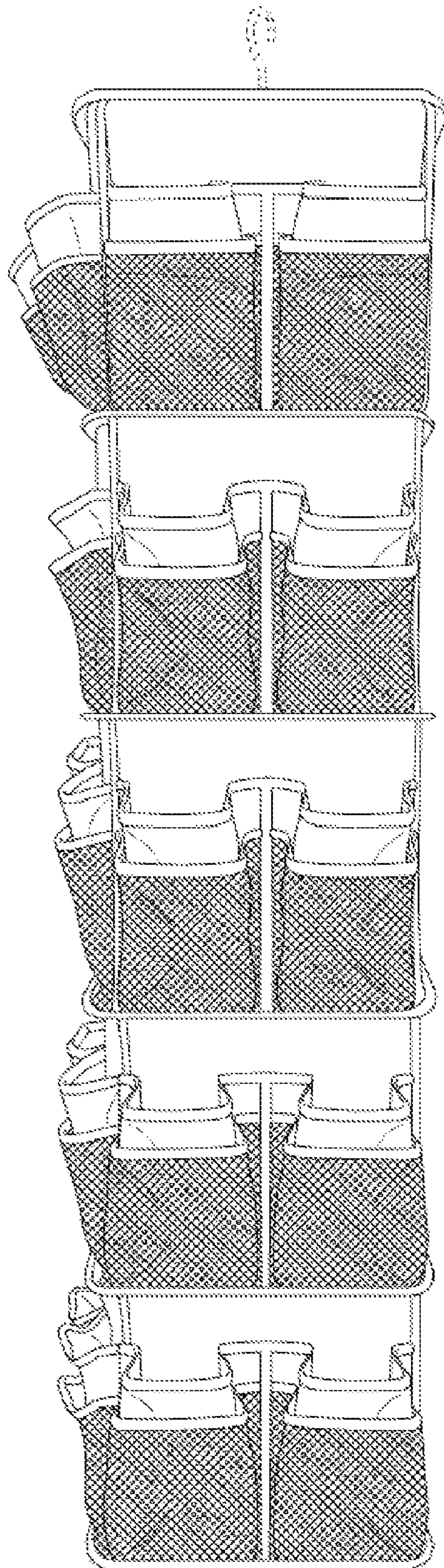


Fig. 10

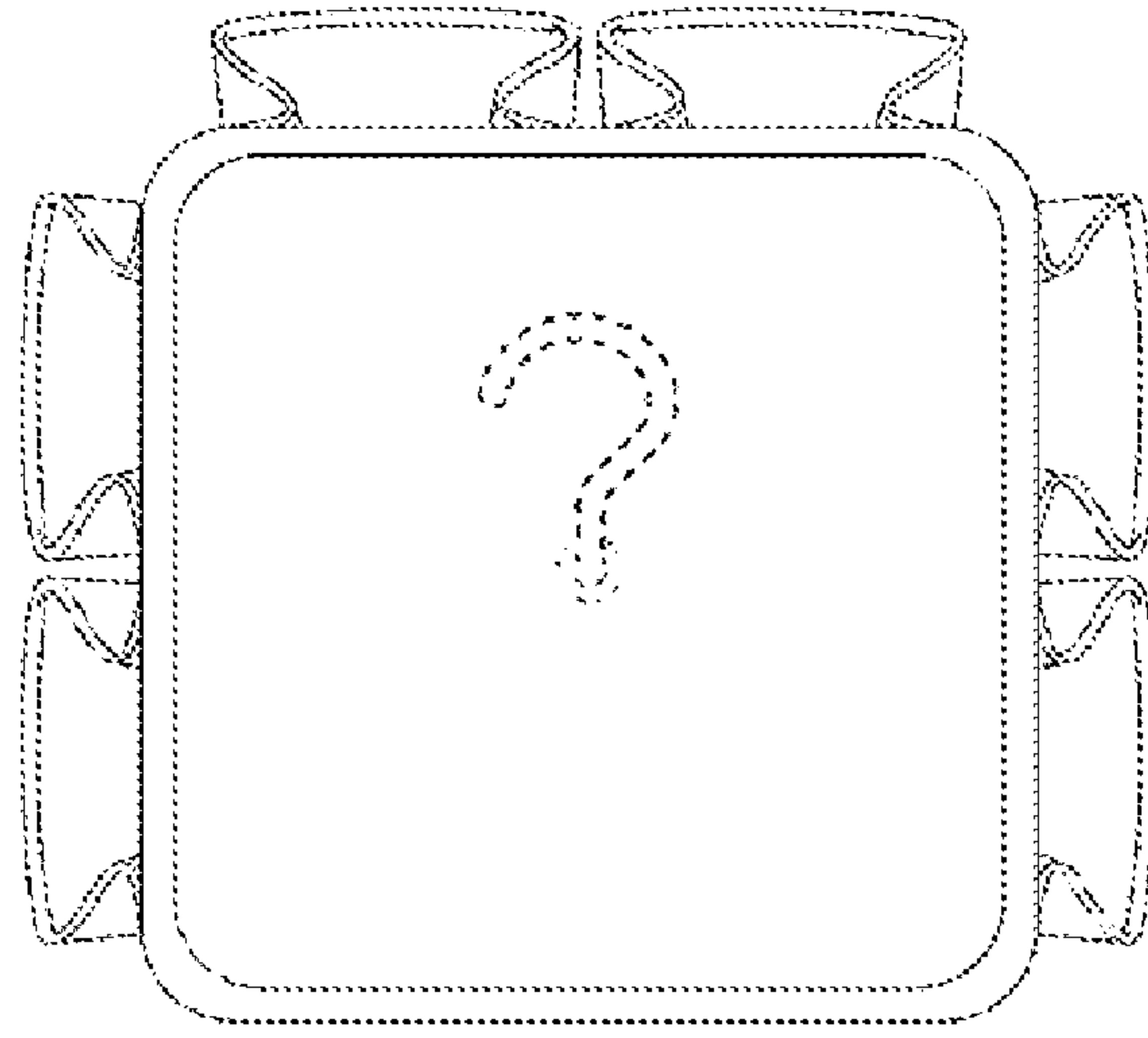


Fig. 11

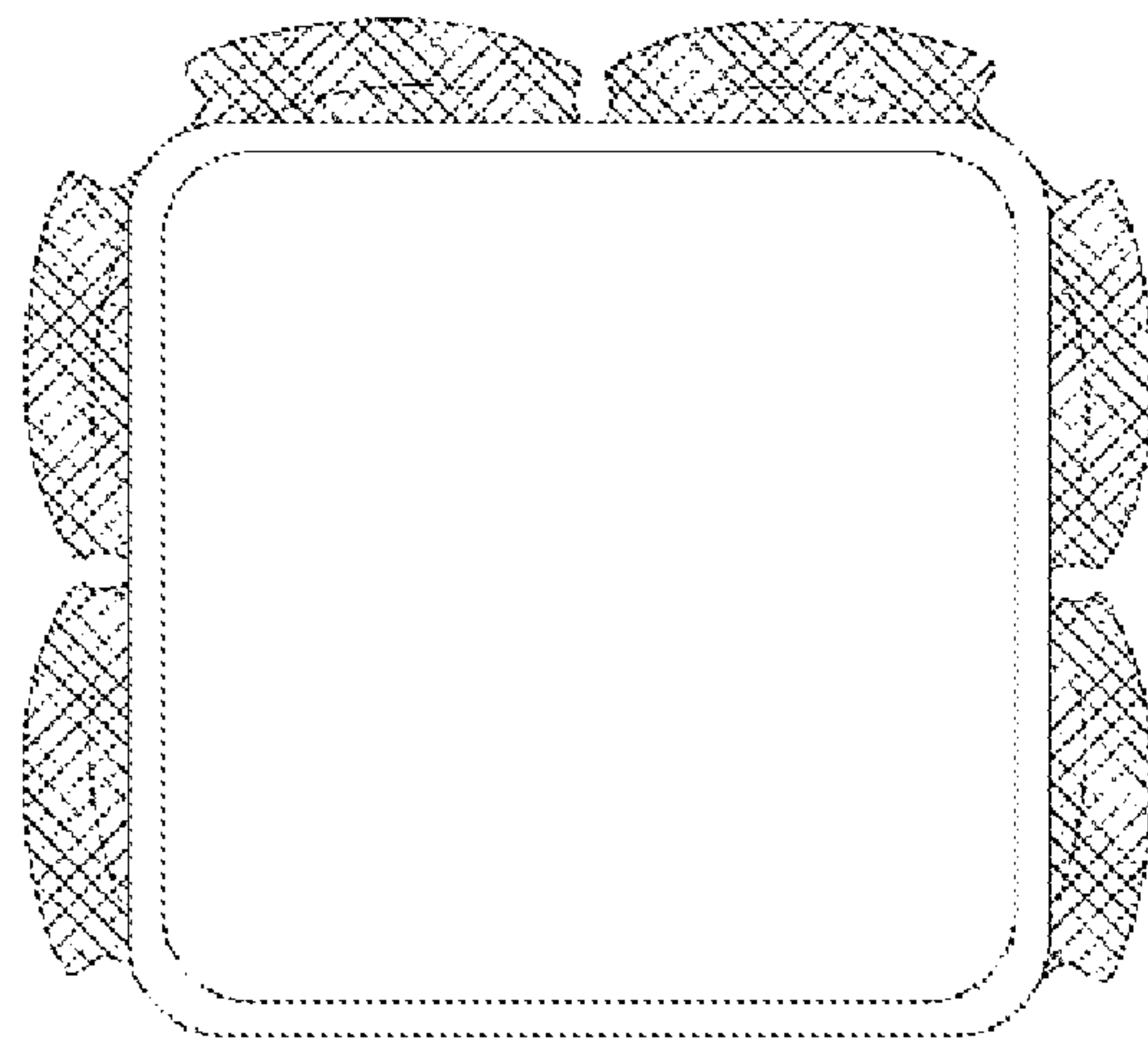


Fig. 12