



US00D646059S

(12) **United States Design Patent**  
**Park**

(10) **Patent No.:** **US D646,059 S**

(45) **Date of Patent:** **\*\* Oct. 4, 2011**

(54) **STORAGE BOX**

(75) **Inventor:** **Min Jung Park**, Seoul (KR)

(73) **Assignee:** **Lock & Lock Co., Ltd.**, Asan (KR)

(\*\*) **Term:** **14 Years**

(21) **Appl. No.:** **29/366,166**

(22) **Filed:** **Jul. 20, 2010**

(30) **Foreign Application Priority Data**

Jan. 21, 2010 (KR) ..... 30-2010-0002554

(51) **LOC (9) Cl.** ..... **03-01**

(52) **U.S. Cl.** ..... **D3/289; D3/301**

(58) **Field of Classification Search** ..... D3/272,  
D3/273, 276, 283-289, 301; 206/278; 190/19,  
190/24, 109, 115, 124-127; D7/607  
See application file for complete search history.

(56) **References Cited**

**U.S. PATENT DOCUMENTS**

D437,483 S \* 2/2001 Bisbal et al. .... D3/276  
D452,075 S \* 12/2001 Mogil ..... D3/301  
D465,649 S \* 11/2002 Sharples ..... D3/279

D496,530 S \* 9/2004 Wolf ..... D3/273  
D506,645 S \* 6/2005 Bellofatto et al. .... D7/607  
D514,317 S \* 2/2006 Conforti ..... D3/285  
D573,793 S \* 7/2008 Bakker ..... D3/301  
D575,059 S \* 8/2008 Cappiello et al. .... D3/283  
D599,550 S \* 9/2009 Turvey et al. .... D3/289  
D612,605 S \* 3/2010 Turvey et al. .... D3/289  
2005/0150807 A1 \* 7/2005 Siwak et al. .... 206/542

\* cited by examiner

*Primary Examiner* — Jennifer Rivard

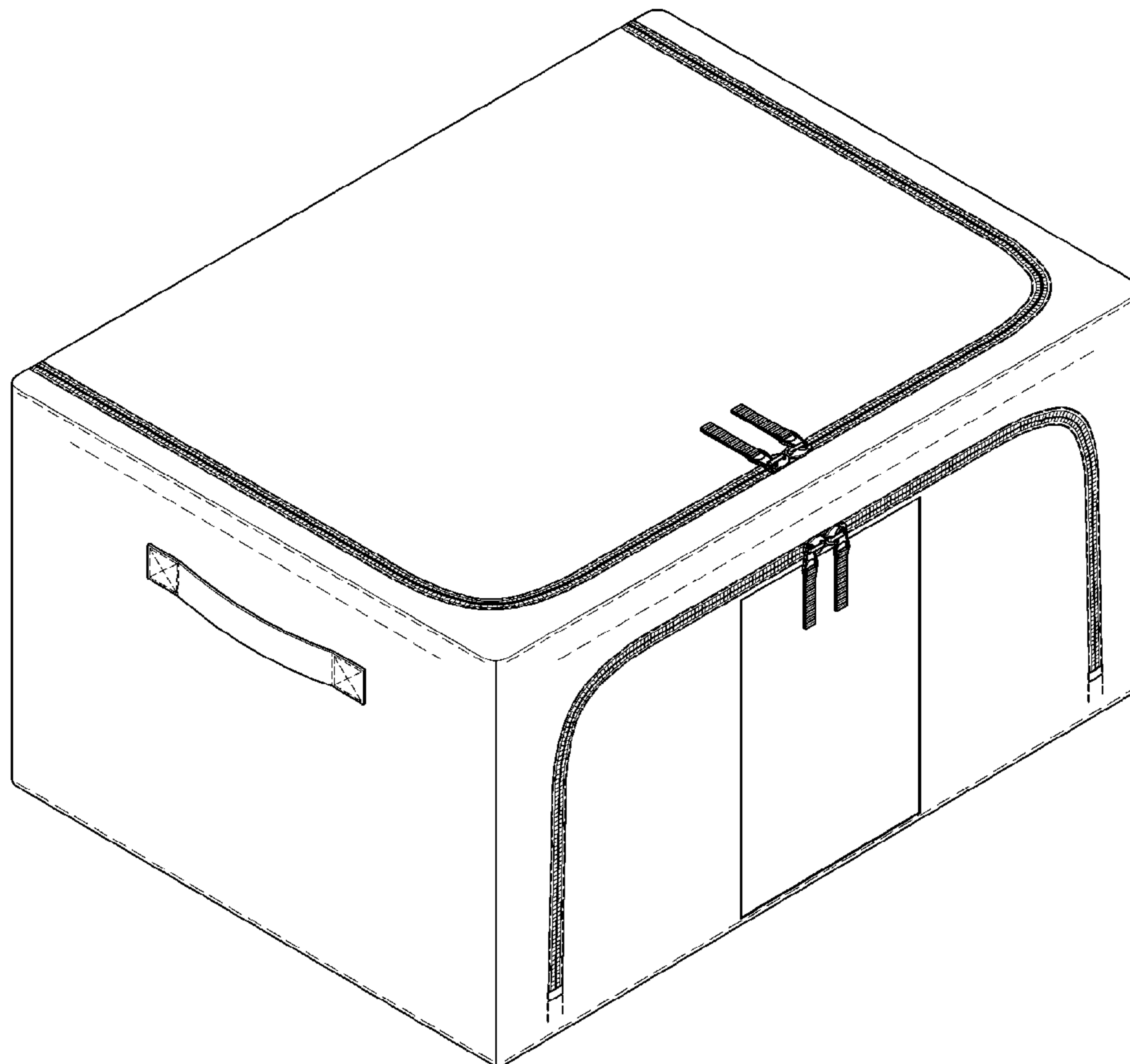
(57) **CLAIM**

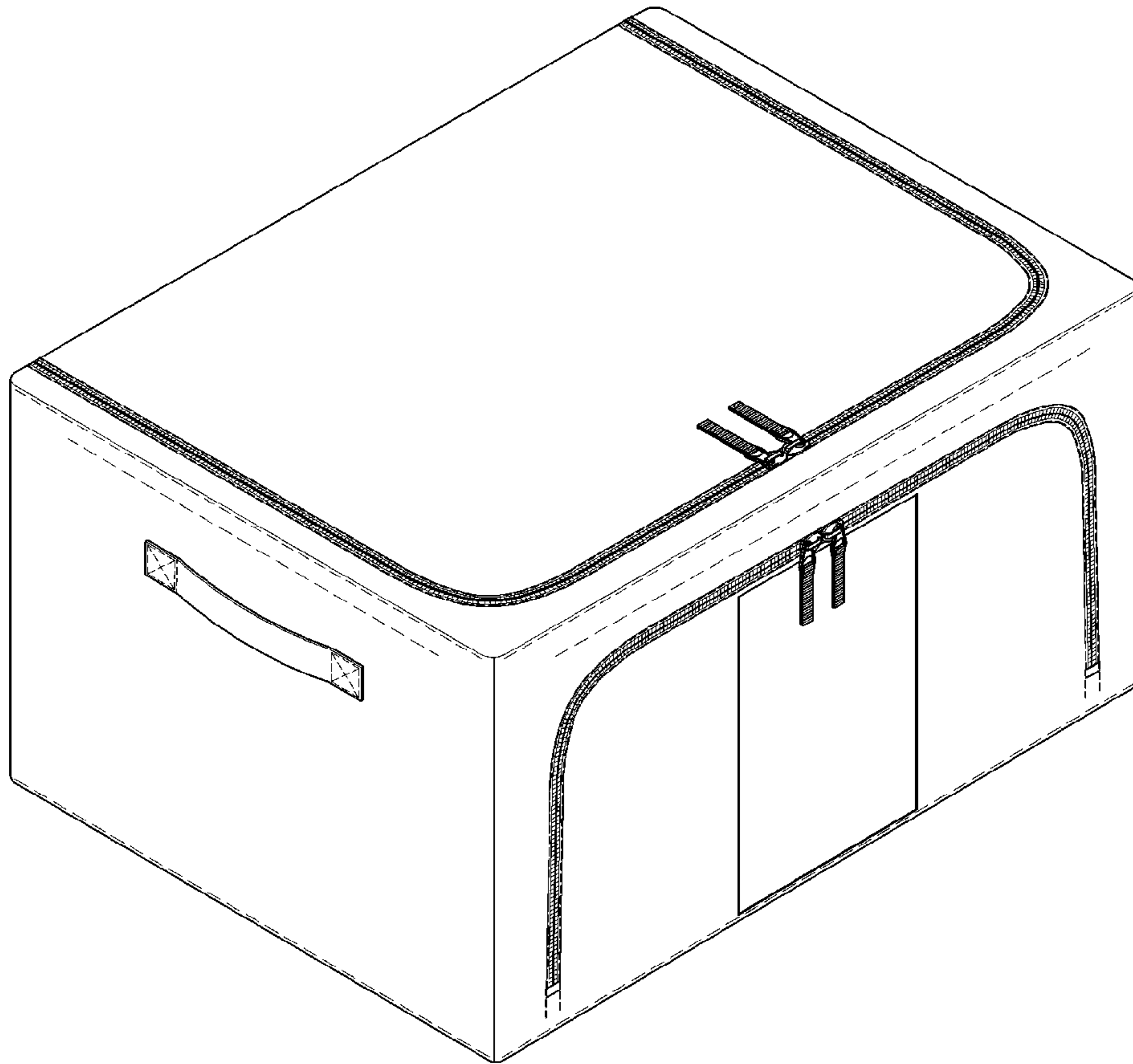
The ornamental design for the storage box, as shown and described.

**DESCRIPTION**

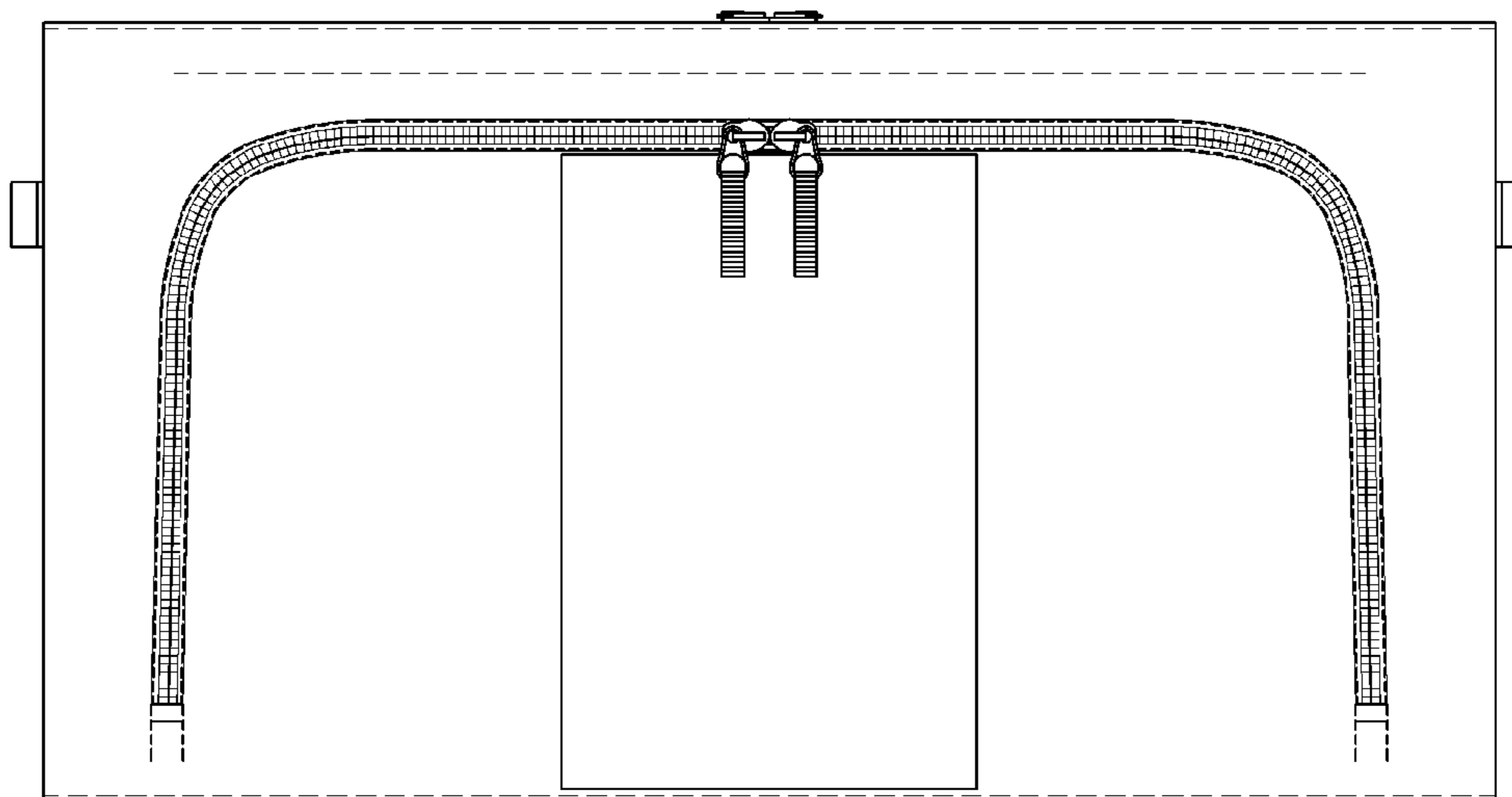
FIG. 1 is a perspective view of the storage box according to an embodiment of my design;  
FIG. 2 is a front elevational view thereof;  
FIG. 3 is a rear elevational view thereof;  
FIG. 4 is a left side elevational view thereof, the right side is a mirror image of the left side view;  
FIG. 5 is a top plan view thereof; and,  
FIG. 6 is a bottom plan view thereof.  
All broken lines illustrate stitching and are part of the claimed design.

**1 Claim, 3 Drawing Sheets**

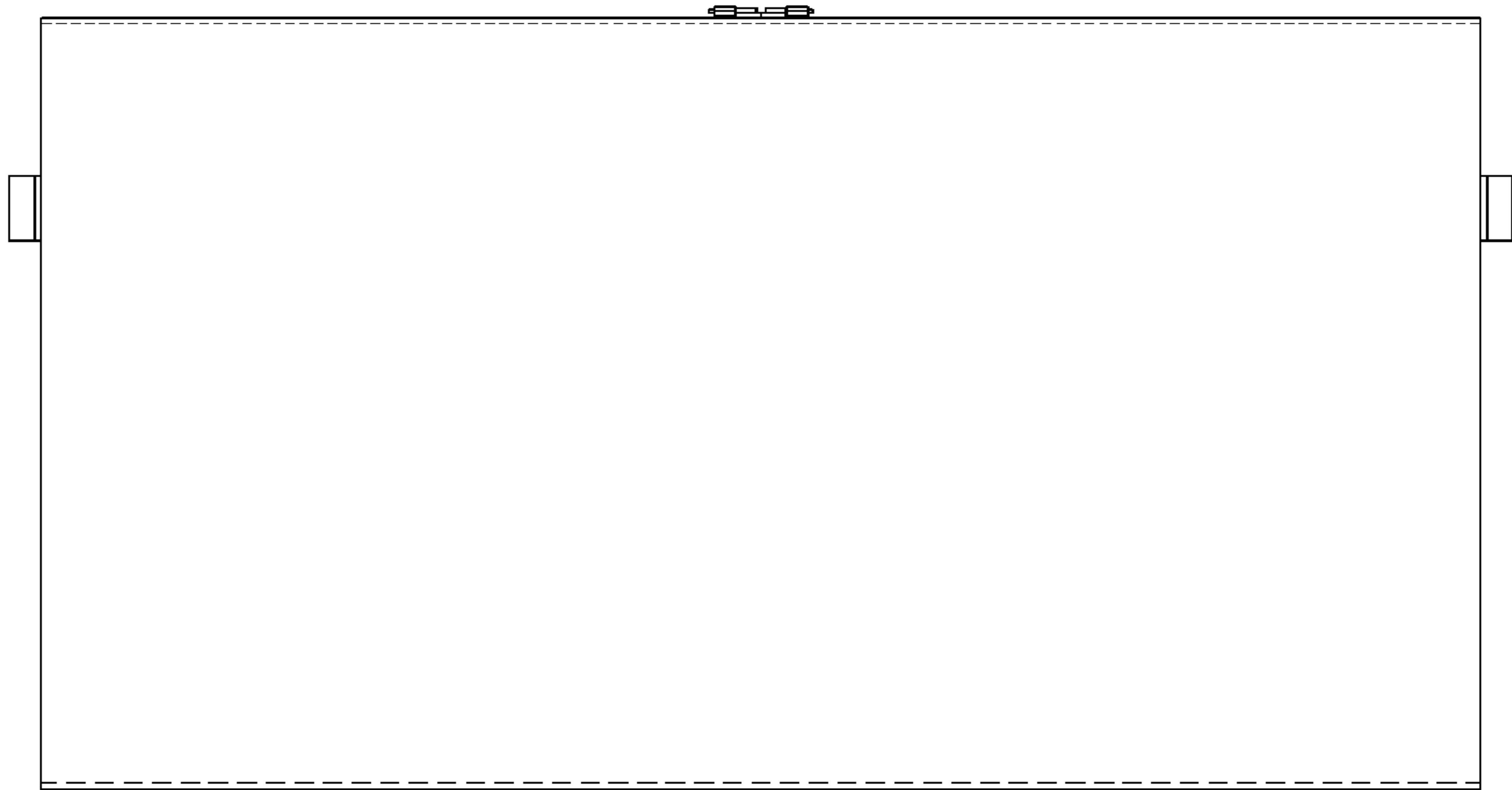




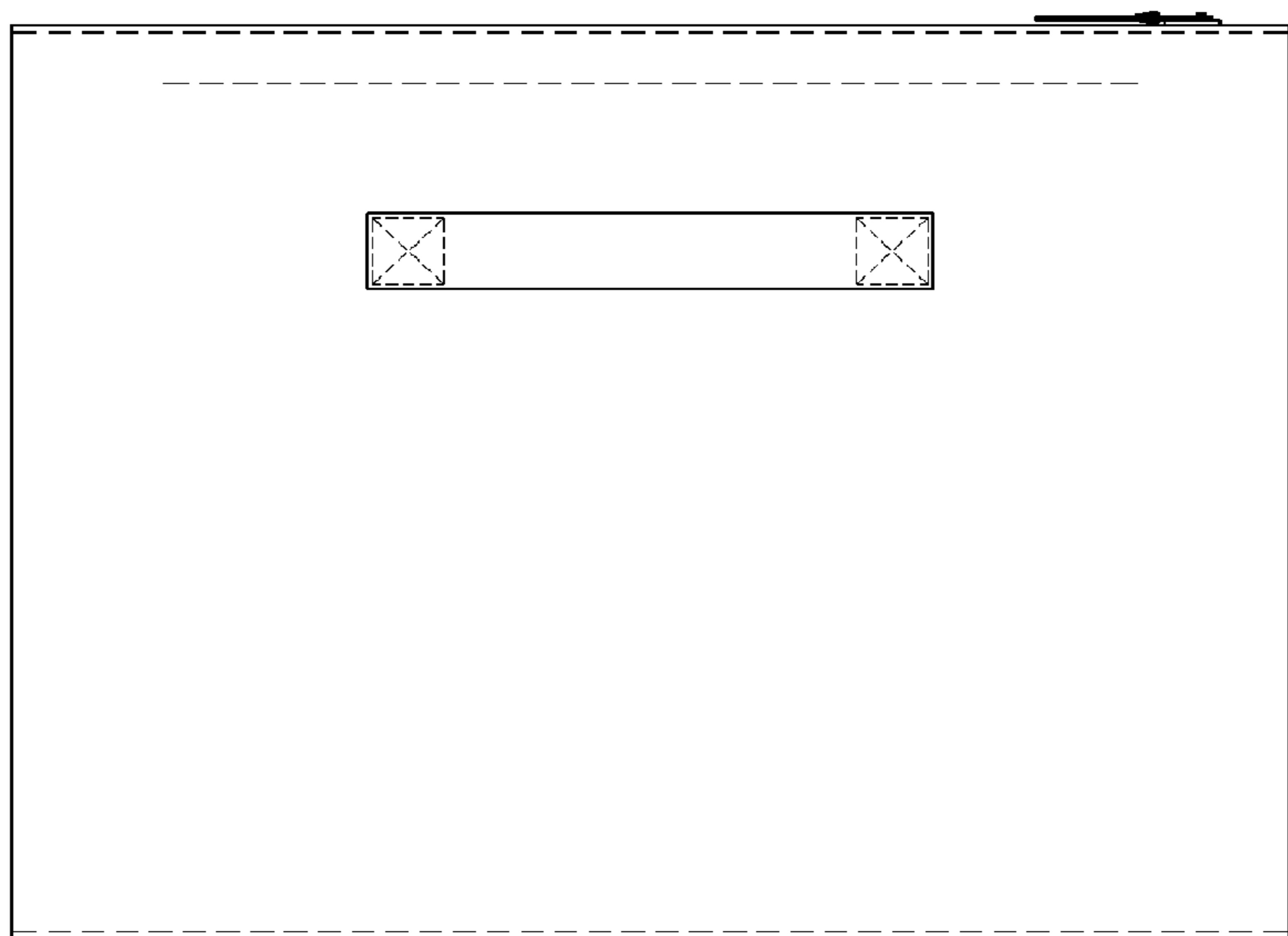
*FIG. 1*



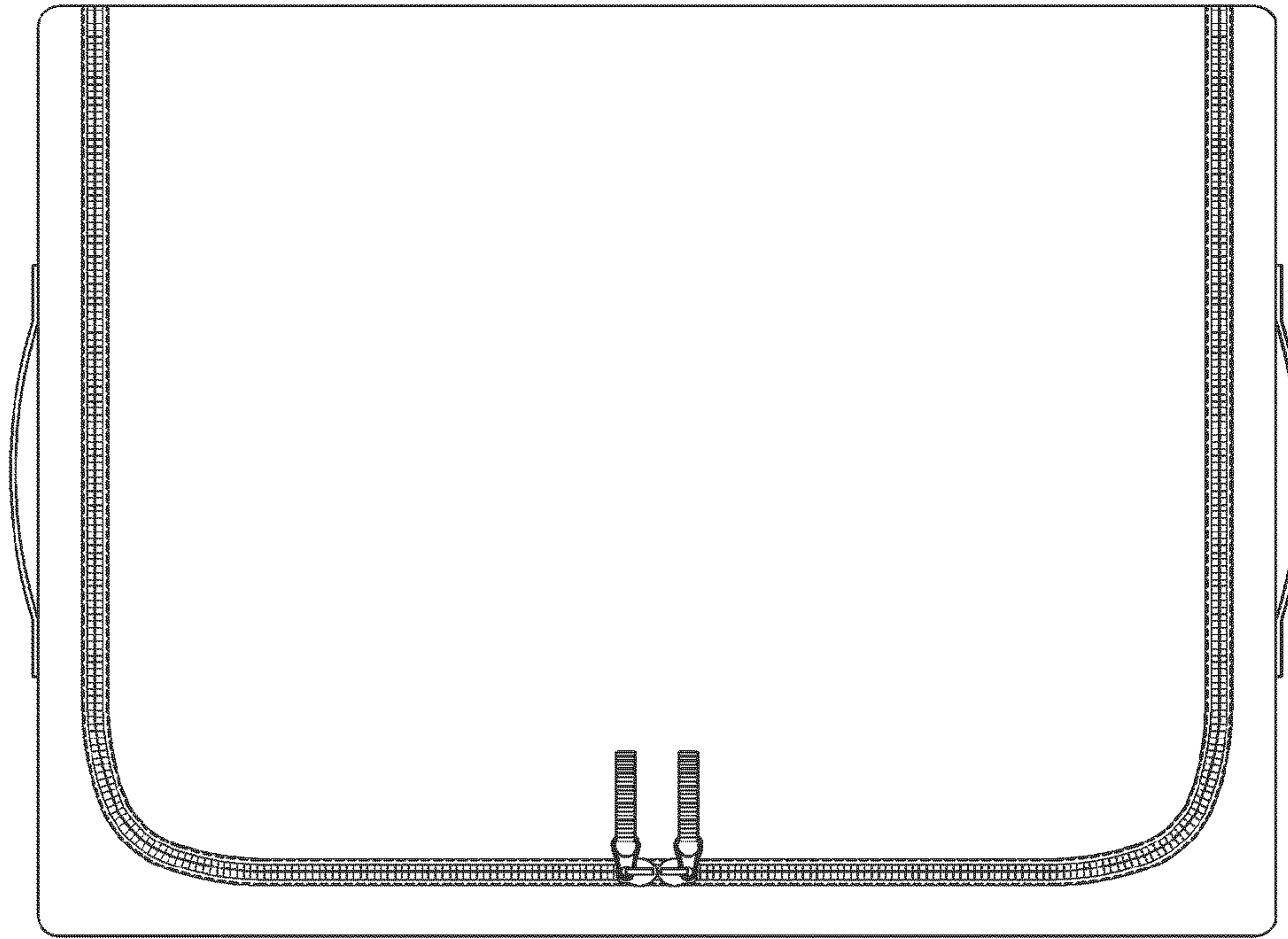
*FIG. 2*



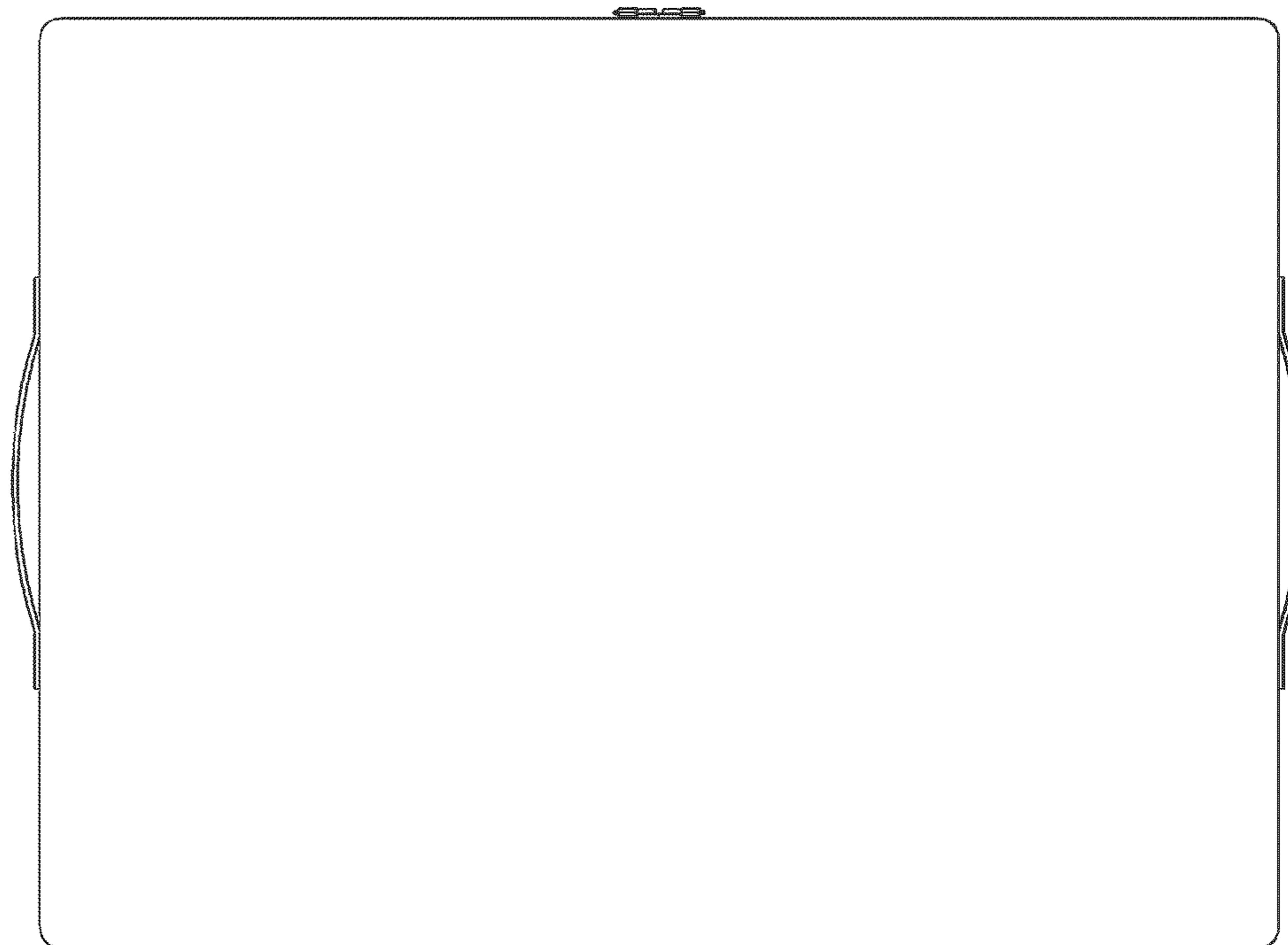
**FIG. 3**



**FIG. 4**



*FIG. 5*



*FIG. 6*