



US00D646056S

(12) **United States Design Patent**
Kanner et al.

(10) **Patent No.:** **US D646,056 S**
(45) **Date of Patent:** **** Oct. 4, 2011**

(54) **CONTACT LENS CASE**
(75) Inventors: **Rowland W. Kanner**, Guntersville, AL (US); **Brian A. Roberts**, Brownsboro, AL (US)

(73) Assignee: **Atrion Medical Products, Inc.**, Arab, AL (US)

(**) Term: **14 Years**

(21) Appl. No.: **29/382,036**

(22) Filed: **Dec. 28, 2010**

(51) **LOC (9) Cl.** **03-01**

(52) **U.S. Cl.** **D3/264**

(58) **Field of Classification Search** D3/264-266, D3/201; D16/331, 263; D7/509, 538, 510, D7/511, 523; D9/500, 503, 504; 206/5, 206/5.1, 316.1; 220/669, 670, 673, 675
See application file for complete search history.

(56) **References Cited**

U.S. PATENT DOCUMENTS

D117,705 S *	11/1939	Abrams	D9/746
3,052,246 A *	9/1962	Beard	134/155
3,645,284 A *	2/1972	Krezanoski et al.	134/166 R
4,890,729 A *	1/1990	Ranalletta	206/5.1
5,089,240 A	2/1992	Perlaky		
5,186,317 A *	2/1993	Ryder et al.	206/5.1
5,196,174 A *	3/1993	Cerola et al.	422/300
D341,615 S *	11/1993	Ifejika	D24/218
5,270,002 A *	12/1993	Neff et al.	422/30
5,366,078 A *	11/1994	Braun	206/5.1
5,388,686 A *	2/1995	Kanner et al.	206/5.1
D356,591 S	3/1995	Kanner et al.		
D366,361 S *	1/1996	Kanner et al.	D3/264
6,000,534 A	12/1999	Koomruian, Jr.		
D420,744 S	2/2000	Ostgaard et al.		
6,148,992 A	11/2000	Kanner et al.		
6,688,487 B2	2/2004	Oakes et al.		

6,945,389 B2 9/2005 Scherer et al.
D571,610 S 6/2008 Bodum
D624,789 S 10/2010 Bodum

* cited by examiner

Primary Examiner — Holly Baynham
Assistant Examiner — Michelle E Wilson
(74) *Attorney, Agent, or Firm* — Clark Hill PLC

(57) **CLAIM**

The ornamental design for a contact lens case, as shown and described.

DESCRIPTION

FIG. 1 is a perspective view of a contact lens case showing my new design;
FIG. 2 is a side elevational view thereof;
FIG. 3 is a side elevational view of the side opposite the side shown in FIG. 2;
FIG. 4 is a front elevational view thereof;
FIG. 5 is a rear elevational view thereof;
FIG. 6 is a top plan view thereof;
FIG. 7 is a bottom plan view thereof;
FIG. 8 is a perspective view of the integral cap and lens support structure of the contact lens case, with the cage doors shown open;
FIG. 9 is a top plan view thereof;
FIG. 10 is a front elevational view thereof;
FIG. 11 is a rear elevational view thereof;
FIG. 12 is a side elevational view thereof, with the cage doors closed;
FIG. 13 is a side elevational view of the side opposite the side shown in FIG. 12, thereof; and,
FIG. 14 is a bottom plan view with the cage doors shown open.
The elements of the claimed design in FIGS. 8-14 are shown separate for clarity and ease of illustration.

1 Claim, 5 Drawing Sheets

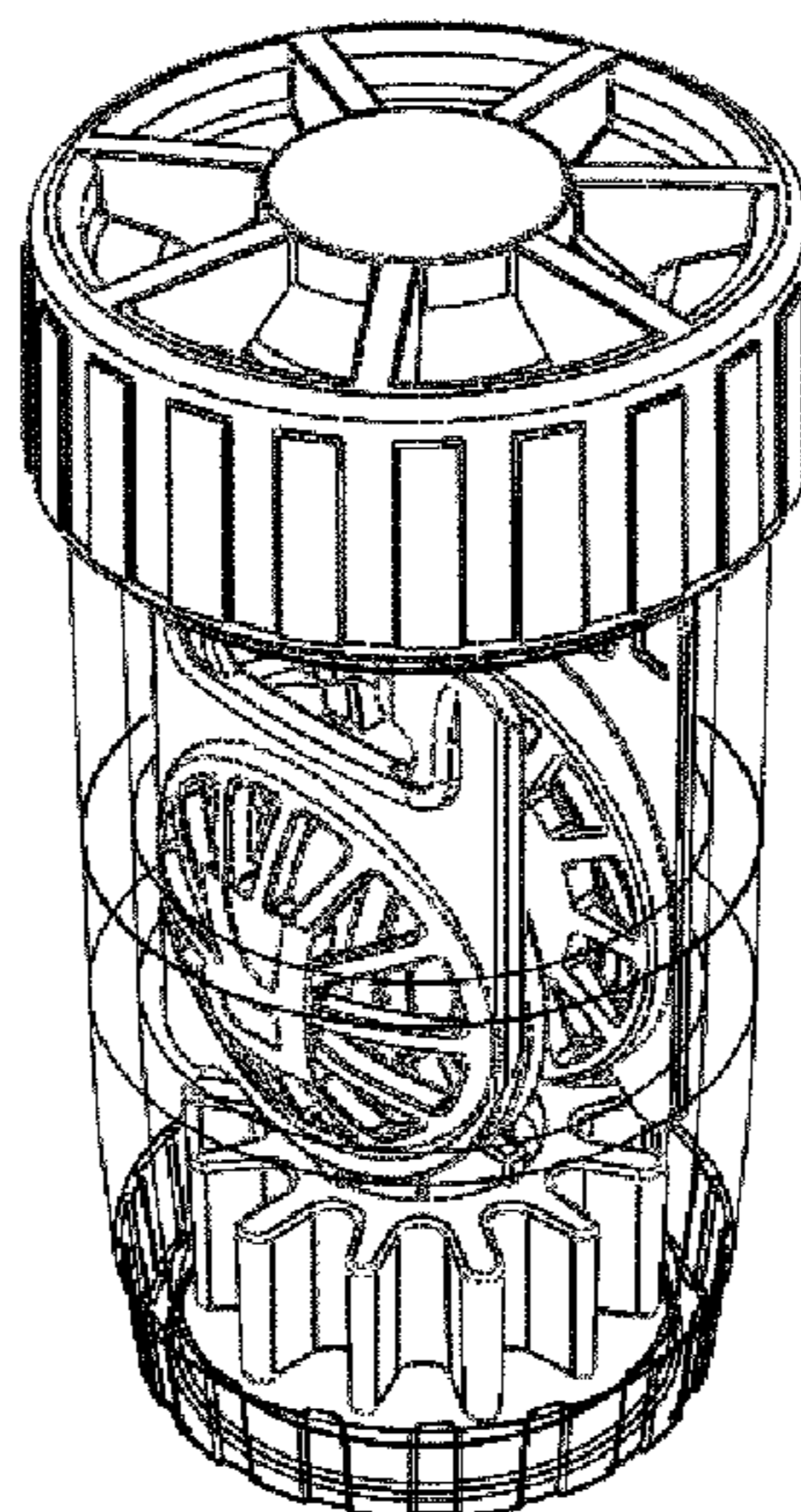


FIG. 1

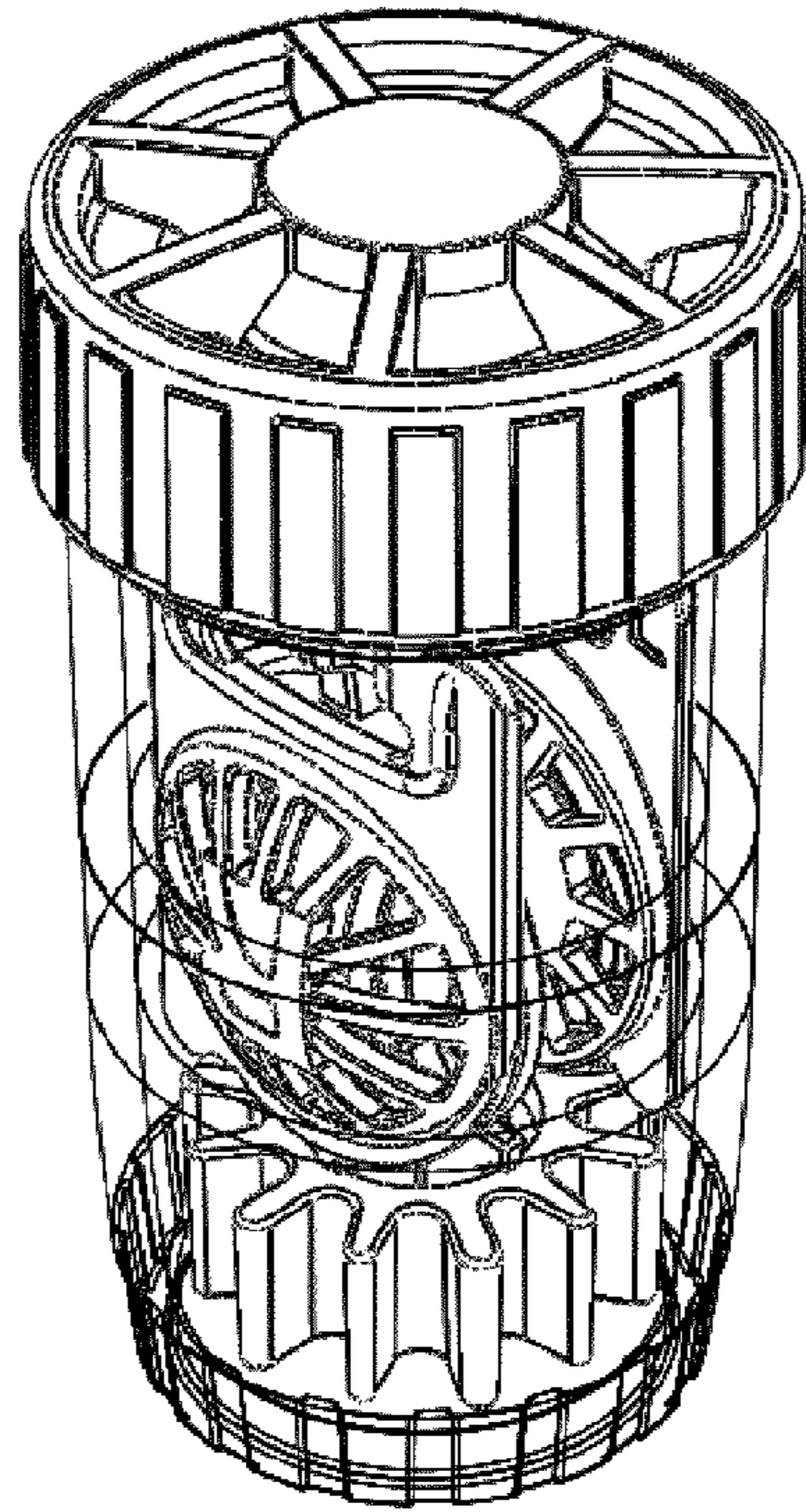


FIG. 2

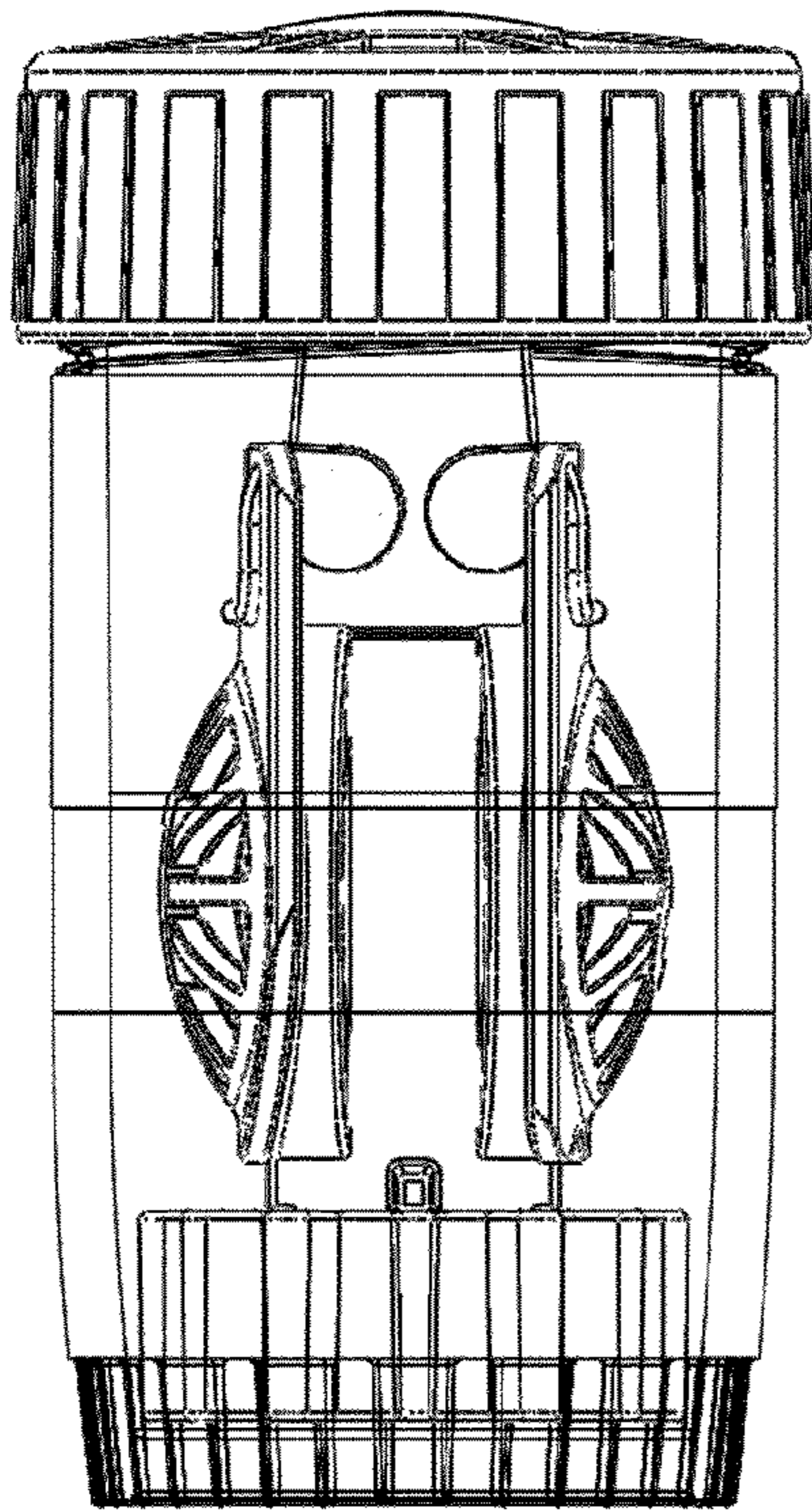


FIG. 3

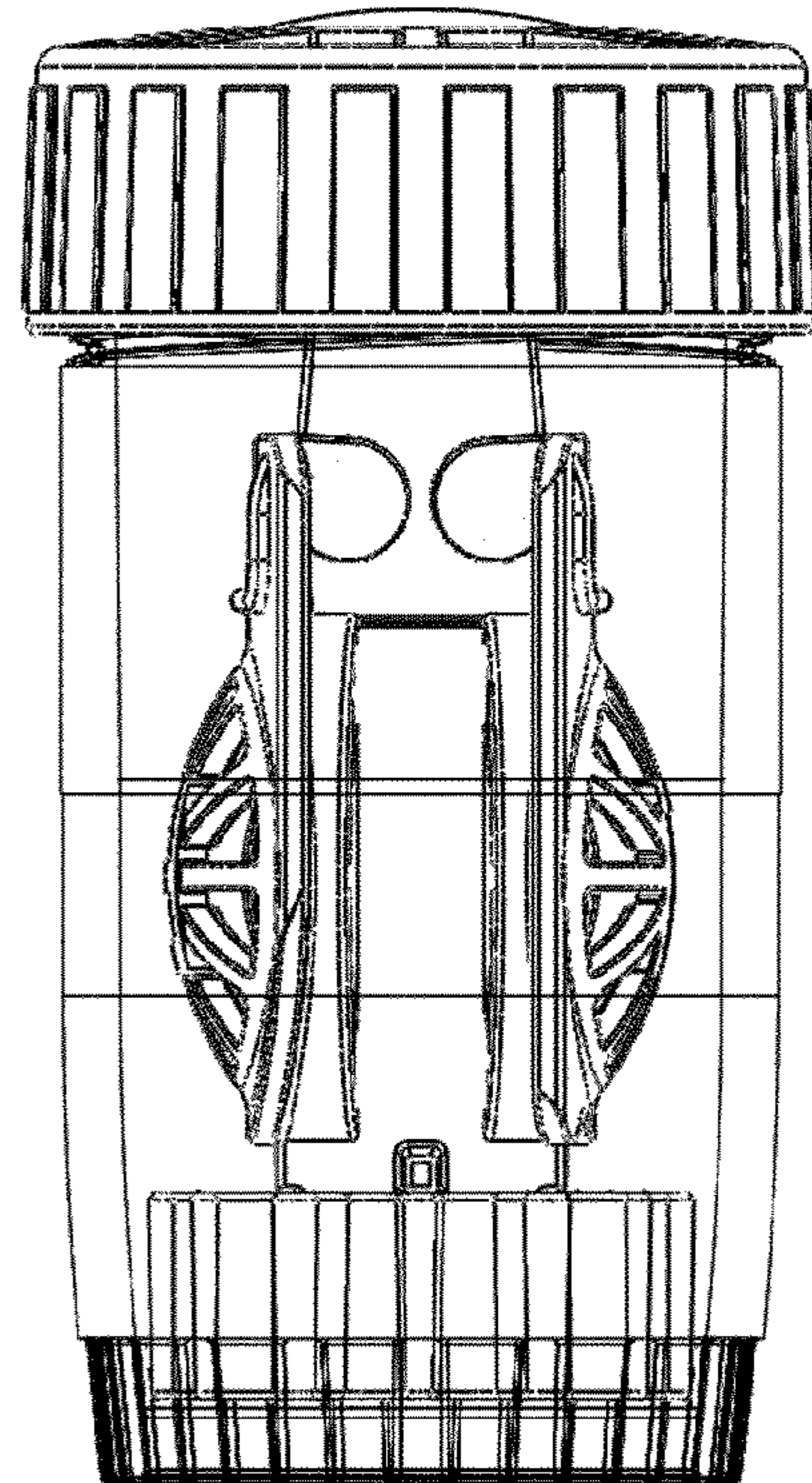


FIG. 4

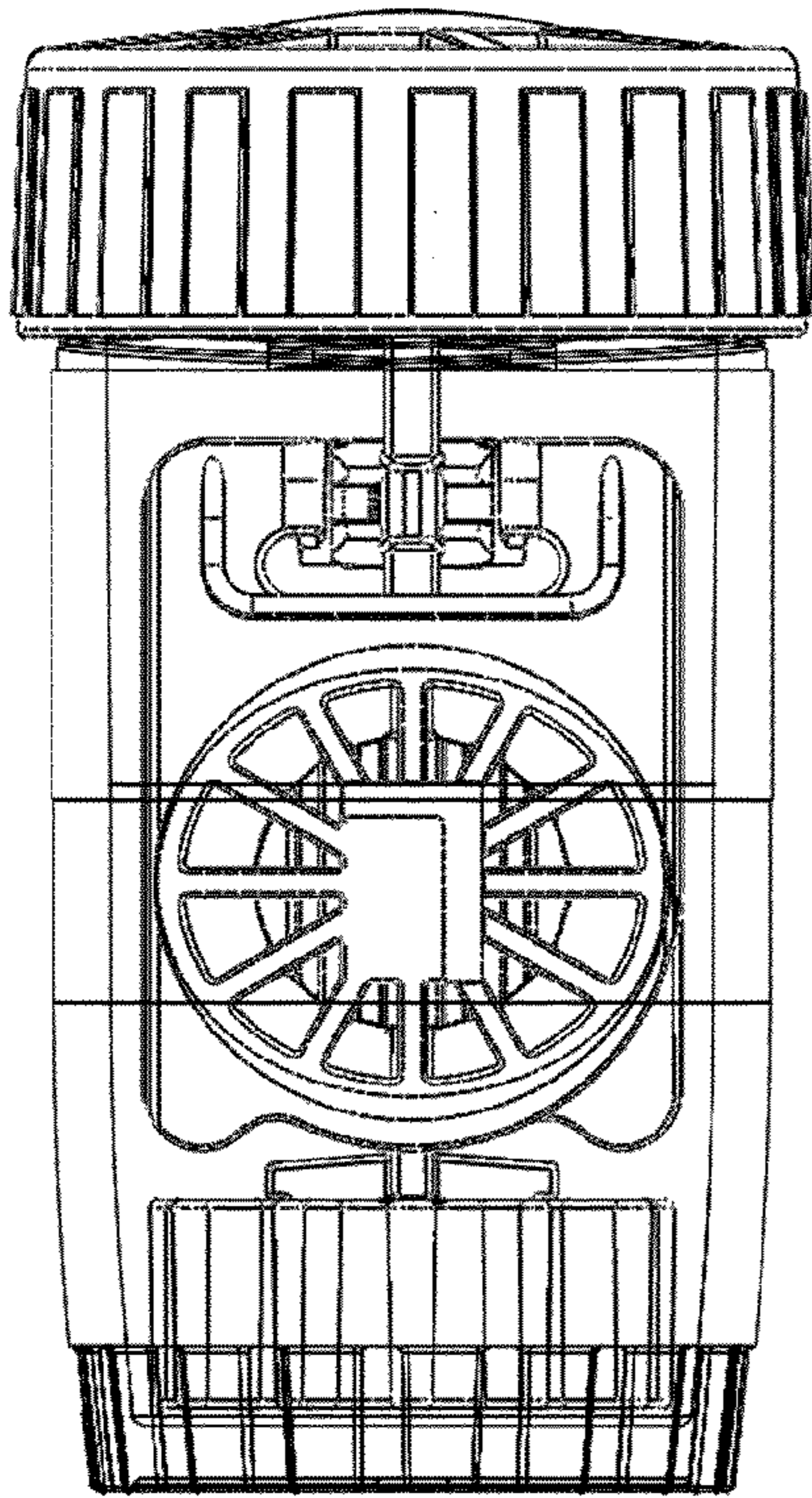


FIG. 5

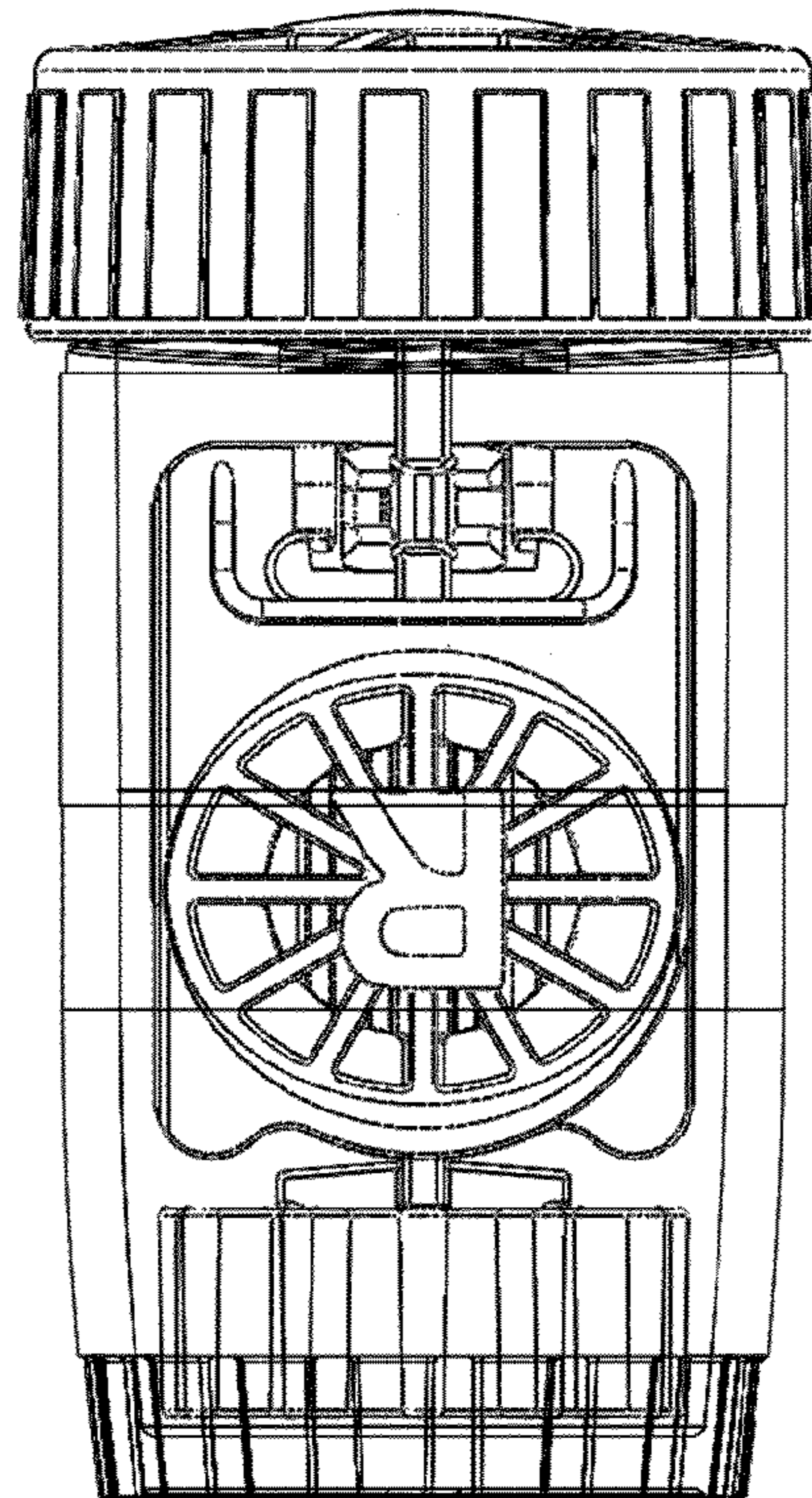


FIG. 6

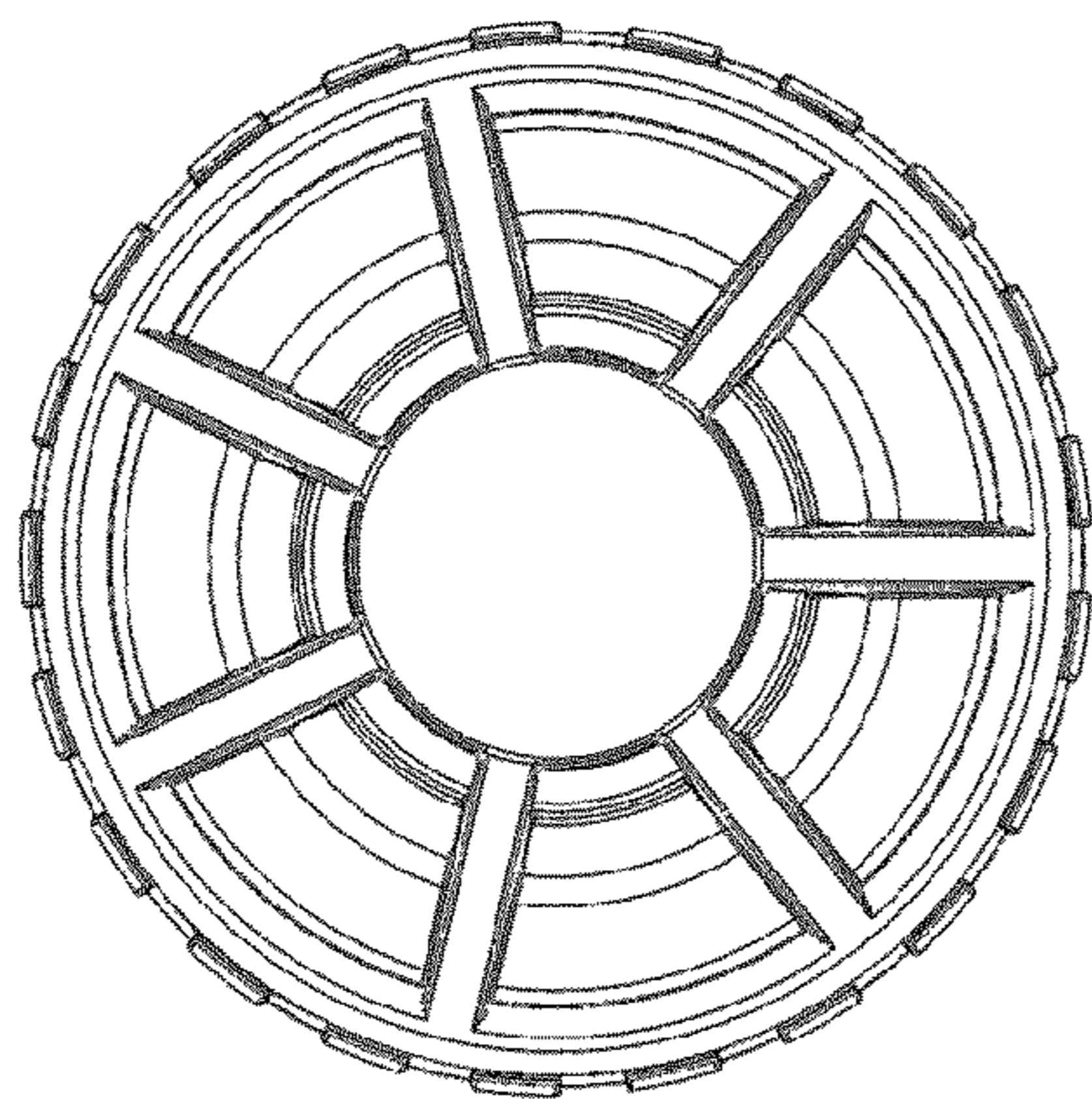


FIG. 7

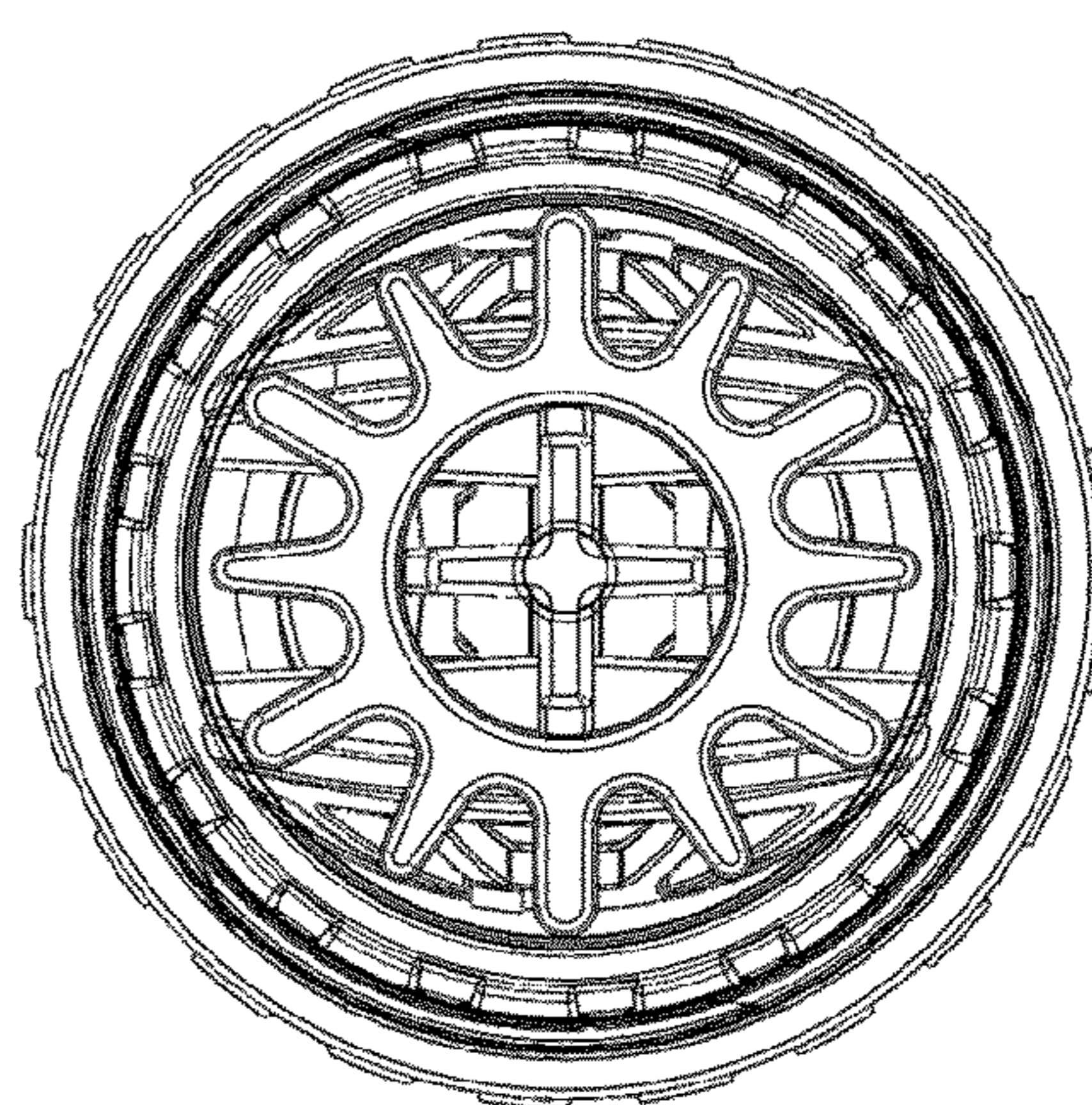


FIG. 8

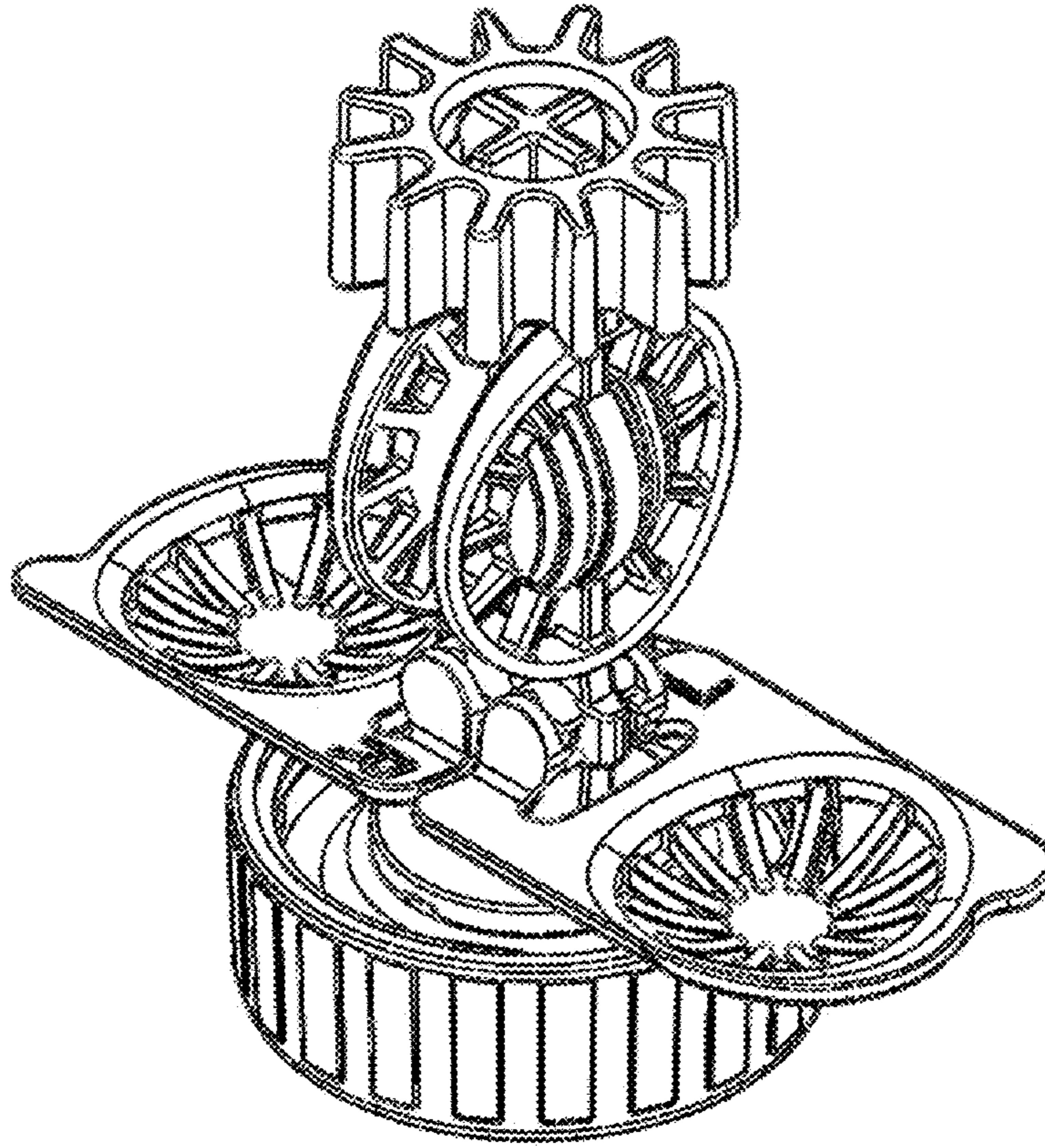


FIG. 9

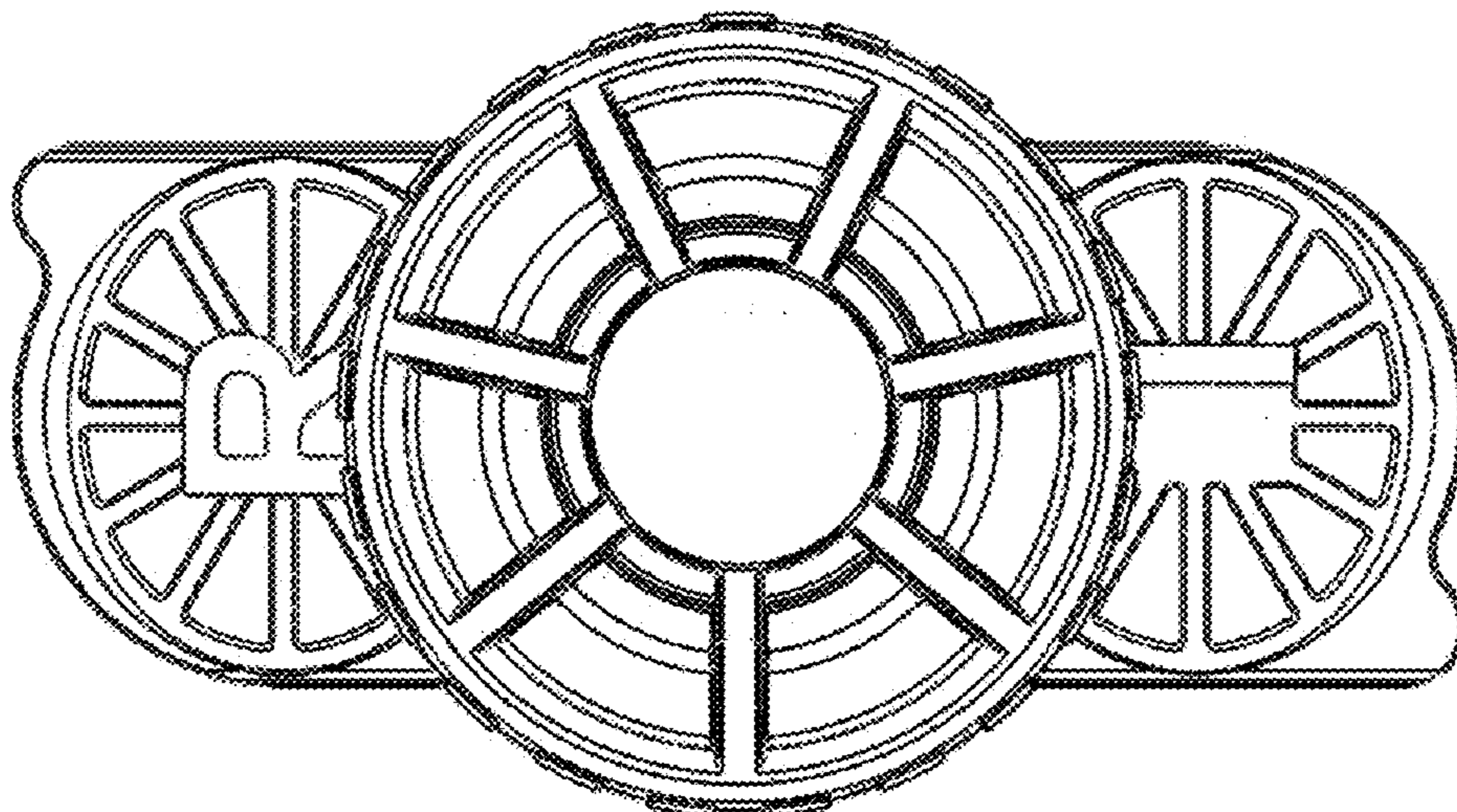


FIG. 10

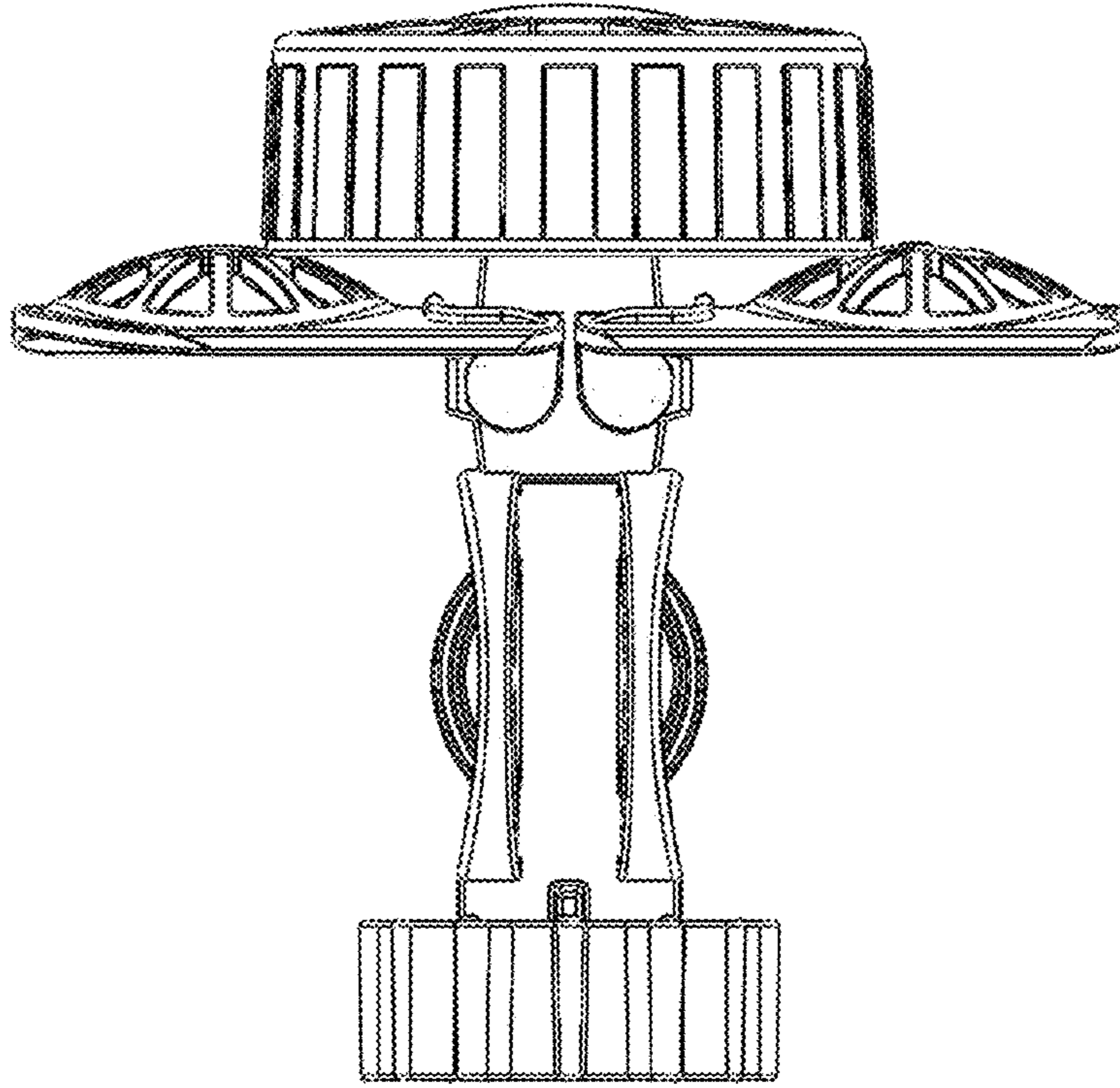


FIG. 11

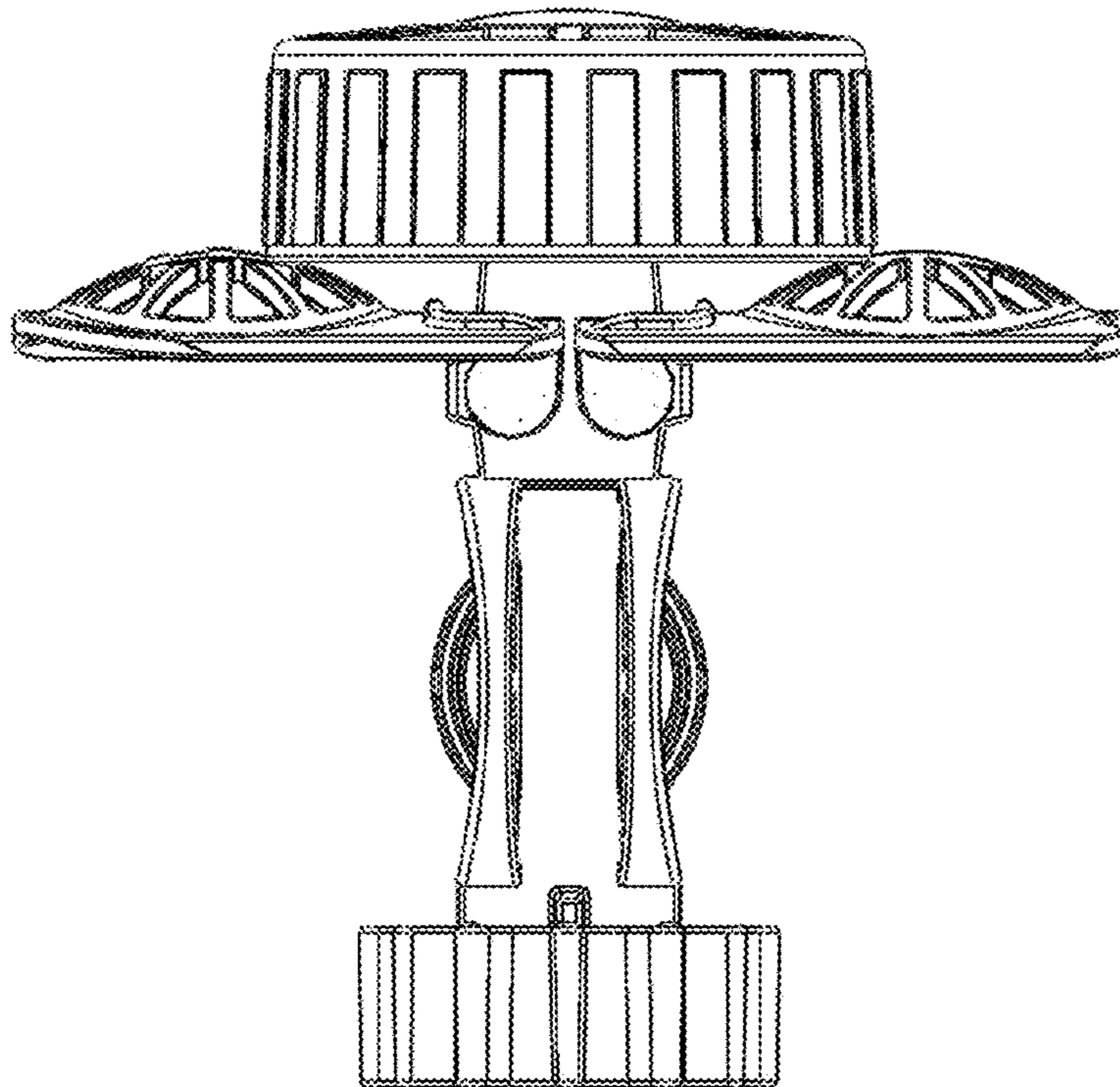


FIG. 12

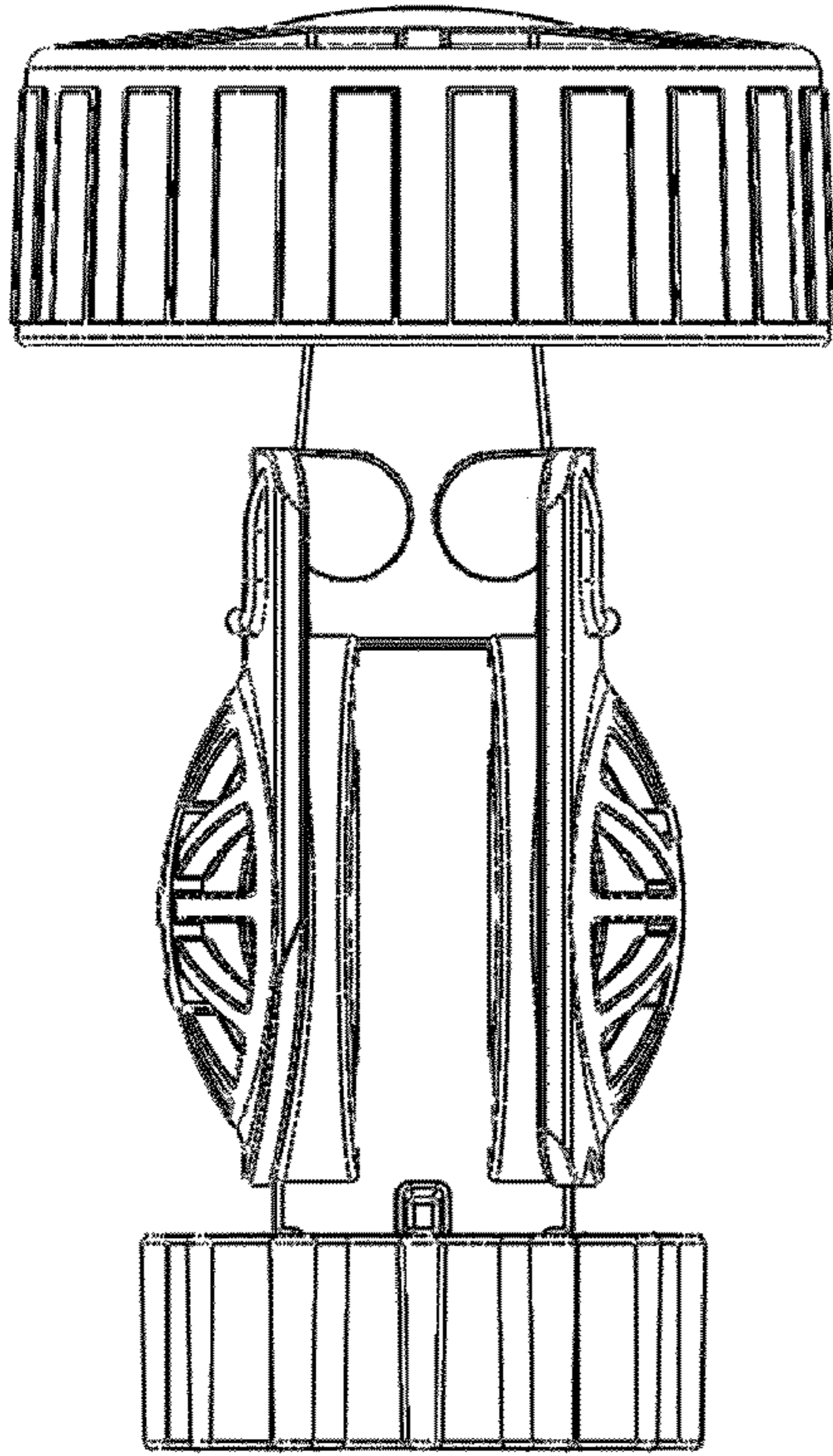


FIG. 13

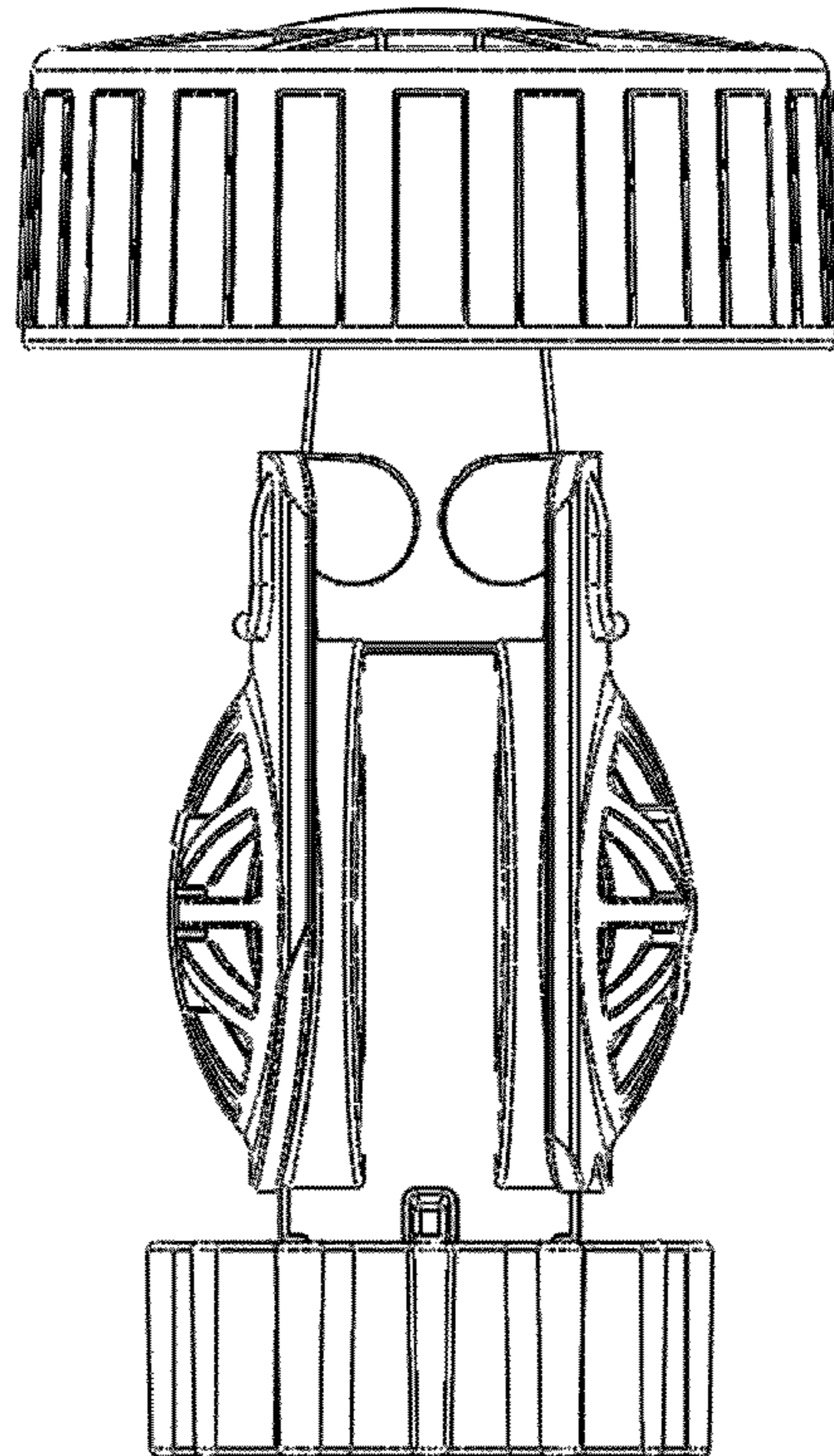


FIG. 14

