



US00D646045S

(12) **United States Design Patent**
Stamper et al.

(10) **Patent No.:** **US D646,045 S**

(45) **Date of Patent:** **** Sep. 27, 2011**

(54) **ELECTRONIC BANK**

(75) Inventors: **Leonard R. Stamper**, Anaheim Hills,
CA (US); **Brian Sykes**, Mission Viejo,
CA (US)

(73) Assignee: **Shye Worldwide, LLC**, Tustin, CA (US)

(**) Term: **14 Years**

(21) Appl. No.: **29/383,957**

(22) Filed: **Jan. 25, 2011**

(51) **LOC (9) Cl.** **99-00**

(52) **U.S. Cl.** **D99/35**

(58) **Field of Classification Search** D99/28,
D99/34, 35, 36, 37, 43; D20/4, 5; D3/272,
D3/273; D12/423; D18/3.1, 3.3; 446/8,
446/9, 10, 11, 12; 453/3, 9; 221/10; 232/1 D,
232/9, 55, 64; D9/500, 537-540, 556, 557;
D7/629

See application file for complete search history.

D388,584 S *	12/1997	Sugawara	D99/35
D416,660 S *	11/1999	Lin	D23/226
D419,071 S *	1/2000	Peters et al.	D9/453
D428,815 S *	8/2000	Mooney et al.	D9/520
D432,755 S *	10/2000	Perkitny et al.	D99/34
D451,393 S *	12/2001	Gerhart et al.	D9/453
D471,692 S *	3/2003	Scandiuizzi	D99/35
D482,974 S *	12/2003	Nottingham et al.	D9/531
D500,679 S *	1/2005	Walsh et al.	D9/522
D510,034 S *	9/2005	Hong et al.	D9/645
D513,105 S *	12/2005	Yeung	D99/35
D567,086 S *	4/2008	Buchman et al.	D9/454
D570,700 S *	6/2008	Laupie	D9/540
D610,775 S *	2/2010	Messner	D99/34
D624,822 S *	10/2010	Lovelace et al.	D9/540
D634,095 S *	3/2011	Messner	D99/34

* cited by examiner

Primary Examiner — Elizabeth J Oswecki

(74) *Attorney, Agent, or Firm* — Curtis L. Harrington;
Harrington & Harrington

(57) **CLAIM**

The ornamental design for an electronic bank, as shown and described.

DESCRIPTION

FIG. 1 is a perspective view of a electronic bank;
FIG. 2 is a front view,
FIG. 3 is a rear view,
FIG. 4 is a left side view;
FIG. 5 is a right side view;
FIG. 6 is a bottom view; and,
FIG. 7 is a top view.
In the drawings, the broken lines in FIGS. 1 and 7 depict portions of the design that form no part of the claim.

1 Claim, 4 Drawing Sheets

(56) **References Cited**

U.S. PATENT DOCUMENTS

D117,935 S *	12/1939	Prince	D99/35
D135,541 S *	4/1943	Smith	D99/35
D156,640 S *	12/1949	Love	D99/35
2,709,037 A *	5/1955	Bower	232/4 R
3,073,432 A *	1/1963	Low et al.	206/0.82
3,447,709 A *	6/1969	Marasco	215/221
D268,650 S *	4/1983	Kirstine	D9/450
D288,667 S *	3/1987	Miner	D9/443
D296,029 S *	5/1988	Knox	D99/35
4,981,230 A *	1/1991	Marshall et al.	215/252
D330,332 S *	10/1992	Pezzoli et al.	D9/435

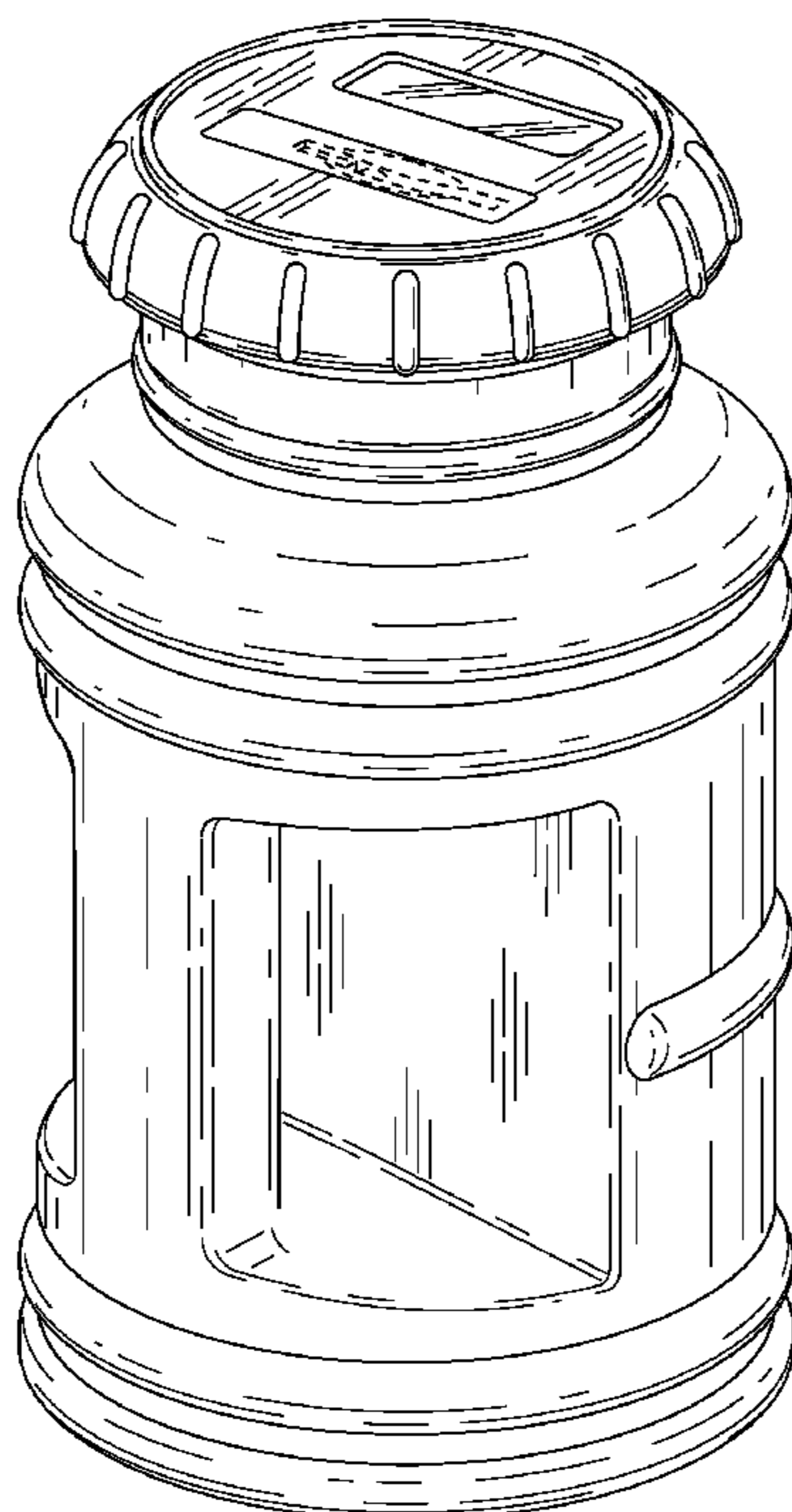


FIG. 1

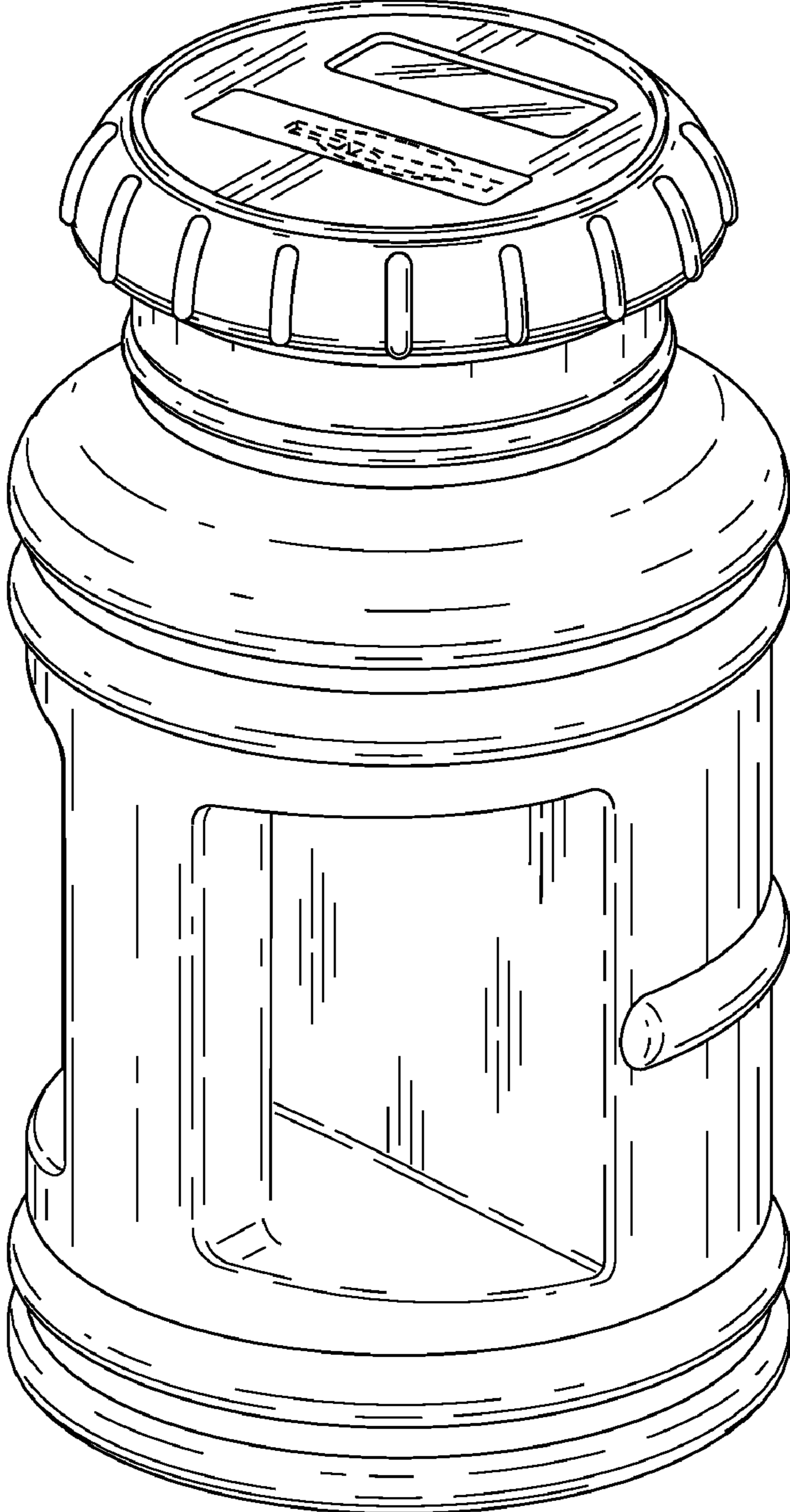


FIG. 3

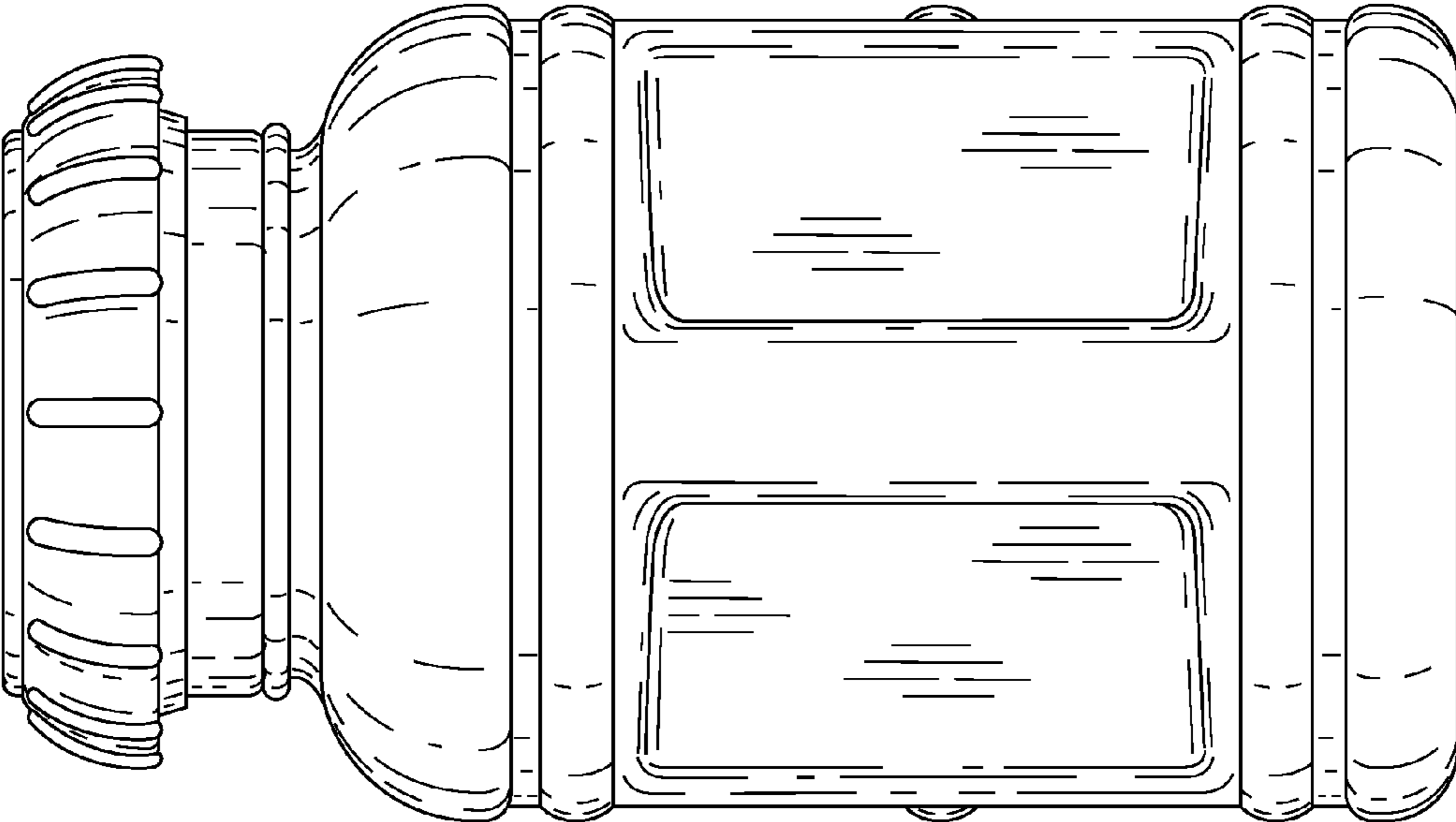


FIG. 2

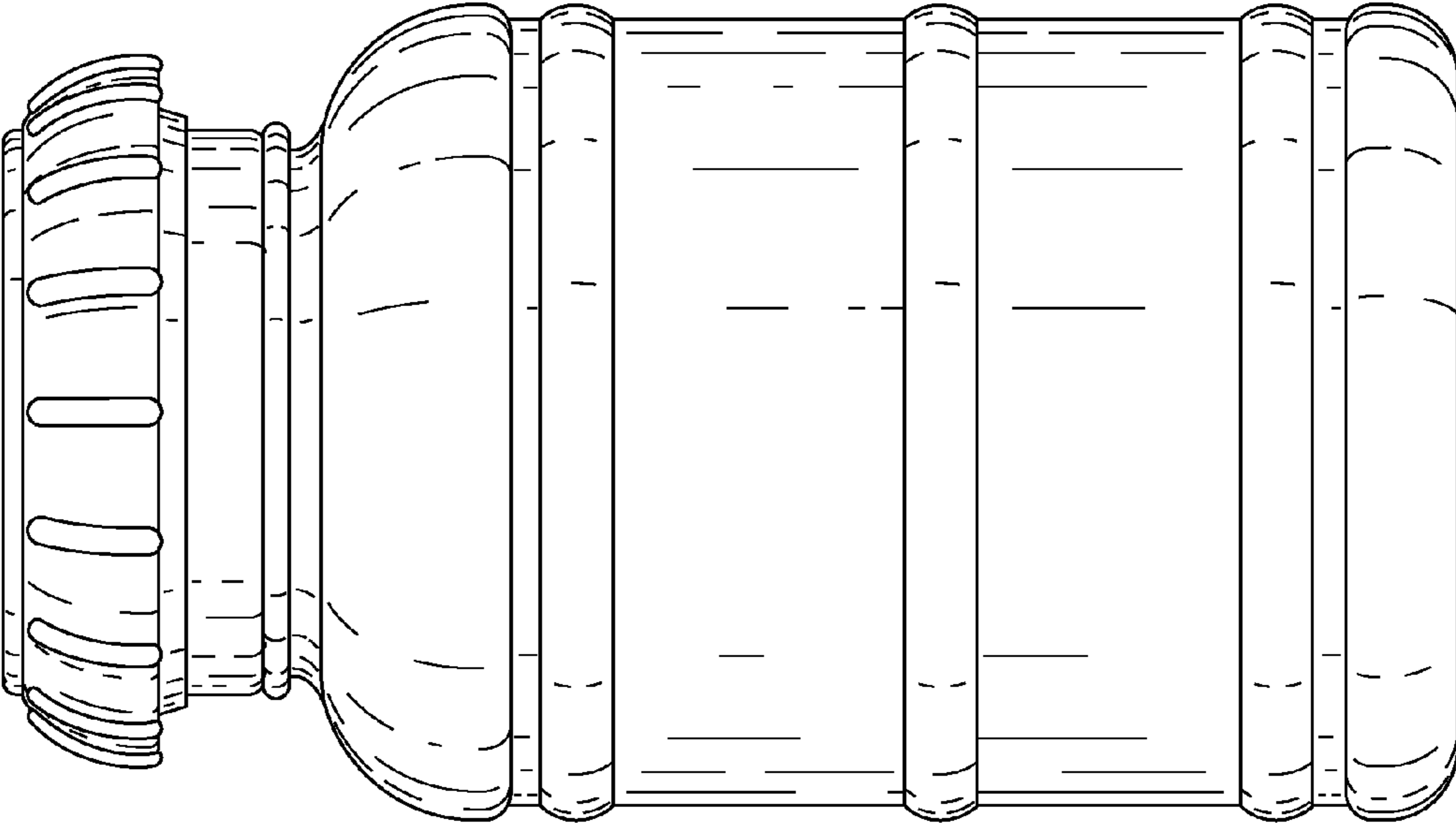


FIG. 5

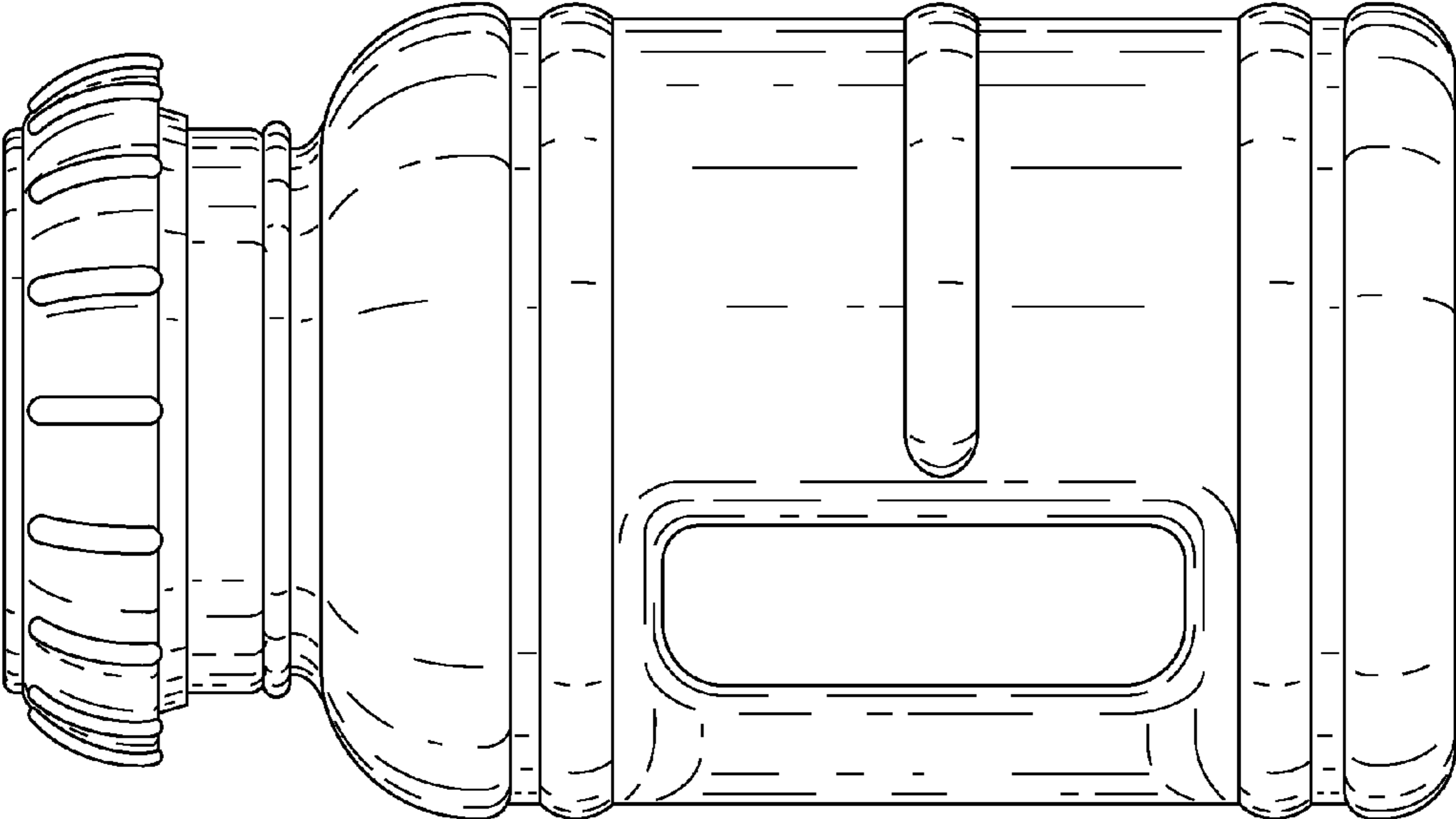


FIG. 4

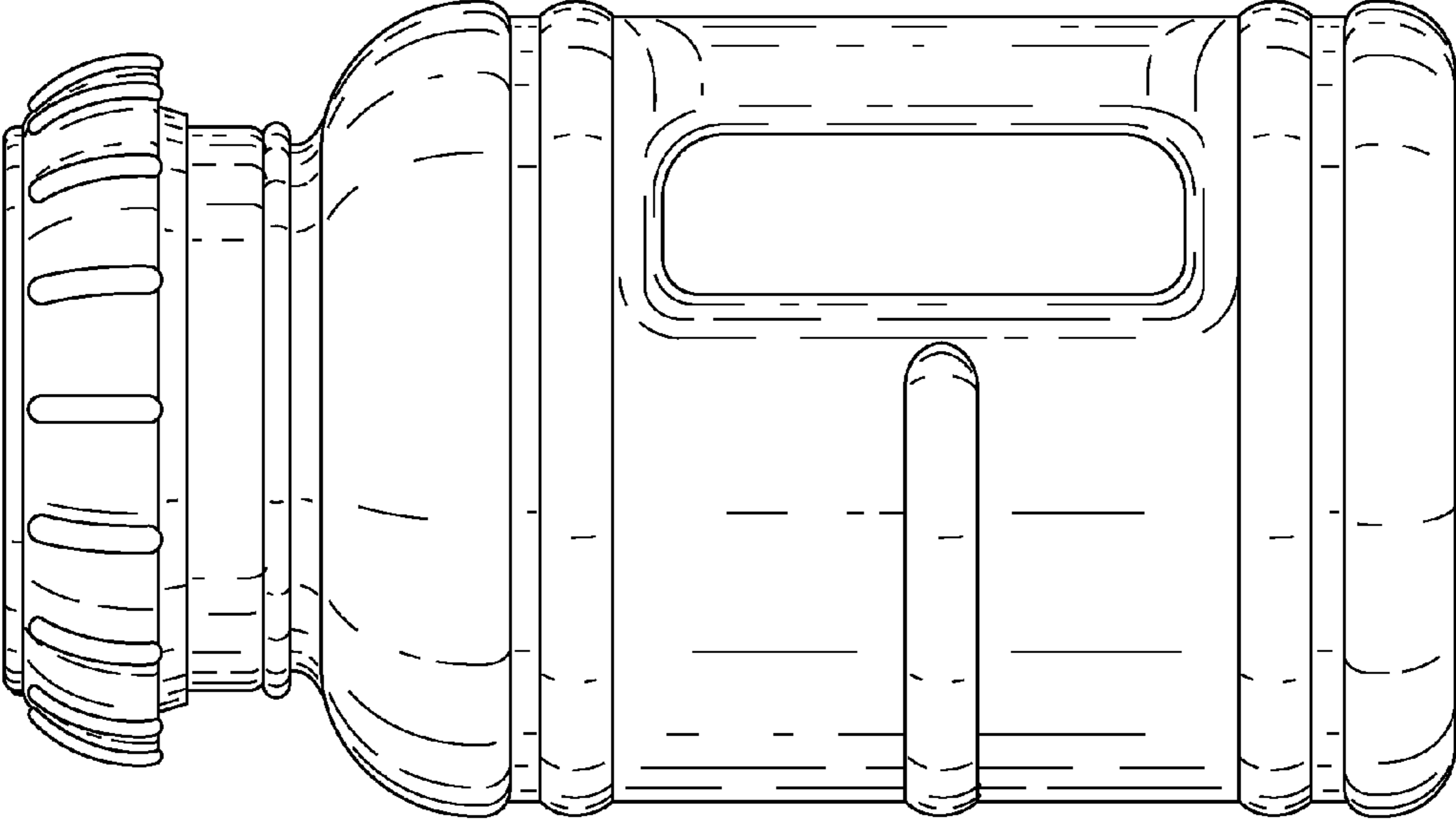


FIG. 7

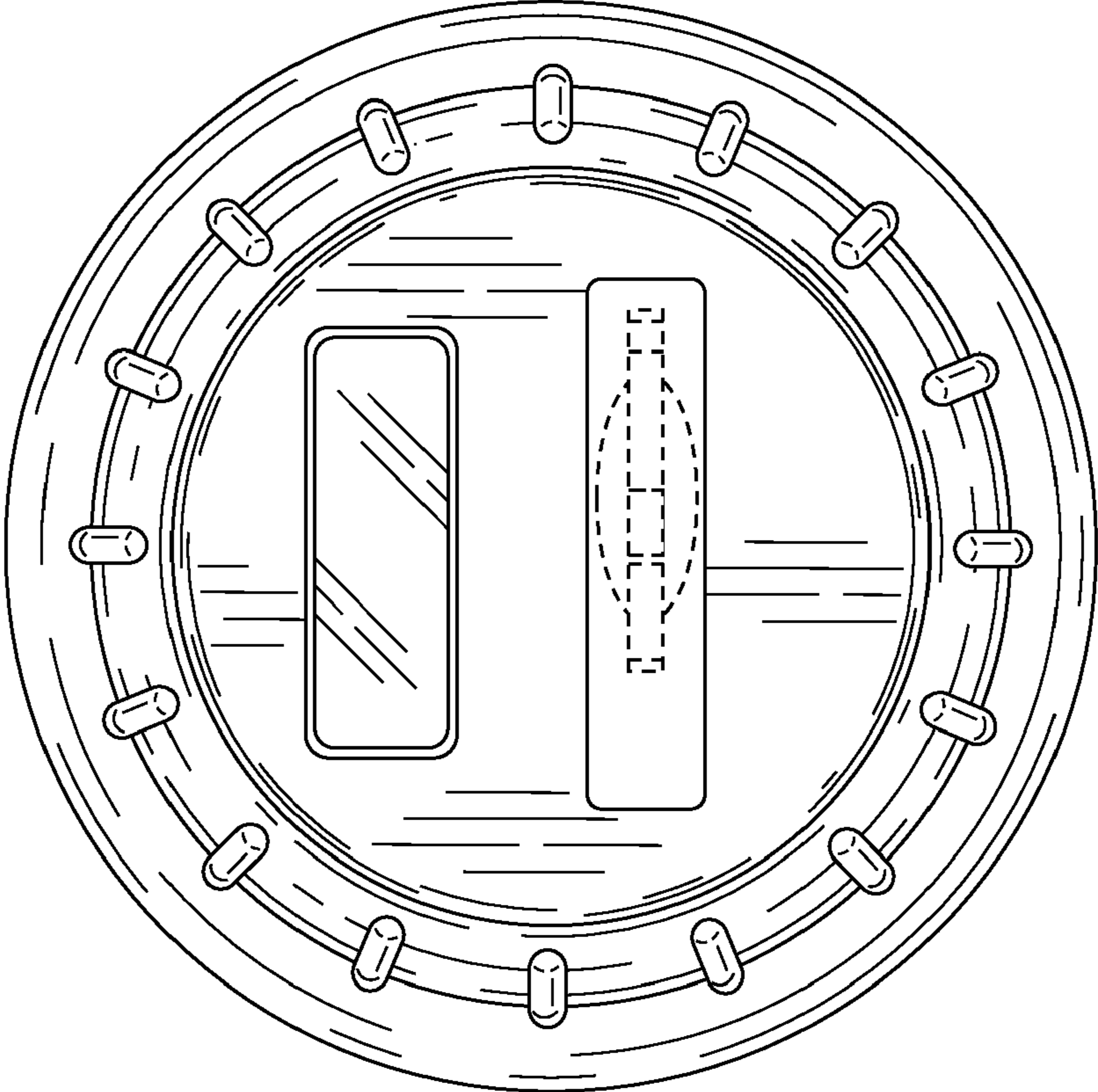


FIG. 6

