



US00D646040S

(12) **United States Design Patent**
Halsted et al.

(10) **Patent No.:** **US D646,040 S**

(45) **Date of Patent:** **** Sep. 27, 2011**

(54) **WHEELBARROW FRAME MEMBER**

(75) Inventors: **Charles William Halsted**, Sandton (ZA); **Brian Arthur Steinhobel**, Johannesburg (ZA); **Friedrich Westphal**, Sasbach am Kaiserstuhl (DE)

(73) Assignee: **Vecto Trade 461 (Proprietary) Limited** (ZA)

(**) Term: **14 Years**

(21) Appl. No.: **29/358,123**

(22) Filed: **Mar. 23, 2010**

(30) **Foreign Application Priority Data**

Sep. 23, 2009 (ZA) A2009/01452

(51) **LOC (9) Cl.** **12-02**

(52) **U.S. Cl.** **D34/27**

(58) **Field of Classification Search** D34/12-27;
280/47.26, 47.371, 47.27, 47.29, 47.31, 47.131,
280/47.17, 47.18, 655, 40, 656, 767, 47,
280/33.997, 33.992, 33.991, 33.993, 653
See application file for complete search history.

(56) **References Cited**

U.S. PATENT DOCUMENTS

D34,934 S * 8/1901 Cooper D34/16
5,372,376 A * 12/1994 Pharaoh 280/653
5,601,298 A * 2/1997 Watanabe 280/47.31
D408,607 S * 4/1999 Shuchart et al. D34/27
5,924,708 A * 7/1999 Bisailon et al. 280/47.26

6,554,301 B2 * 4/2003 Scott et al. 280/47.31
D501,974 S * 2/2005 Lawson et al. D34/27
D588,323 S * 3/2009 Zimmerman D34/27
D591,023 S * 4/2009 Zimmerman D34/27
D591,474 S * 4/2009 Peota et al. D34/27
D595,470 S * 6/2009 Albert et al. D34/27
7,748,723 B2 * 7/2010 Iturbide Jimenez 280/47.31
2002/0130491 A1 * 9/2002 Abel 280/653

* cited by examiner

Primary Examiner — Cynthia Ramirez

(74) *Attorney, Agent, or Firm* — Carlson, Gaskey & Olds, P.C.

(57) **CLAIM**

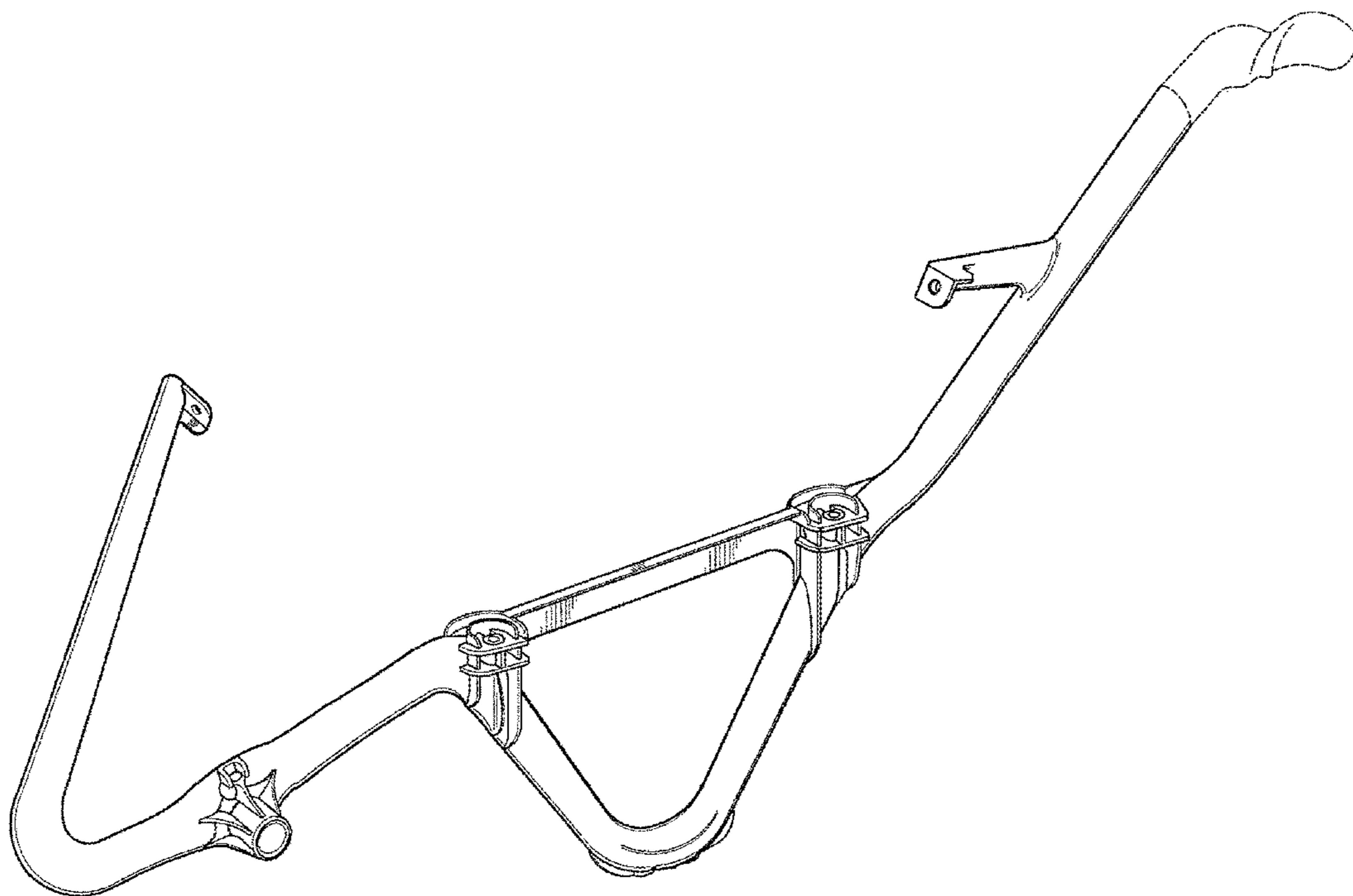
The ornamental design for a wheelbarrow frame member, as shown and described.

DESCRIPTION

FIG. 1 is a three-dimensional view of a right side wheelbarrow frame member incorporating the design of our invention; FIG. 2 is a right side view of the frame member of FIG. 1; FIG. 3 is a left side view of the frame member of FIG. 1; FIG. 4 is a top view of the frame member of FIG. 1; FIG. 5 is a bottom view of the frame member of FIG. 1; FIG. 6 is an end view of the frame member of FIG. 1, from a rear end thereof; and, FIG. 7 is an end view of the frame member of FIG. 1, from a front end thereof.

The left side wheelbarrow frame member is a mirror image of the right side wheelbarrow frame member. A handle of the frame member is shown in broken lines for illustrative purposes only and forms no part of the claimed design.

1 Claim, 5 Drawing Sheets



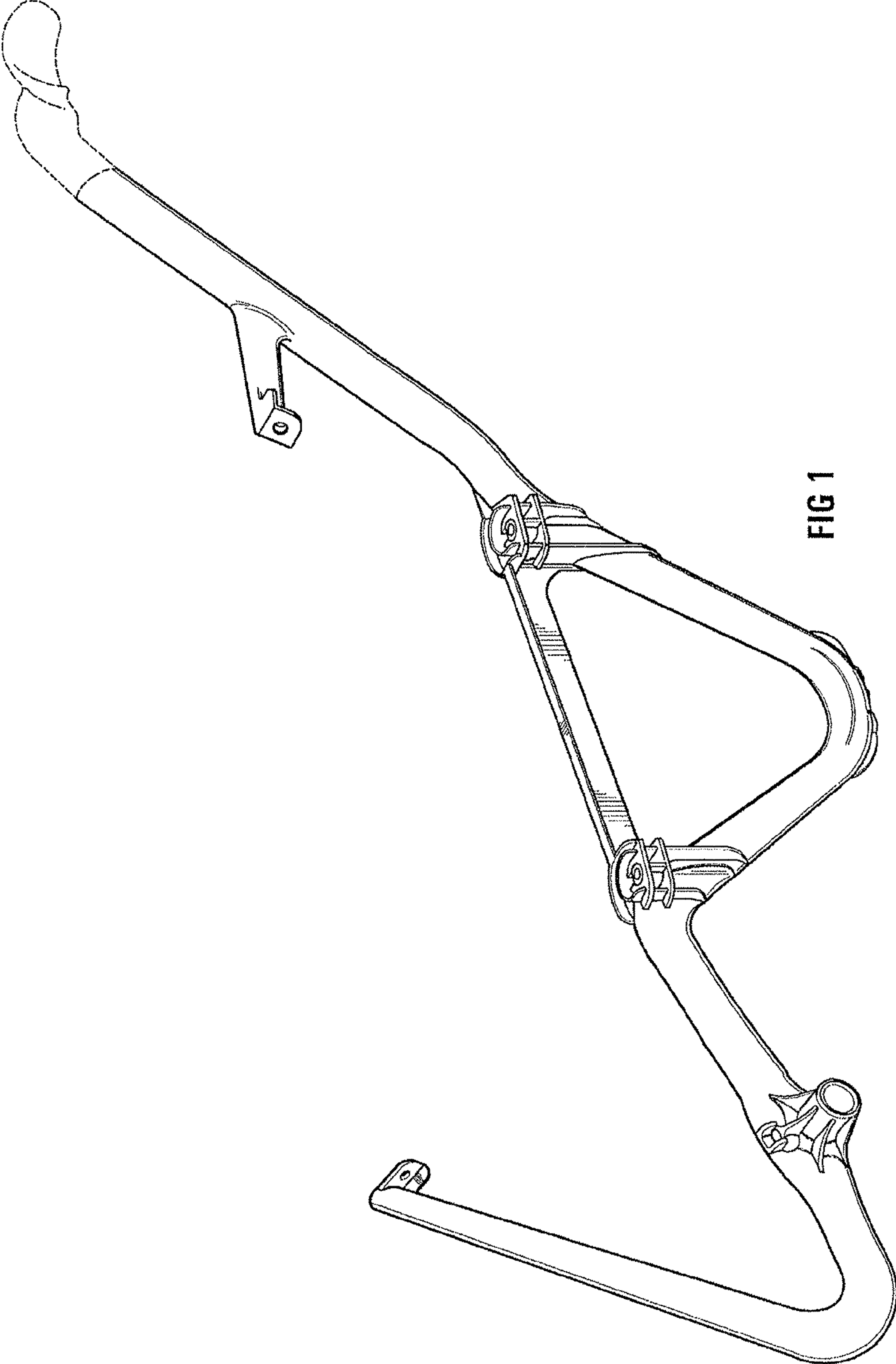


FIG 1

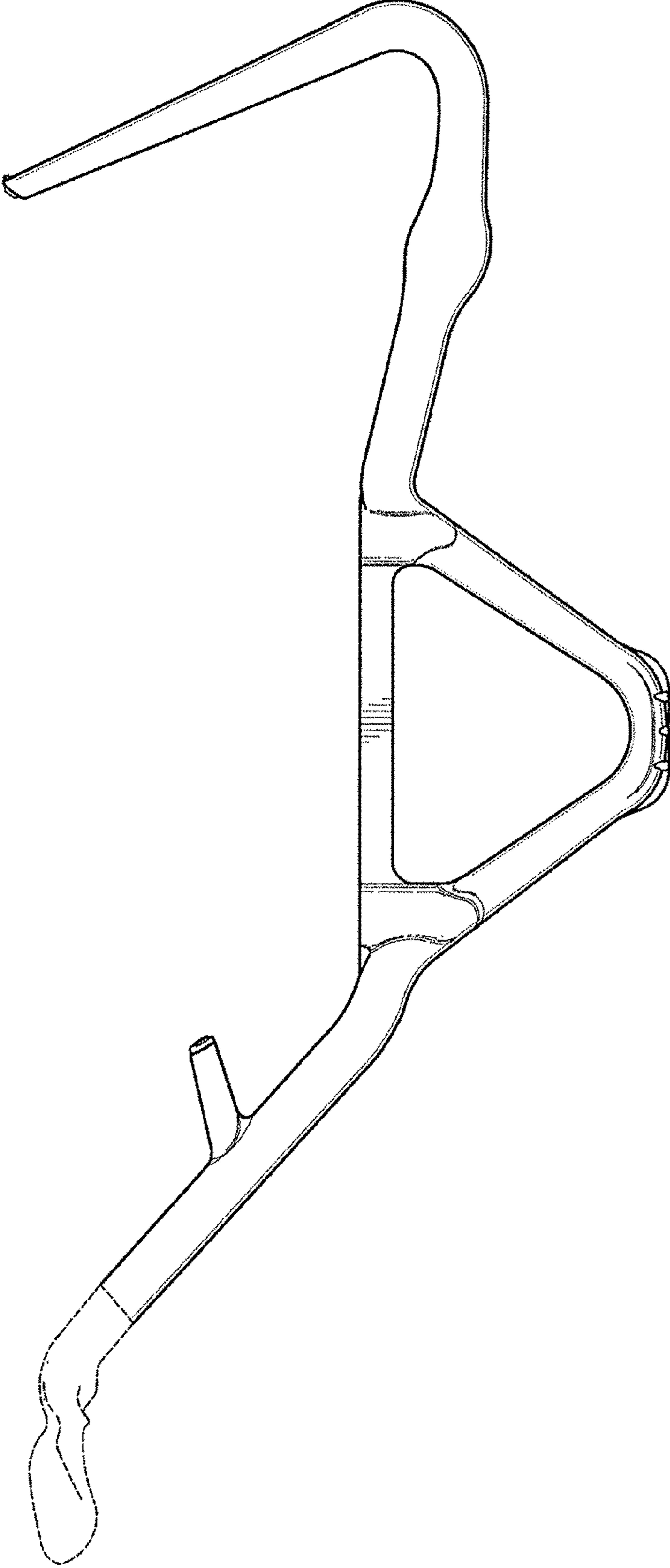


FIG 2

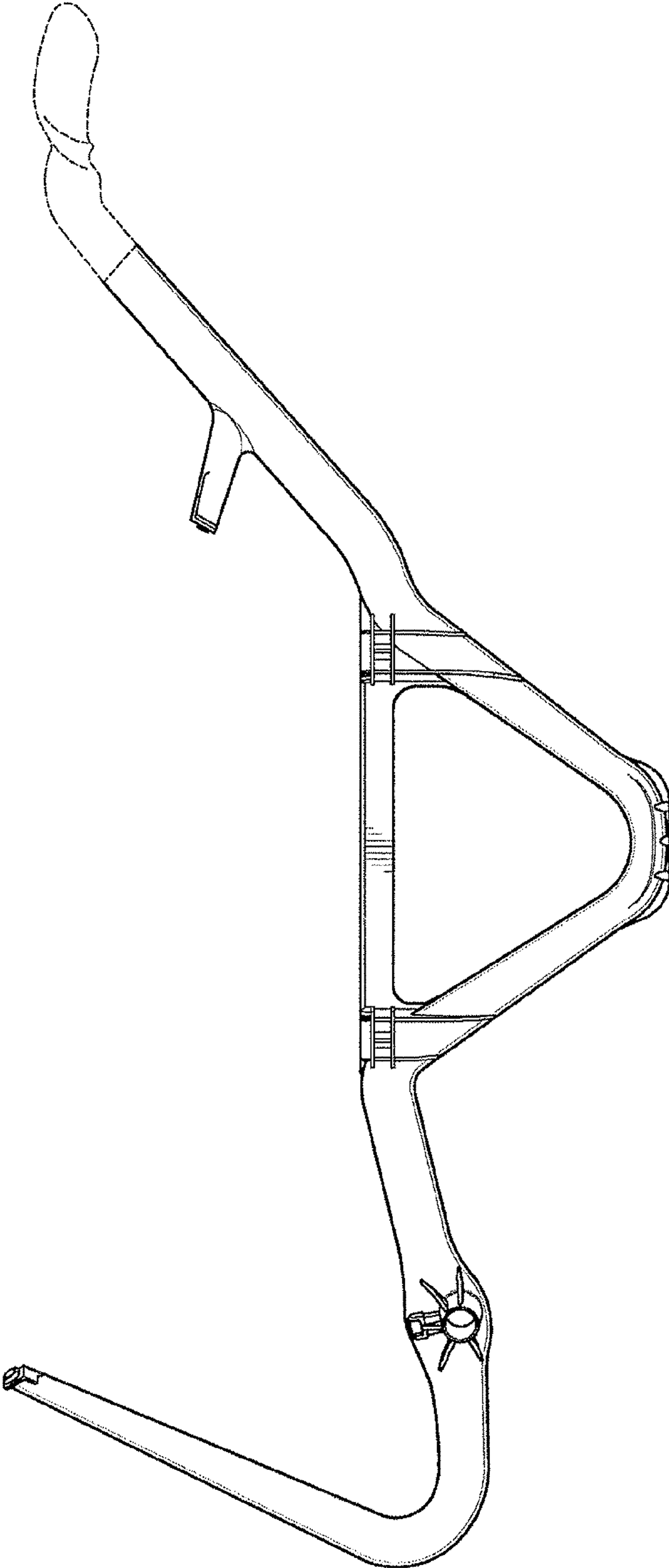


FIG 3

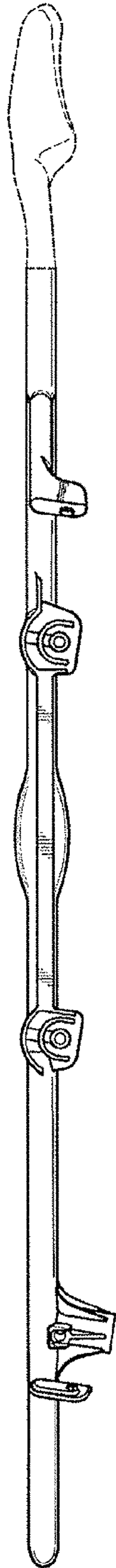


FIG 4

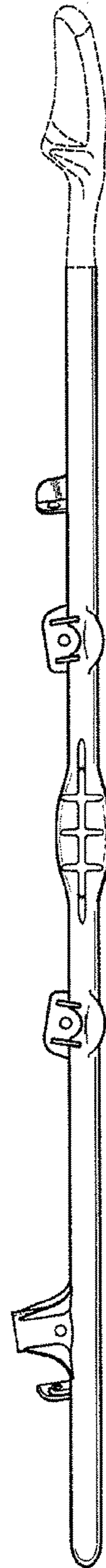


FIG 5

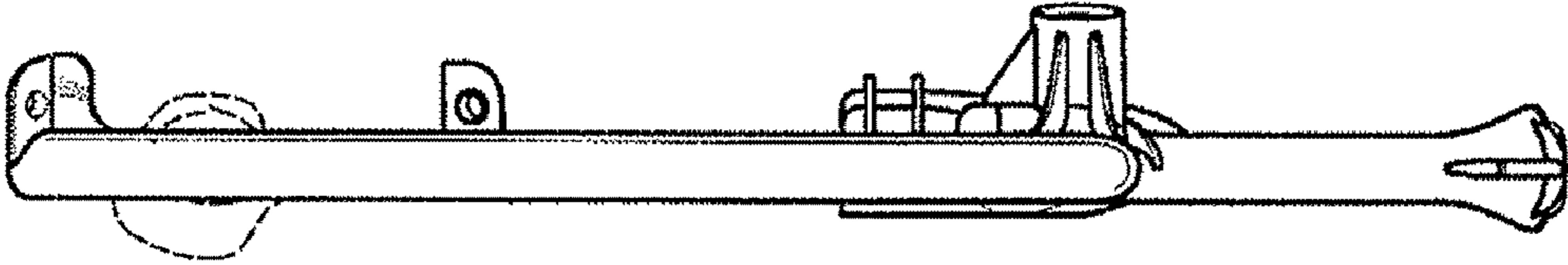


FIG 7

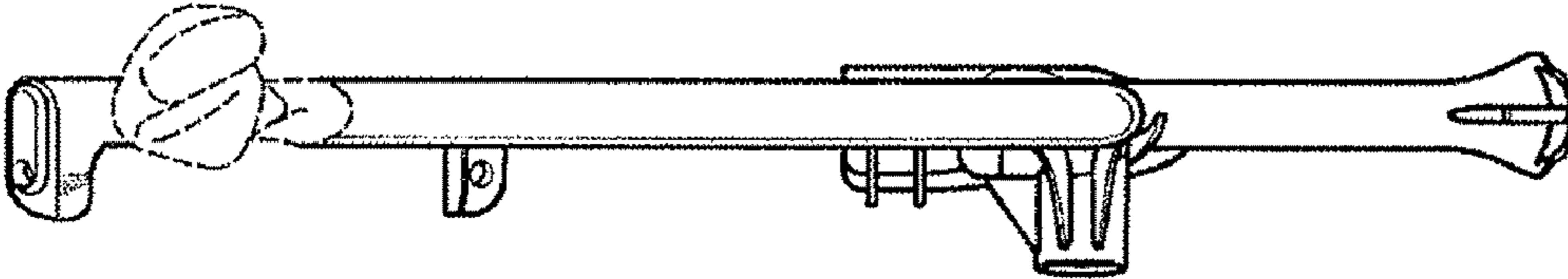


FIG 6