



US00D646037S

(12) **United States Design Patent**  
**Arthurson**

(10) **Patent No.:** **US D646,037 S**

(45) **Date of Patent:** **\*\* Sep. 27, 2011**

(54) **WASTE BIN WITH TWISTING LID OPENER**

D624,723 S \* 9/2010 Raghunathan et al. .... D34/5  
D634,912 S \* 3/2011 Pouliot et al. .... D34/11

(76) Inventor: **Kingsley Arthurson**, Perth (AU)

\* cited by examiner

(\*\*) Term: **14 Years**

*Primary Examiner* — Cynthia Ramirez

(21) Appl. No.: **29/380,977**

(74) *Attorney, Agent, or Firm* — Shoemaker and Mattare

(22) Filed: **Dec. 14, 2010**

(57) **CLAIM**

The ornamental design for a waste bin with twisting lid opener, as shown and described.

(30) **Foreign Application Priority Data**

**DESCRIPTION**

Jun. 16, 2010 (AU) ..... 12500/2010

(51) **LOC (9) Cl.** ..... **09-09**

(52) **U.S. Cl.** ..... **D34/9; D34/5**

(58) **Field of Classification Search** ..... D34/1-11;  
220/908, 908.1, 625, DIG. 12, DIG. 14; 280/47.26  
See application file for complete search history.

FIG. 1 is top plan view of a waste bin with twisting lid opener, showing my new design,

FIG. 2 is a perspective view thereof, from the front, top and left side,

FIG. 3 is a perspective view thereof, with its lid open, from the front, top and left side,

FIG. 4 is a perspective view thereof, from the front, top and left side,

FIG. 5 is a perspective view thereof, from the bottom, rear and right side,

FIG. 6 is a front elevational view thereof, with its lid closed,

FIG. 7 is a front elevational view thereof, with the lid partly open,

FIG. 8 is a front elevational view thereof, with the lid fully open,

FIG. 9 is a left side view thereof, with the lid closed

FIG. 10 is a left side view thereof, with the lid partly open; and,

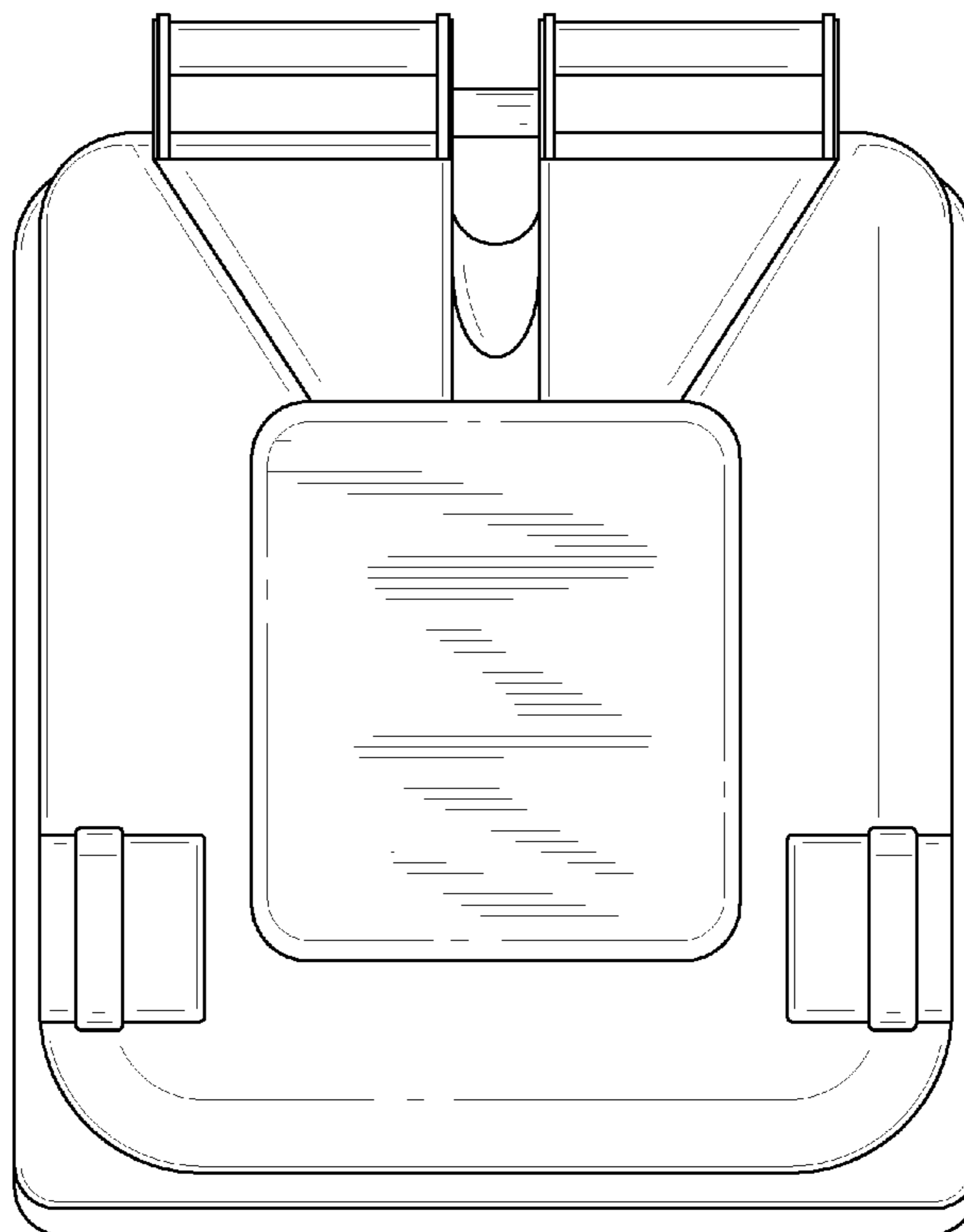
FIG. 11 is a left side view thereof, with the lid fully open.

(56) **References Cited**

**U.S. PATENT DOCUMENTS**

3,825,150	A *	7/1974	Taylor	.....	220/495.08
4,753,367	A *	6/1988	Miller et al.	.....	220/495.11
D313,491	S *	1/1991	Edelhoff et al.	.....	D34/5
5,160,063	A *	11/1992	Bailey	.....	220/495.08
5,184,836	A *	2/1993	Andrews et al.	.....	280/79.5
D355,741	S *	2/1995	Craft et al.	.....	D34/5
5,445,397	A *	8/1995	Evans	.....	280/47.18
D445,228	S *	7/2001	Apps et al.	.....	D34/5
6,918,508	B2 *	7/2005	Hwang	.....	220/826
6,953,199	B2 *	10/2005	Malloy, III	.....	280/47.26
D535,448	S *	1/2007	Kilduff et al.	.....	D34/5

**1 Claim, 11 Drawing Sheets**



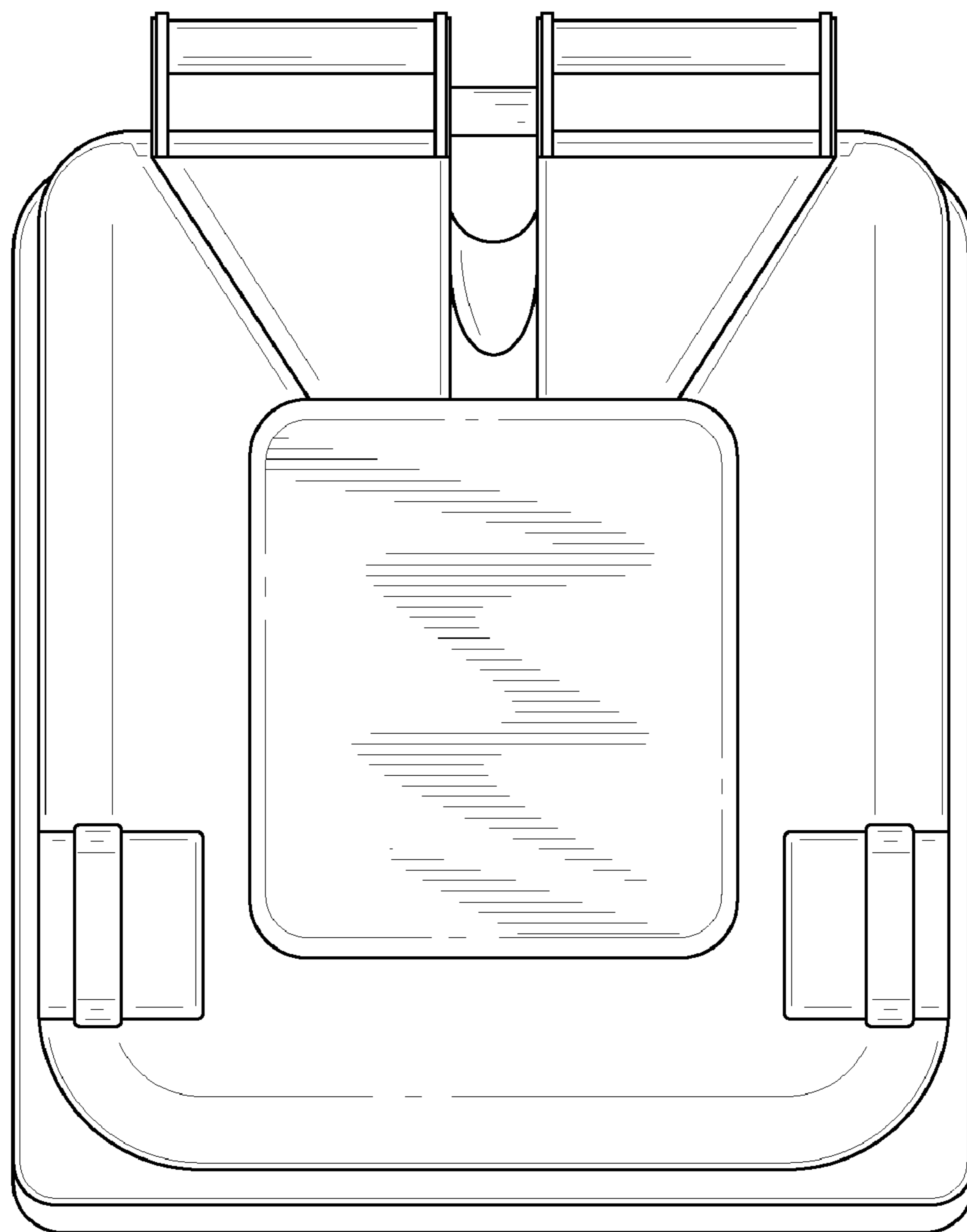


Fig. 1

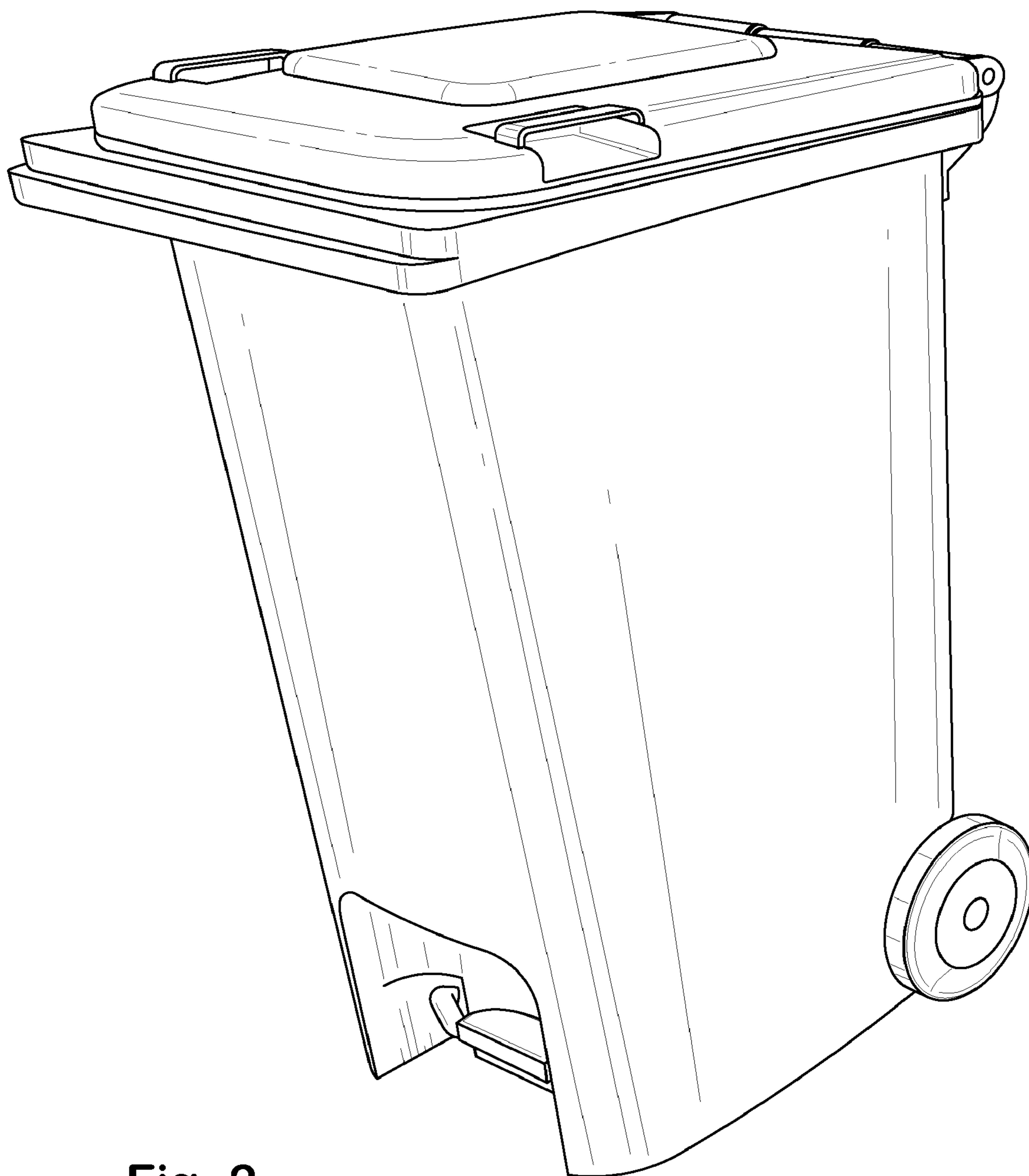


Fig. 2

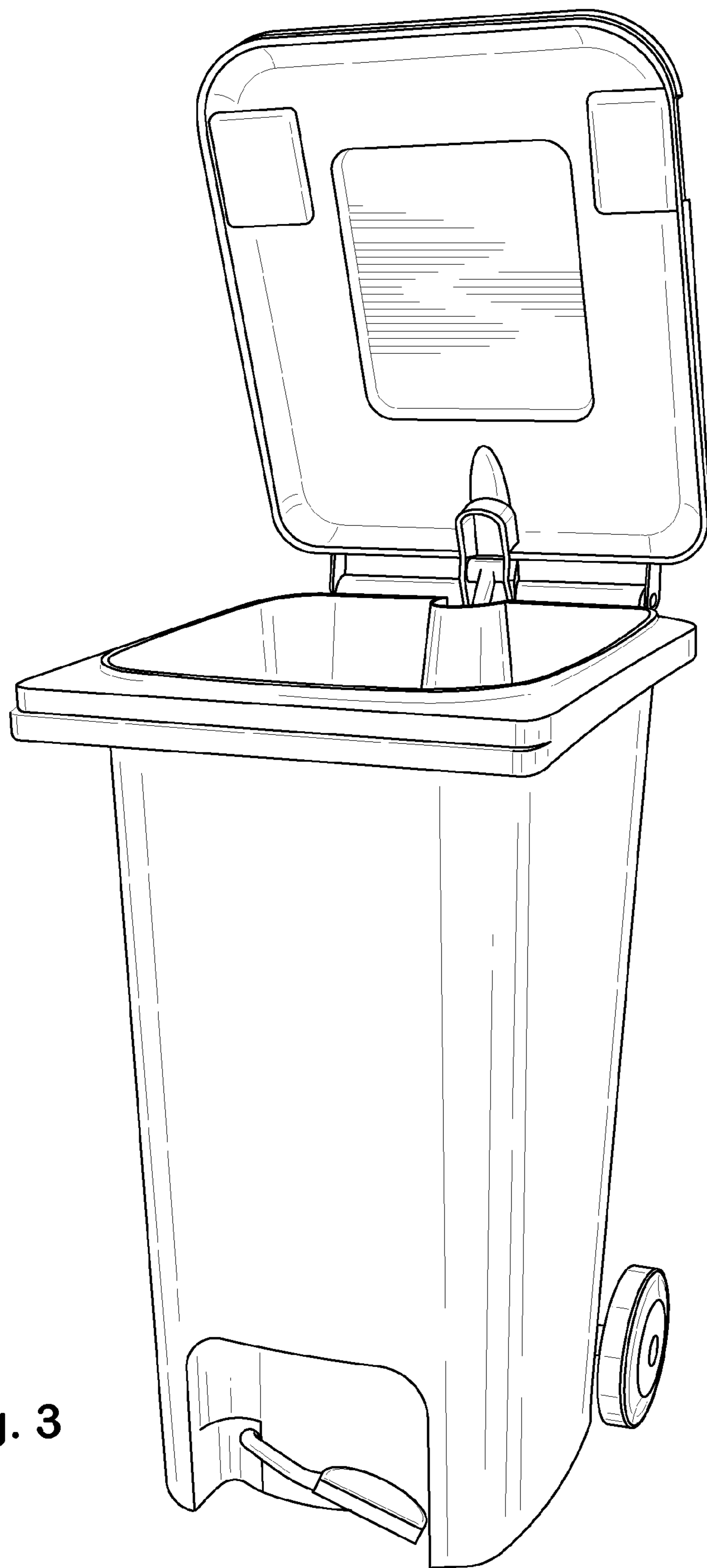


Fig. 3

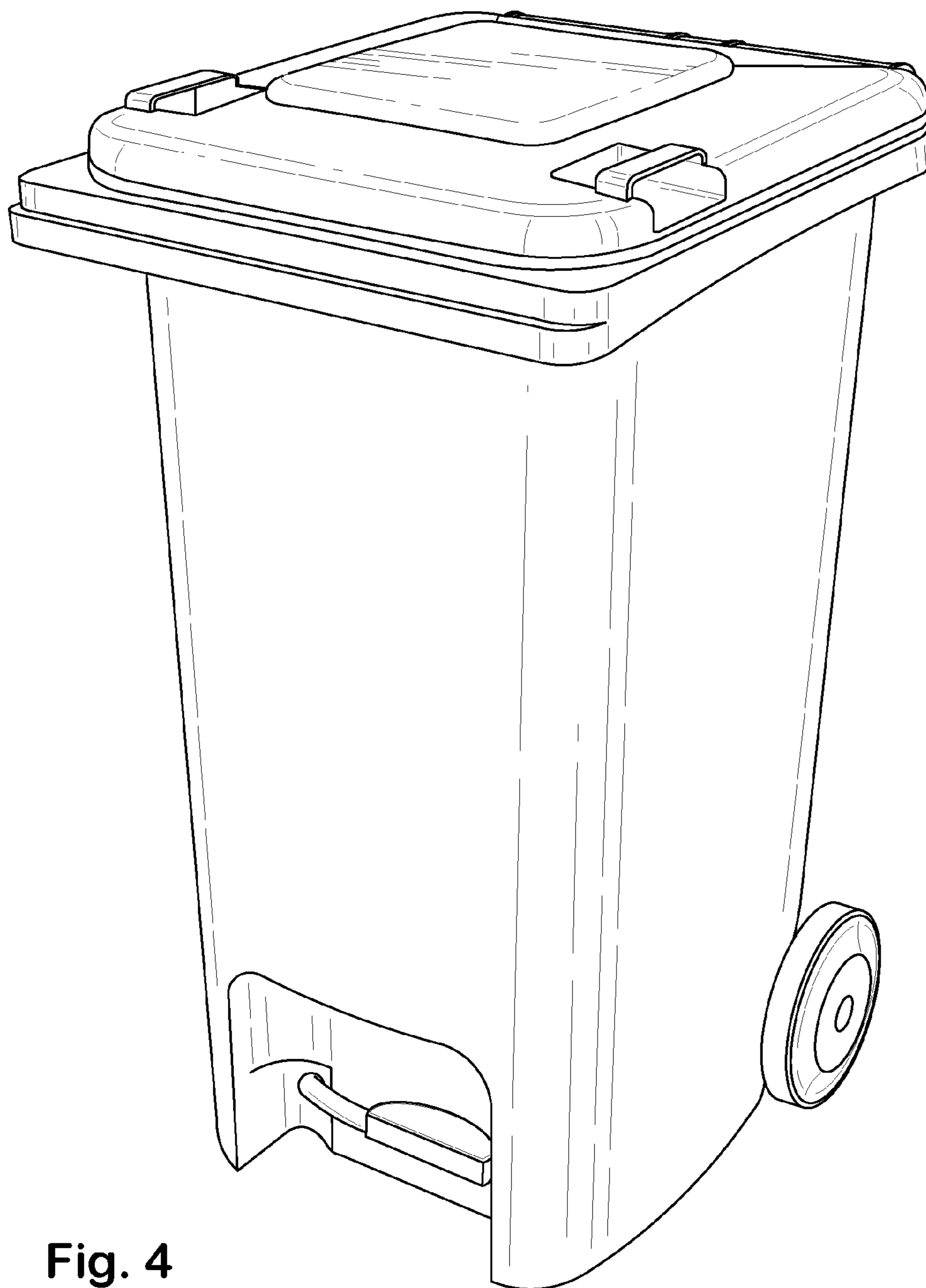
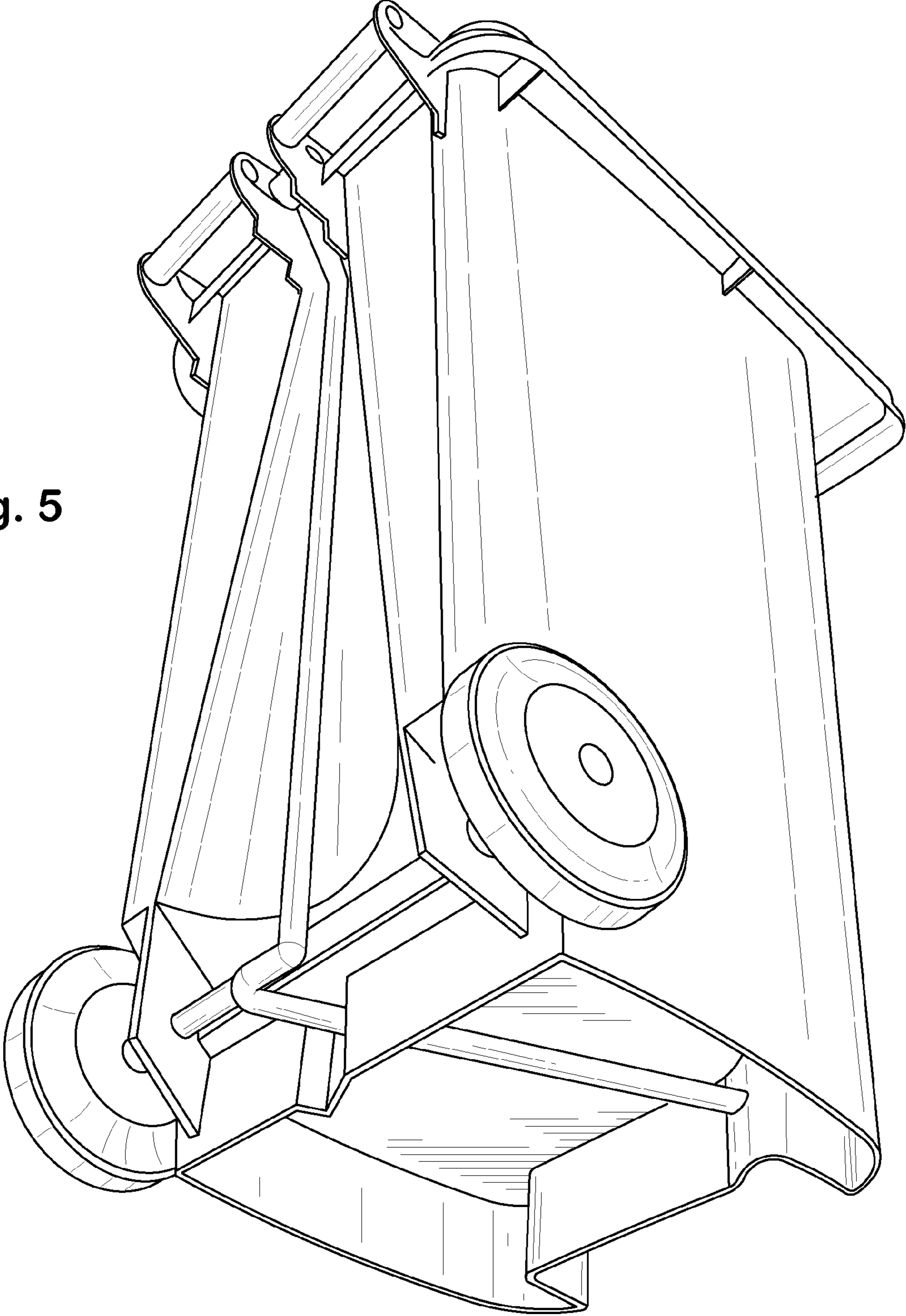


Fig. 4

Fig. 5



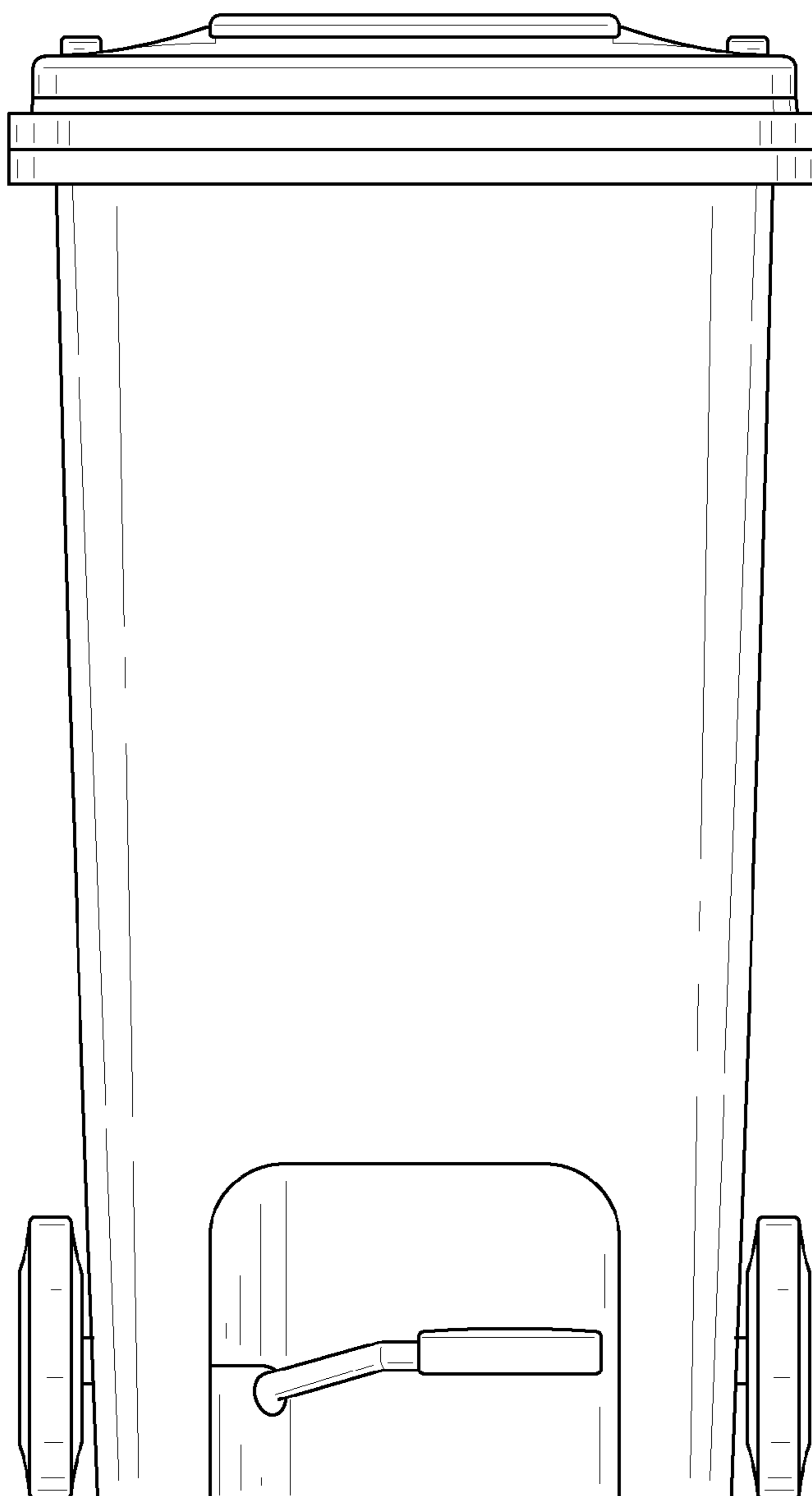


Fig. 6

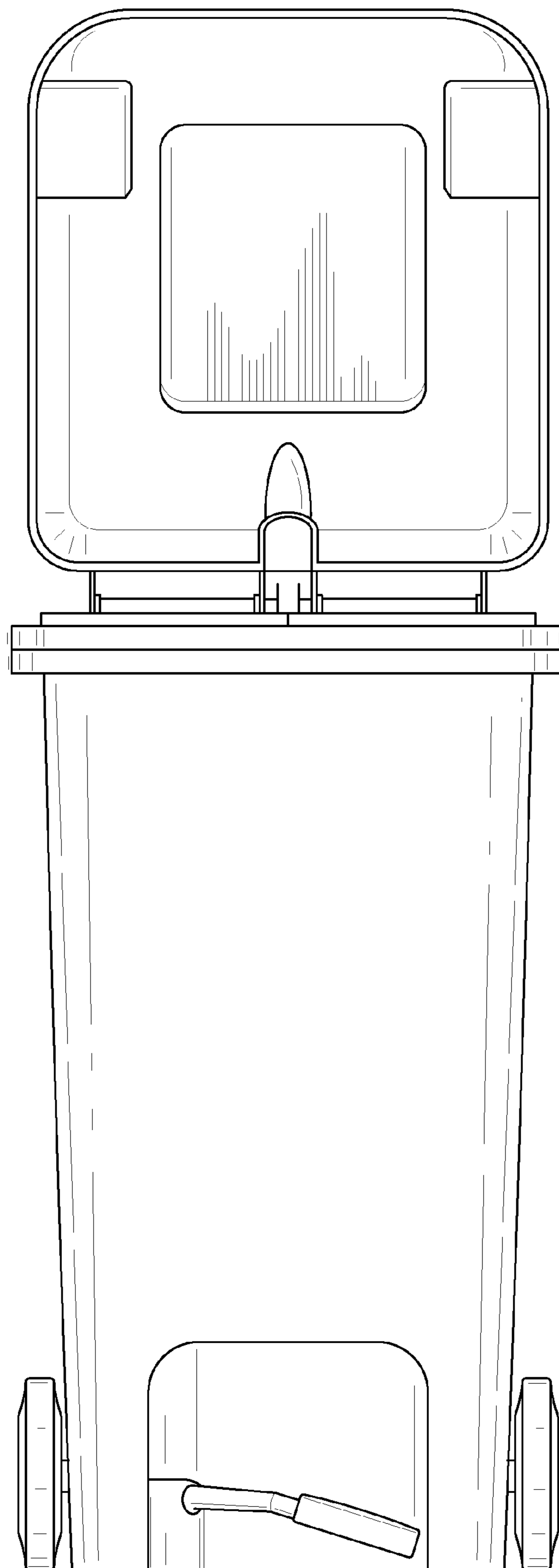


Fig. 7



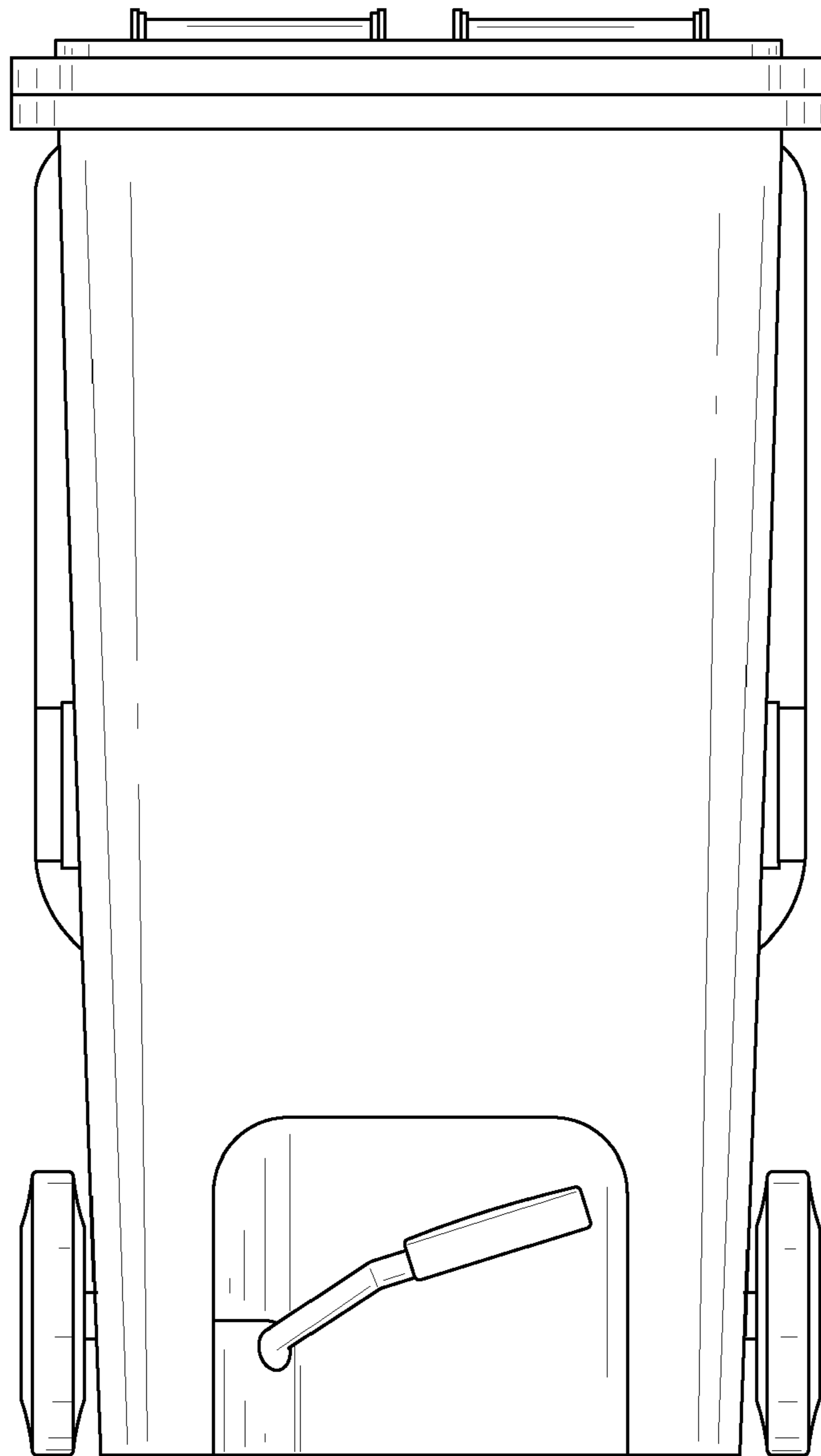


Fig. 8

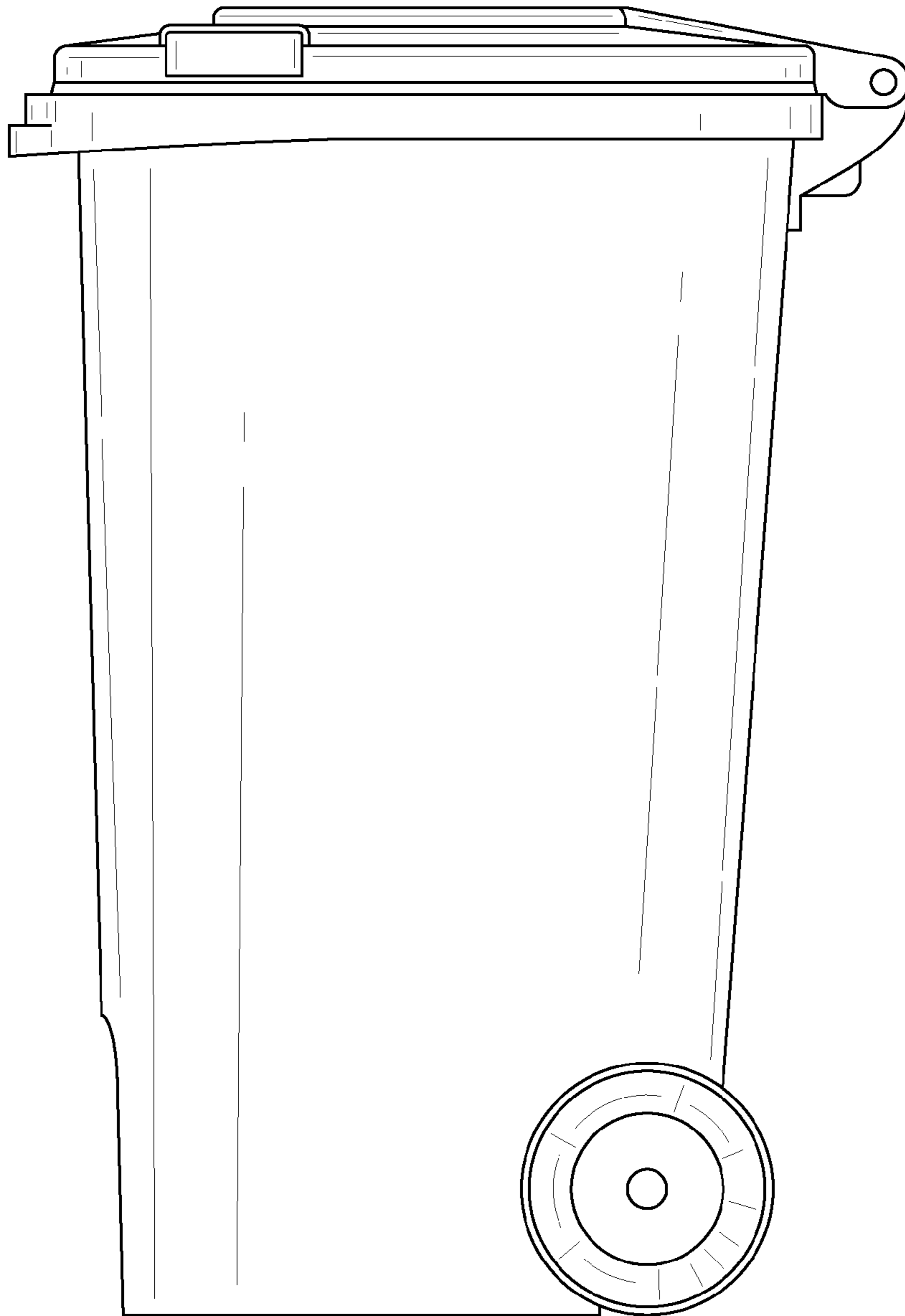


Fig. 9

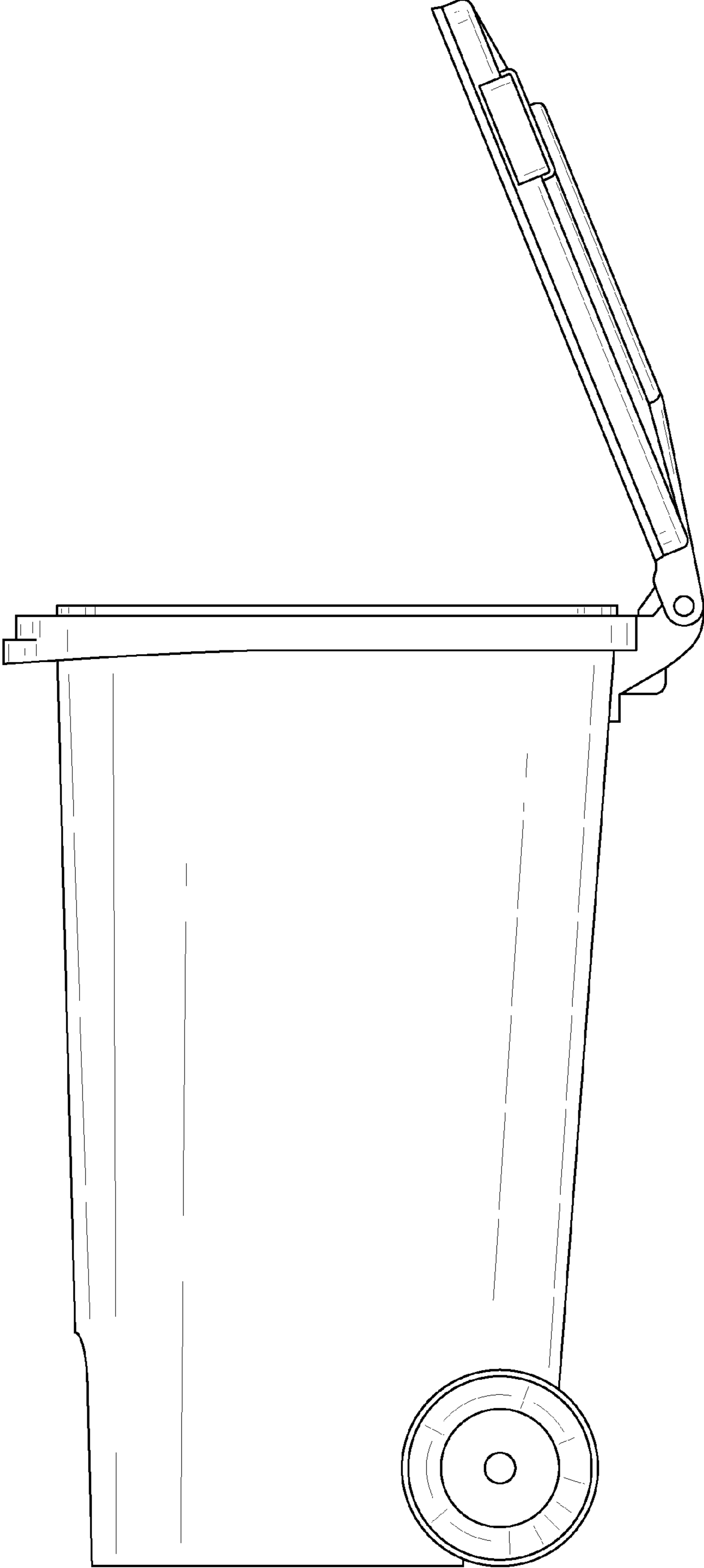


Fig. 10

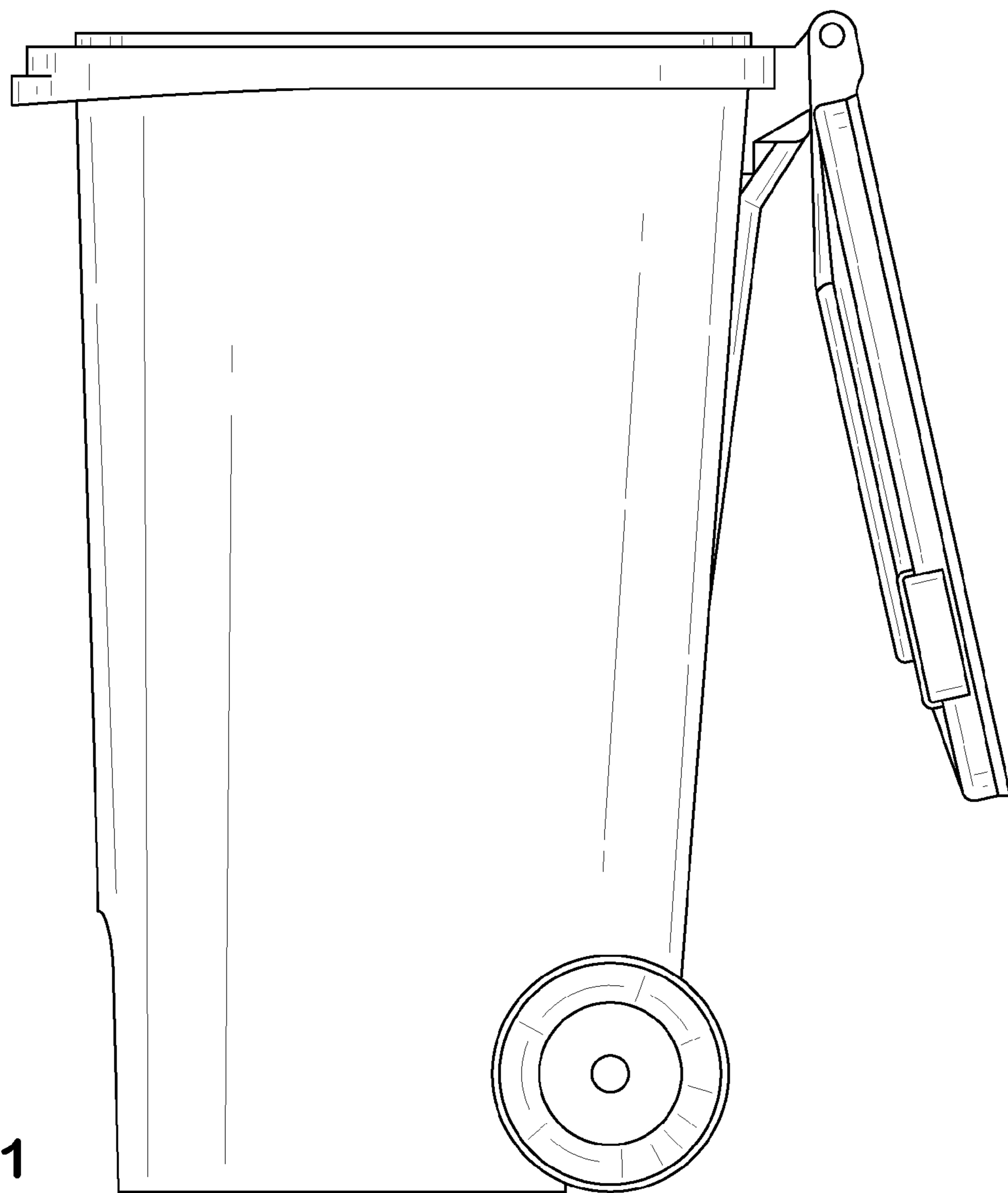


Fig. 11