



US00D646034S

(12) **United States Design Patent**
Scott, Sr.

(10) **Patent No.:** **US D646,034 S**

(45) **Date of Patent:** **** Sep. 27, 2011**

(54) **PAINT BRUSH CLEANING TOOL**

(75) Inventor: **John L. Scott, Sr.**, Wooster, OH (US)

(73) Assignee: **The Wooster Brush Company**,
Wooster, OH (US)

(**) Term: **14 Years**

(21) Appl. No.: **29/361,730**

(22) Filed: **May 14, 2010**

(51) **LOC (9) Cl.** **08-99**

(52) **U.S. Cl.** **D32/35**

(58) **Field of Classification Search** D32/35,
D32/40, 52, 53.1; D4/138, 199, 129, 100,
D4/119, 121, 136, 114, 115, 130-135; D8/300,
D8/303, 307; 15/159.1, 160
See application file for complete search history.

(56) **References Cited**

U.S. PATENT DOCUMENTS

2,228,213	A	1/1941	Hillsberry	
2,272,151	A	2/1942	Hertzberg	
D159,106	S	6/1950	Stamp	
D289,567	S	4/1987	O'Connor et al.	
D434,566	S *	12/2000	Mann	D4/117
7,325,557	B2	2/2008	Wallace	

D600,421 S * 9/2009 Hoadley et al. D32/52
D626,749 S * 11/2010 Ragosta et al. D4/100
2007/0180640 A1 * 8/2007 Knopow et al. 15/210.1

* cited by examiner

Primary Examiner — T. Chase Nelson

Assistant Examiner — Ania Dworzecka

(74) *Attorney, Agent, or Firm* — Renner, Otto, Boisselle &
Sklar, LLP

(57) **CLAIM**

The ornamental design for a paint brush cleaning tool, as shown and described.

DESCRIPTION

FIG. 1 is a perspective view of a paint brush cleaning tool showing my new design.

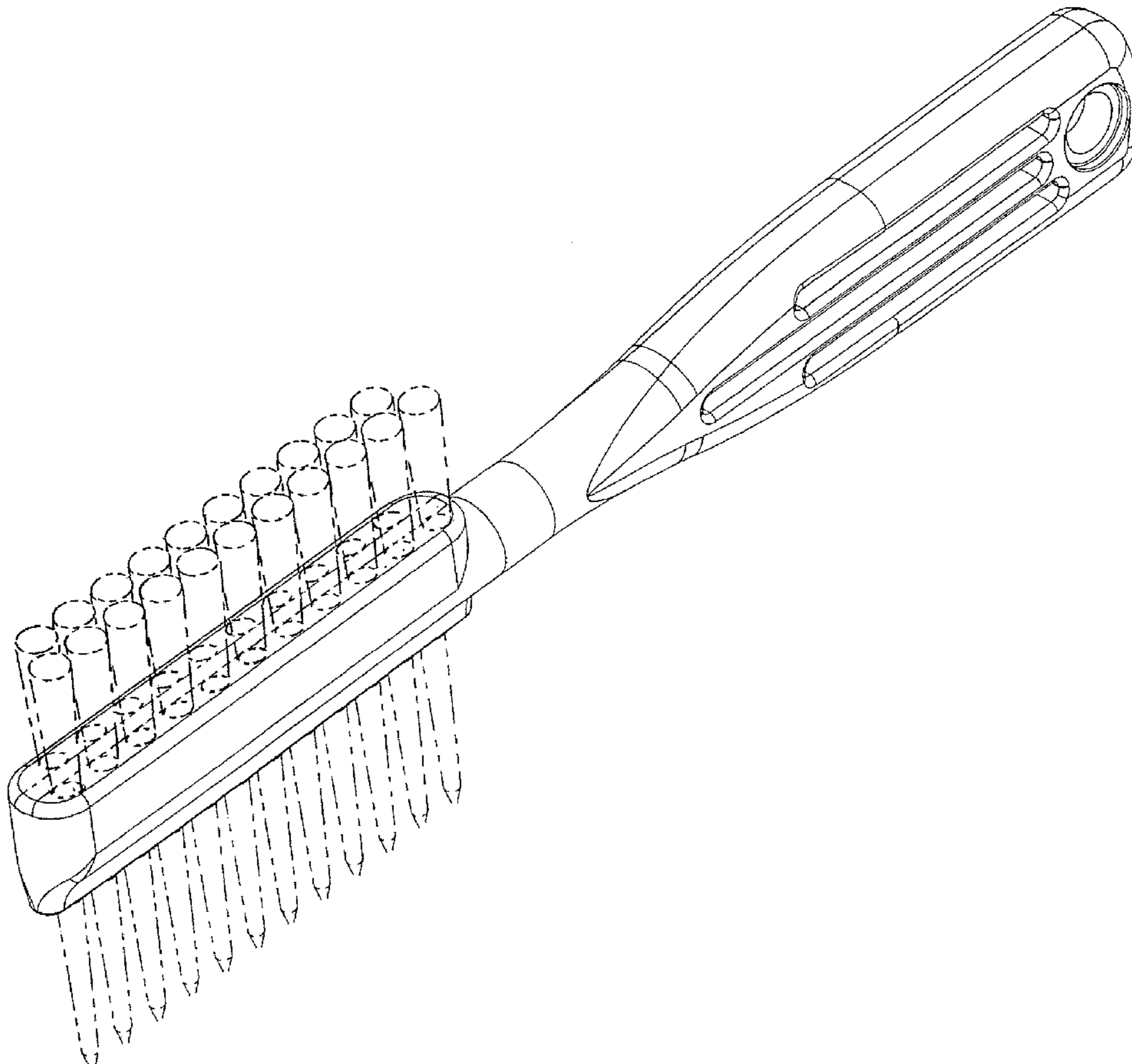
FIG. 2 is a side elevation view thereof, the opposite side being a mirror image.

FIG. 3 is a bottom plan view thereof; and,

FIG. 4 is an end view of the right end thereof.

The broken line showing in all of the drawing figures is for illustrative purposes only and forms no part of the claimed design.

1 Claim, 2 Drawing Sheets



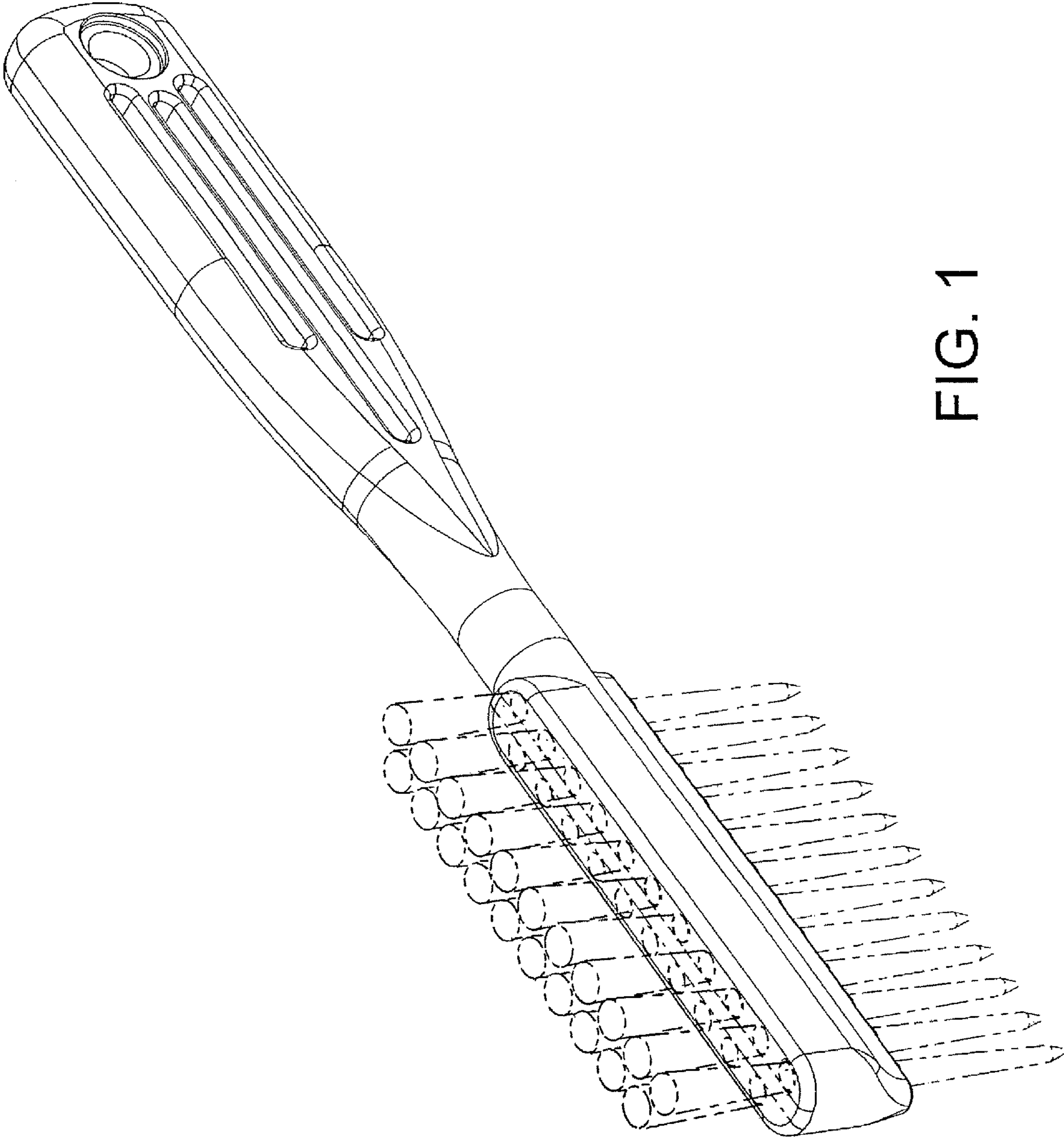


FIG. 1

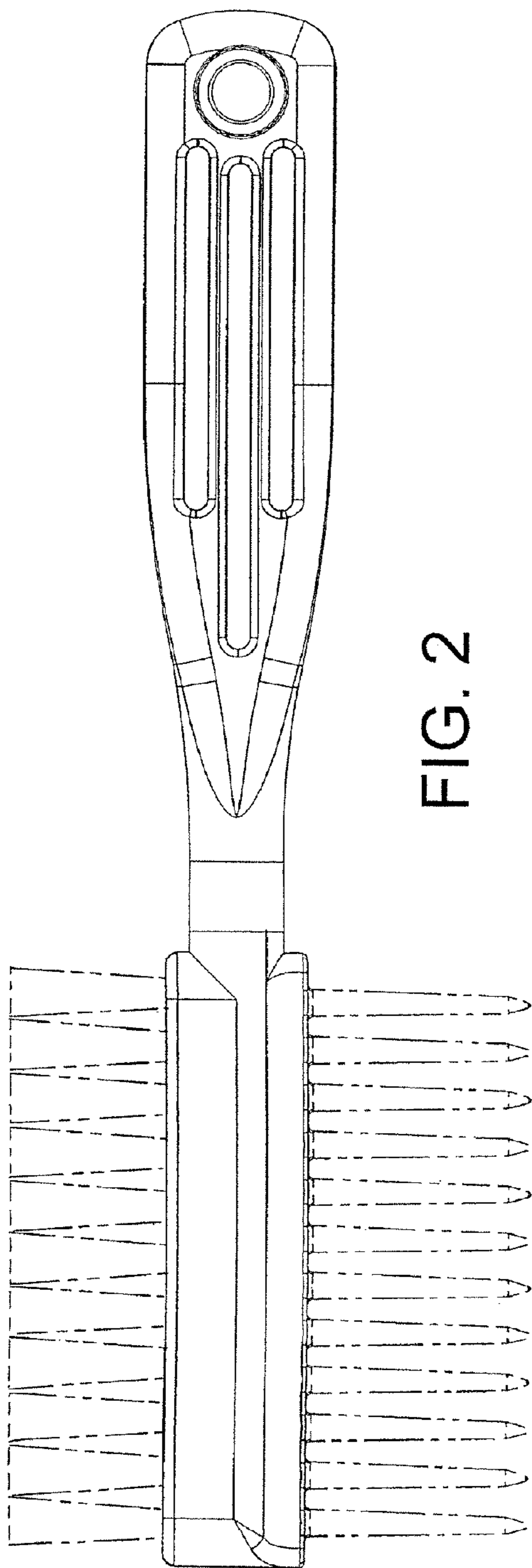


FIG. 2

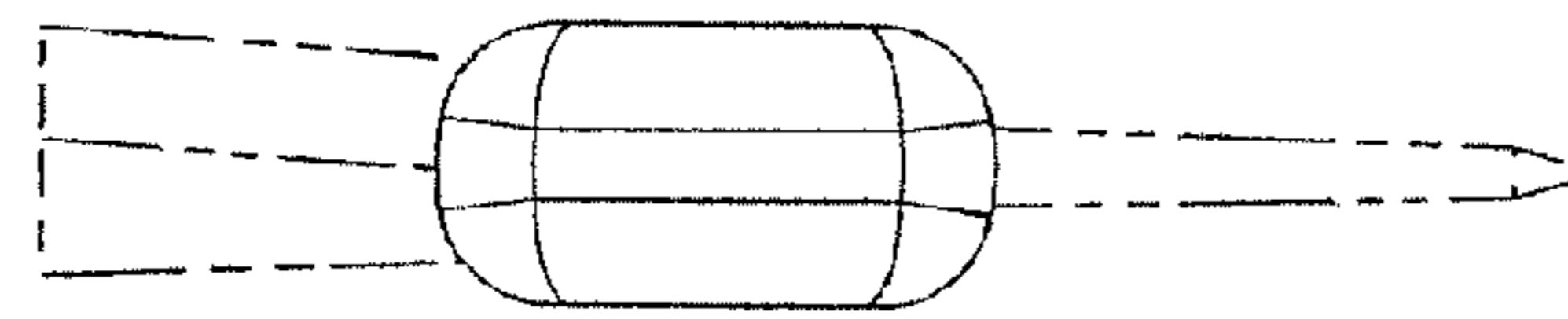


FIG. 4



FIG. 3