



US00D646031S

(12) **United States Design Patent**
Carr et al.

(10) **Patent No.:** **US D646,031 S**

(45) **Date of Patent:** **** Sep. 27, 2011**

(54) **VACUUM CLEANER CANISTER**

(75) Inventors: **Adam G. Carr**, Ada, MI (US); **Michael Luyckx**, Ada, MI (US); **Douglas J. Medema**, Belding, MI (US); **Lawrence Chun-Hei Chu**, GangDao Jinza Shenzhen (CN); **Wendy Hui Wu**, Guangdong (CN)

(73) Assignee: **BISSELL Homecare, Inc.**, Grand Rapids, MI (US)

(**) Term: **14 Years**

(21) Appl. No.: **29/355,722**

(22) Filed: **Feb. 12, 2010**

(51) **LOC (9) Cl.** **15-05**

(52) **U.S. Cl.** **D32/21**

(58) **Field of Classification Search** D32/21-24, D32/31; 15/327.1-327.7, 329, 412, 320-321; 55/DIG. 3, 345, 357, 429, 271; 95/271
See application file for complete search history.

(56) **References Cited**

U.S. PATENT DOCUMENTS

| | | | | |
|--------------|---------|--------------|-------|--------|
| D445,226 S * | 7/2001 | Jupp | | D32/21 |
| D484,286 S * | 12/2003 | Dyson et al. | | D32/24 |
| D518,611 S * | 4/2006 | Hare | | D32/21 |
| D552,310 S * | 10/2007 | Shin et al. | | D32/21 |

| | | | | |
|----------------|---------|-------------|-------|----------|
| D555,849 S * | 11/2007 | Choi et al. | | D32/21 |
| D555,851 S * | 11/2007 | Shin et al. | | D32/21 |
| D555,852 S * | 11/2007 | Shin et al. | | D32/21 |
| D556,962 S * | 12/2007 | Choi et al. | | D32/21 |
| D557,470 S * | 12/2007 | Choi et al. | | D32/21 |
| 7,380,308 B2 * | 6/2008 | Oh et al. | | 15/327.2 |
| D594,162 S * | 6/2009 | Knox et al. | | D32/21 |
| 7,555,808 B2 * | 7/2009 | Oh et al. | | 15/327.2 |

* cited by examiner

Primary Examiner — Ruth McInroy

(74) *Attorney, Agent, or Firm* — McGarry Bair PC

(57) **CLAIM**

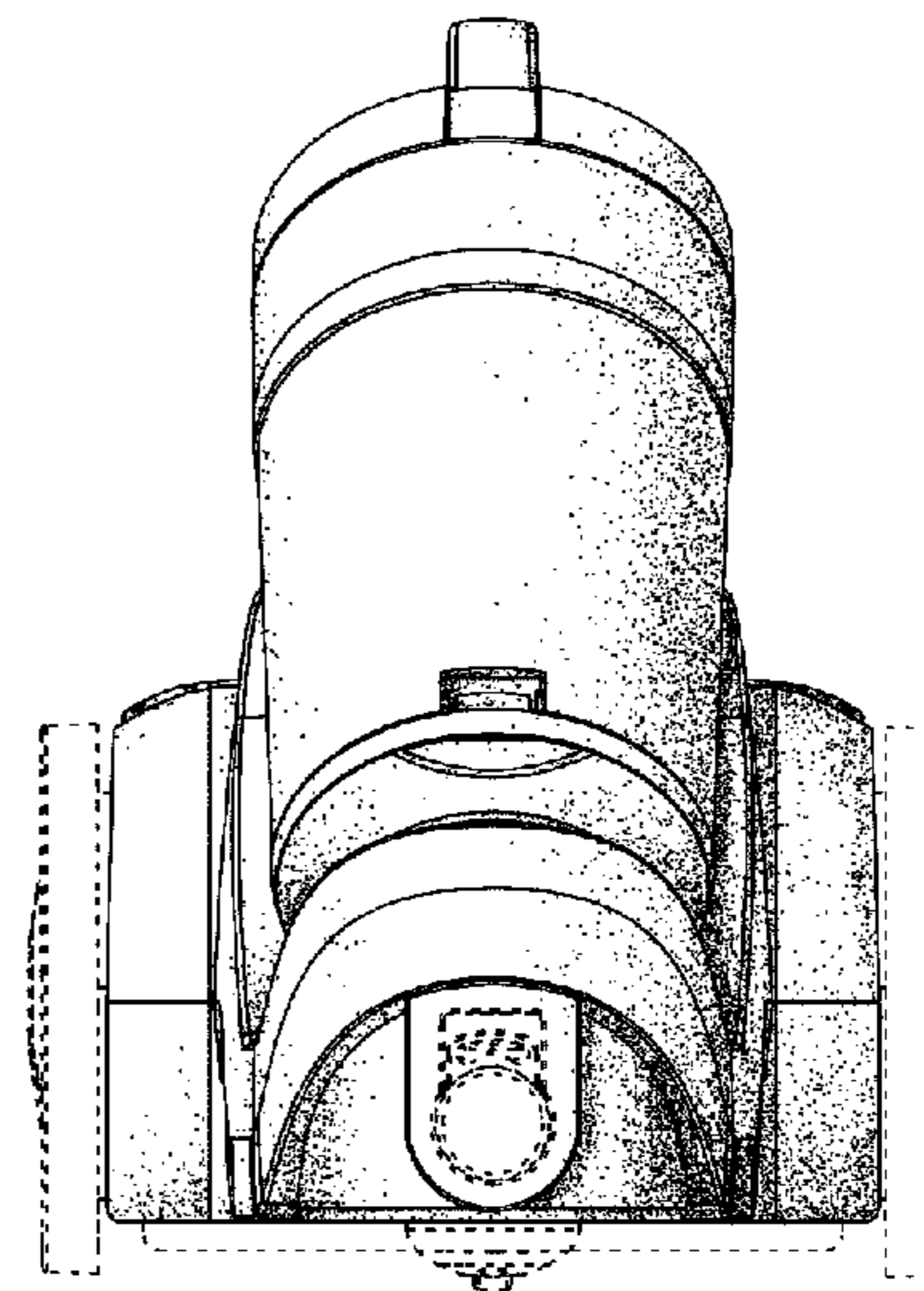
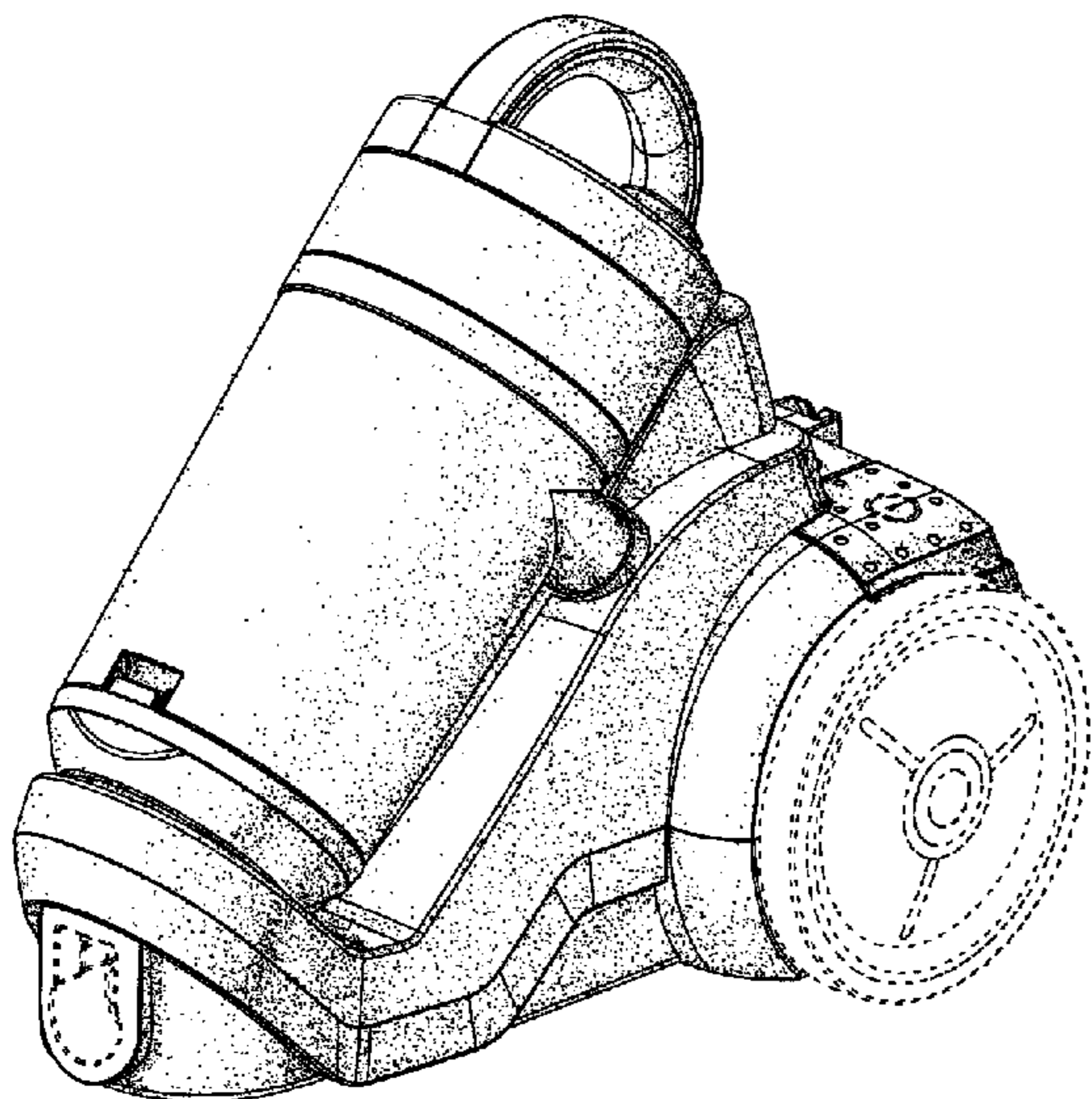
The ornamental design for a vacuum cleaner canister, as shown and described.

DESCRIPTION

FIG. 1 is a front perspective view of a vacuum cleaner canister which embodies our design;
FIG. 2 is a front view thereof;
FIG. 3 is a rear view thereof;
FIG. 4 is a left side view thereof,
FIG. 5 is a right side view thereof;
FIG. 6 is a top view thereof; and,
FIG. 7 is a bottom view thereof.

The details shown in broken lines form no part of the claimed design.

1 Claim, 4 Drawing Sheets



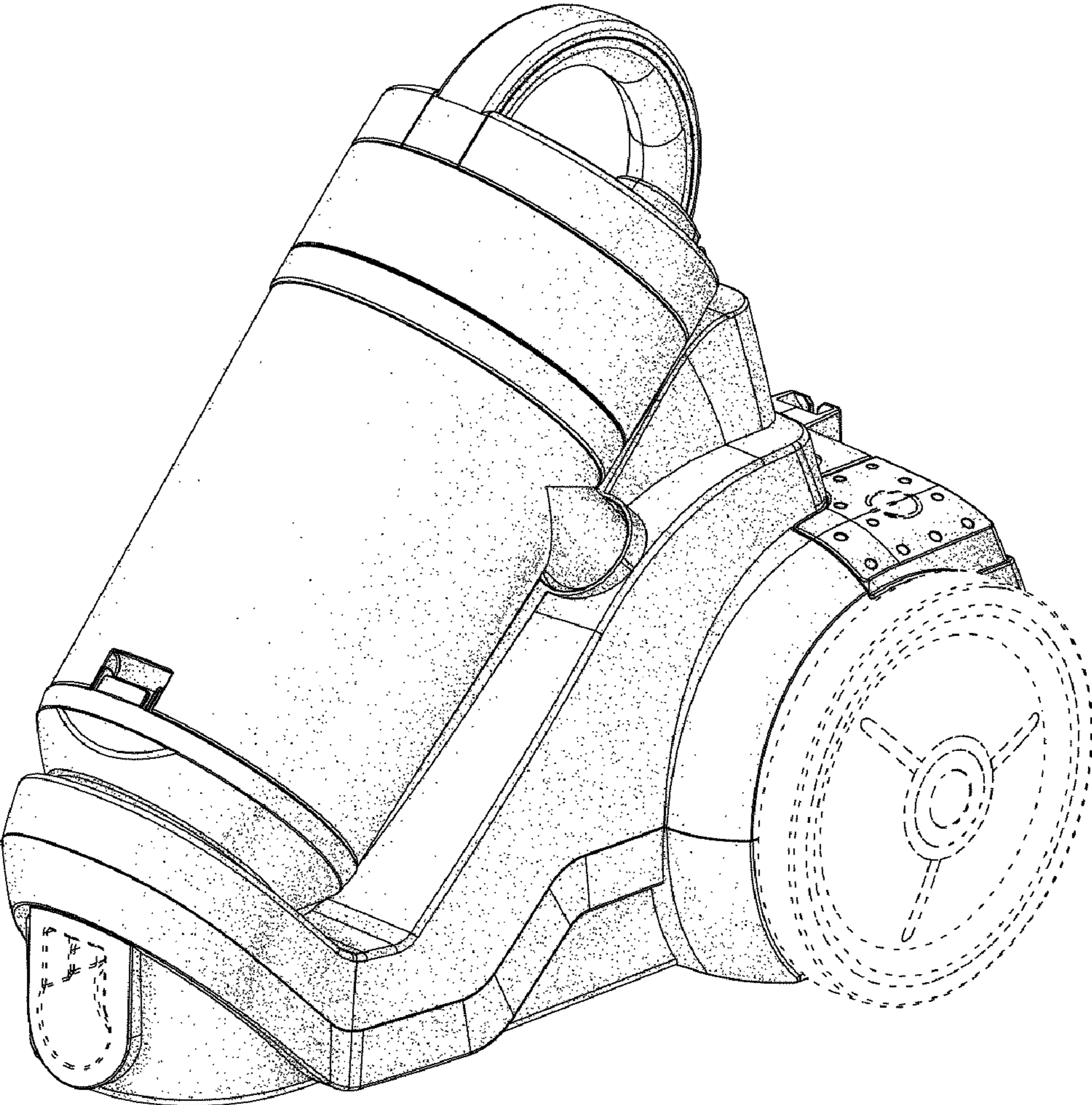


Fig. 1

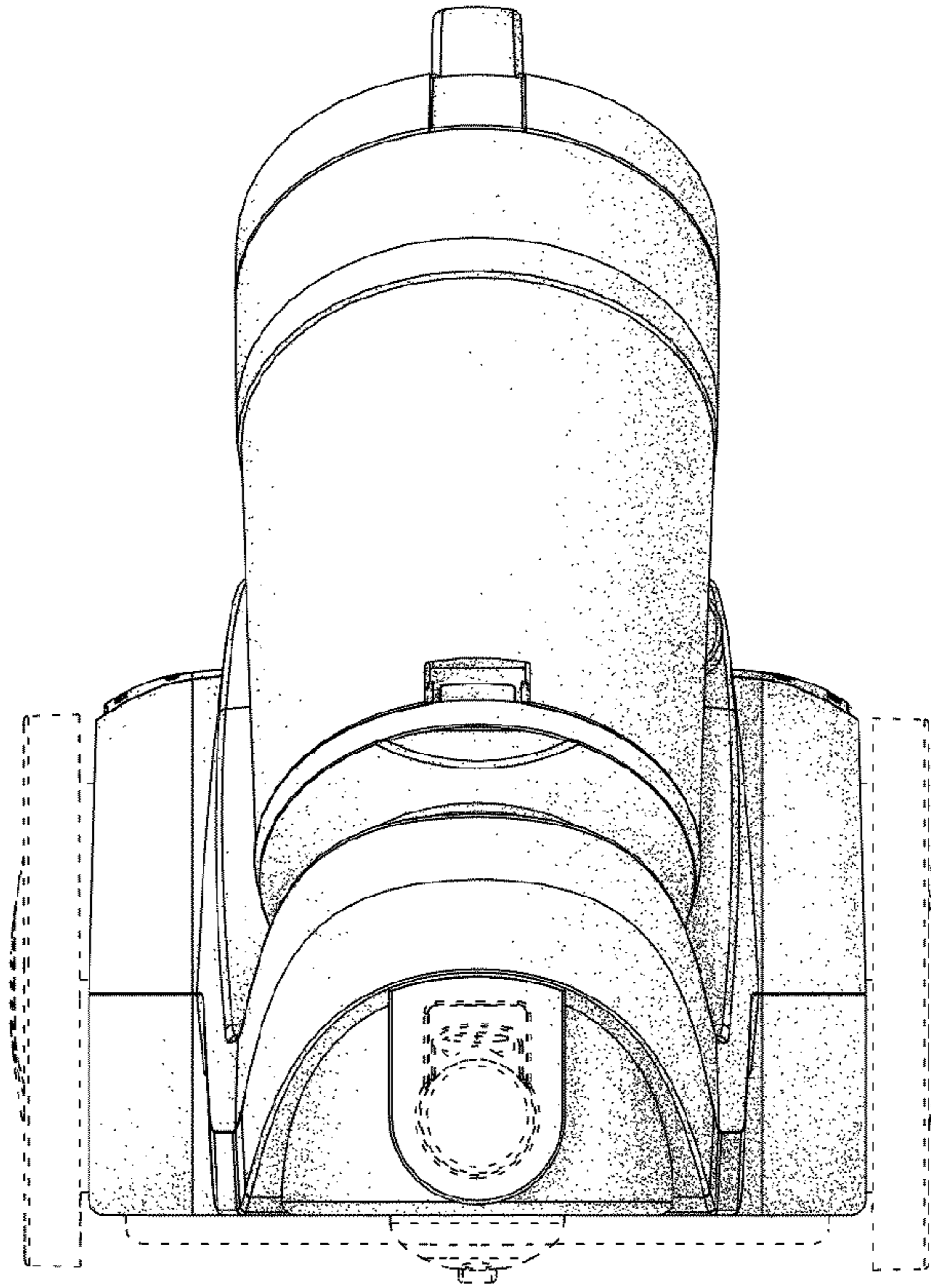


Fig. 2

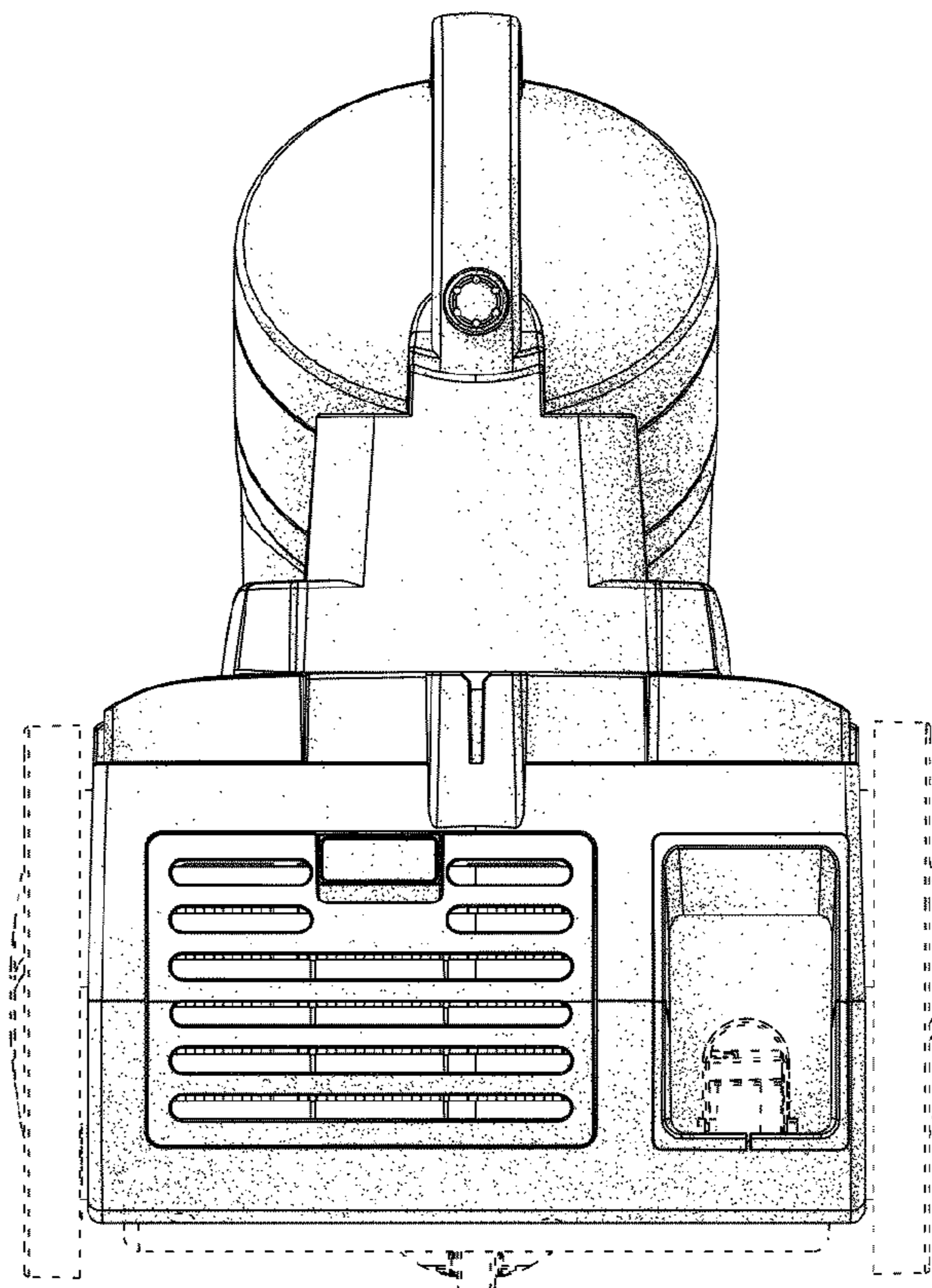


Fig. 3

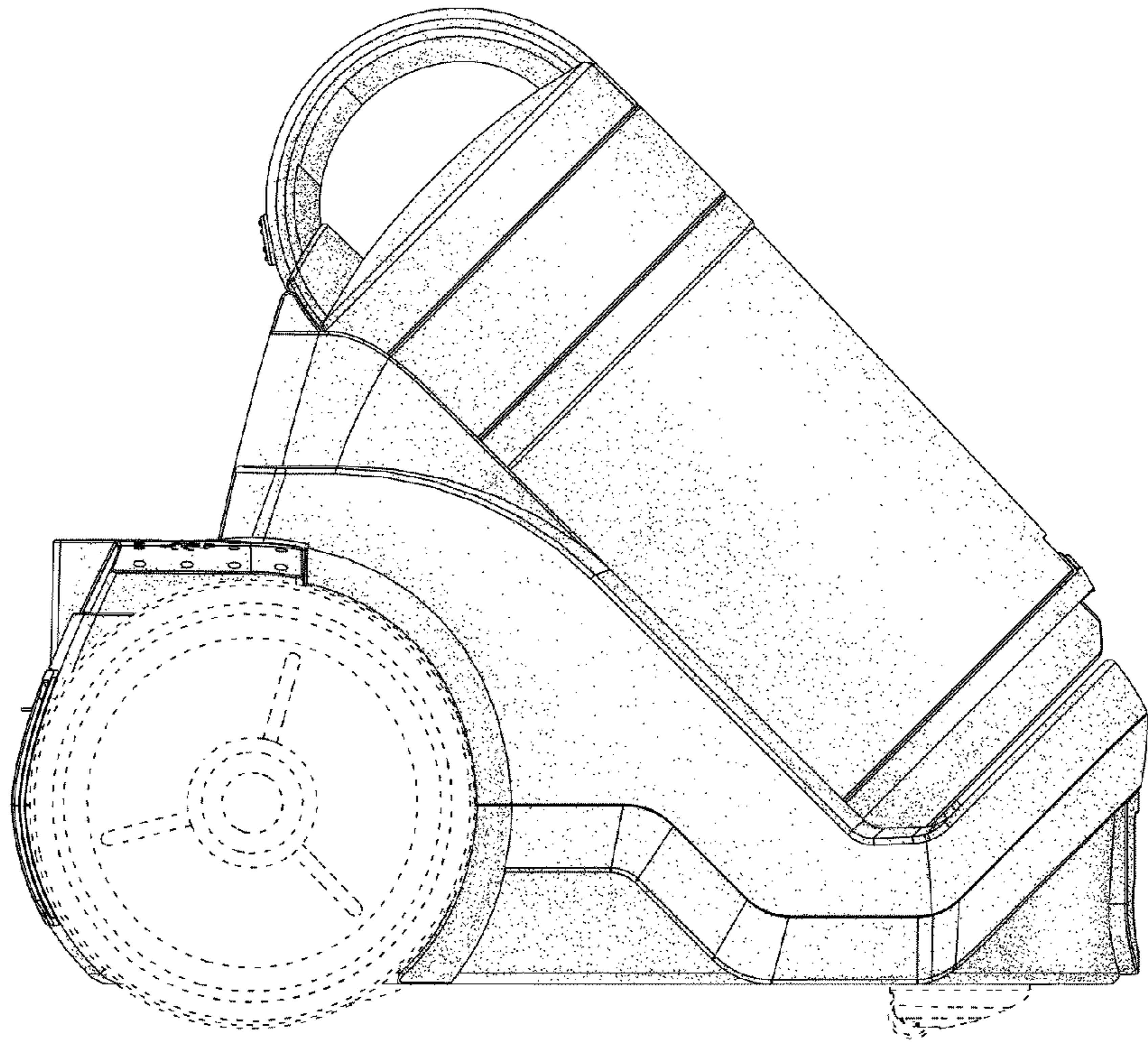


Fig. 4

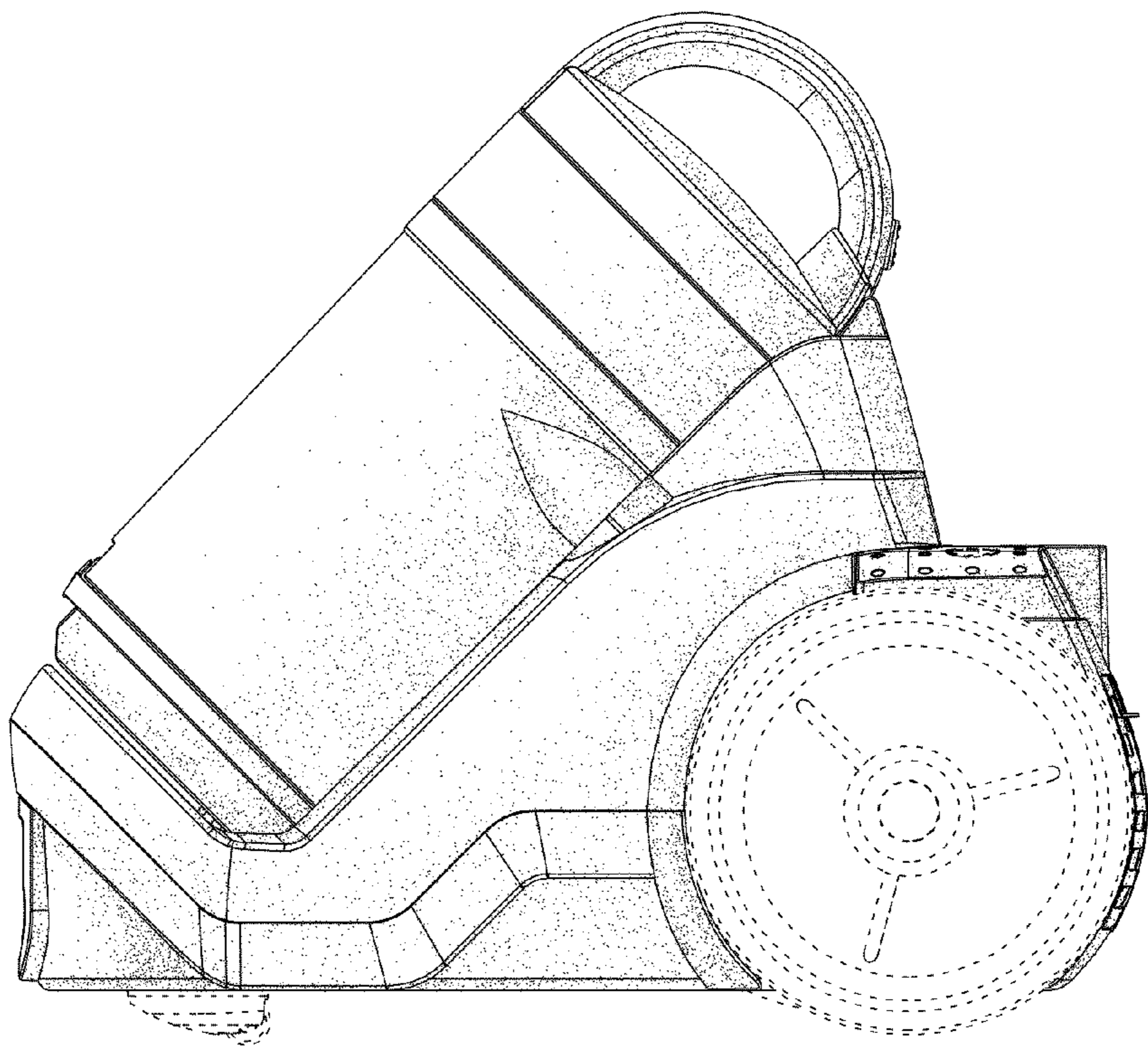


Fig. 5

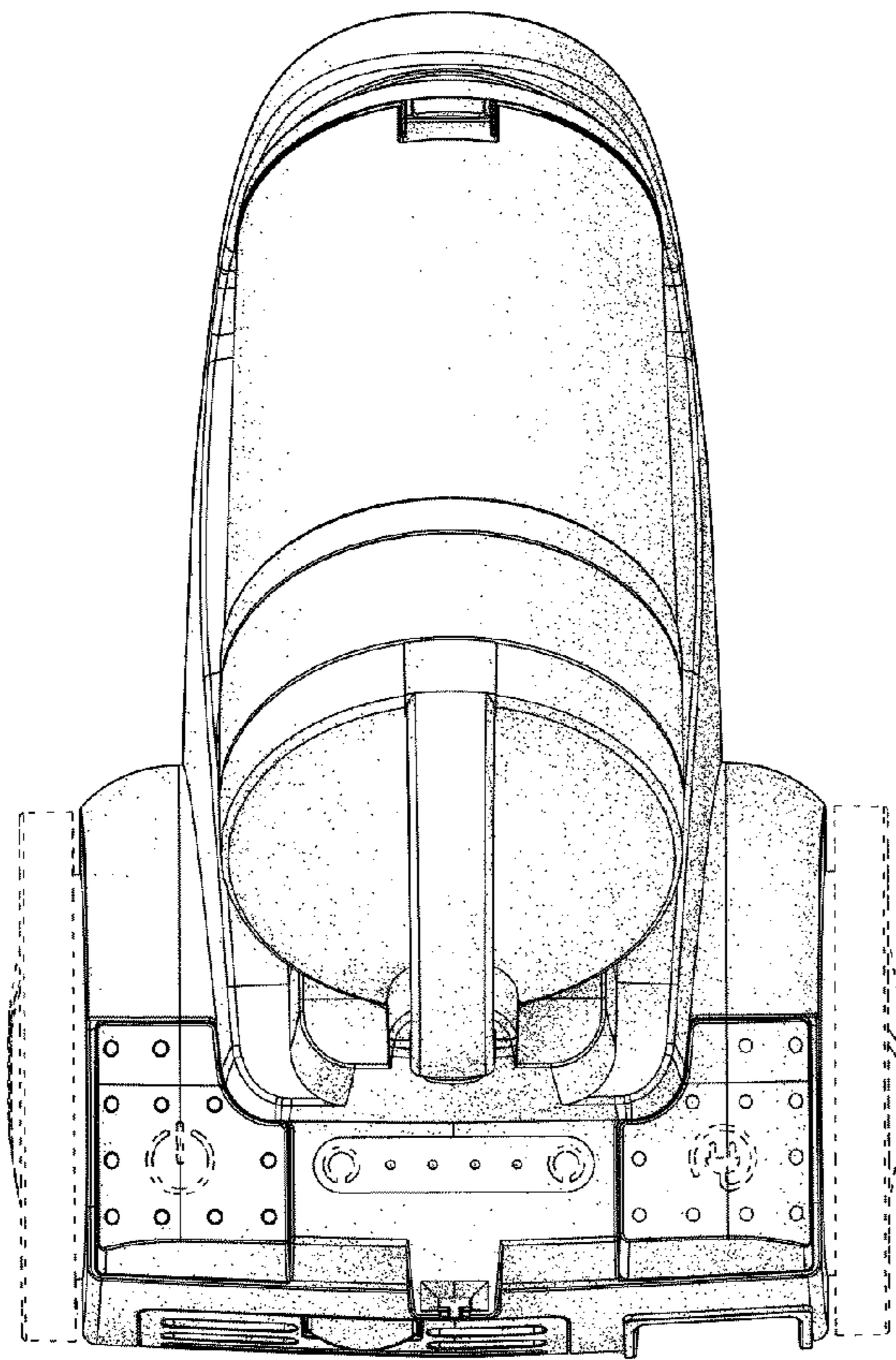


Fig. 6

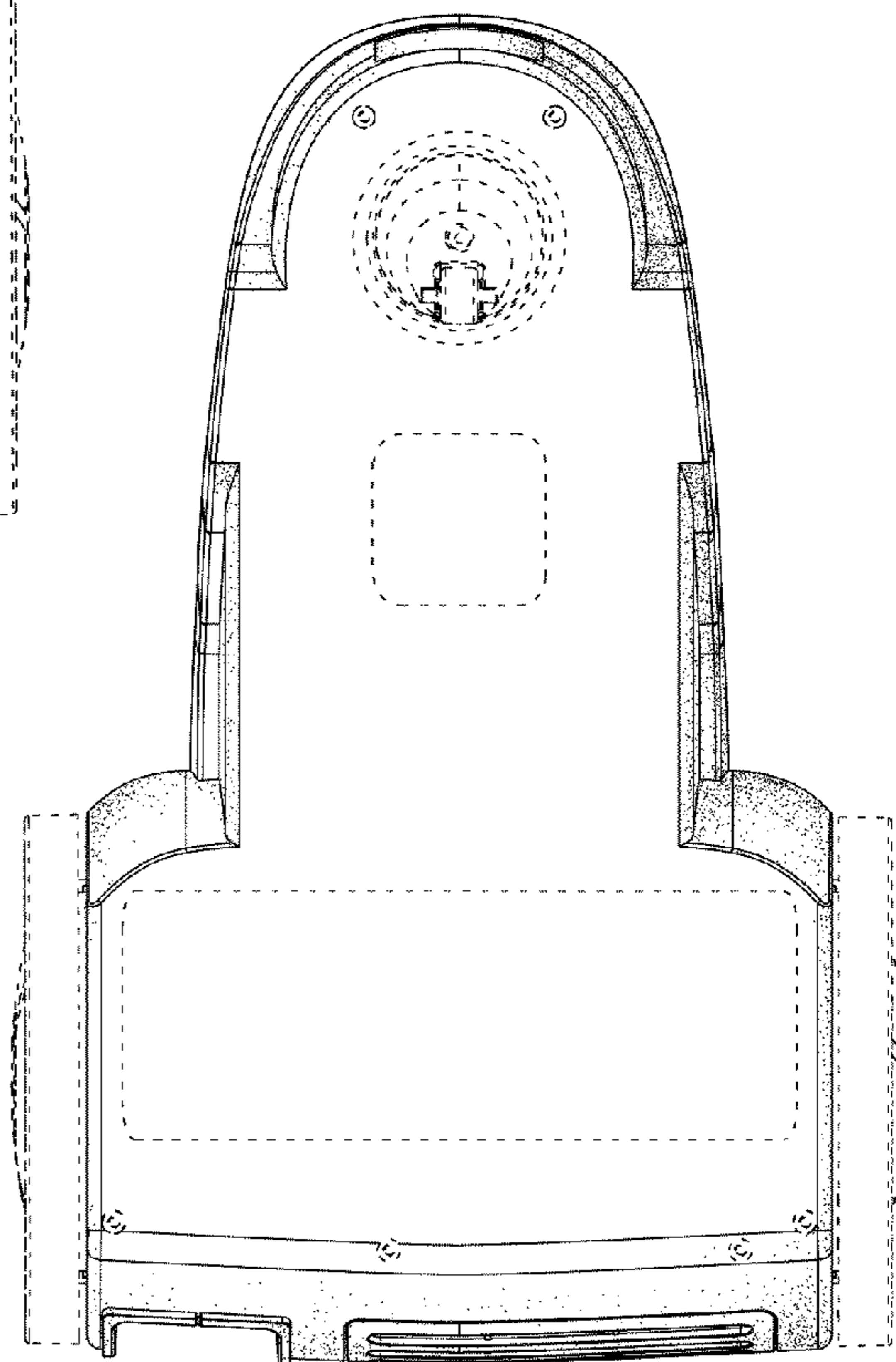


Fig. 7