



US00D646030S

(12) **United States Design Patent**
Carr et al.

(10) **Patent No.:** **US D646,030 S**

(45) **Date of Patent:** **** Sep. 27, 2011**

(54) **CYCLONE MODULE FOR VACUUM CLEANER**

(75) Inventors: **Adam G. Carr**, Ada, MI (US); **Michael Luyckx**, Ada, MI (US); **Douglas J. Medema**, Belding, MI (US); **Lawrence Chun-Hei Chu**, Shenzhen (CN); **Wendy Hui Wu**, Guangdong (CN)

(73) Assignee: **BISSELL Homecare, Inc.**, Grand Rapids, MI (US)

(**) Term: **14 Years**

(21) Appl. No.: **29/355,719**

(22) Filed: **Feb. 12, 2010**

(51) **LOC (9) Cl.** **15-05**

(52) **U.S. Cl.** **D32/21**

(58) **Field of Classification Search** D32/21-24, D32/31; 15/327.1-327.7, 329, 412, 320-321; 55/DIG. 3, 345, 357, 429, 271; 95/271
See application file for complete search history.

(56) **References Cited**

U.S. PATENT DOCUMENTS

D445,226 S *	7/2001	Jupp	D32/21
D484,286 S *	12/2003	Dyson et al.	D32/24
D518,611 S *	4/2006	Hare	D32/21
D552,310 S *	10/2007	Shin	D32/21

D555,849 S *	11/2007	Choi et al.	D32/21
D555,851 S *	11/2007	Shin et al.	D32/21
D555,852 S *	11/2007	Shin et al.	D32/21
D556,962 S *	12/2007	Choi et al.	D32/21
D557,470 S *	12/2007	Choi et al.	D32/21
7,380,308 B2 *	6/2008	Oh et al.	15/327.2
D594,162 S *	6/2009	Knox et al.	D32/21
7,555,808 B2 *	7/2009	Oh et al.	15/327.2

* cited by examiner

Primary Examiner — Ruth McInroy

(74) *Attorney, Agent, or Firm* — McGarry Bair PC

(57) **CLAIM**

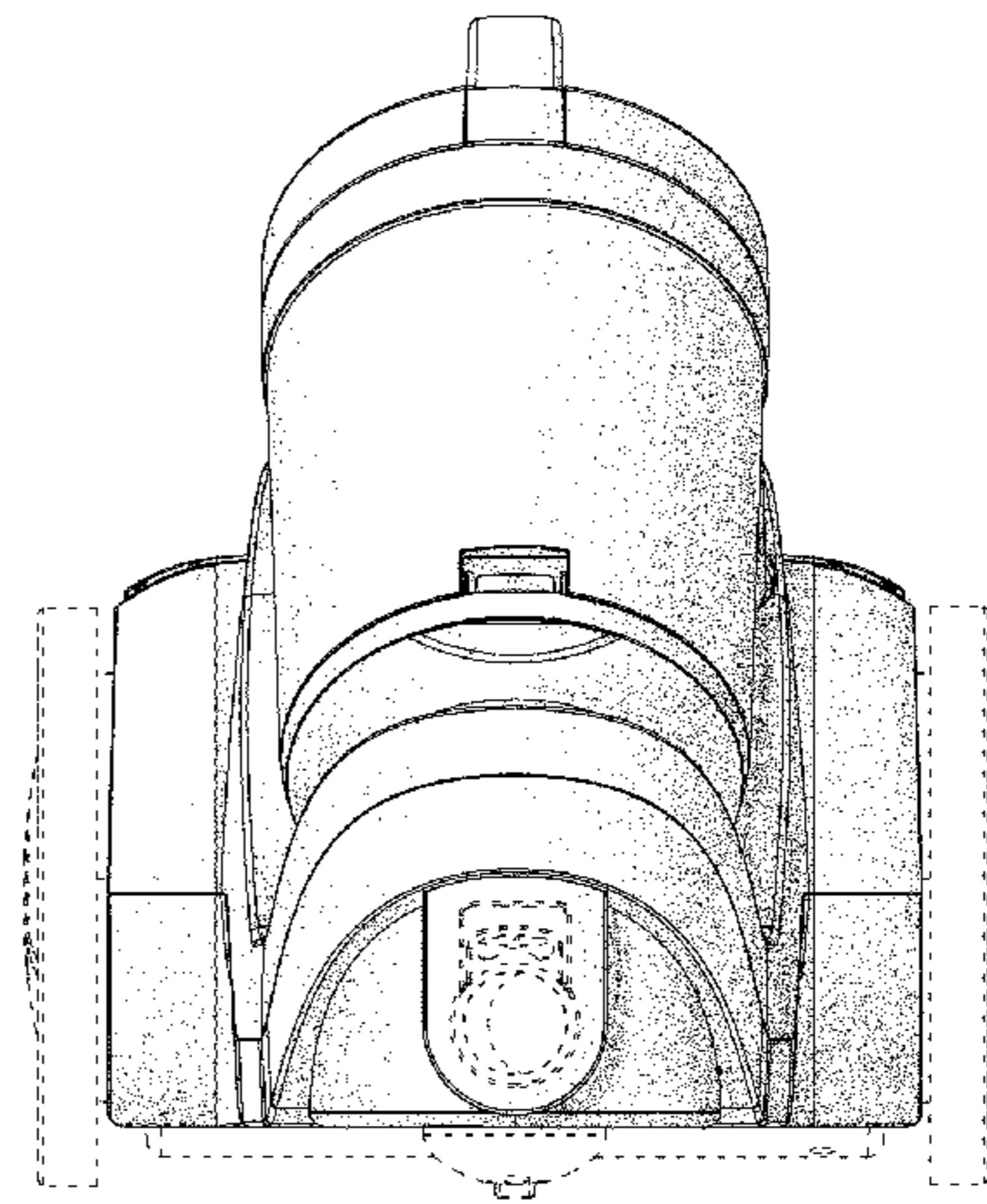
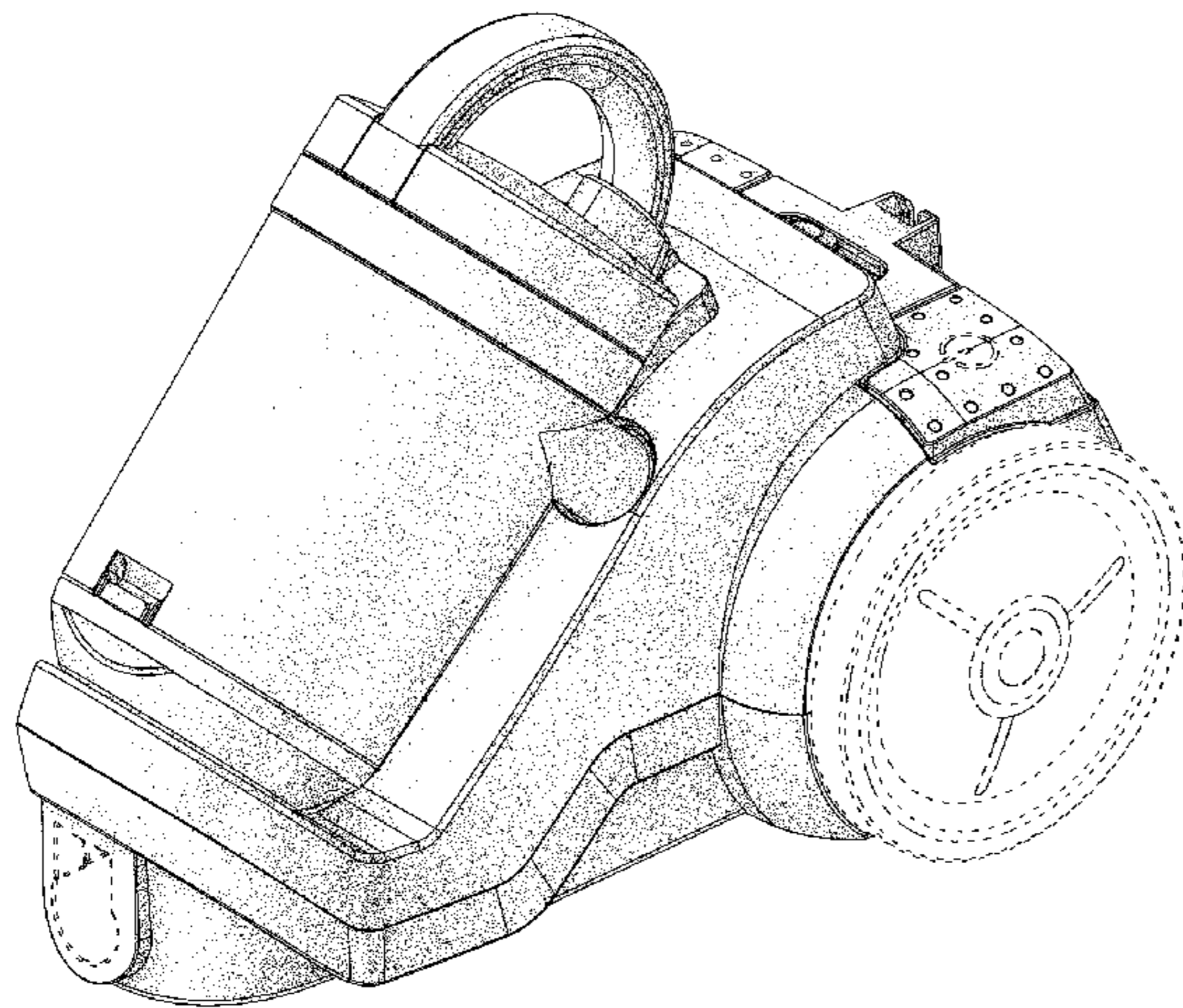
The ornamental design for a cyclone module for vacuum cleaner, as shown and described.

DESCRIPTION

FIG. 1 is a front perspective view of a cyclone module for vacuum cleaner which embodies our design; FIG. 2 is a front view thereof; FIG. 3 is a rear view thereof; FIG. 4 is a left side view thereof; FIG. 5 is a right side view thereof; FIG. 6 is a top view thereof; and, FIG. 7 is a bottom view thereof.

The details shown in broken lines form no part of the claimed design.

1 Claim, 4 Drawing Sheets



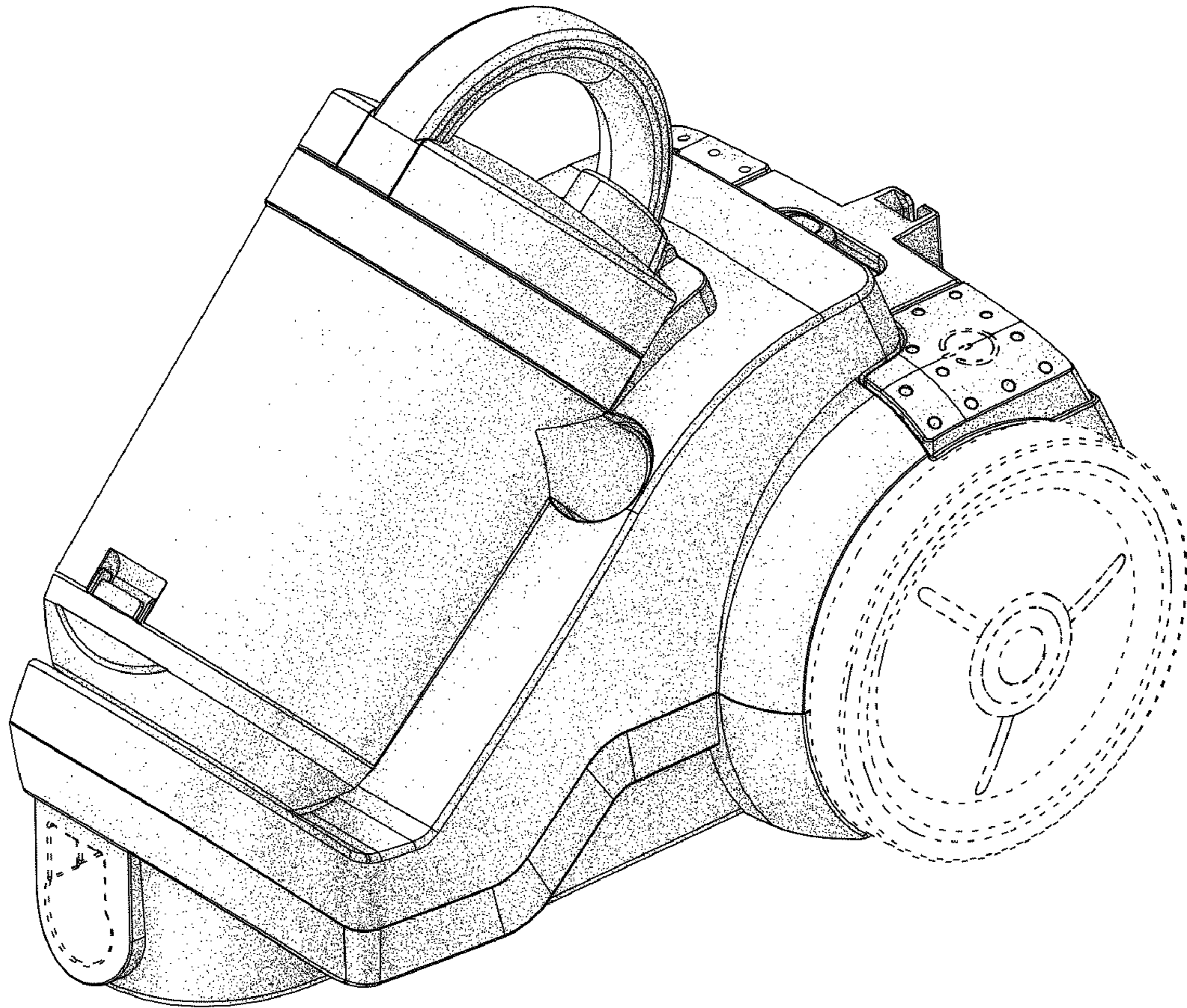


Fig. 1

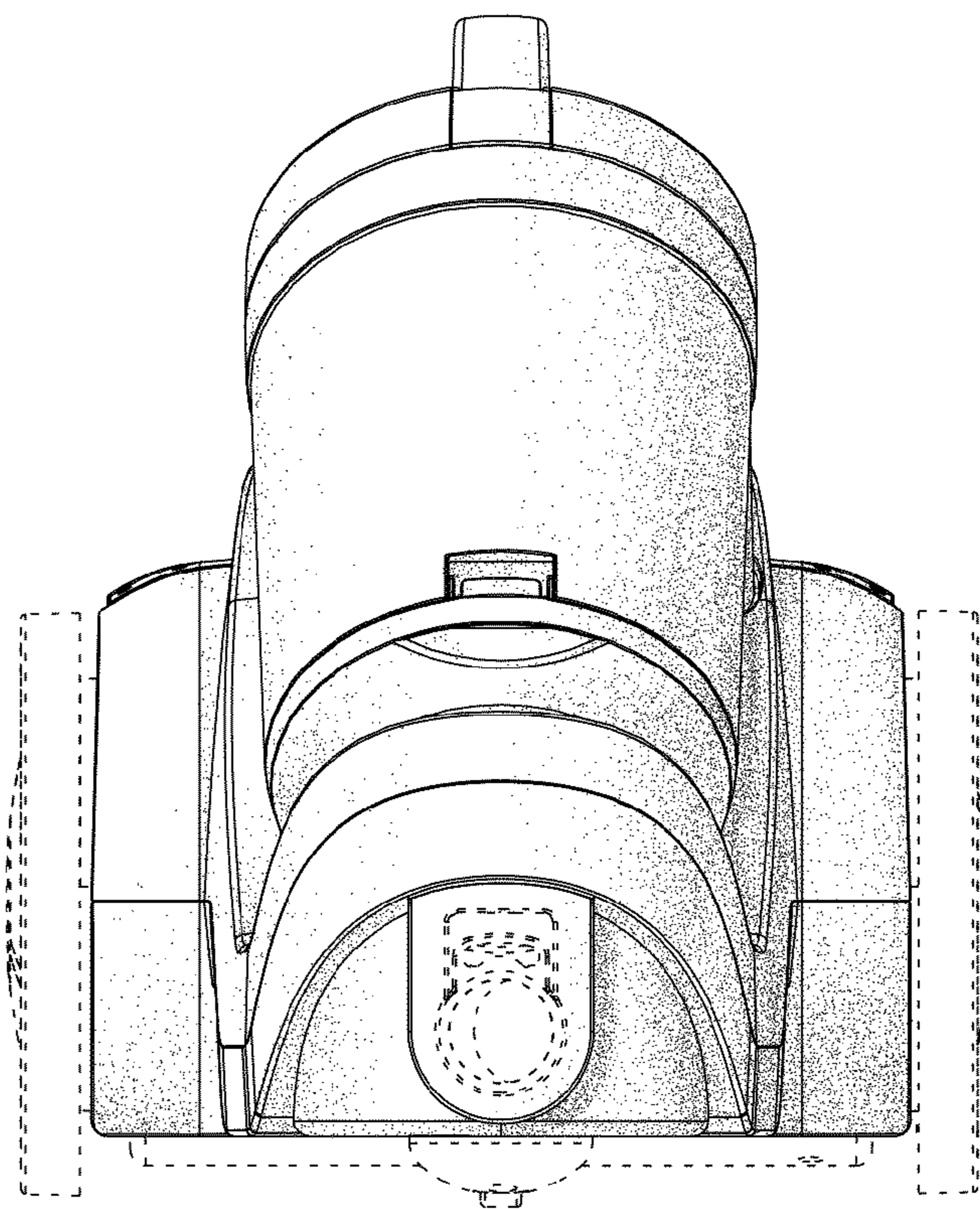


Fig. 2

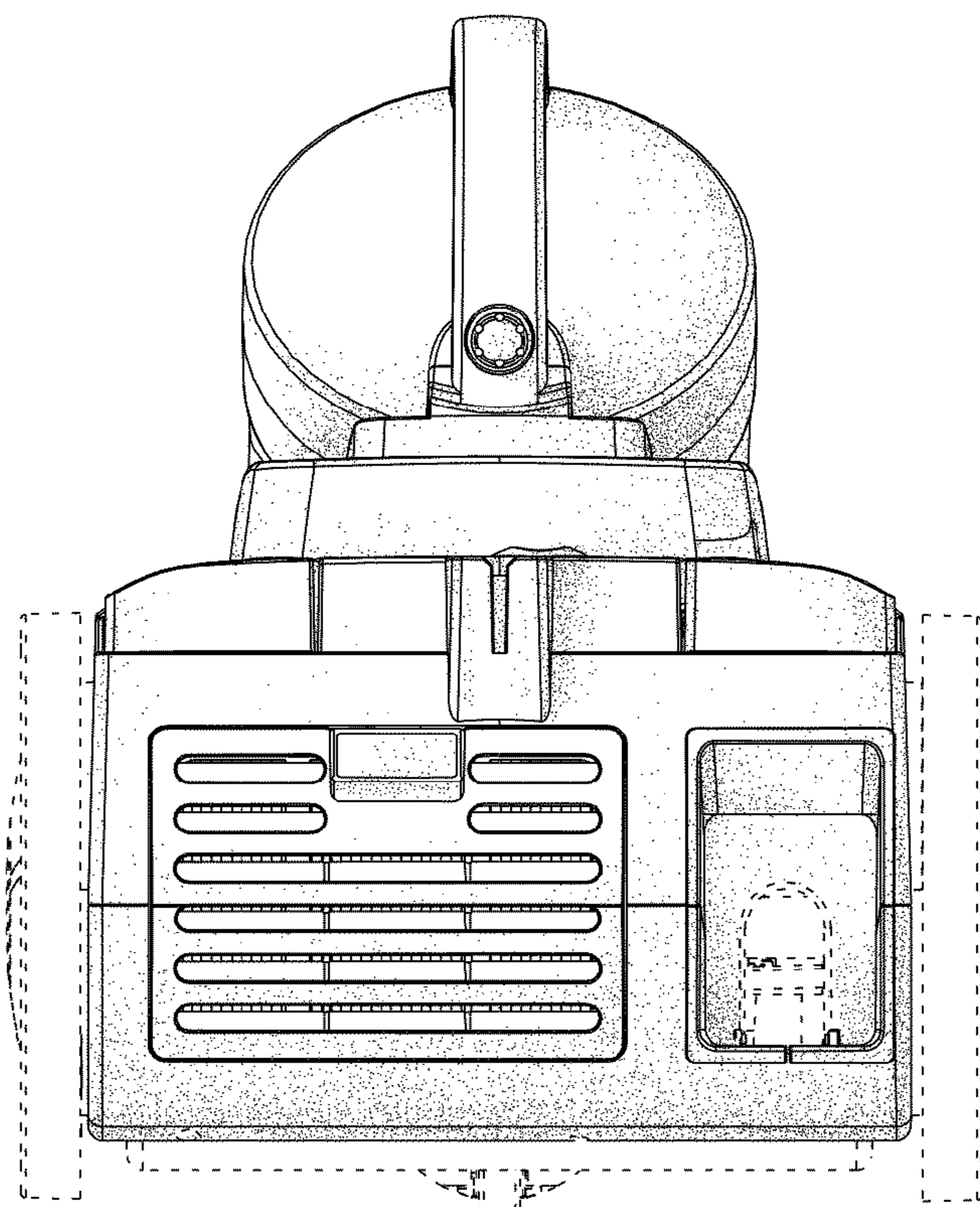


Fig. 3

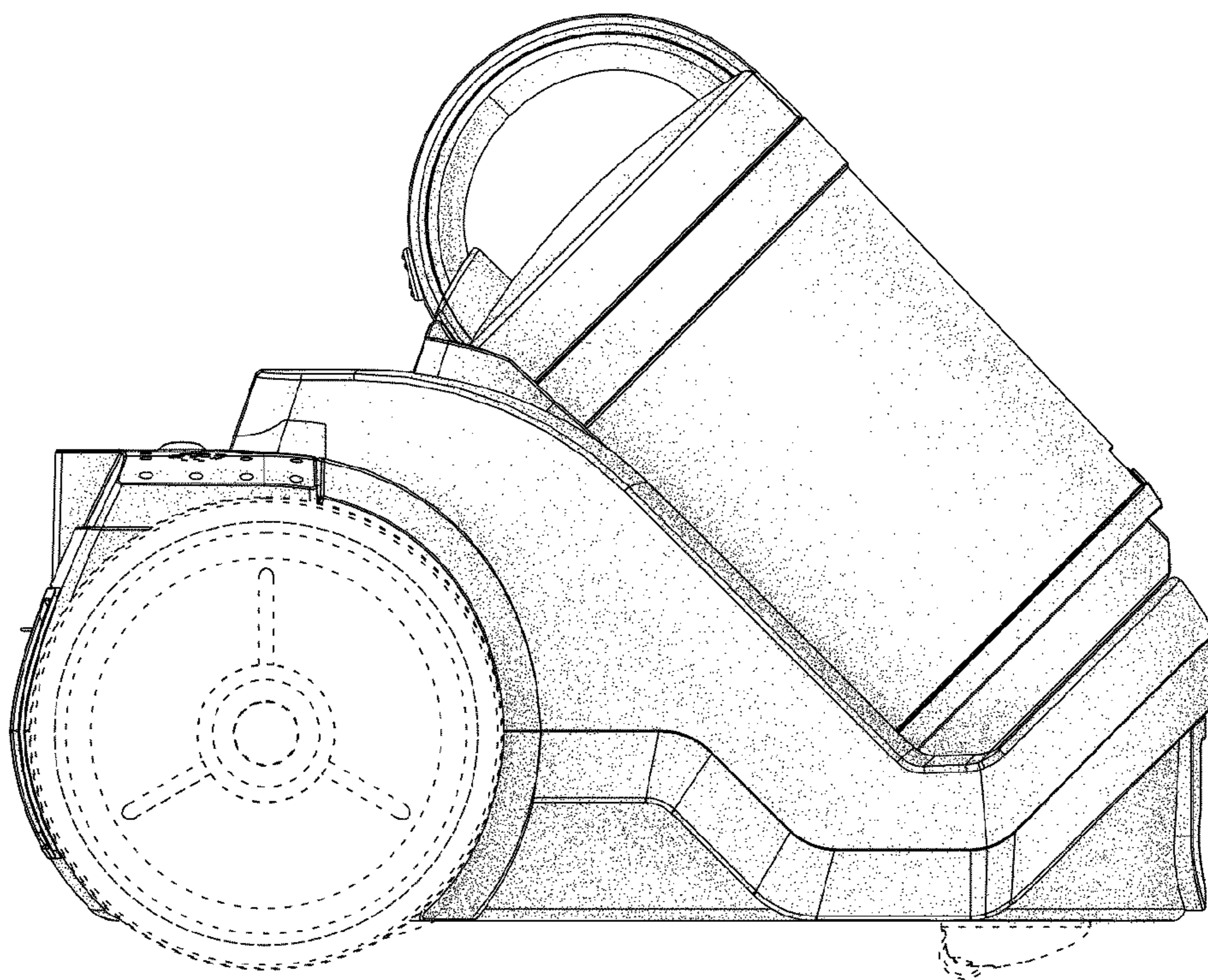


Fig. 4

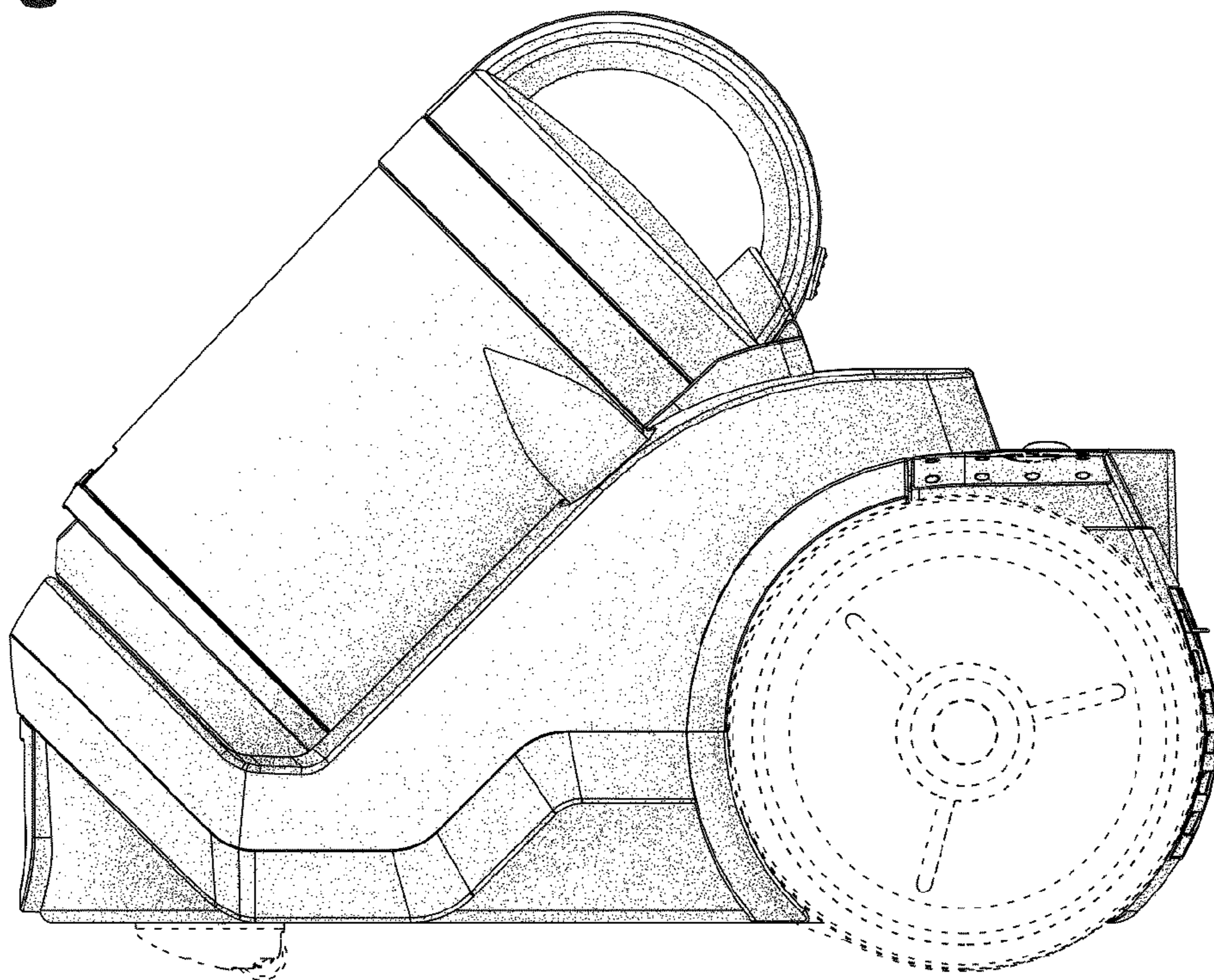


Fig. 5

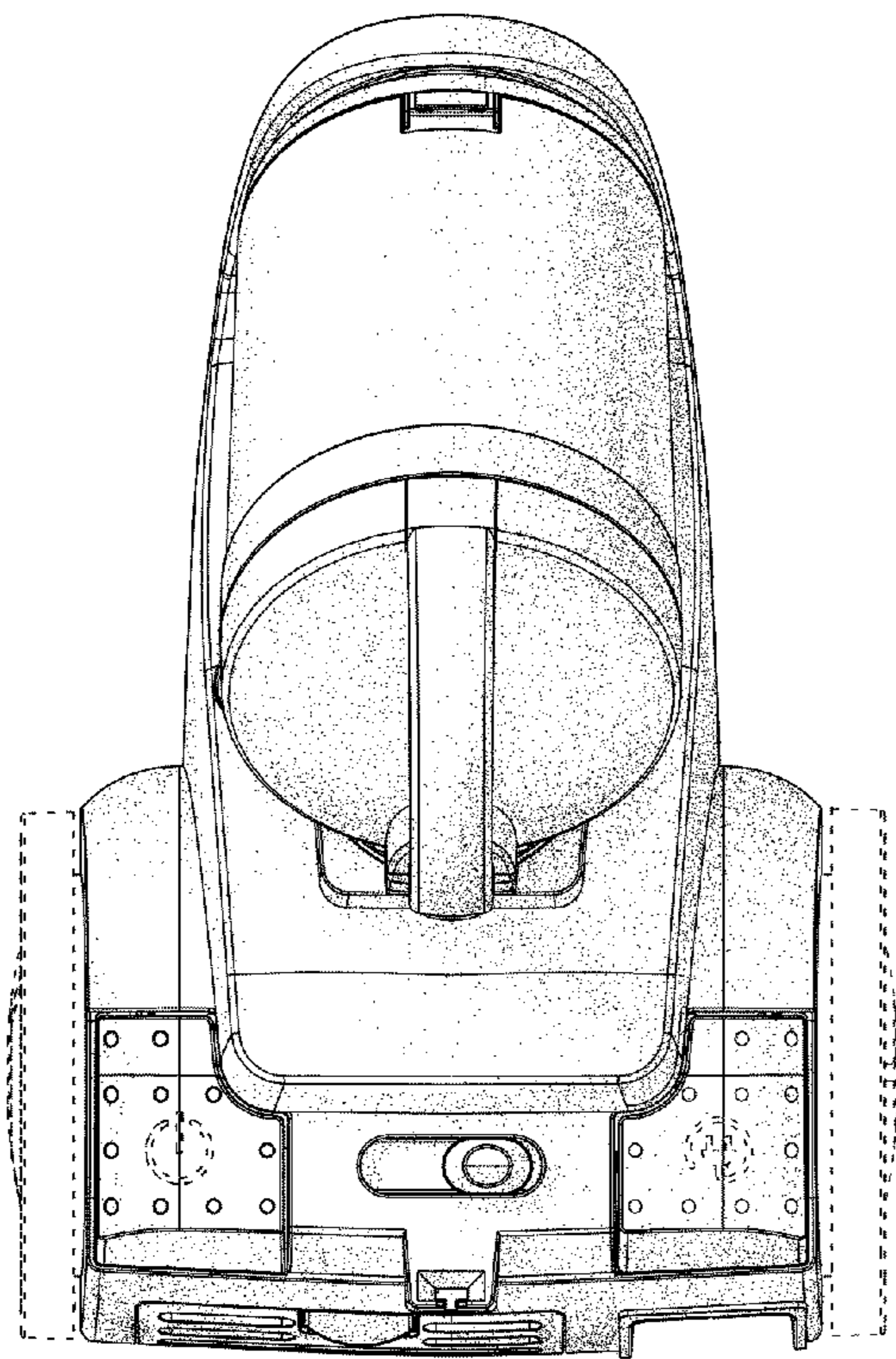


Fig. 6

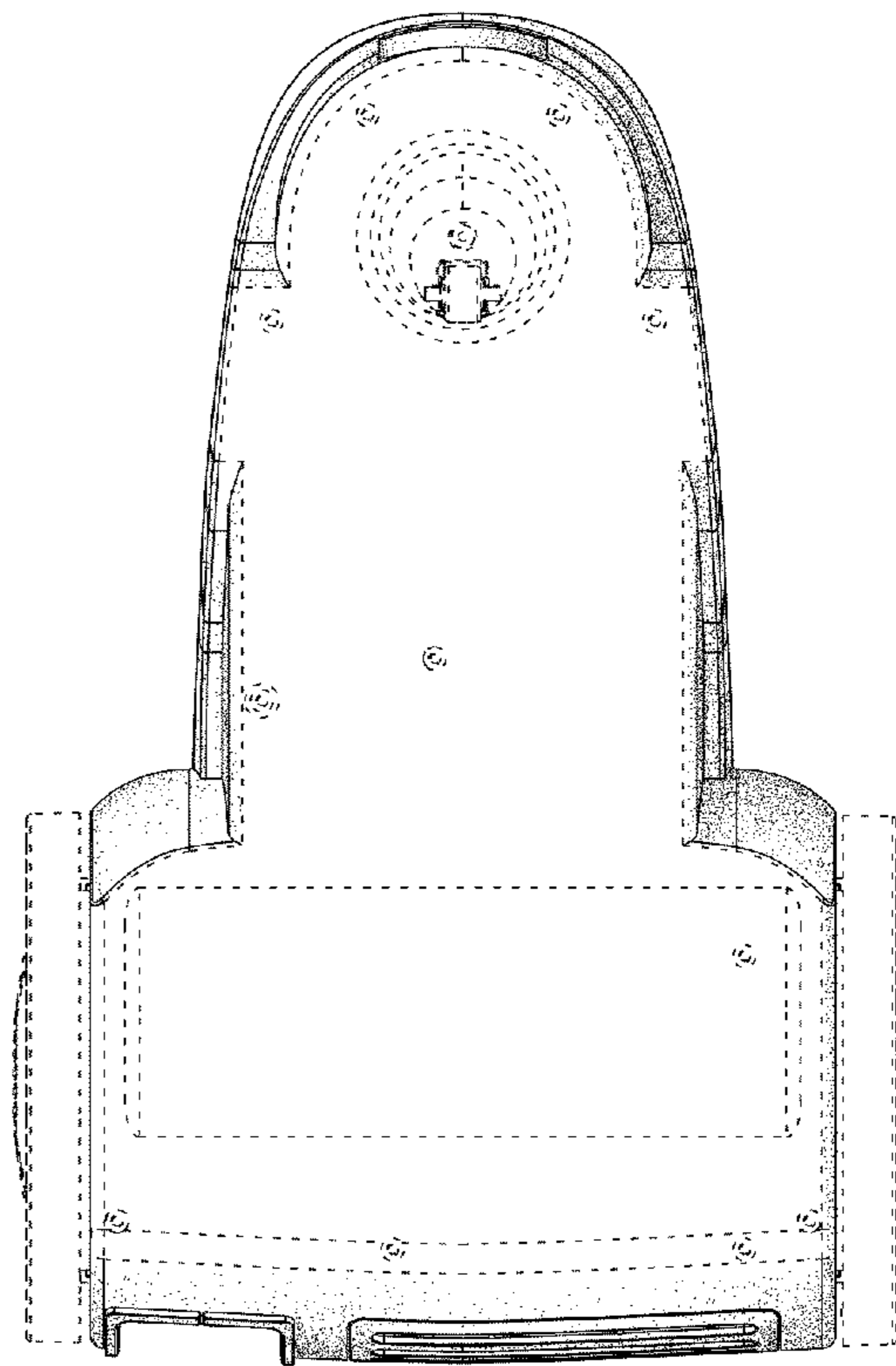


Fig. 7