



US00D646027S

(12) **United States Design Patent**
Colwell

(10) **Patent No.:** **US D646,027 S**

(45) **Date of Patent:** **** Sep. 27, 2011**

(54) **PERCH FOR BIRD FEEDER**

(75) Inventor: **Scott Colwell**, Dayville, CT (US)

(73) Assignee: **Droll Yankees, Inc.**, Plainfield, CT (US)

(**) Term: **14 Years**

(21) Appl. No.: **29/342,943**

(22) Filed: **Sep. 3, 2009**

(51) **LOC (9) Cl.** **30-03**

(52) **U.S. Cl.** **D30/124**

(58) **Field of Classification Search** D30/121,
D30/124-128, 110, 115, 117, 119; 119/51.01,
119/57.8, 53, 428, 429, 469; D6/403-405,
D6/482-486, 495, 496, 439, 431, 423, 477-479,
D6/449, 349; D7/409, 387, 558, 500, 552.2,
D7/566, 388; D11/131, 143, 144, 152-154;
D8/349; D20/10; D3/306; 248/27.8, 188,
248/188.1, 188.7, 188.8, 346.01; 47/39,
47/40, 65.5, 66.6, 67; 108/150, 153.1, 158,
108/155, 156, 157.1; 297/455, 447, 461;
206/423; 211/85.23, 85.31; 217/122; 223/107
See application file for complete search history.

(56) **References Cited**

U.S. PATENT DOCUMENTS

913,474	A *	2/1909	Dreibuss	47/40.5
1,481,015	A *	1/1924	Klein	248/524
1,565,117	A *	12/1925	Stabbert	119/77
D168,379	S *	12/1952	Scanland	D11/130.1
2,621,878	A *	12/1952	Kruger	47/40.5
2,875,729	A *	3/1959	Gibson	119/52.2
3,017,859	A *	1/1962	Stern	119/57.8
D193,864	S *	10/1962	Austenson	D11/130.1
3,610,558	A *	10/1971	Tawara	47/40.5
3,734,061	A *	5/1973	Kraus	119/52.2
D242,647	S *	12/1976	Van Horn	D26/96
4,009,686	A *	3/1977	Gilchrist	
D282,018	S *	12/1985	Kilham	D30/128

4,664,066	A *	5/1987	Stuernagel et al.	119/52.2
4,691,665	A *	9/1987	Hefner	119/77
4,732,112	A *	3/1988	Fenner et al.	119/52.2
D302,875	S *	8/1989	Earl	D30/124
4,889,309	A *	12/1989	McCure	248/524
D344,911	S *	3/1994	Stork	D11/130.1
D355,566	S *	2/1995	Stephen et al.	D7/403
D374,195	S *	10/1996	Wright et al.	D11/130.1
D380,878	S *	7/1997	Brown	D30/124

(Continued)

Primary Examiner — Susan Moon Lee

(74) *Attorney, Agent, or Firm* — Brian M. Dingman; Mirick, O'Connell, DeMallie & Lougee, LLP

(57) **CLAIM**

I claim the ornamental design for a perch for bird feeder, as shown and described.

DESCRIPTION

FIG. 1 is a perspective view of a first embodiment of a perch for bird feeder of the invention, in which the broken lines are for illustrative purposes only and form no part of the claimed design;

FIG. 2 is a perspective view of the perch for bird feeder of FIG. 1;

FIG. 3 is a side view of the perch for bird feeder of FIG. 1;

FIG. 4 is a top view of the perch for bird feeder of FIG. 1;

FIG. 5 is a bottom view of the perch for bird feeder of FIG. 1;

FIG. 6 is a perspective view of a second embodiment of a perch for bird feeder of the invention, in which the broken lines are for illustrative purposes only and form no part of the claimed design;

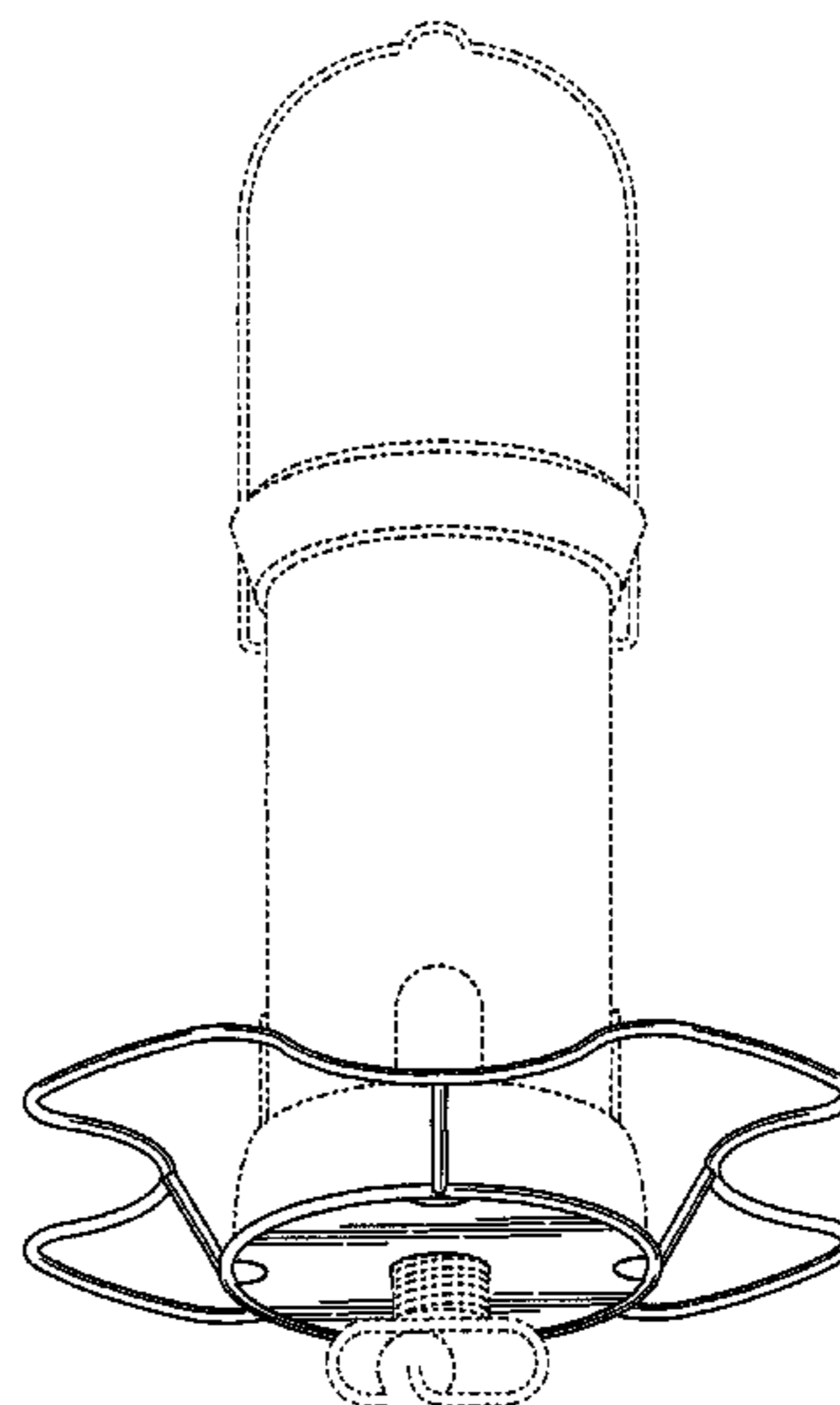
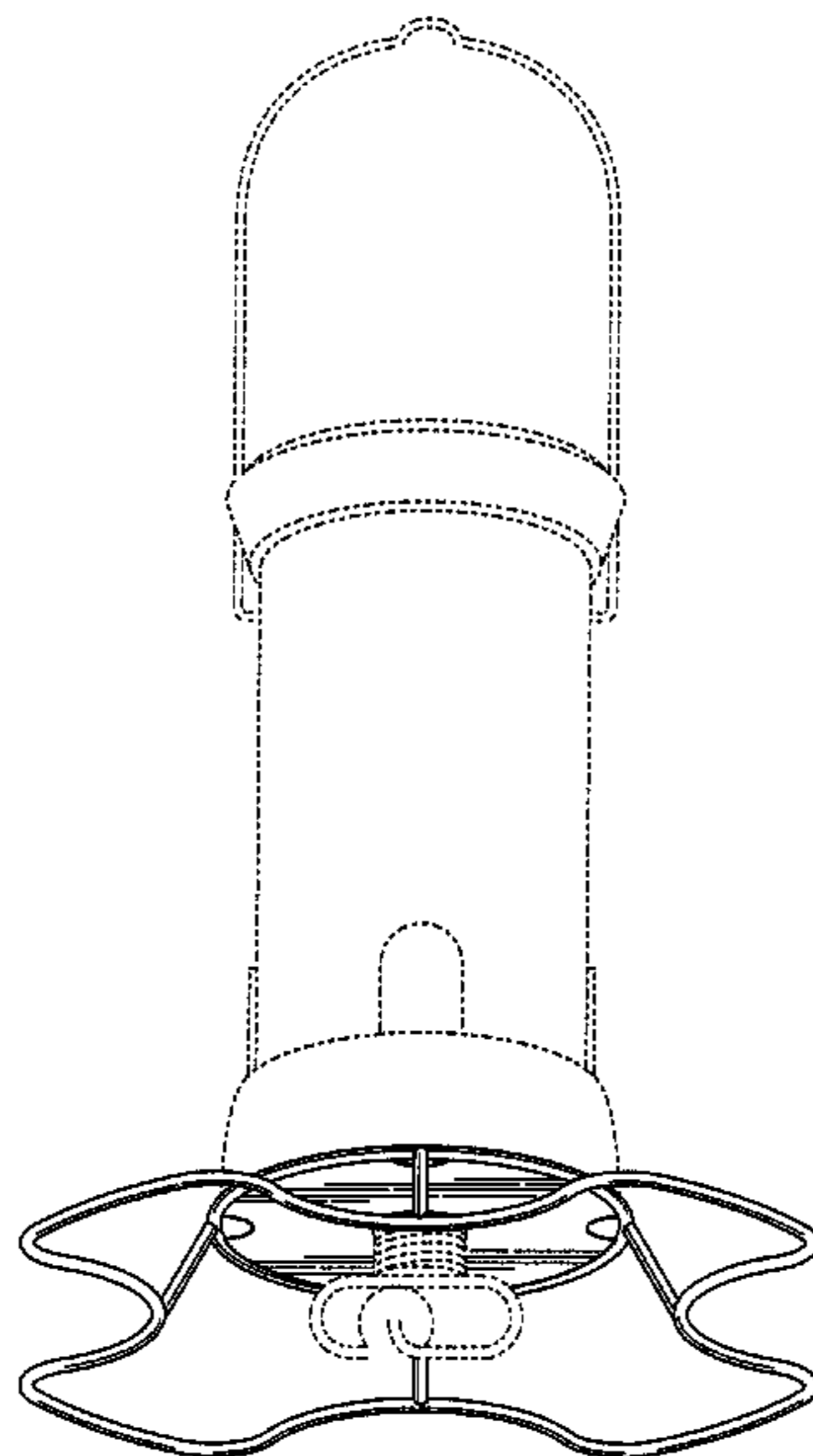
FIG. 7 is a perspective view of the perch for bird feeder of FIG. 6;

FIG. 8 is a side view of the perch for bird feeder of FIG. 6;

FIG. 9 is a top view of the perch for bird feeder of FIG. 6; and,

FIG. 10 is a bottom view of the perch for bird feeder of FIG. 6.

1 Claim, 6 Drawing Sheets



US D646,027 S

Page 2

U.S. PATENT DOCUMENTS

D381,598	S *	7/1997	Roberts et al.	D11/130.1
D399,166	S *	10/1998	Wright	D11/130.1
6,119,627	A *	9/2000	Banyas et al.	119/57.9
D449,560	S *	10/2001	Krinner et al.	D11/130.1
6,311,641	B1	11/2001	Johnson		
D480,014	S *	9/2003	Goerke	D11/130.1
6,659,041	B1 *	12/2003	Curts	119/52.2
D488,590	S *	4/2004	Fort, II	D30/124
6,834,616	B2 *	12/2004	Fort, II	119/57.8
6,895,894	B2 *	5/2005	Fort, II	119/57.8
D514,749	S *	2/2006	Fort et al.	D30/124
7,021,241	B2	4/2006	Nock		
7,021,598	B2 *	4/2006	Kao	248/521
7,040,251	B2 *	5/2006	Fort, II	119/57.8
D524,490	S *	7/2006	Obenshain	D30/127
D530,457	S *	10/2006	Jung et al.	D30/127
D542,479	S *	5/2007	O'Dell	D30/124
D543,895	S *	6/2007	Bolster	D11/130.1
7,234,418	B2 *	6/2007	Fort et al.	119/72
7,275,500	B2 *	10/2007	Fort, II	119/57.8
D575,188	S *	8/2008	Bycraft	D11/130.1
7,610,875	B2 *	11/2009	Webber	119/57.8
D606,708	S *	12/2009	McMullen	D30/127
D606,709	S *	12/2009	McMullen	D30/127
7,669,553	B2 *	3/2010	White et al.	119/57.8
7,874,264	B2 *	1/2011	McMullen	119/52.2
2004/0134436	A1 *	7/2004	Fort, II	119/57.8
2006/0207512	A1 *	9/2006	Fort, II	119/57.8
2007/0006812	A1 *	1/2007	White et al.	119/57.8
2008/0156269	A1 *	7/2008	Greenwood et al.	119/51.01
2008/0257273	A1 *	10/2008	Carter et al.	119/72
2009/0199467	A1 *	8/2009	Reed	47/40.5
2010/0288201	A1 *	11/2010	Lush	119/52.4
2011/0100299	A1 *	5/2011	Colwell	119/52.2

* cited by examiner

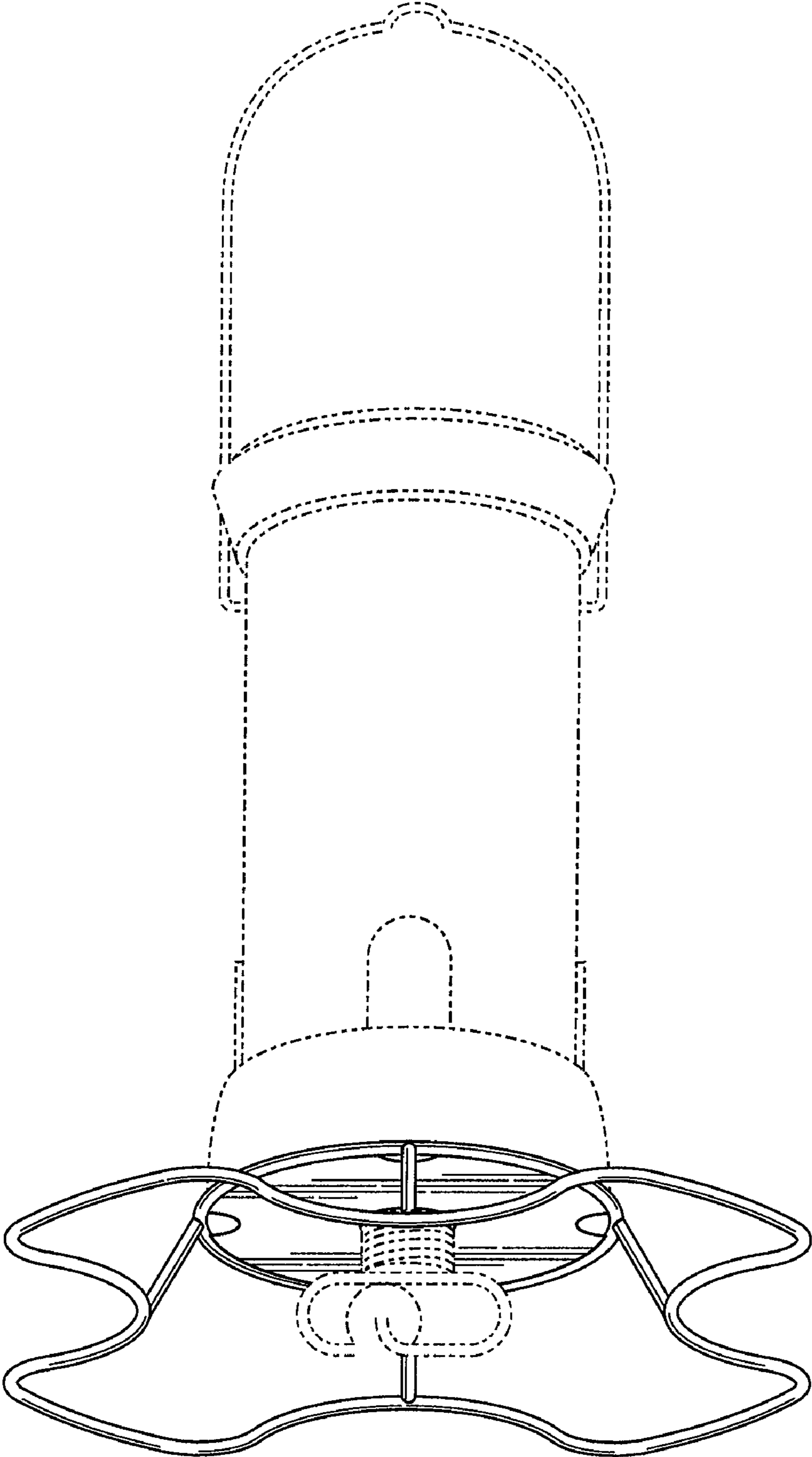


FIG. 1

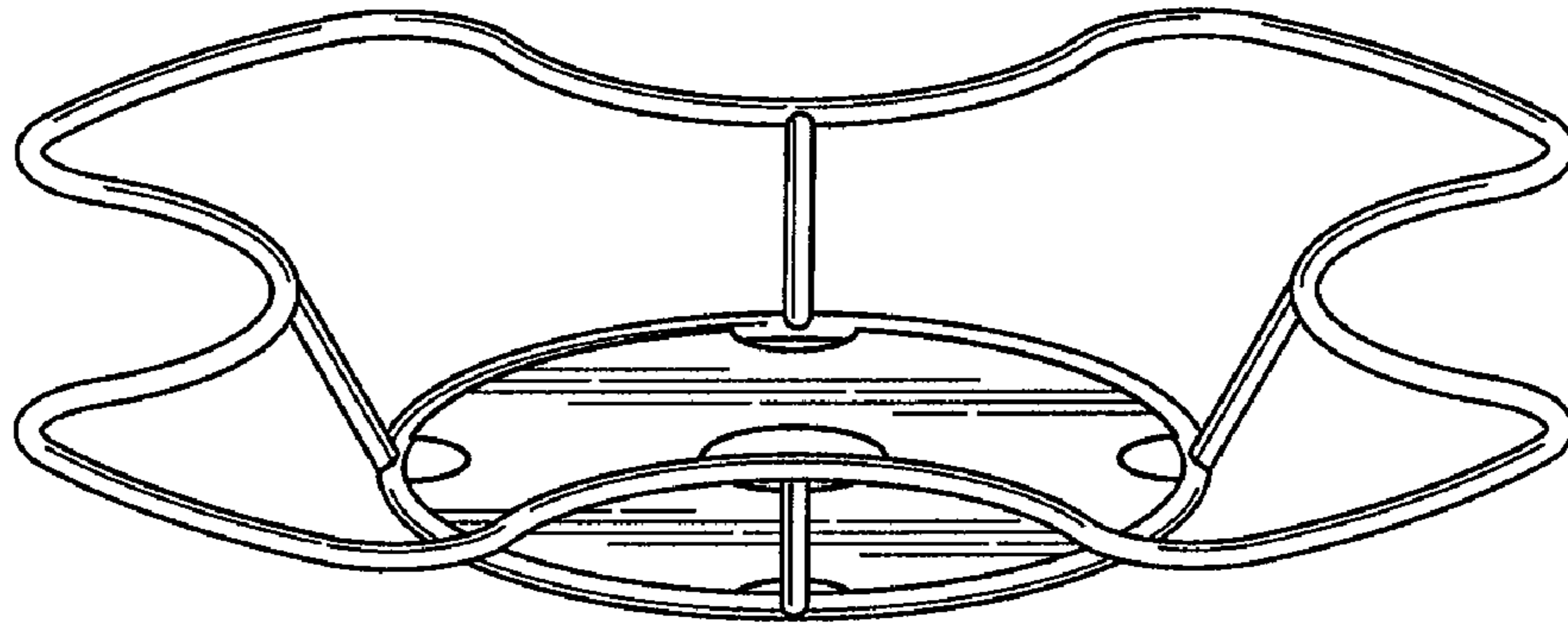


FIG. 2

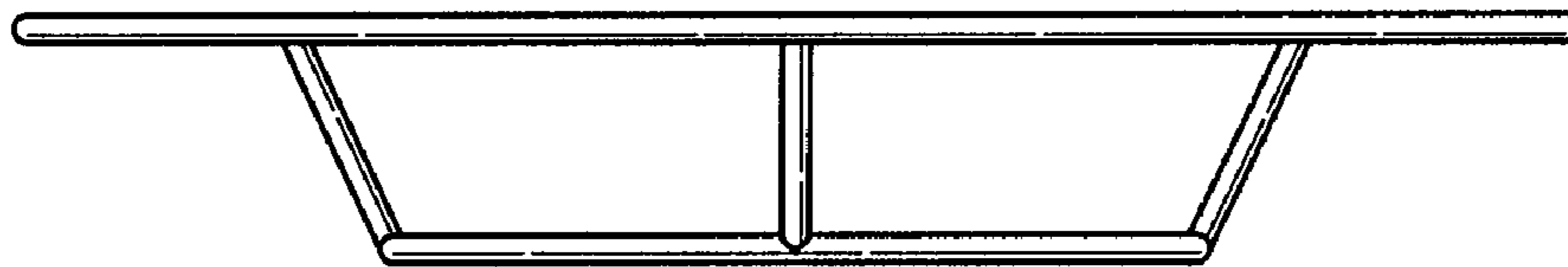


FIG. 3

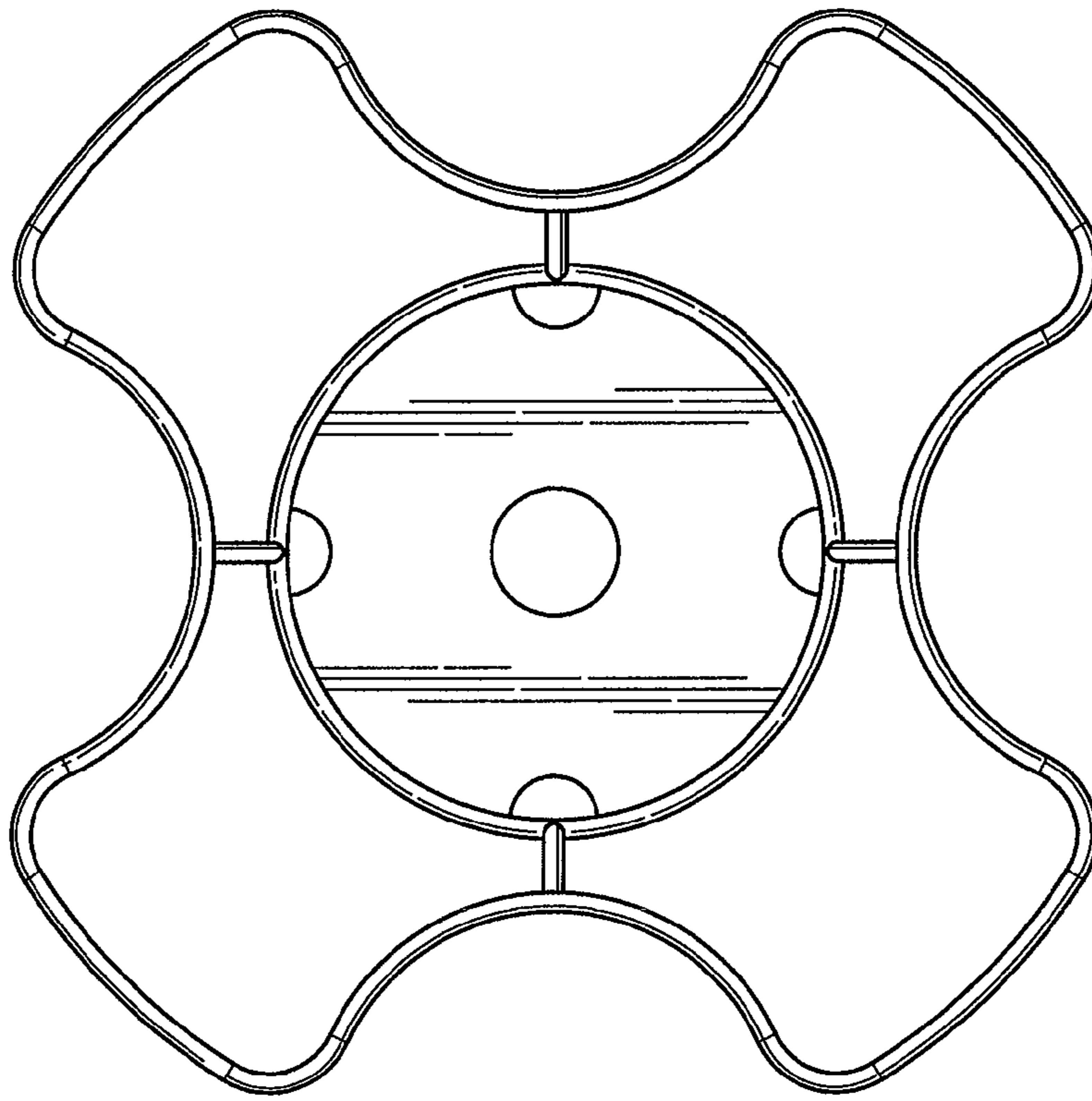


FIG. 4

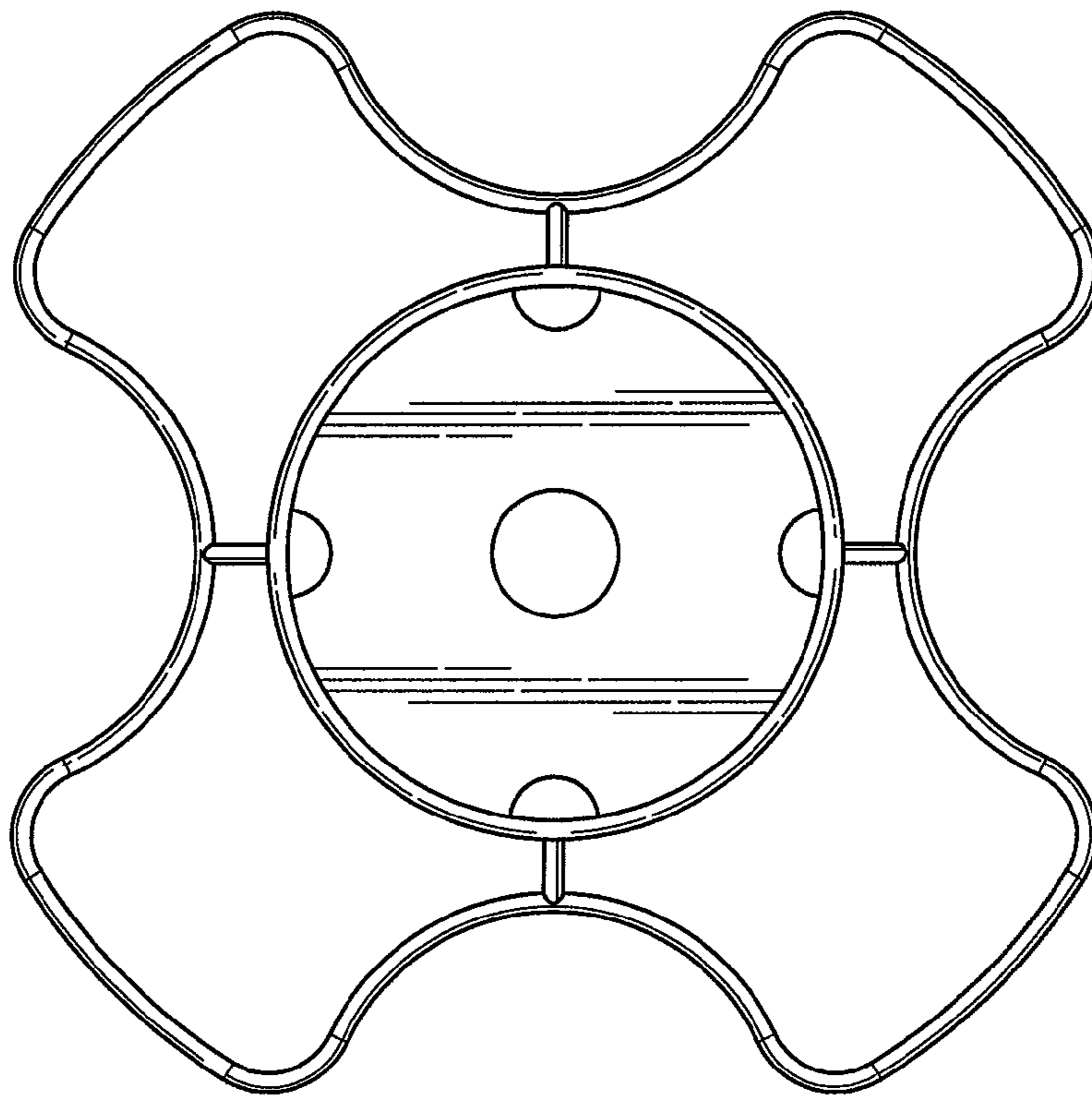


FIG. 5

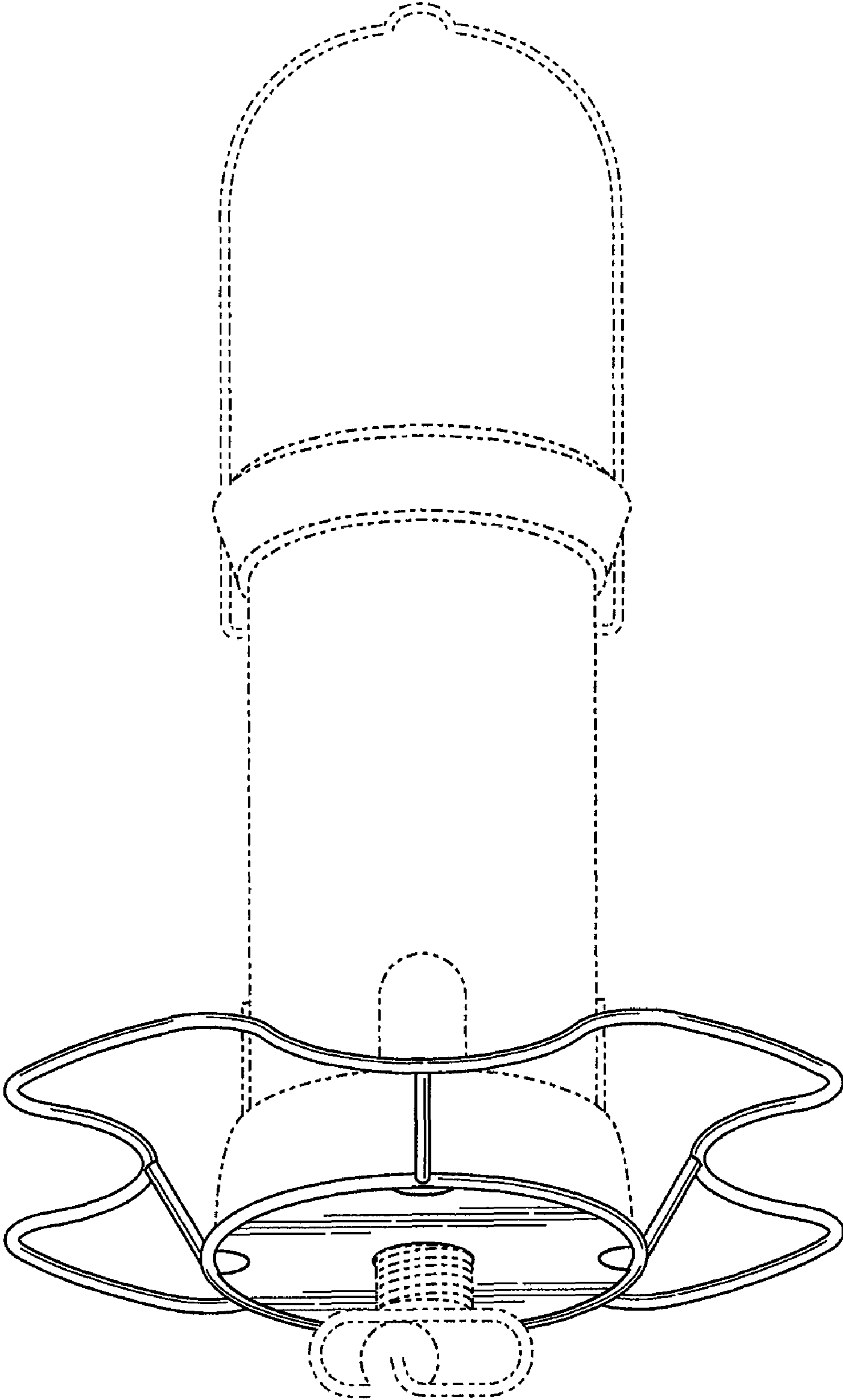


FIG. 6

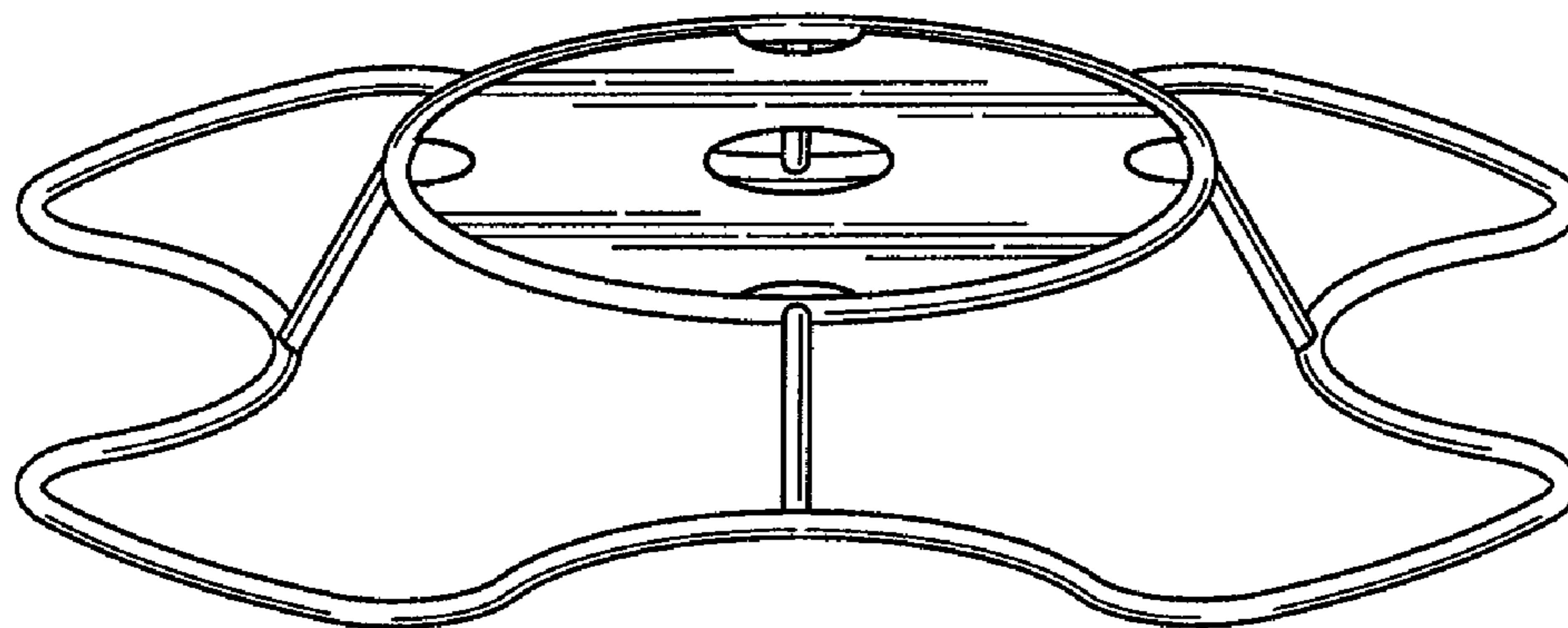


FIG. 7

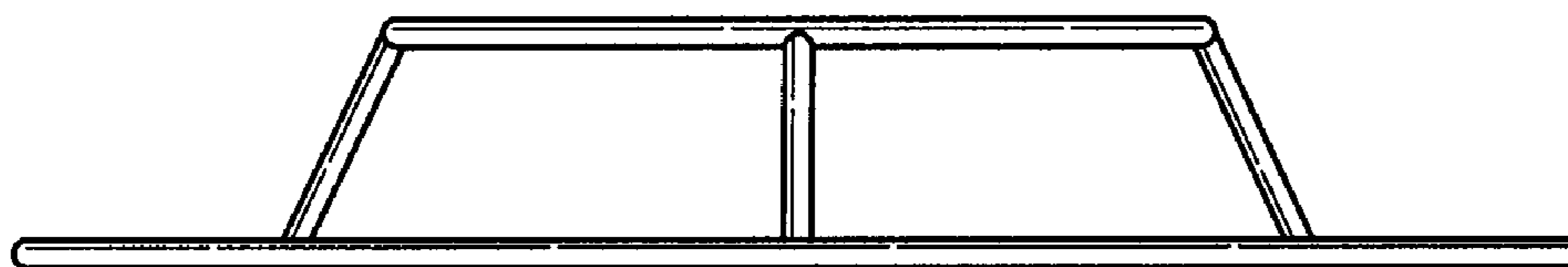


FIG. 8

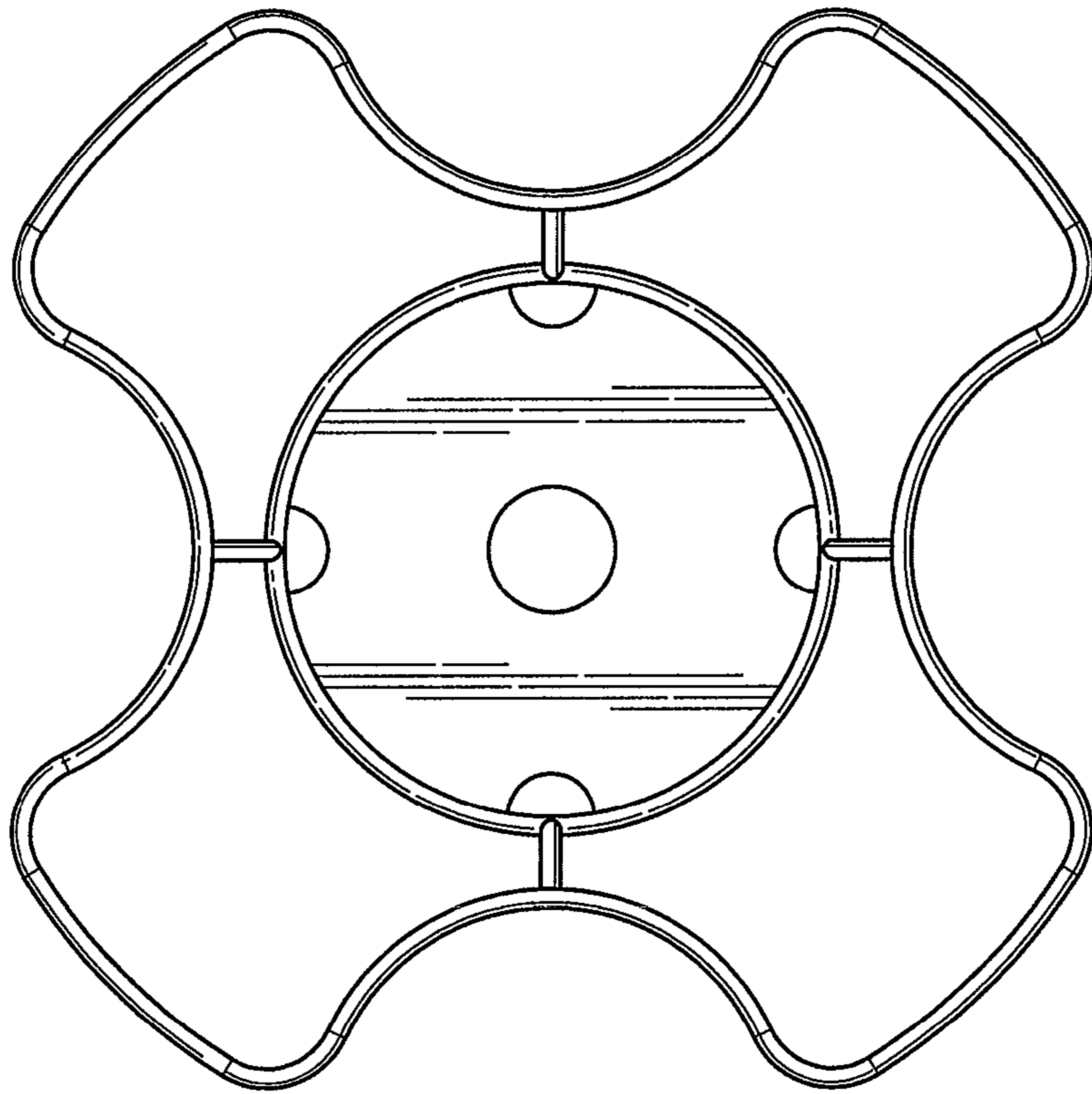


FIG. 9

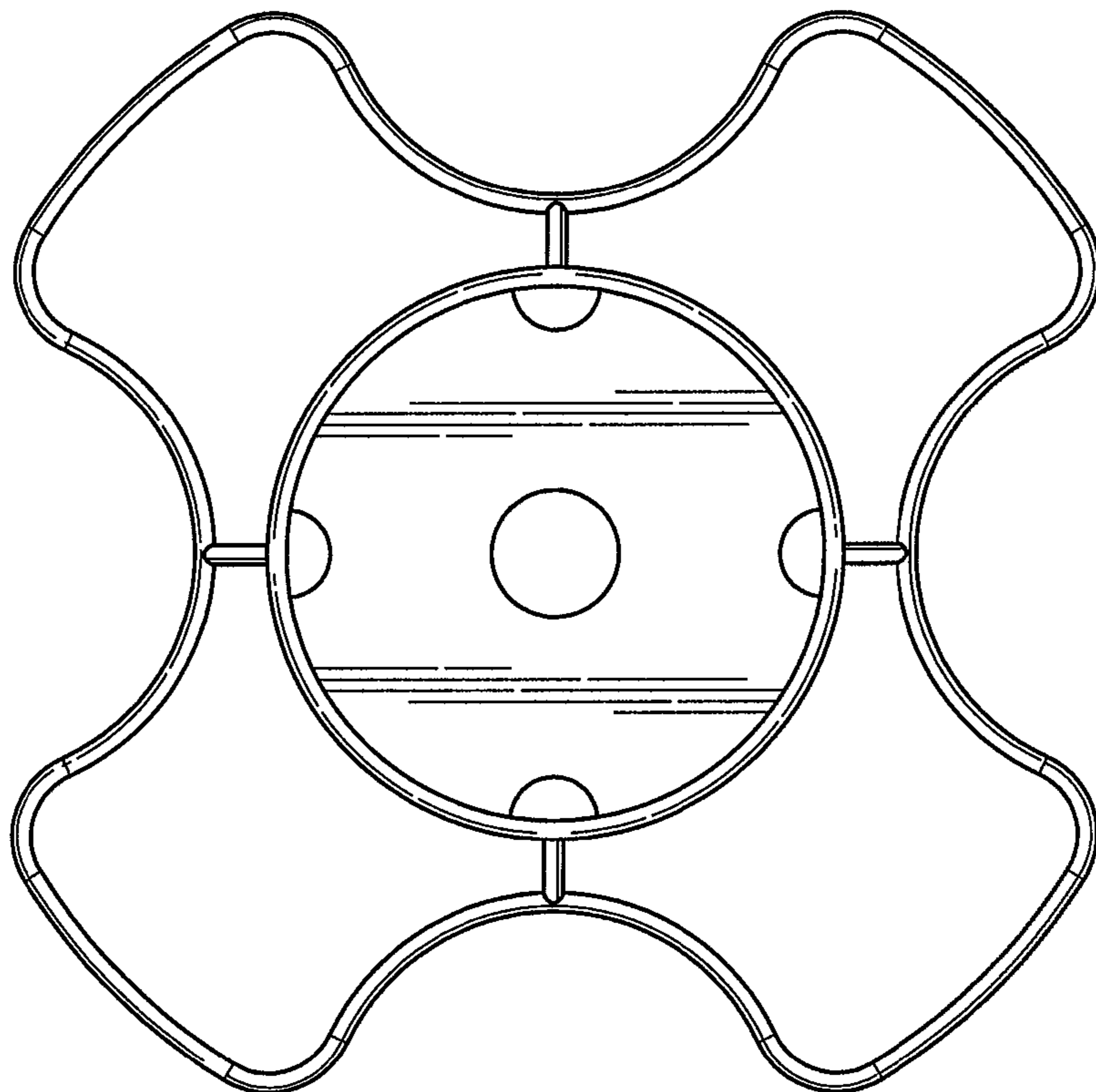


FIG. 10