



US00D646023S

(12) **United States Design Patent**
Kim

(10) **Patent No.:** **US D646,023 S**

(45) **Date of Patent:** **** Sep. 27, 2011**

(54) **HAIR IRON**

(75) Inventor: **Hae Jin Kim**, Seoul-si (KR)

(73) Assignee: **GHD Korea, Inc.**, Chungcheongnam-do (KR)

(**) Term: **14 Years**

(21) Appl. No.: **29/372,047**

(22) Filed: **Oct. 7, 2010**

(30) **Foreign Application Priority Data**

Aug. 16, 2010 (KR) 30-2010-00035574

(51) **LOC (9) Cl.** **28-03**

(52) **U.S. Cl.** **D28/35**

(58) **Field of Classification Search** D4/100,
D4/114, 133, 134, 120; 30/28, 29; D24/143,
D24/153; 132/74.5, 223, 224, 226, 228,
132/232, 233, 132, 248, 222, 251, 249, 238,
132/262, 123, 118, 121, 122, 227, 229, 237,
132/266, 285, 200; D30/158; D28/35, 9,
D28/10, 11, 12, 13, 37, 38, 73, 75, 55, 60,
D28/61, 44, 57, 58, 59; 219/222, 242, 218,
219/521, 226, 225, 229; D8/52; D32/35;
D7/686; D6/567, 608, 583; D3/205; 206/349

See application file for complete search history.

(56) **References Cited**

U.S. PATENT DOCUMENTS

2,454,558	A *	11/1948	Kleinsmith	132/238
3,859,497	A *	1/1975	McNair	219/225
D240,339	S *	6/1976	Benty	D28/13
D276,086	S *	10/1984	Ernest et al.	D28/35
4,479,047	A *	10/1984	Khaja et al.	219/225
4,520,256	A *	5/1985	Doyle	219/225
4,803,341	A *	2/1989	Barowski et al.	219/222
D450,154	S *	11/2001	Amante	D28/35
D455,861	S *	4/2002	McCurrach	D28/35
6,554,000	B2 *	4/2003	Lin	132/232
D515,241	S *	2/2006	Cafaro	D28/35

* cited by examiner

Primary Examiner — Cathron Brooks

Assistant Examiner — Kevin Rudzinski

(74) *Attorney, Agent, or Firm* — Hoffmann & Baron, LLP

(57) **CLAIM**

The ornamental design for a hair iron, as shown and described.

DESCRIPTION

FIG. 1 is a top perspective view of a hair iron showing my new design;

FIG. 2 is a right side elevation view thereof;

FIG. 3 is a left side elevation view thereof;

FIG. 4 is a front elevation view thereof;

FIG. 5 is a rear elevation view thereof;

FIG. 6 is a top plan view thereof; and,

FIG. 7 is a bottom plan view thereof.

The broken lines shown in the drawings illustrate portions of the hair iron and form no part of the claimed design.

1 Claim, 4 Drawing Sheets

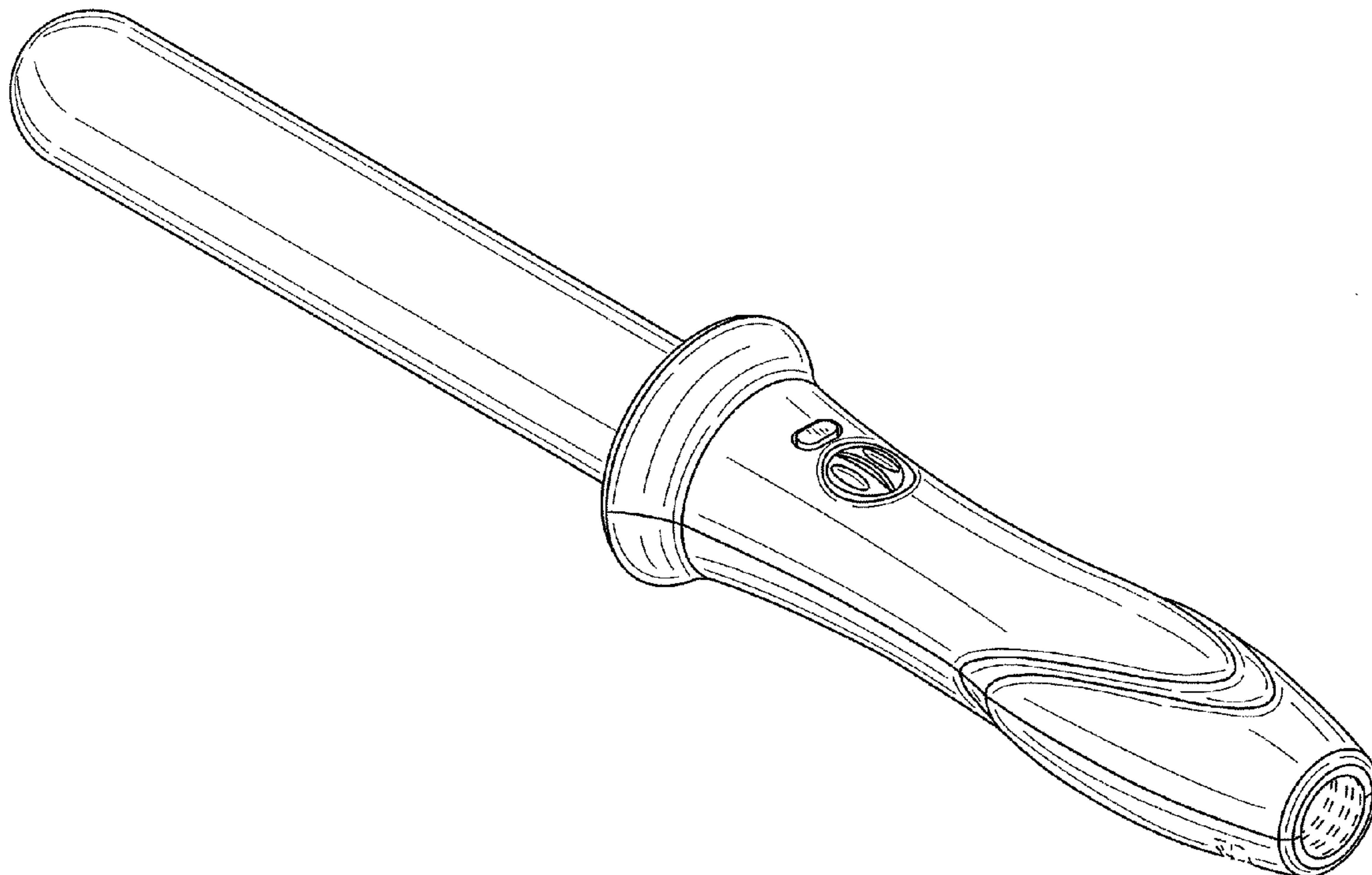
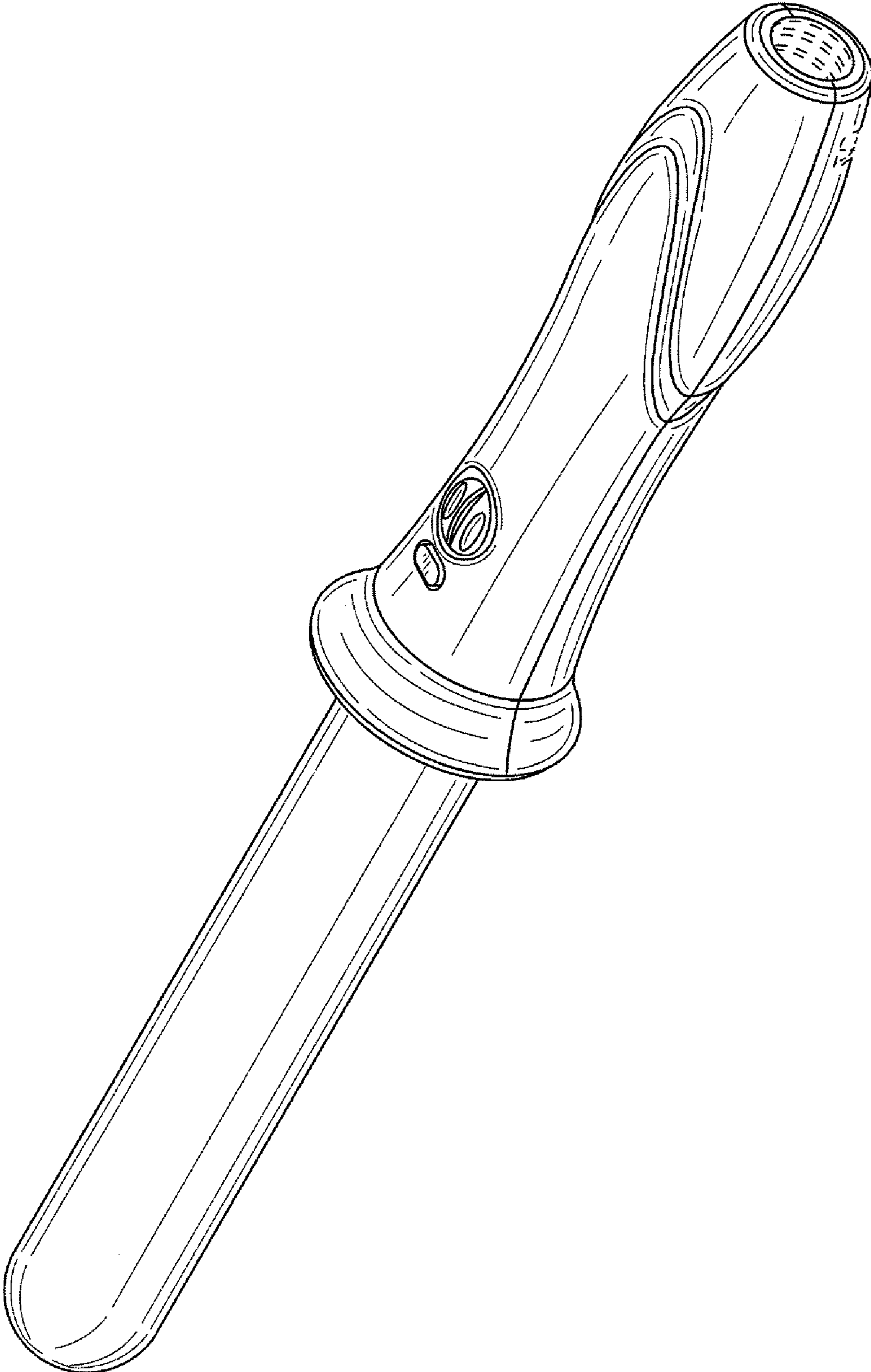


FIG. 1



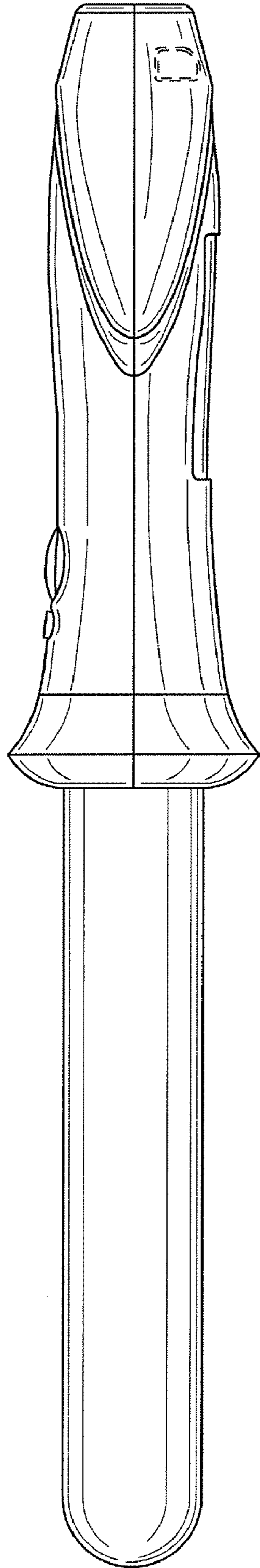


FIG. 2

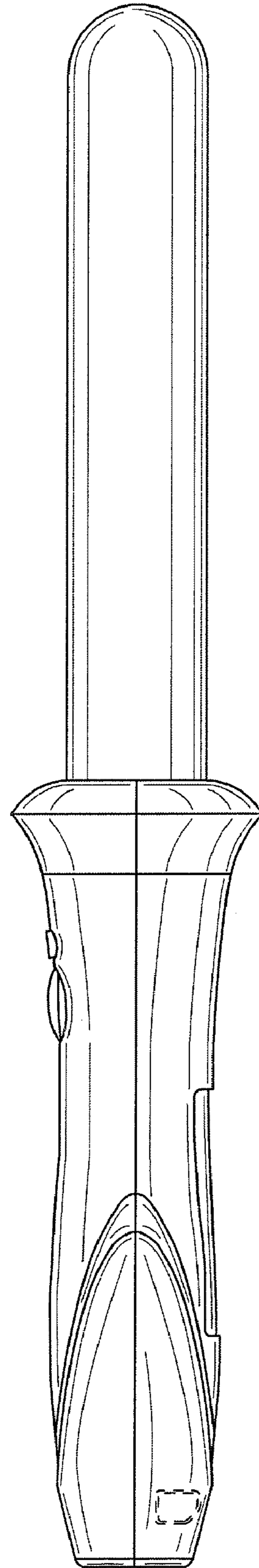


FIG. 3

FIG. 5

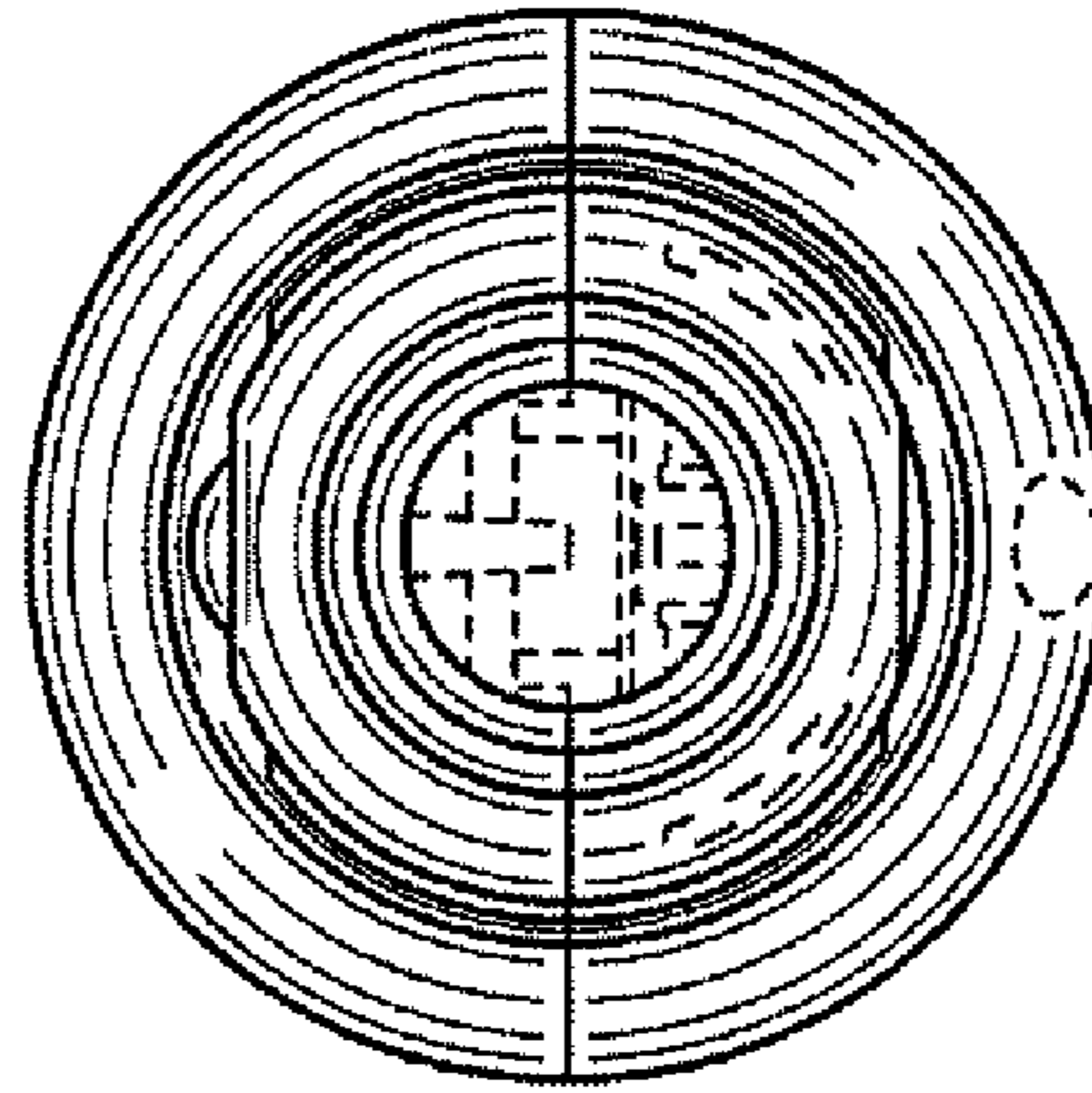
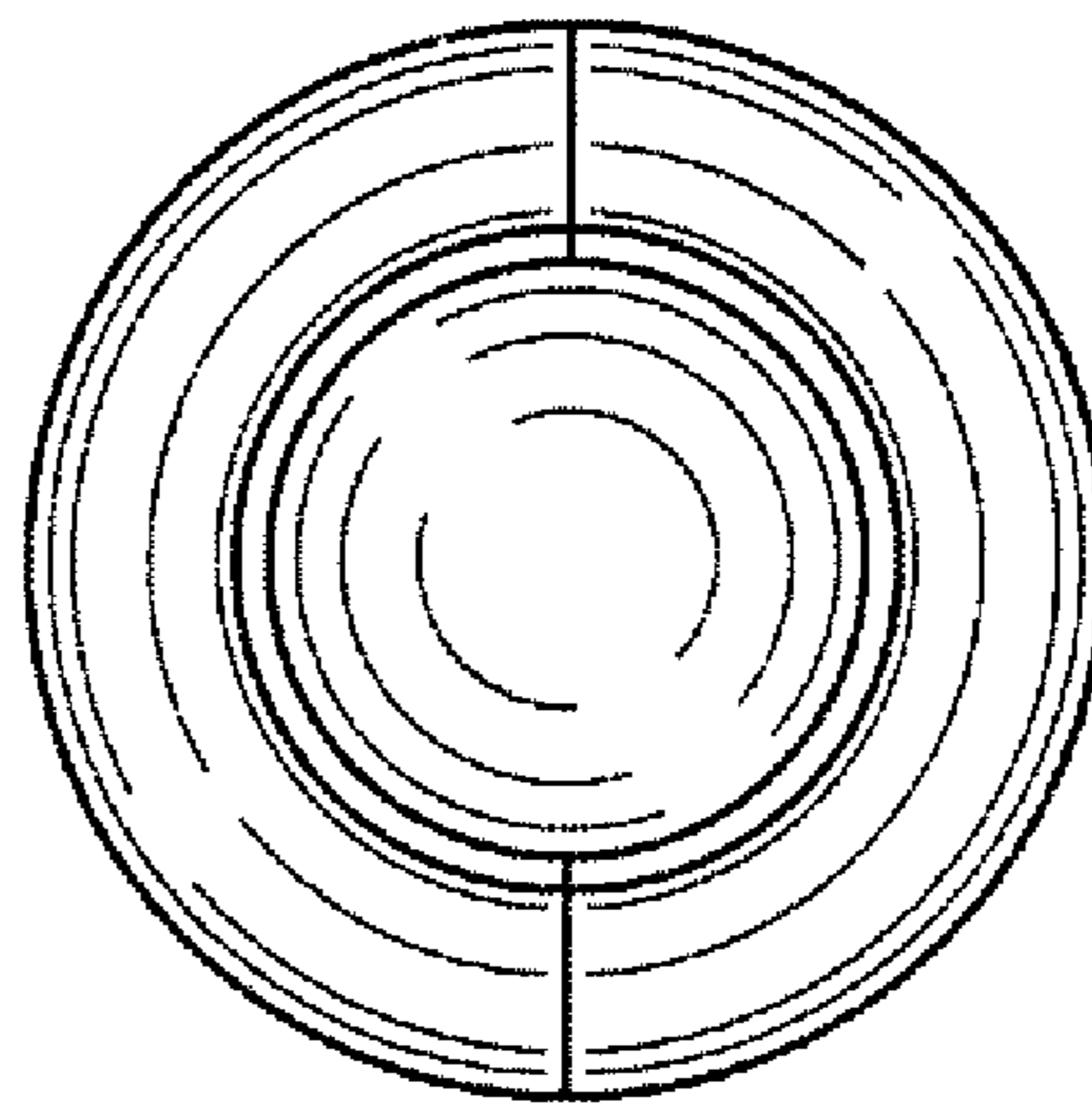


FIG. 4



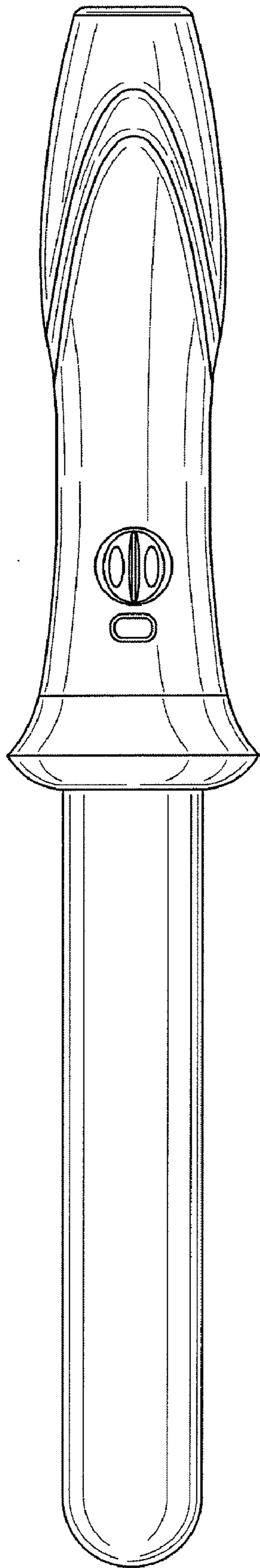


FIG. 6

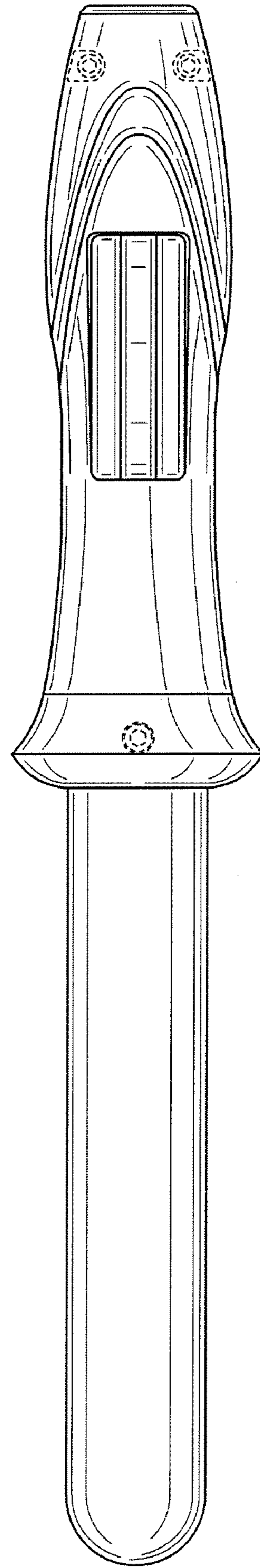


FIG. 7