



US00D646016S

(12) **United States Design Patent**  
**Choi et al.**

(10) **Patent No.:** **US D646,016 S**

(45) **Date of Patent:** **\*\* Sep. 27, 2011**

(54) **LED LAMP**

(75) Inventors: **Tae Young Choi**, Seoul (KR); **Kyung Il Kong**, Seoul (KR); **Han Gyoul Kim**, Seoul (KR); **Hwa Young Kim**, Seoul (KR); **Seok Jin Kang**, Seoul (KR)

(73) Assignee: **LG Innotek**, Seoul (KR)

(\*\*) Term: **14 Years**

(21) Appl. No.: **29/360,120**

(22) Filed: **Apr. 20, 2010**

(30) **Foreign Application Priority Data**

Oct. 20, 2009 (KR) ..... 30-2009-0046256  
Apr. 7, 2010 (KR) ..... 30-2010-0015150

(51) **LOC (9) Cl.** ..... **26-99**

(52) **U.S. Cl.** ..... **D26/138**

(58) **Field of Classification Search** ..... D26/2,  
D26/118, 120, 129, 138, 63, 65, 128, 154,  
D26/28, 119, 155, 142, 121, 122, 152, 123,  
D26/124, 153, 130, 141, 92, 87, 93, 85, 145;  
D11/89, 90, 91, 92; 273/153 S, 160; 362/223,  
362/544, 240, 545; D9/529; D21/478, 479;  
D34/1; D7/509, 586; D13/134, 179, 180  
See application file for complete search history.

(56) **References Cited**

**U.S. PATENT DOCUMENTS**

3,538,321 A \* 11/1970 Keller et al. .... 362/289  
4,023,035 A \* 5/1977 Rodriguez ..... 250/239  
4,503,360 A \* 3/1985 Bedel ..... 315/112

6,155,701 A \* 12/2000 Leen ..... 362/432  
6,994,457 B2 \* 2/2006 Lee ..... 362/366  
7,111,963 B2 \* 9/2006 Zhang ..... 362/294  
7,220,024 B1 \* 5/2007 Berends ..... 362/217.08  
7,244,051 B2 \* 7/2007 Bewig et al. .... 362/345  
D585,588 S \* 1/2009 Alexander et al. .... D26/118  
D591,894 S \* 5/2009 Flank ..... D26/74  
2007/0091597 A1 \* 4/2007 Wang et al. .... 362/231  
2007/0279862 A1 \* 12/2007 Li ..... 361/692  
2009/0237891 A1 \* 9/2009 Liu et al. .... 361/714

\* cited by examiner

*Primary Examiner* — Cathron Brooks

*Assistant Examiner* — Kevin Rudzinski

(74) *Attorney, Agent, or Firm* — McKenna Long & Aldridge LLP

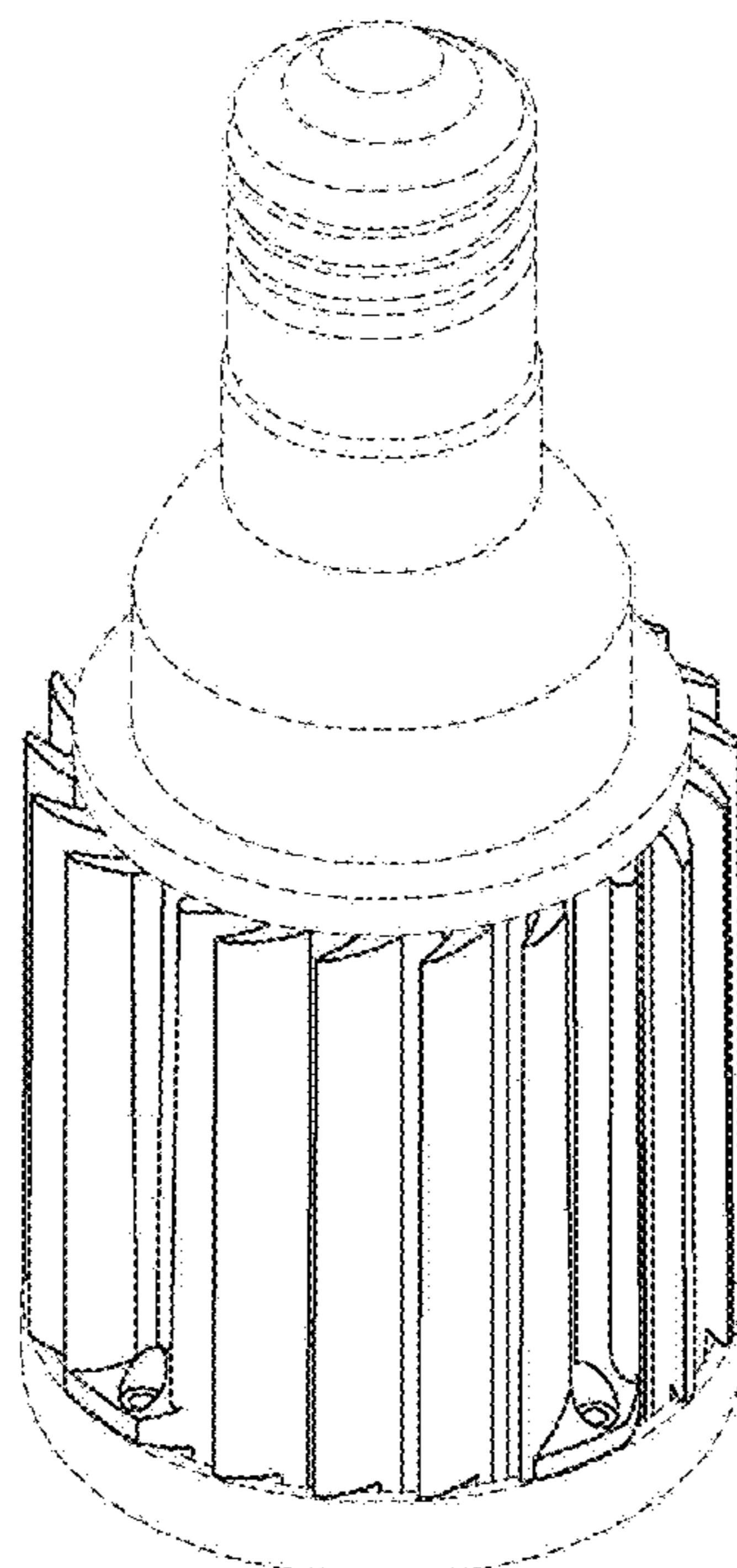
(57) **CLAIM**

The ornamental design for an LED lamp, as shown and described.

**DESCRIPTION**

FIG. 1 is a top front perspective view of an LED lamp showing my new design;  
FIG. 2 is a front elevational view thereof;  
FIG. 3 is a rear elevational view thereof;  
FIG. 4 is a left side elevational view thereof;  
FIG. 5 is a right side elevational view thereof;  
FIG. 6 is a top plan view thereof;  
FIG. 7 is a bottom plan view thereof;  
FIG. 8 is a reduced bottom front perspective view thereof; and  
FIG. 9 is a reduced exploded view thereof.  
The broken line showing of FIGS. 1-9 is for the purpose of illustrating environmental structure and forms no part of the claimed design.

**1 Claim, 9 Drawing Sheets**



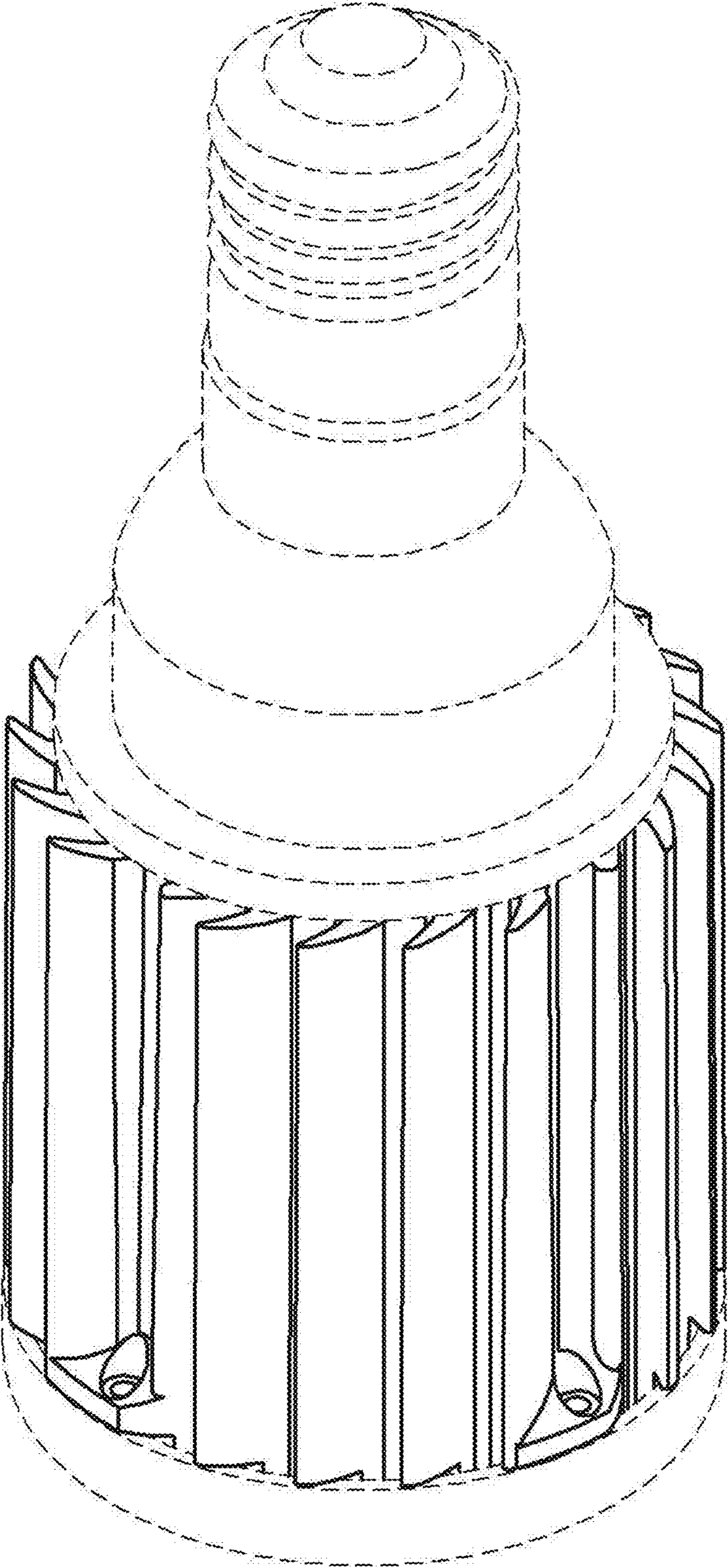


FIG. 1

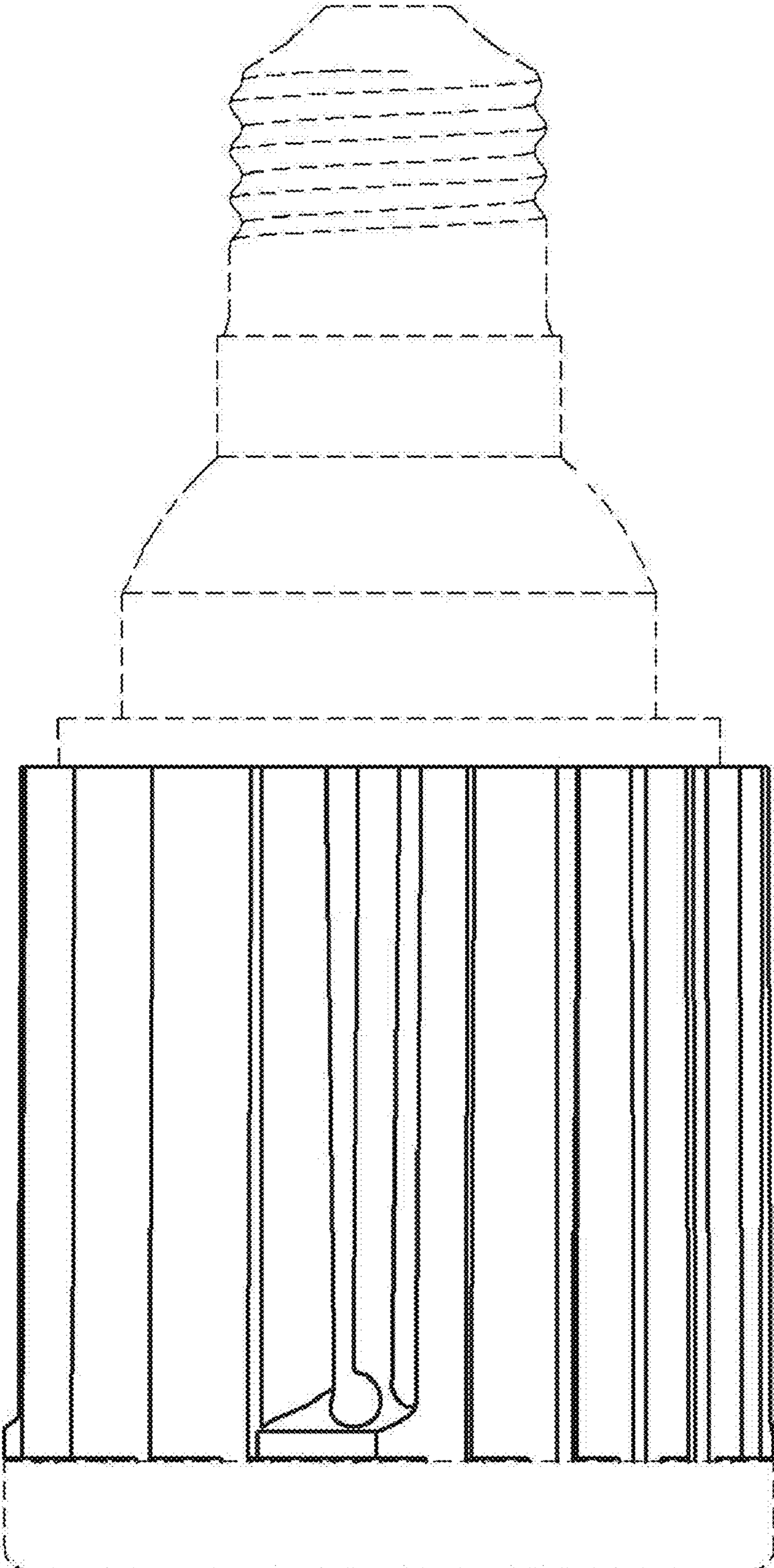


FIG. 2

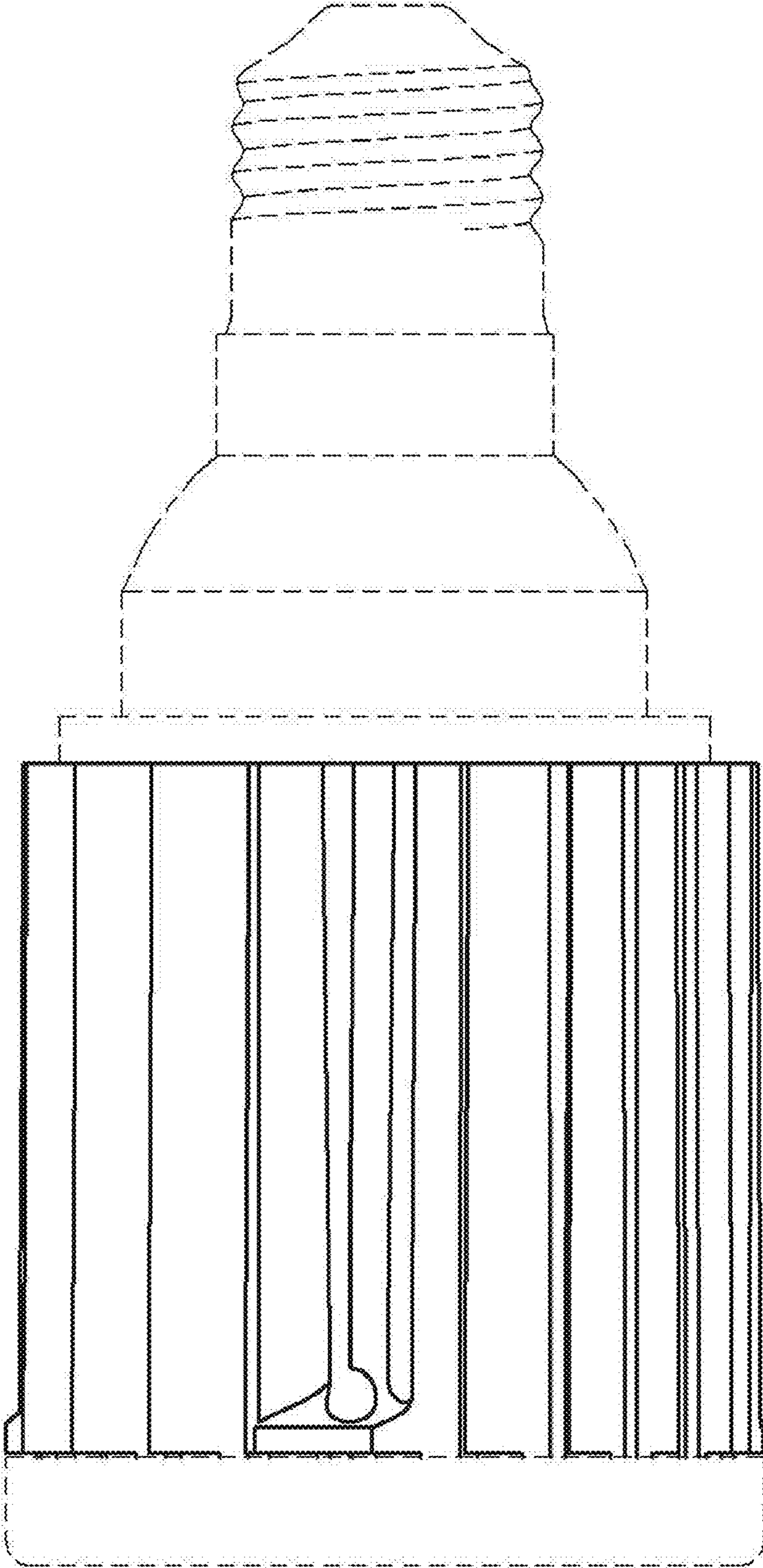


FIG. 3

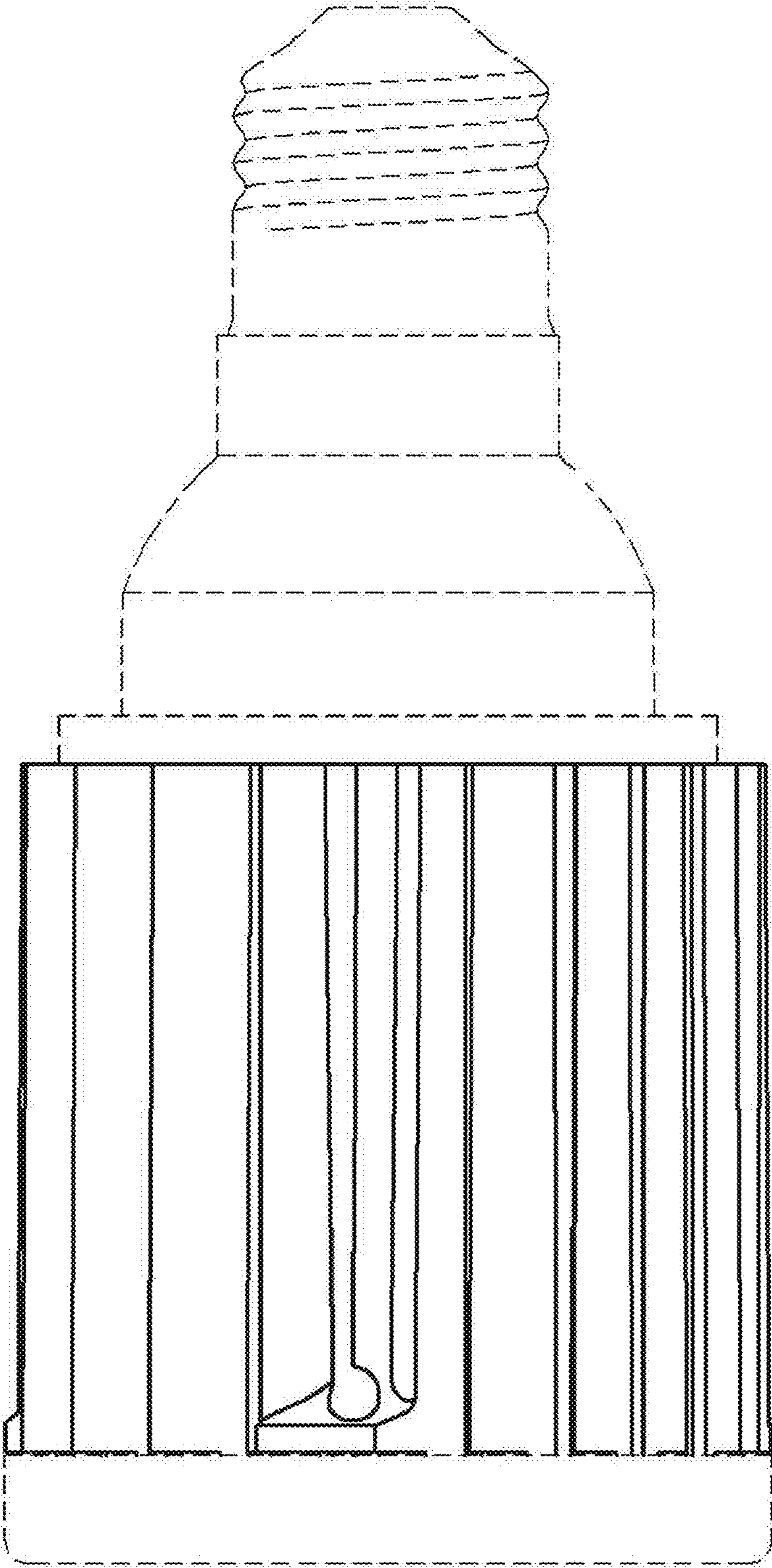


FIG. 4

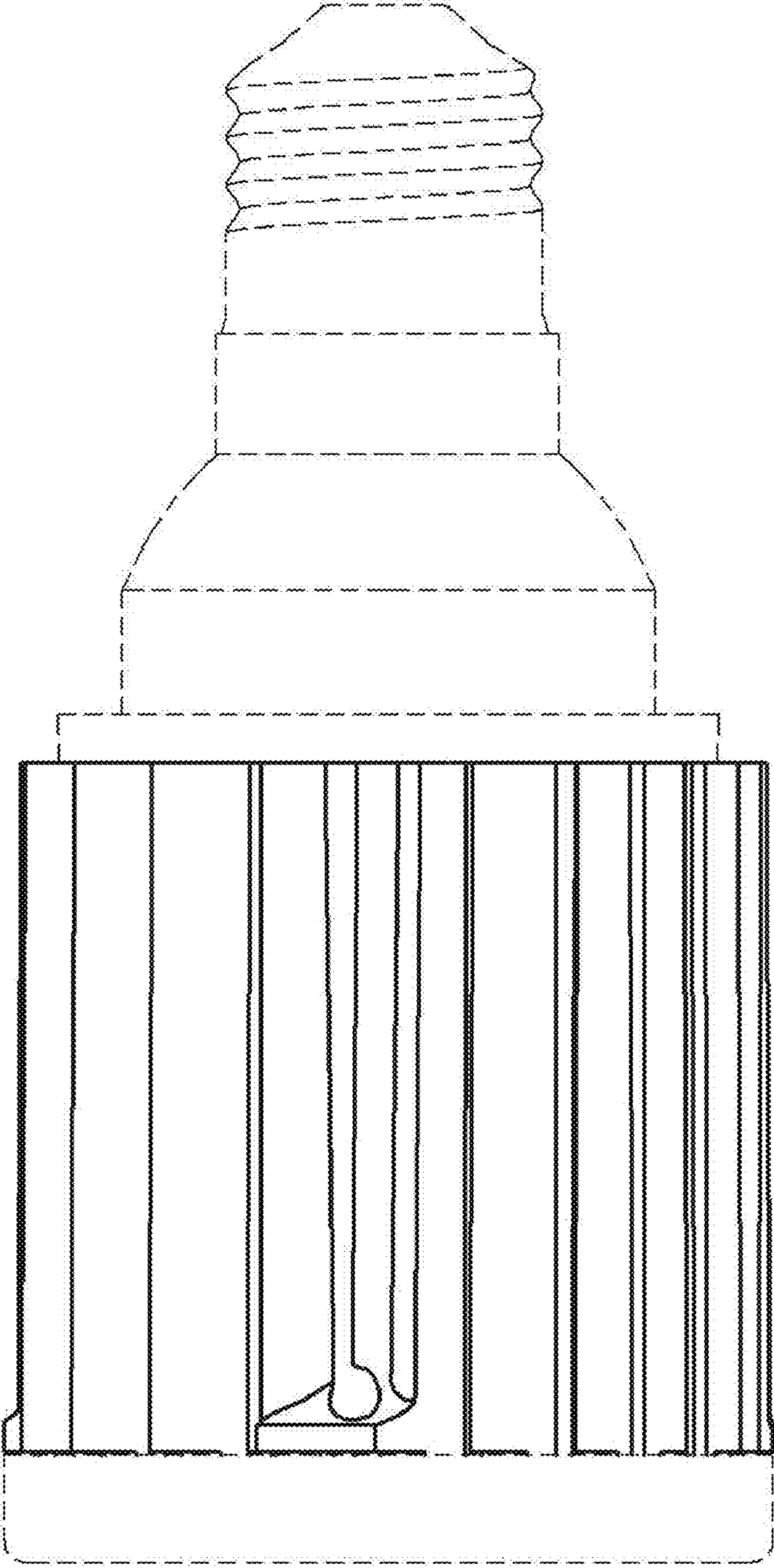


FIG. 5

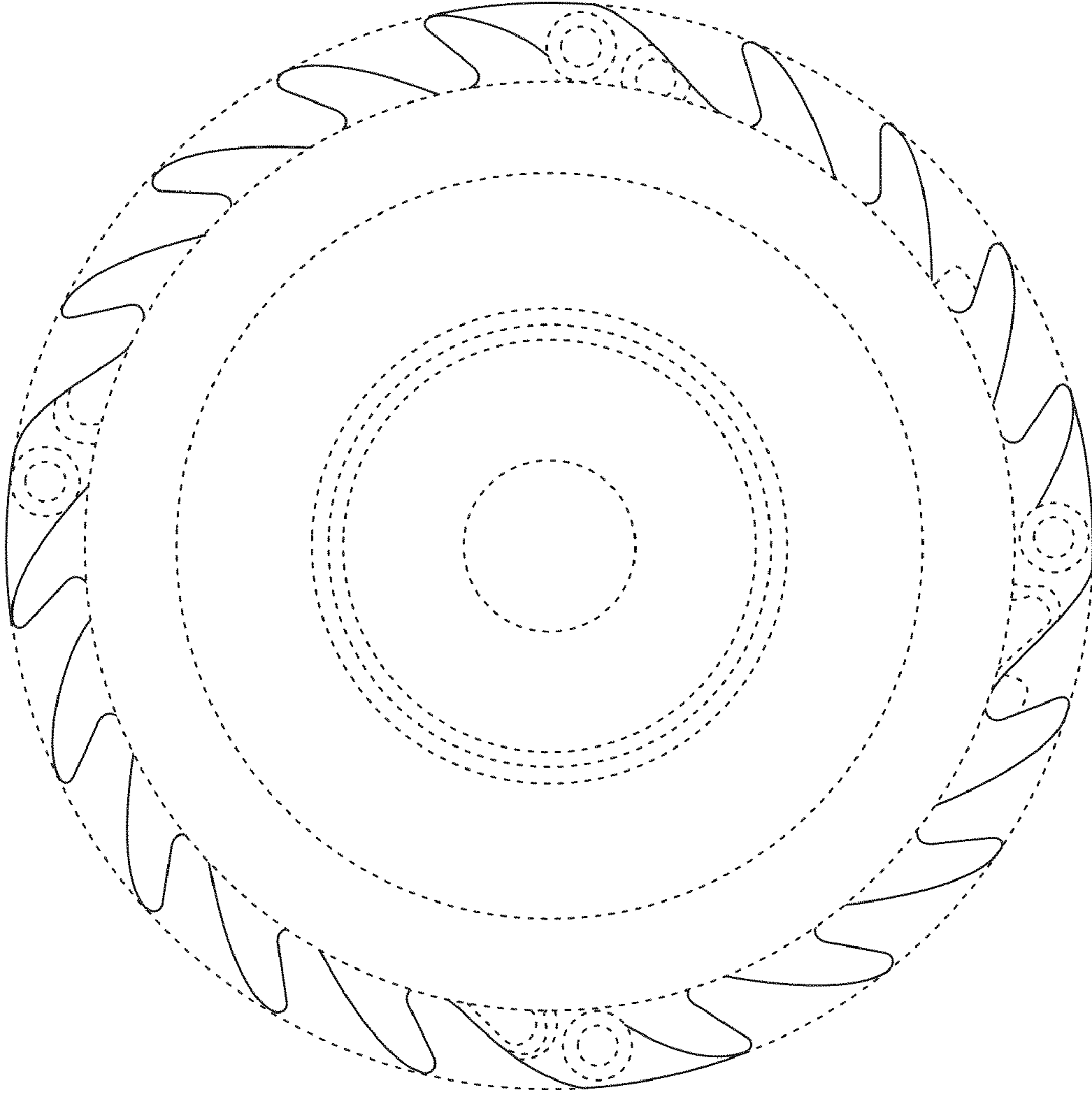


FIG. 6

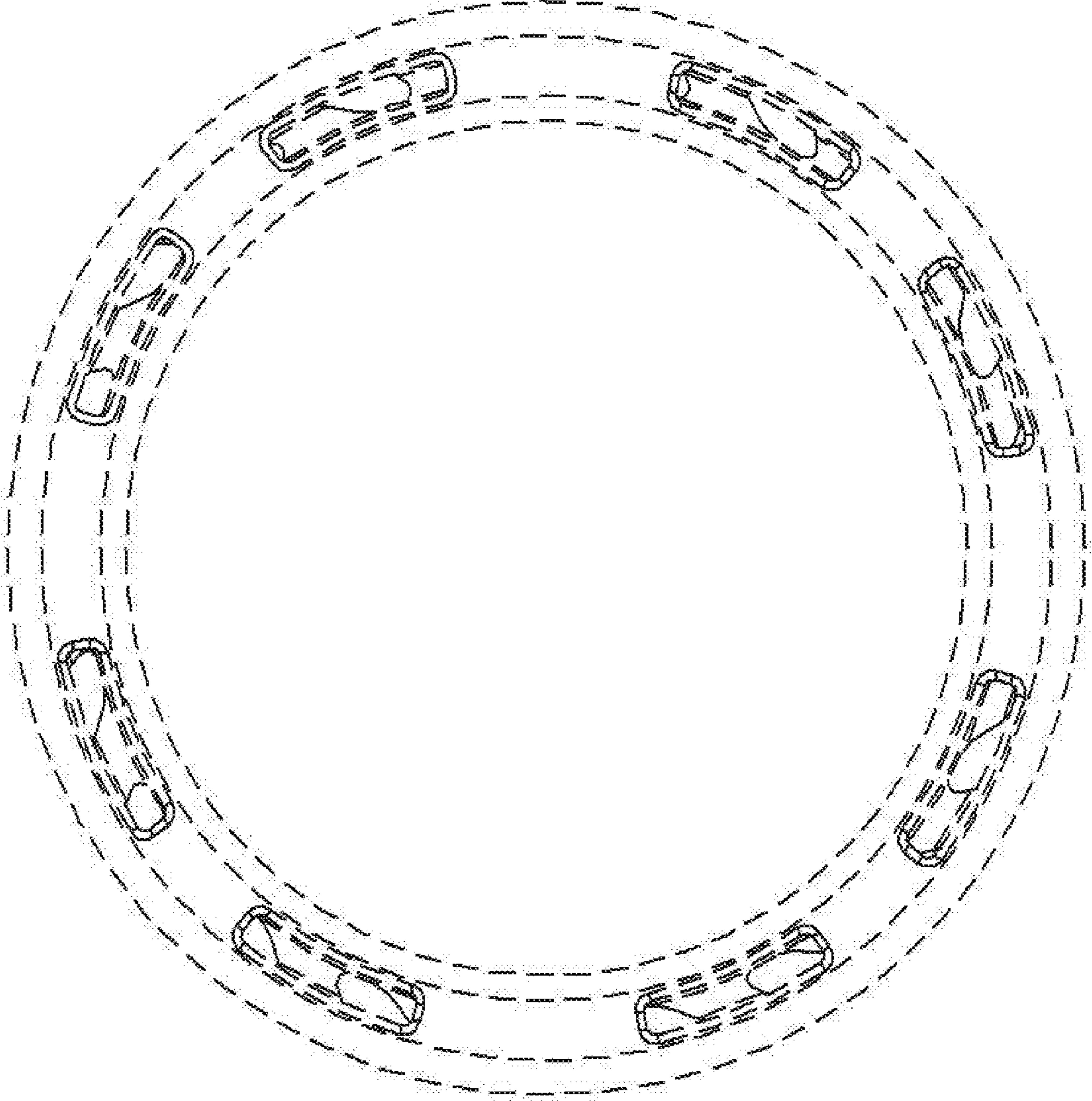


FIG. 7



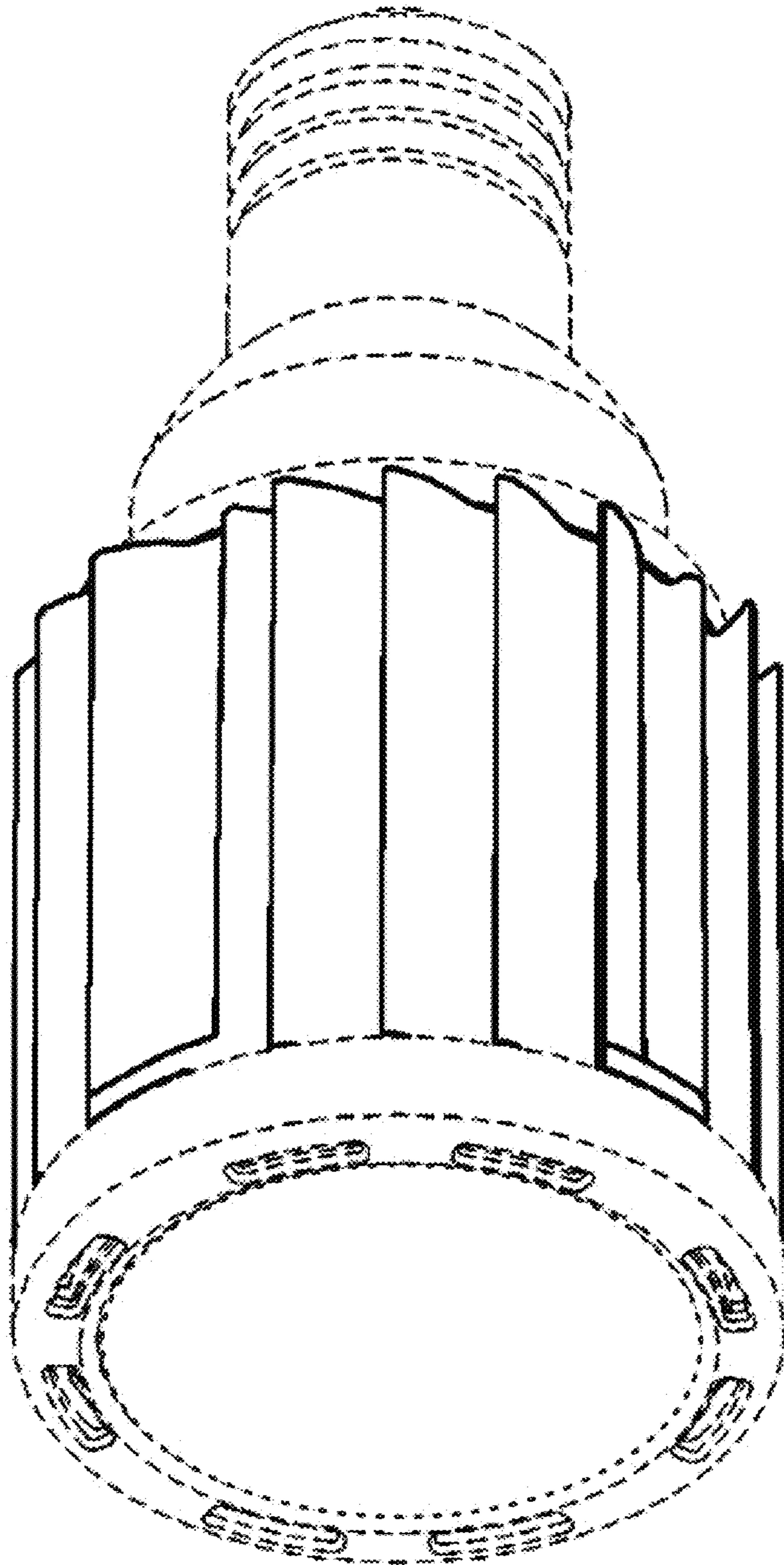


FIG. 8

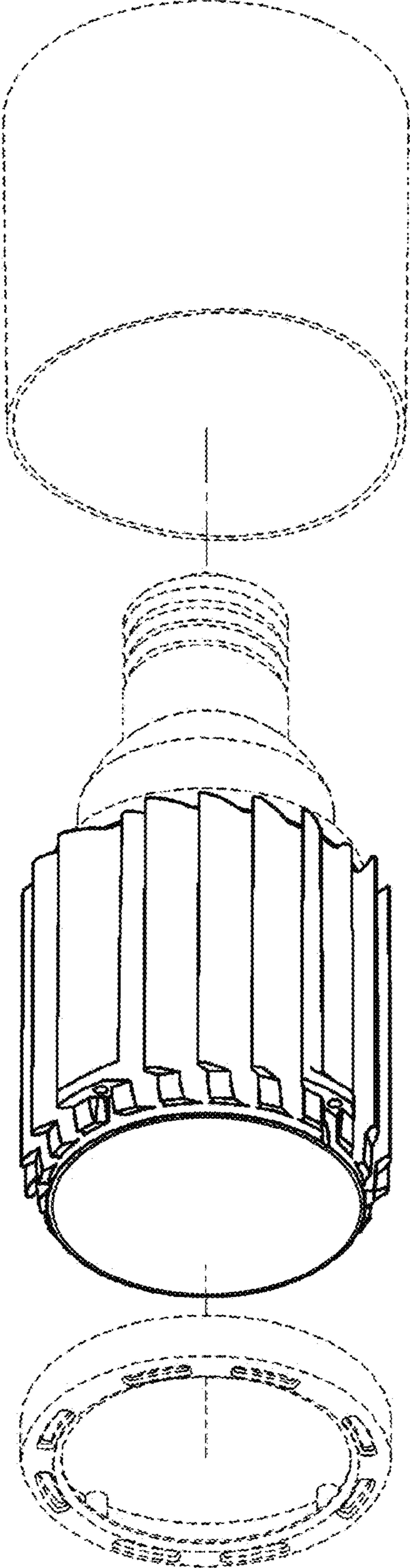


FIG. 9