



US00D646011S

(12) **United States Design Patent**
Rashidi

(10) **Patent No.:** **US D646,011 S**

(45) **Date of Patent:** **** Sep. 27, 2011**

- (54) **LED LIGHT WITH BAFFLE TRIM**
- (76) Inventor: **Hamid Rashidi**, Beverly Hills, CA (US)
- (**) Term: **14 Years**
- (21) Appl. No.: **29/370,506**
- (22) Filed: **Jul. 27, 2010**
- (51) **LOC (9) Cl.** **26-05**
- (52) **U.S. Cl.** **D26/74**
- (58) **Field of Classification Search** D26/24,
D26/72, 74, 80, 81, 83, 85, 88, 61, 63, 118;
362/576, 89, 145, 147, 148, 150, 151, 152,
362/153, 153.1, 294, 296.01, 311.02, 311.07,
362/364, 365, 366, 373
See application file for complete search history.

D631,588 S *	1/2011	Bergmann et al.	D26/63
2010/0039829 A1 *	2/2010	Tsai	362/373
2010/0061108 A1 *	3/2010	Zhang et al.	362/364
2010/0195327 A1 *	8/2010	Inoue et al.	362/235

* cited by examiner

Primary Examiner — Angela J Lee
 (74) *Attorney, Agent, or Firm* — Thomas I. Rozsa

(57) **CLAIM**
 The ornamental design for a LED light with baffle trim, as shown and described.

DESCRIPTION

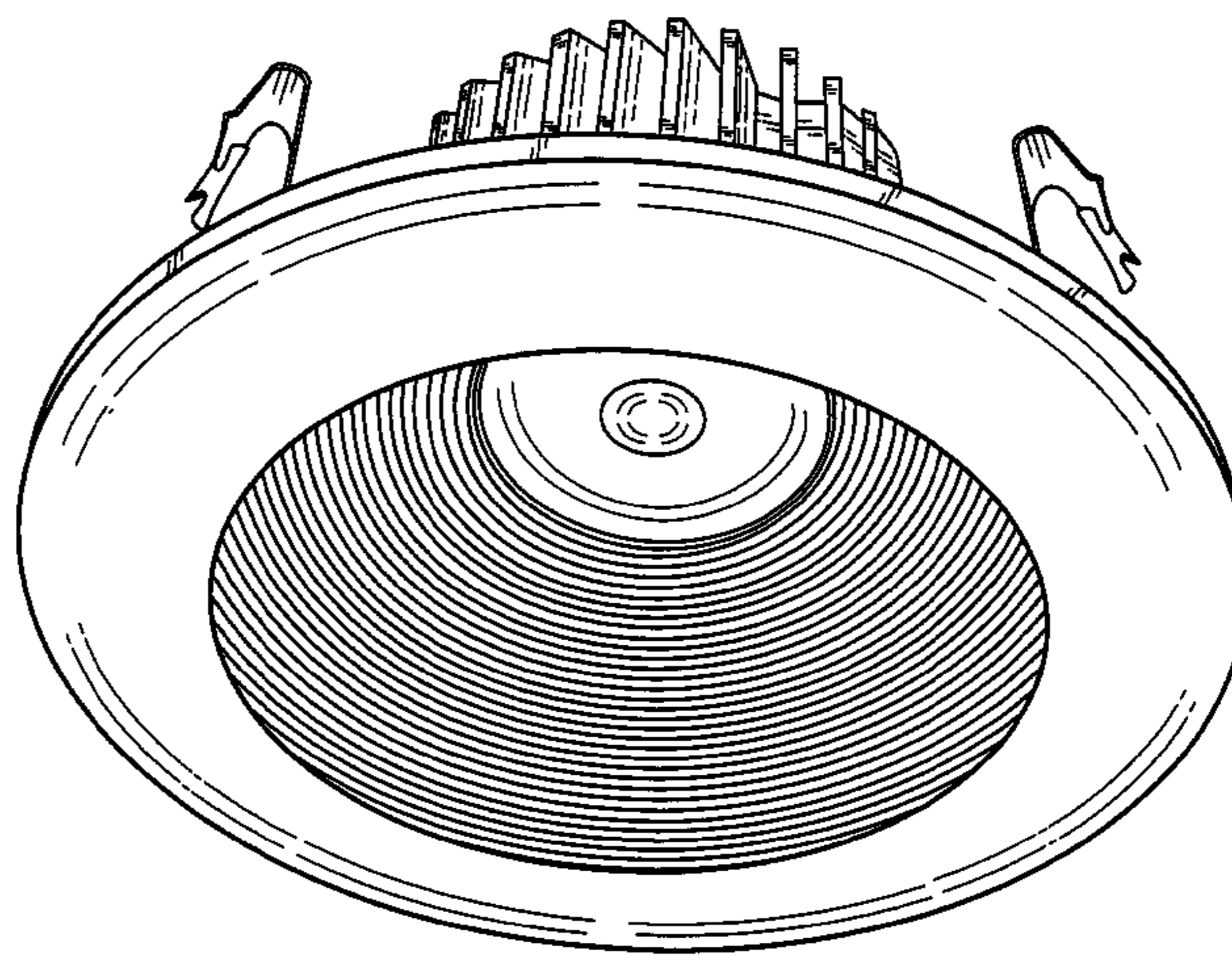
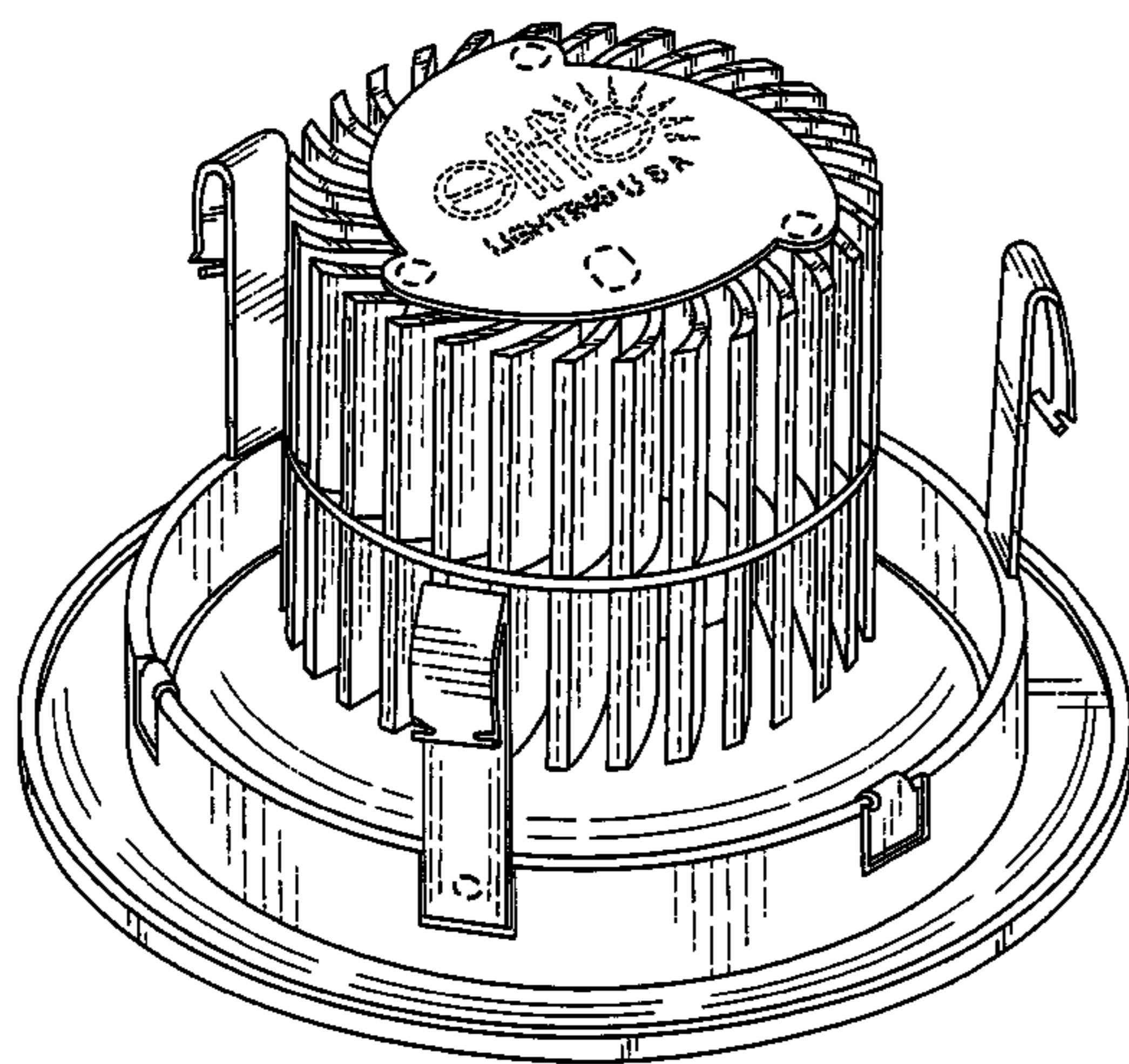
FIG. 1 is a side perspective view of the LED light with baffle trim, showing my design;
 FIG. 2 is a right side view thereof;
 FIG. 3 is a left side view thereof;
 FIG. 4 is a front view thereof;
 FIG. 5 is a rear view thereof;
 FIG. 6 is a top view thereof;
 FIG. 7 is a bottom view thereof; and,
 FIG. 8 is a bottom perspective view thereof.
 The portions of the LED light with baffle trim shown in broken lines form no part of the claimed design.

1 Claim, 8 Drawing Sheets

(56) **References Cited**

U.S. PATENT DOCUMENTS

D326,537 S *	5/1992	Gattari	D26/74
D573,294 S *	7/2008	Chan et al.	D26/74
D591,894 S *	5/2009	Flank	D26/74
D595,005 S *	6/2009	Chou	D26/74
D610,289 S *	2/2010	Yoshinobu et al.	D26/74
D610,290 S *	2/2010	Yoshinobu et al.	D26/74
D610,291 S *	2/2010	Yoshinobu et al.	D26/74
7,670,021 B2 *	3/2010	Chou	362/148
D624,691 S *	9/2010	Zhang et al.	D26/138



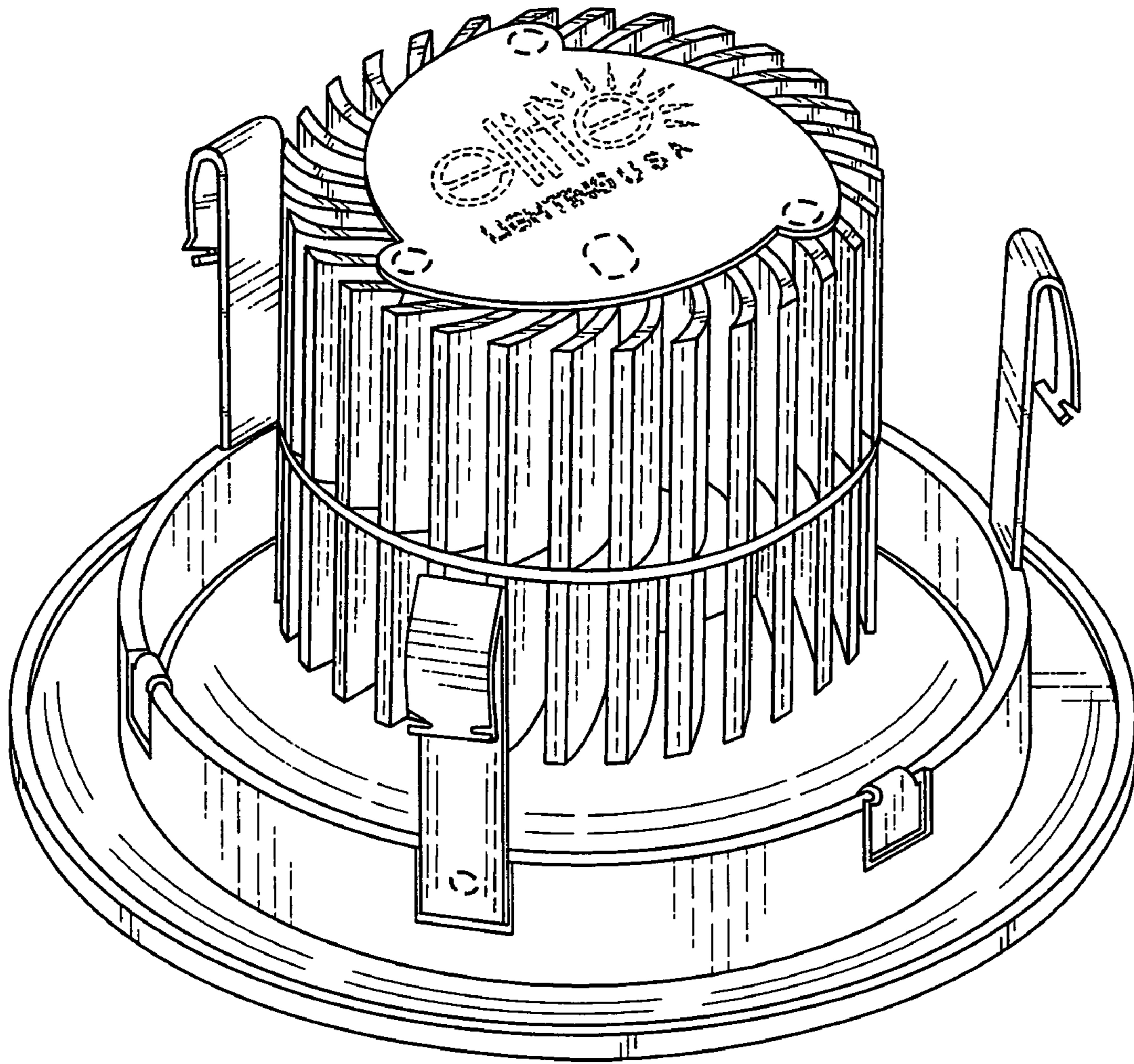


FIG. 1

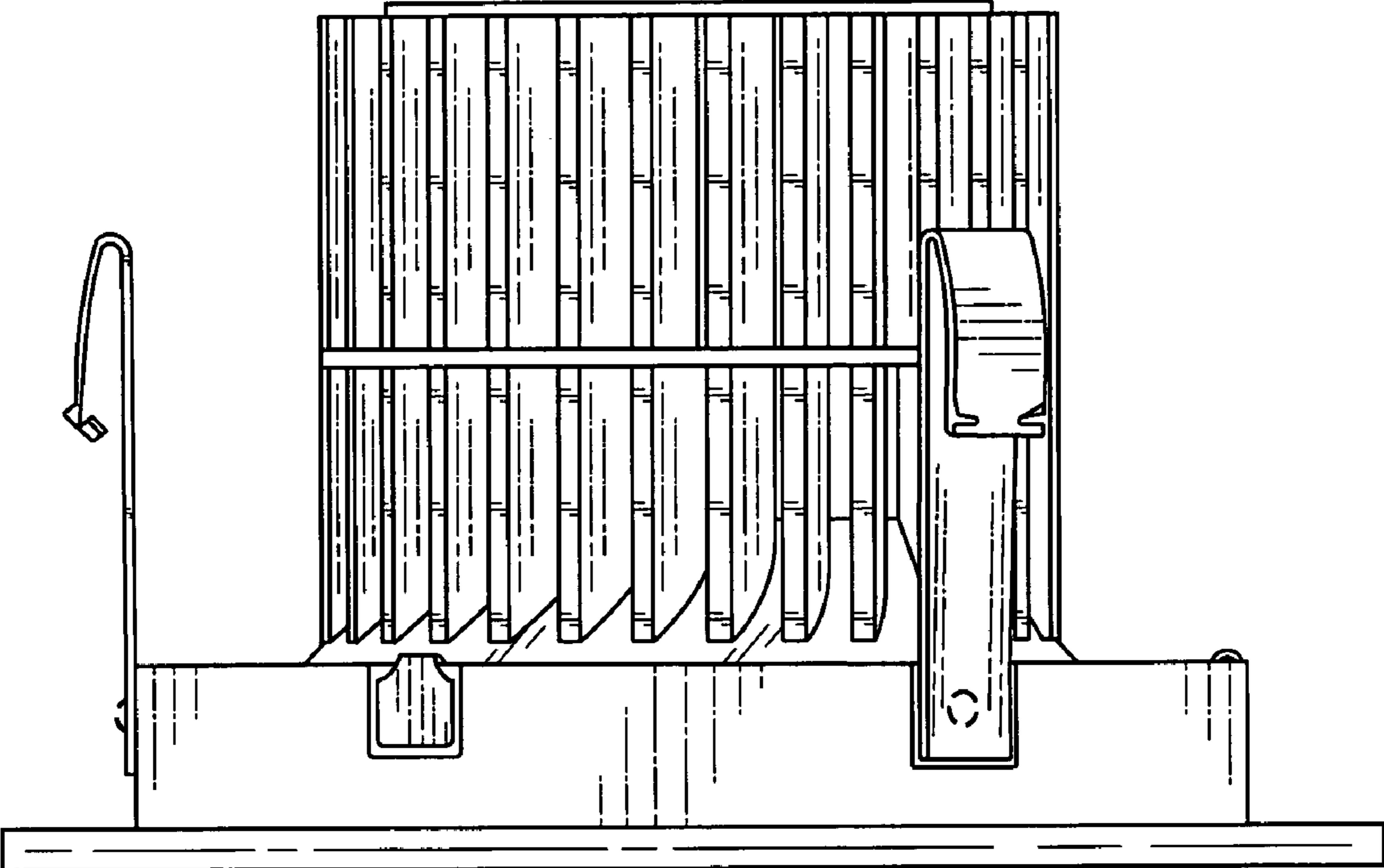


FIG. 2

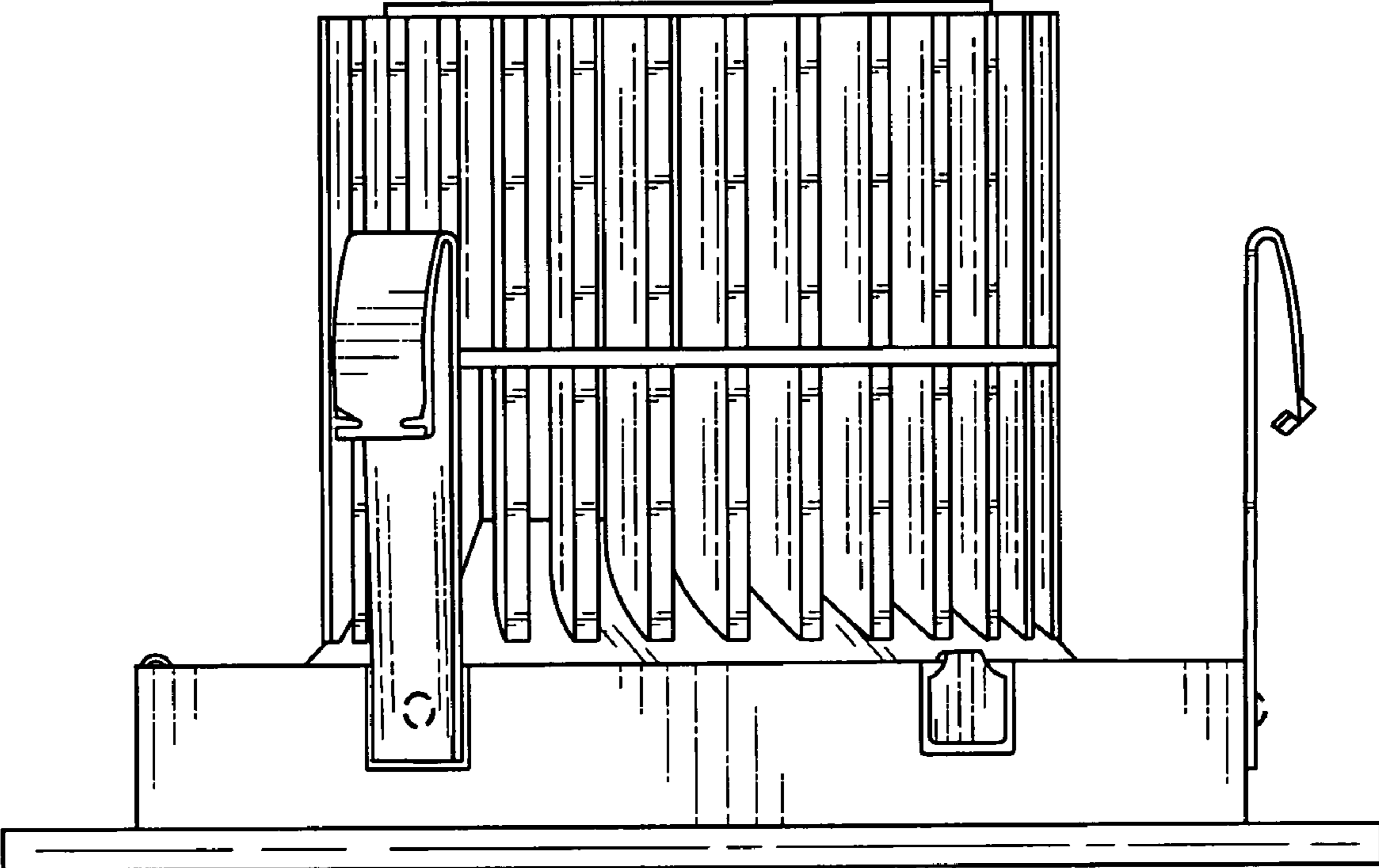


FIG. 3

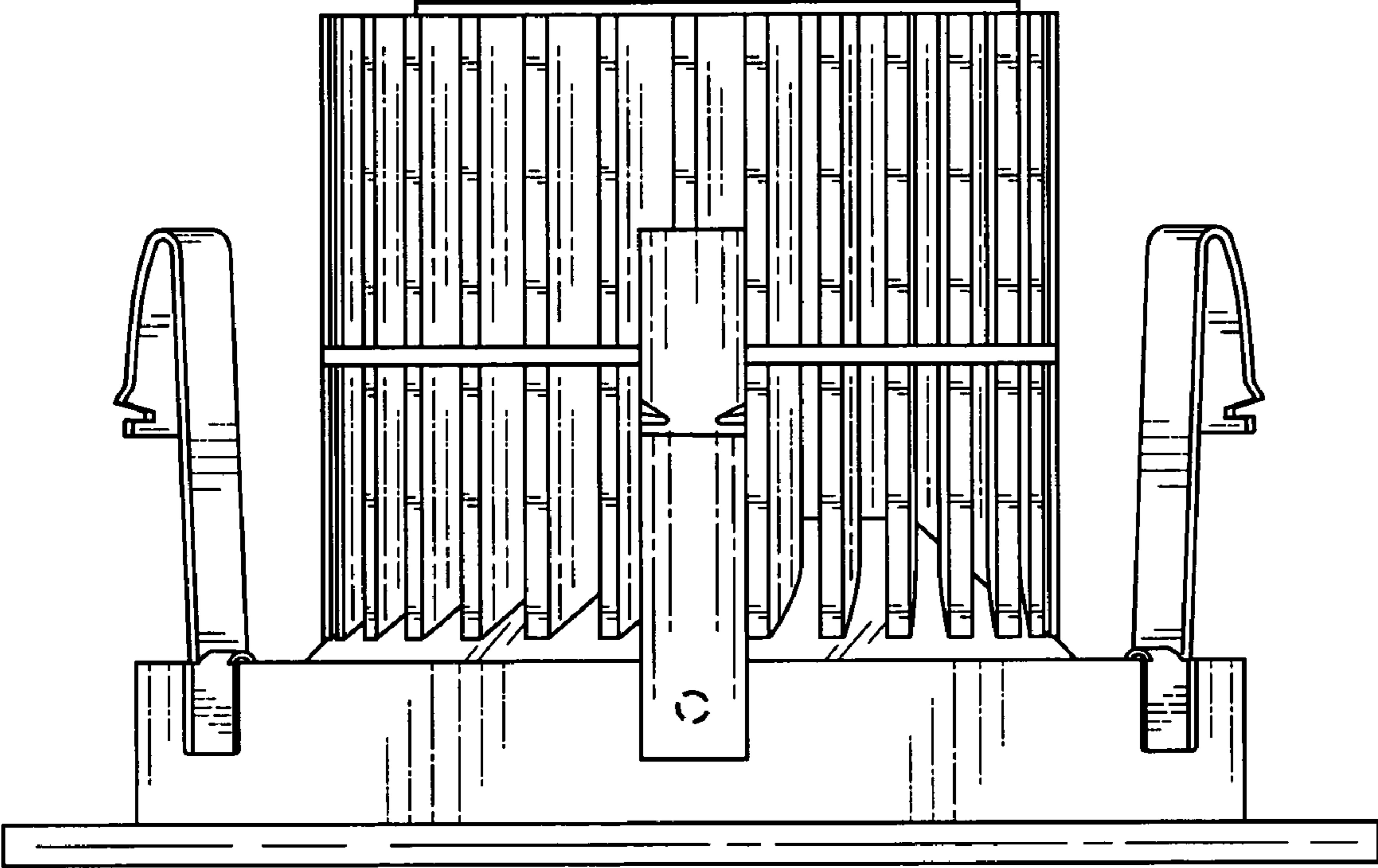


FIG. 4

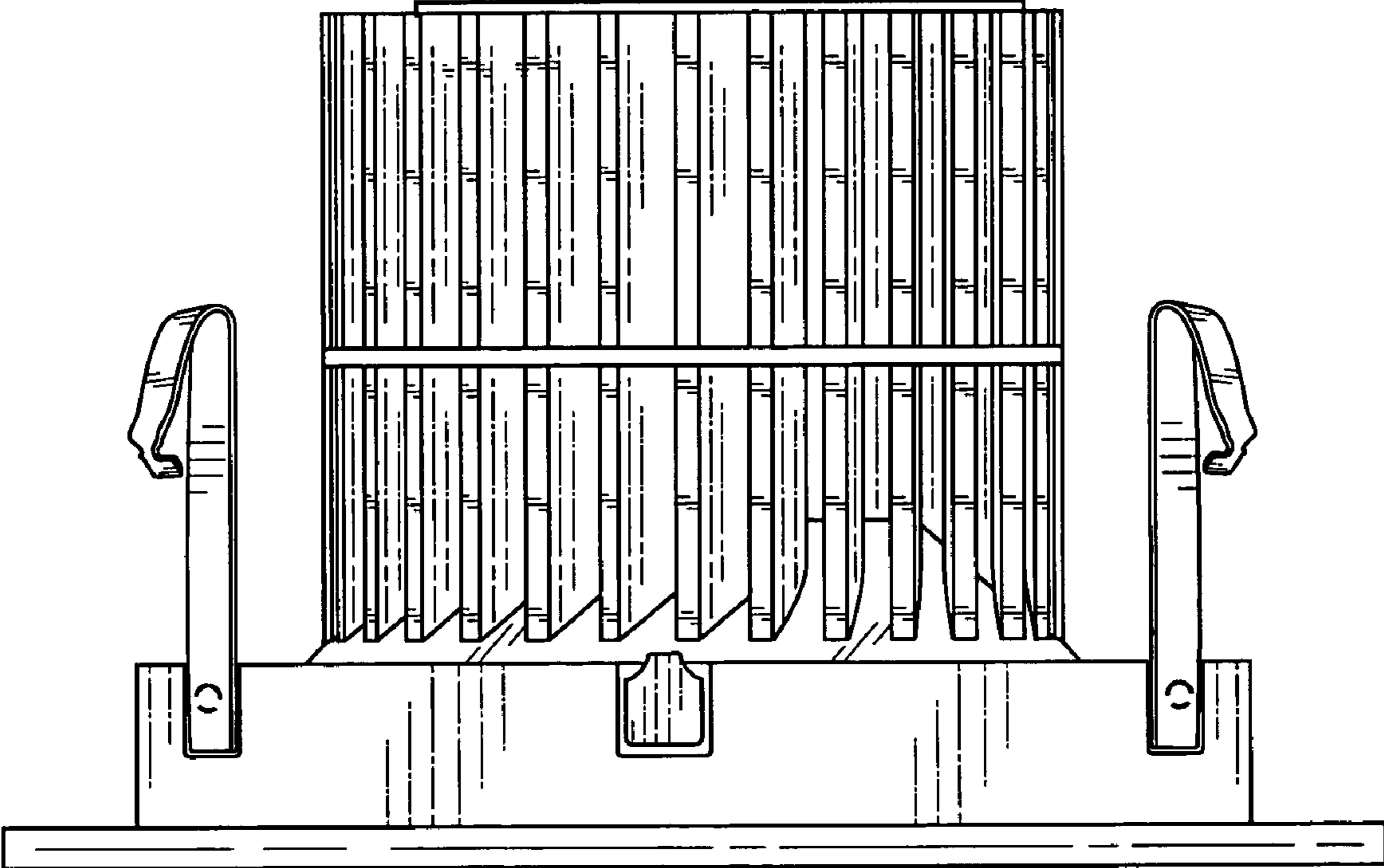


FIG. 5

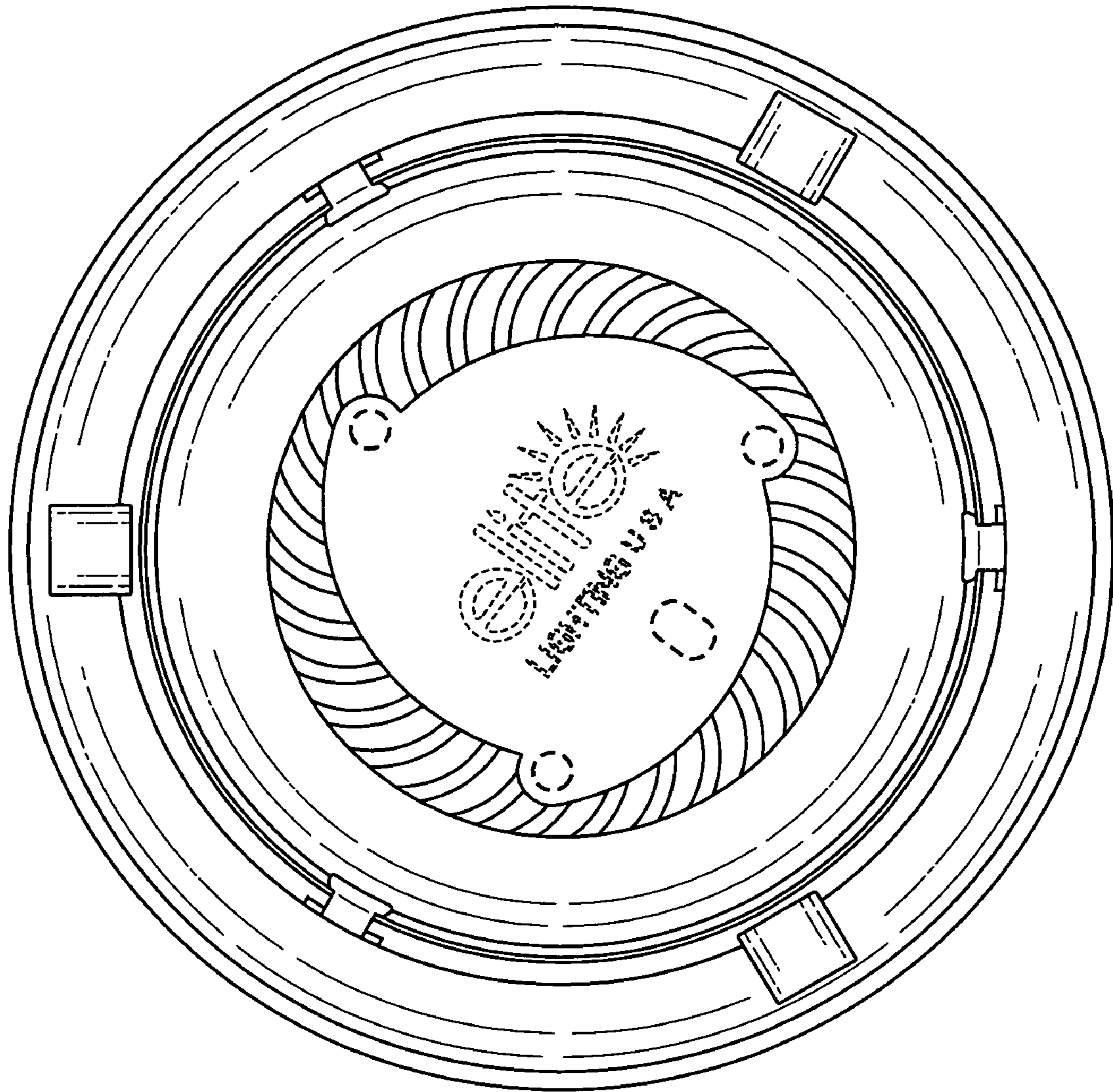


FIG. 6

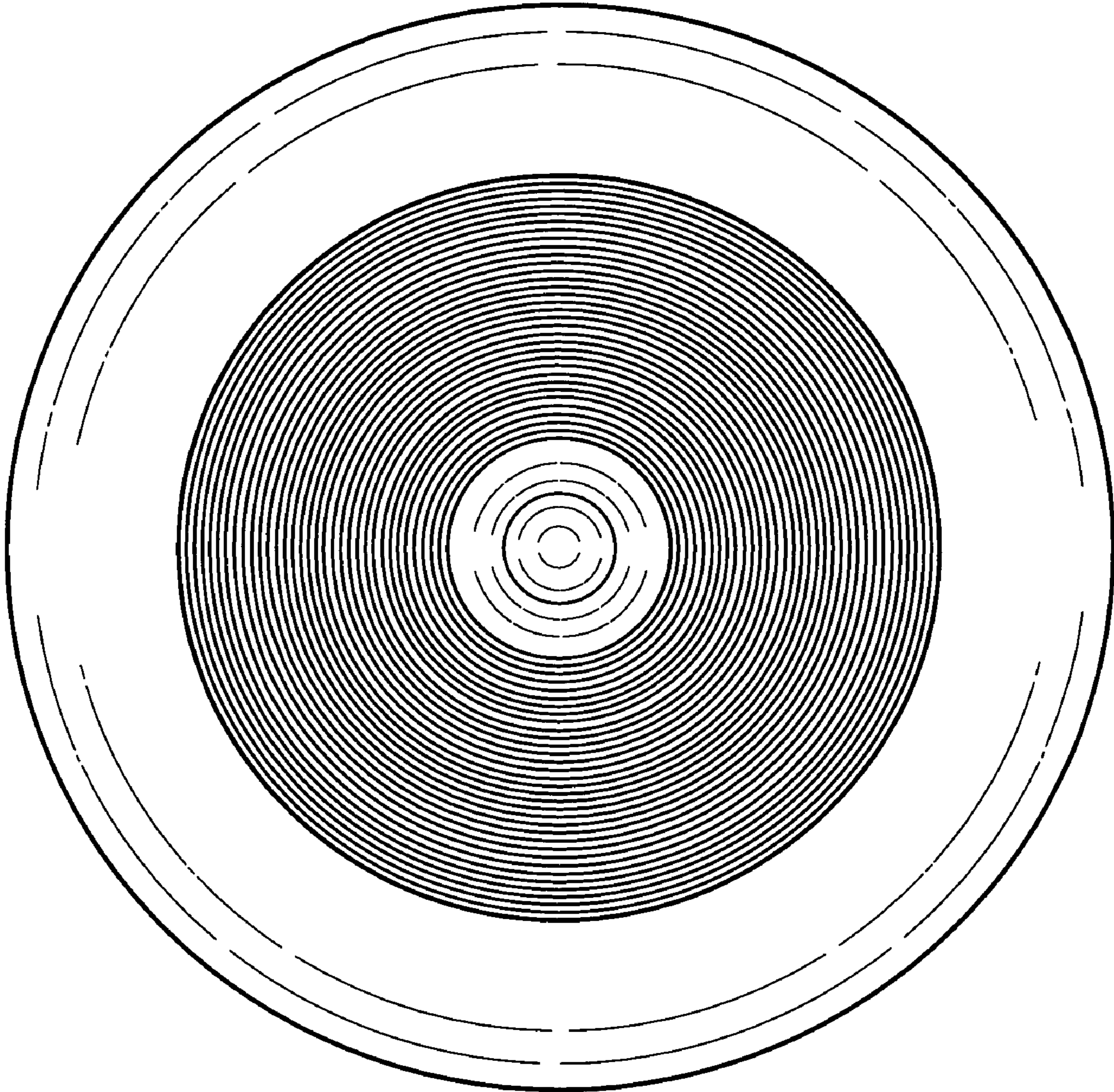


FIG. 7

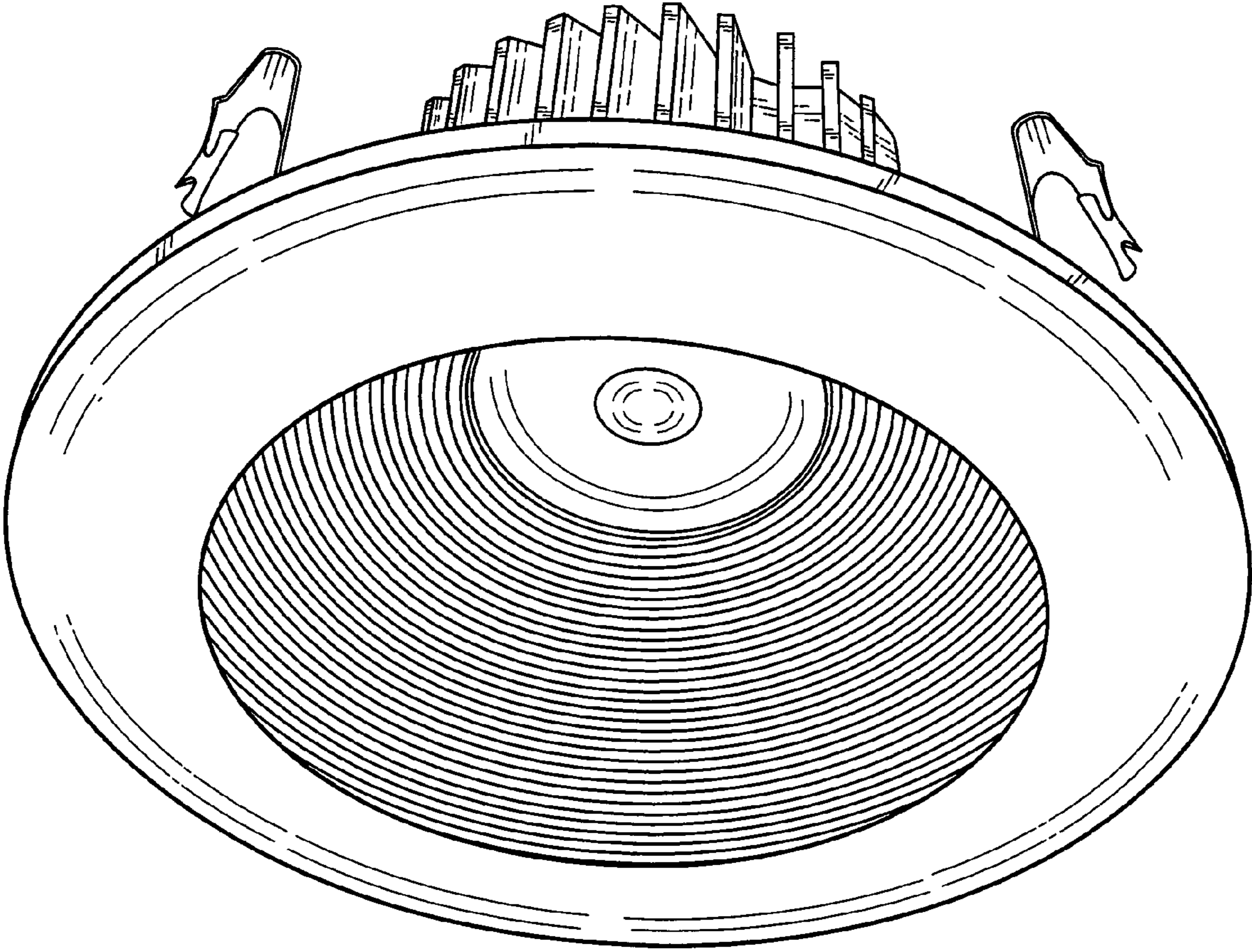


FIG. 8