



US00D646009S

(12) **United States Design Patent**
Yuen

(10) **Patent No.:** **US D646,009 S**

(45) **Date of Patent:** **** Sep. 27, 2011**

(54) **TRIPLE LED SPOTLIGHT**

(76) Inventor: **Se Kit Yuen**, Hong Kong (CN)

(**) Term: **14 Years**

(21) Appl. No.: **29/349,675**

(22) Filed: **Apr. 21, 2010**

(51) **LOC (9) Cl.** **26-02**

(52) **U.S. Cl.** **D26/50**

(58) **Field of Classification Search** D26/37,
D26/38, 39, 42, 46, 49, 51; 362/157, 158,
362/183, 184, 195-208, 800, 253
See application file for complete search history.

(56) **References Cited**

U.S. PATENT DOCUMENTS

D140,335 S *	2/1945	Chapman	D26/37
D476,437 S *	6/2003	Dalton et al.	D26/37
D484,264 S *	12/2003	Dalton et al.	D26/37
D500,376 S *	12/2004	Cormier et al.	D26/37
D541,960 S *	5/2007	Rothman	D26/37

D544,973 S *	6/2007	Lee	D26/37
D595,438 S *	6/2009	Duszynski	D26/46
D606,684 S *	12/2009	Sokuza	D26/37
D620,163 S *	7/2010	Kang et al.	D26/49

* cited by examiner

Primary Examiner — Charles A Rademaker

Assistant Examiner — Carissa C Fitts

(57) **CLAIM**

The ornamental design for a triple LED spotlight, as shown.

DESCRIPTION

FIG. 1 is a side view showing my new design.

FIG. 2 is a front view thereof.

FIG. 3 is other side view thereof.

FIG. 4 is a rear view thereof.

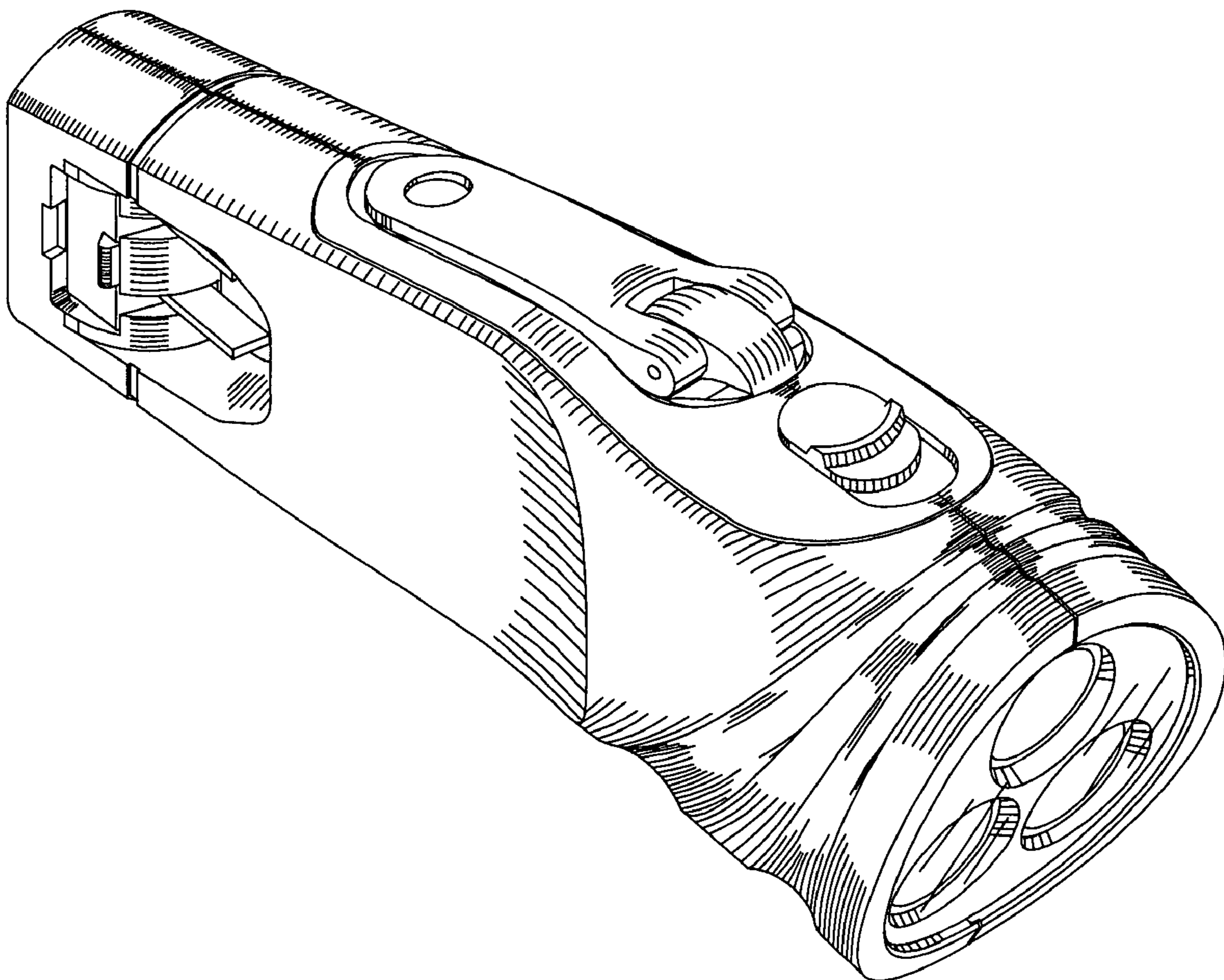
FIG. 5 is a plan view thereof.

FIG. 6 is an underneath view thereof.

FIG. 7 is an isometric view thereof; and,

FIG. 8 is another isometric view thereof.

1 Claim, 8 Drawing Sheets



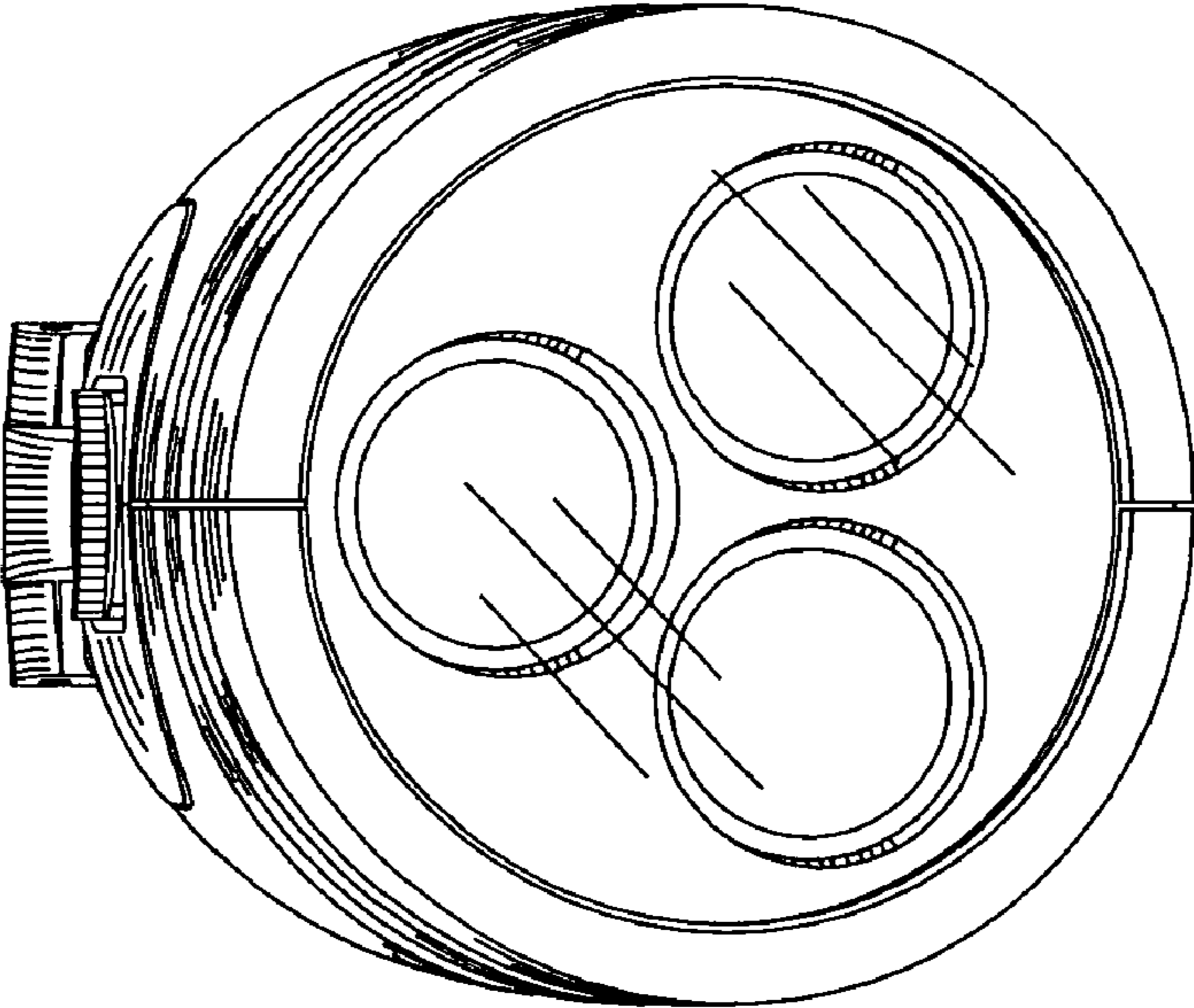


FIG. 1

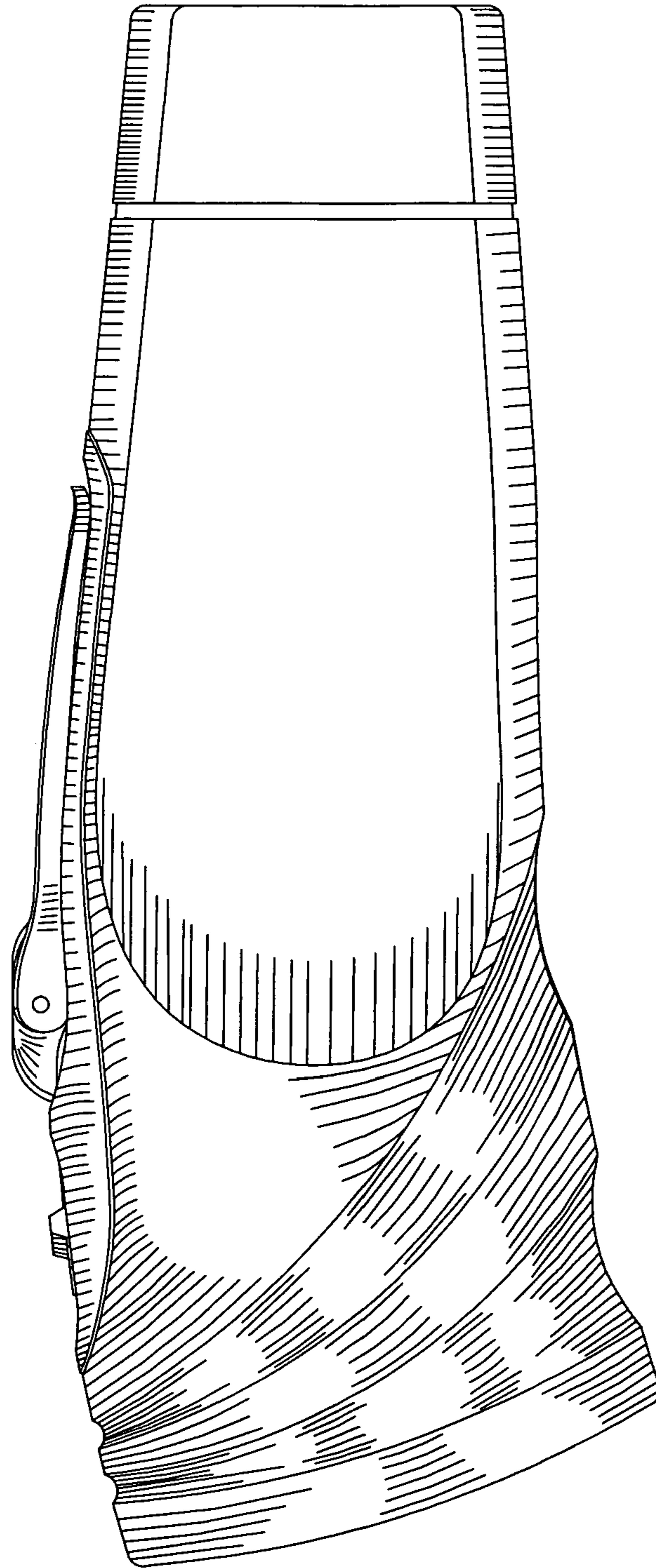


FIG. 2

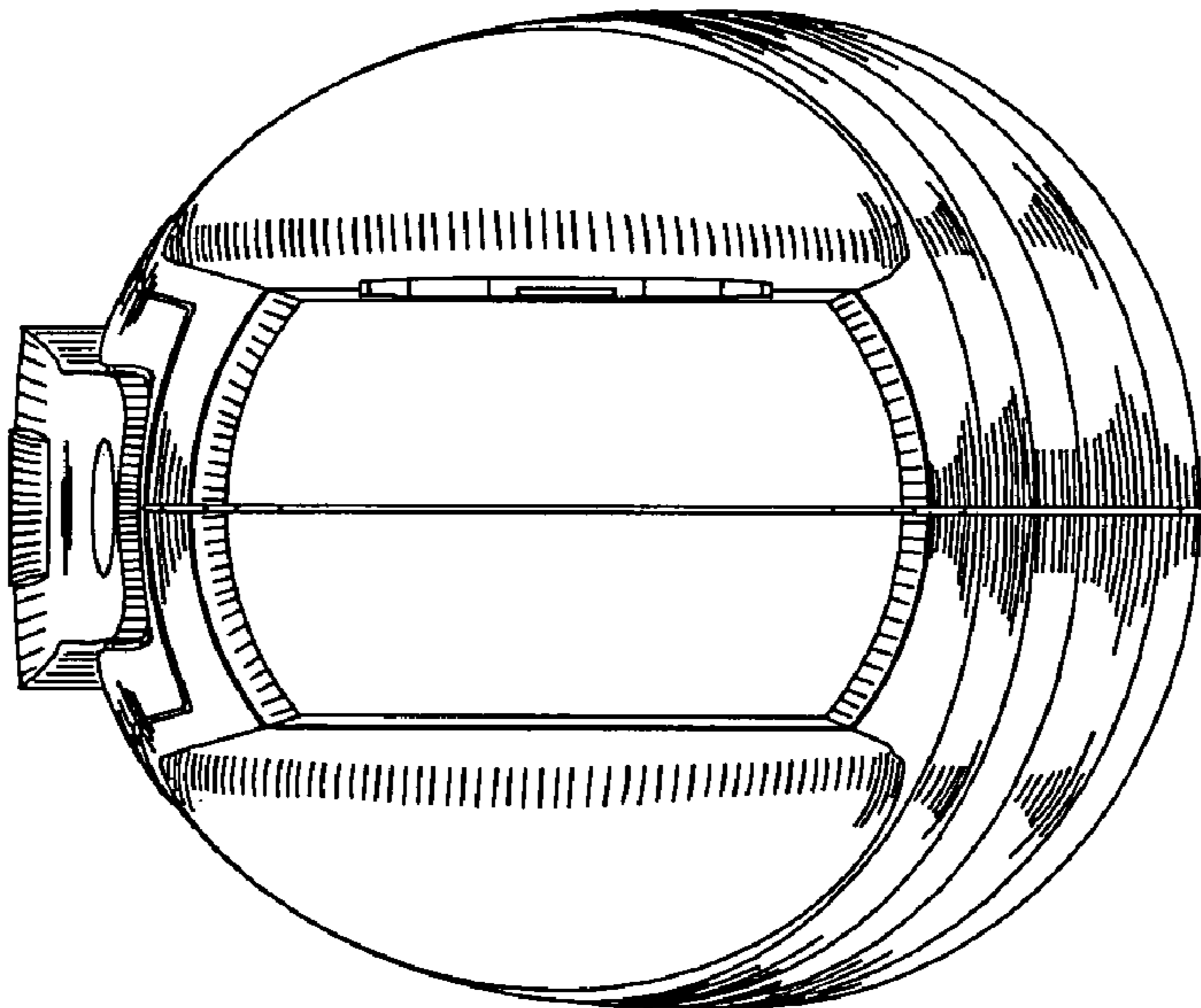


Fig. 3

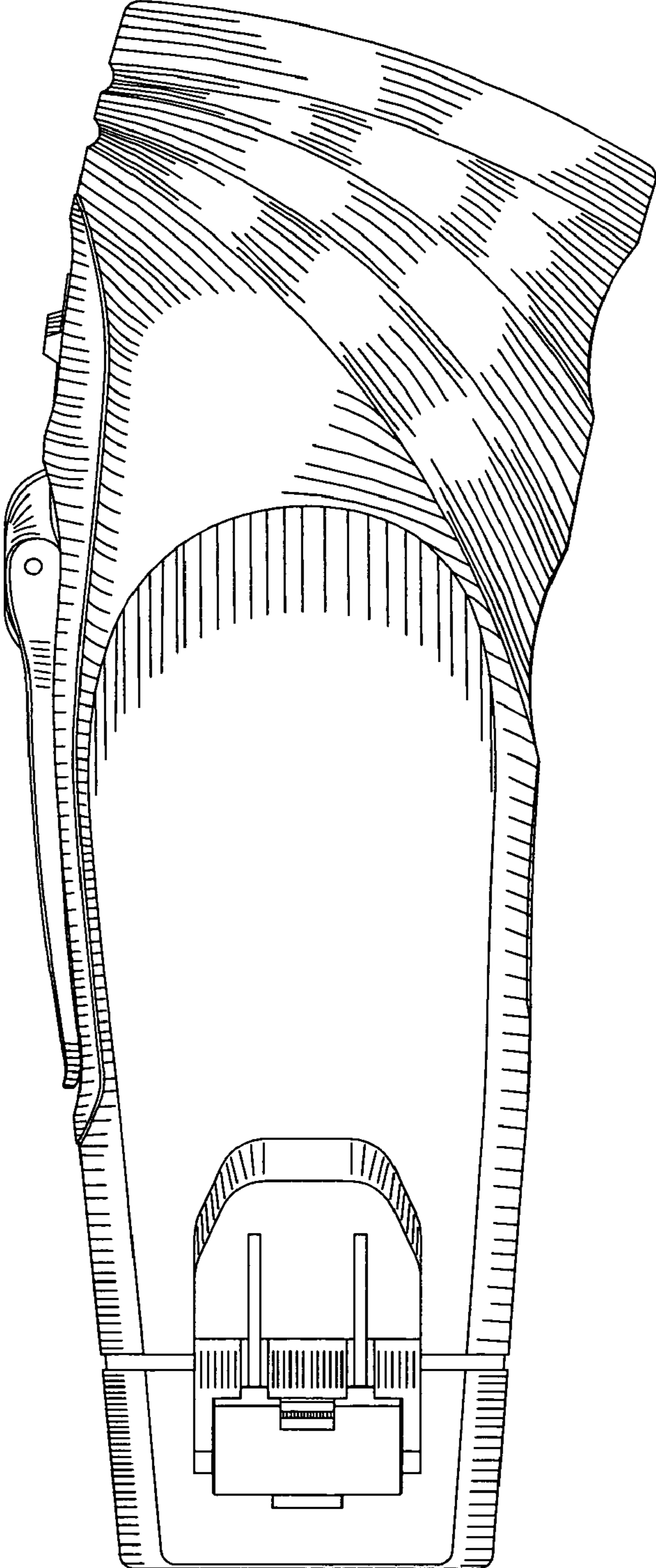


Fig. 4

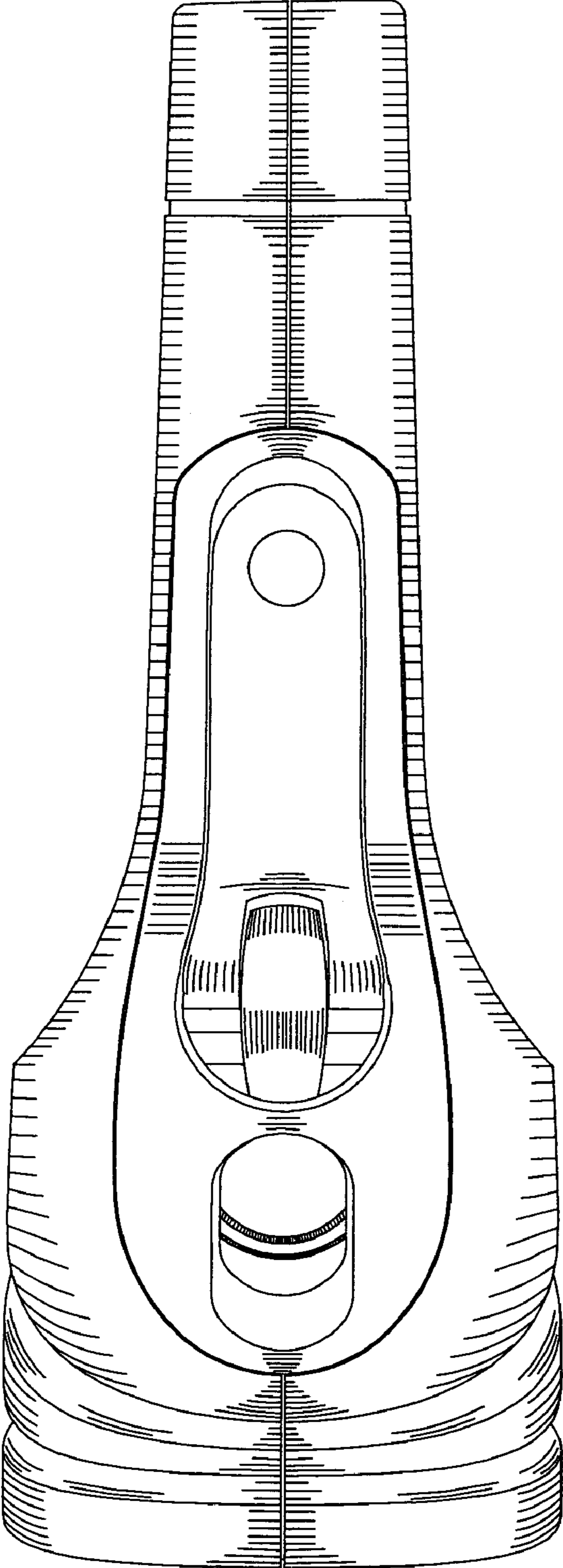


Fig. 5

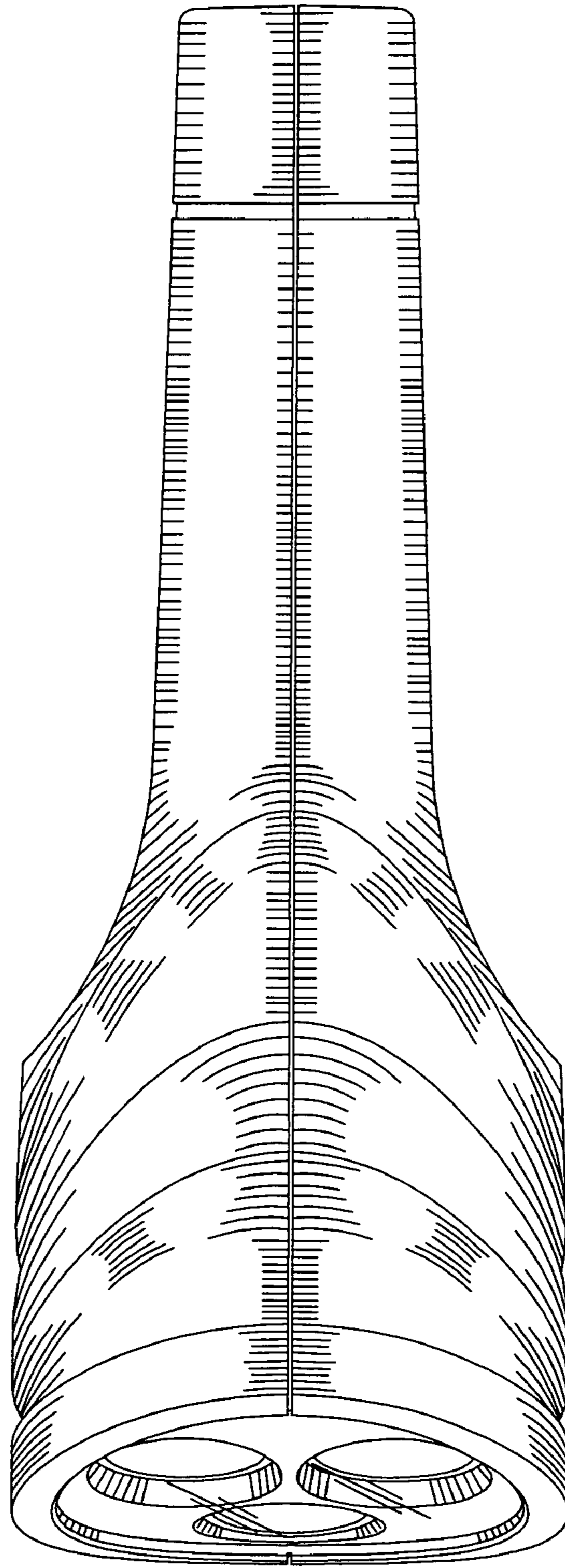


Fig. 6

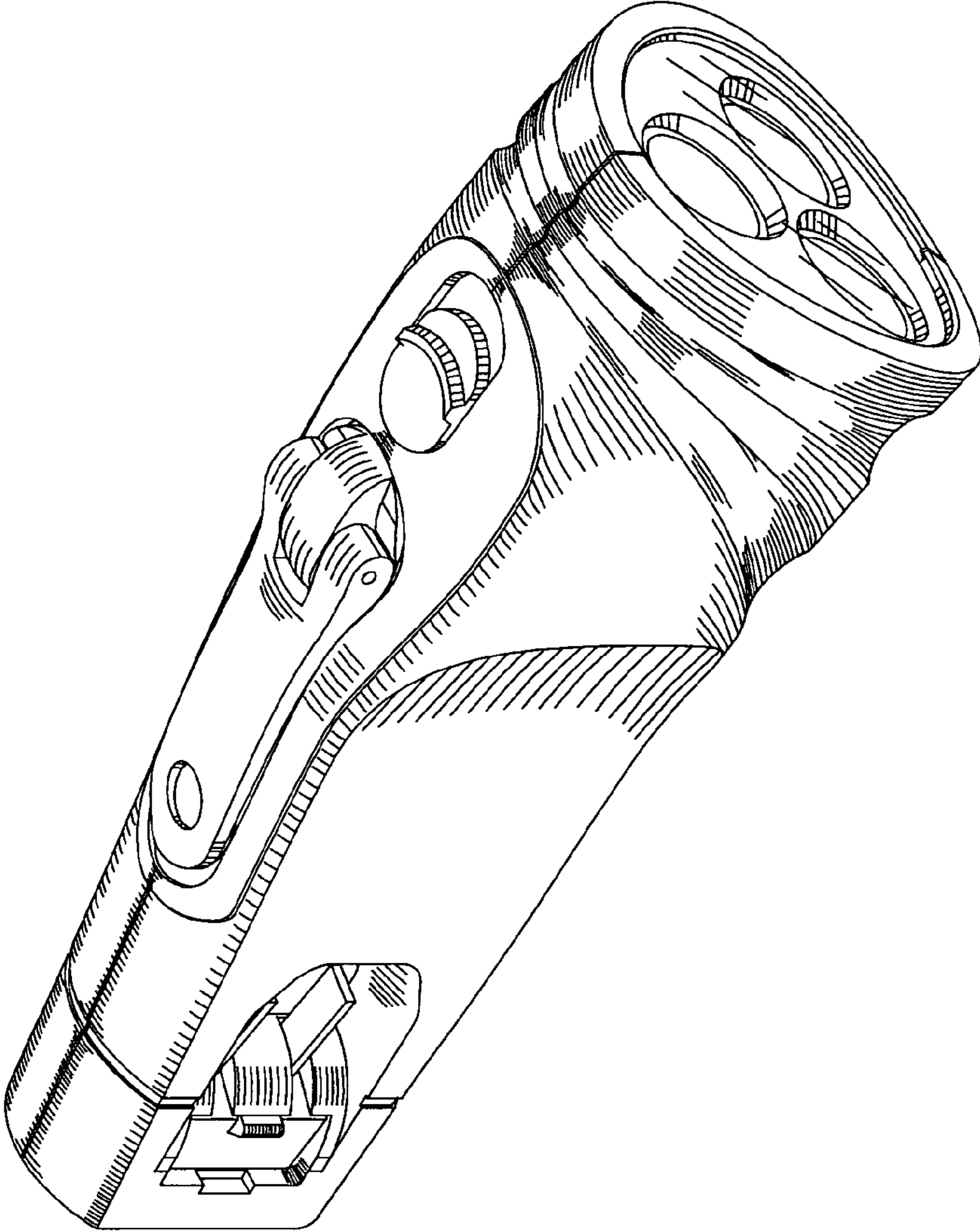


Fig. 7

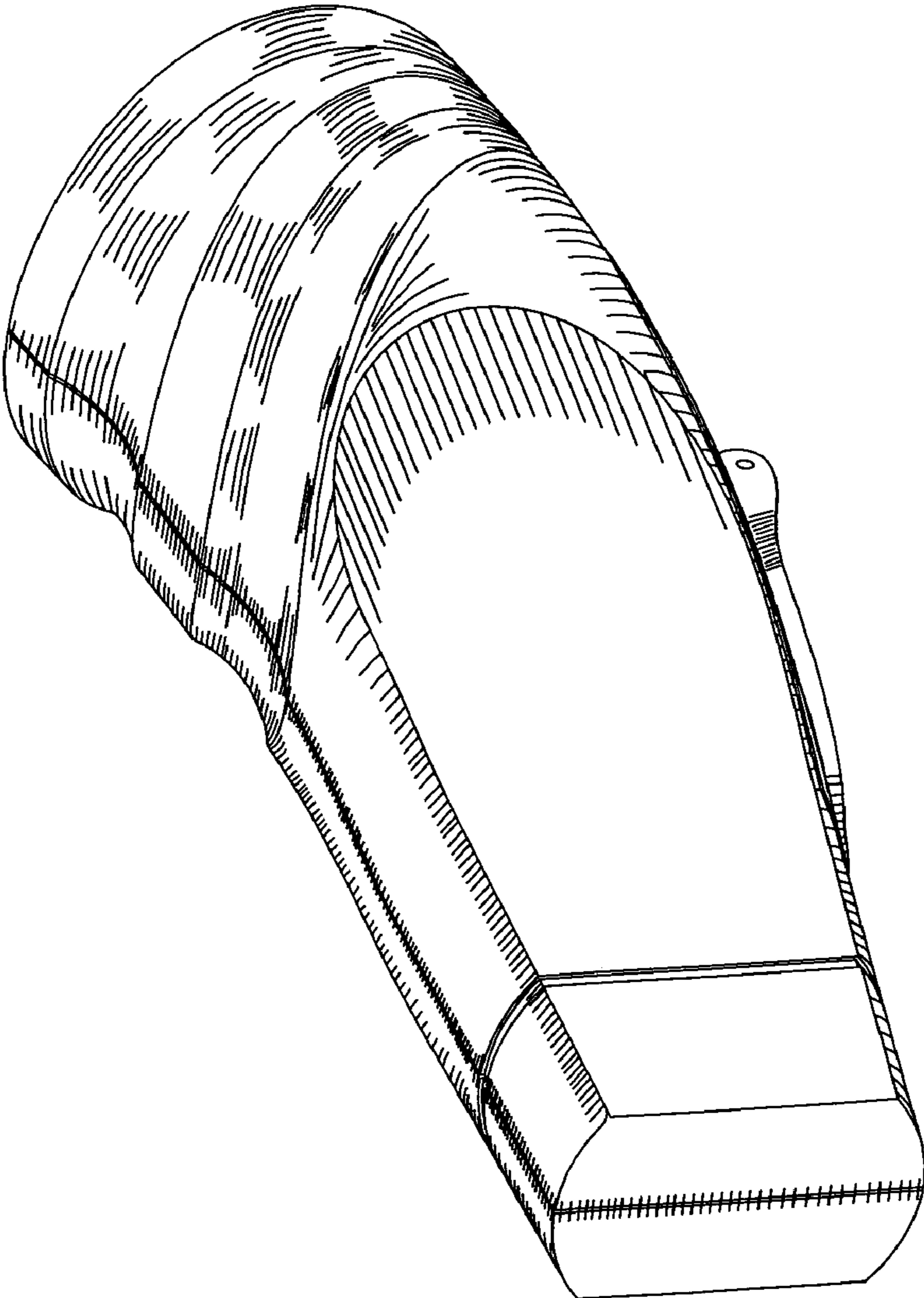


Fig. 8