



US00D646008S

(12) **United States Design Patent**
Couture

(10) **Patent No.:** **US D646,008 S**

(45) **Date of Patent:** **** Sep. 27, 2011**

(54) **FLASHLIGHT**

(75) **Inventor:** **Eric D. Couture**, Manchester, NH (US)

(73) **Assignee:** **L-3 Insight Technology Incorporated**,
Londonderry, NH (US)

(**) **Term:** **14 Years**

(21) **Appl. No.:** **29/360,261**

(22) **Filed:** **Apr. 22, 2010**

(51) **LOC (9) Cl.** **26-02**

(52) **U.S. Cl.** **D26/49**

(58) **Field of Classification Search** D26/37,
D26/46, 49; 362/157, 158, 183, 184, 194–196,
362/202–208

See application file for complete search history.

(56) **References Cited**

U.S. PATENT DOCUMENTS

D486,935 S *	2/2004	Shiu	D26/49
D569,538 S *	5/2008	Leung	D26/49
D577,452 S *	9/2008	Shiu	D26/49
D577,843 S *	9/2008	Couture et al.	D26/49
D580,080 S *	11/2008	Ho	D26/49
D585,577 S *	1/2009	Bonis	D26/49
D590,970 S *	4/2009	Kornfeld et al.	D26/37
D596,772 S *	7/2009	Chang	D26/49

D599,928 S *	9/2009	Shiu	D26/49
D627,030 S *	11/2010	Sellers	D22/108
D629,541 S *	12/2010	Riley	D26/49
D639,477 S *	6/2011	Robinson	D26/49
D639,478 S *	6/2011	Nguyen et al.	D26/49

* cited by examiner

Primary Examiner — Ian Simmons

Assistant Examiner — Carissa C Fitts

(57) **CLAIM**

The ornamental design for a flashlight, as shown and described.

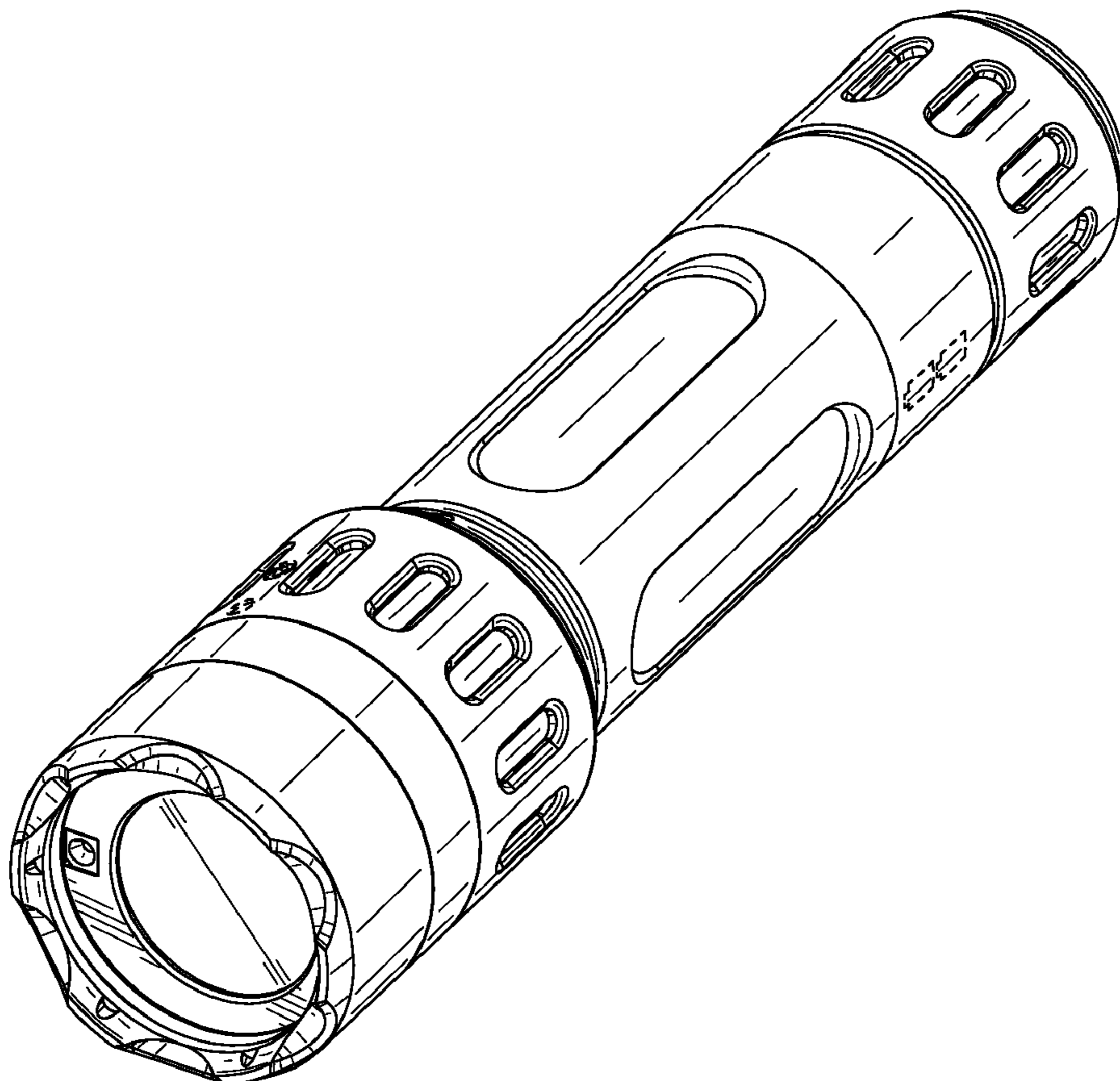
DESCRIPTION

FIG. 1 is a first perspective view of a first flashlight;
FIG. 2 is a second perspective view of the flashlight of FIG. 1;
FIG. 3 is a left side view of the flashlight of FIG. 1;
FIG. 4 is a top view of the flashlight of FIG. 1;
FIG. 5 is a right side view of flashlight of FIG. 1;
FIG. 6 is a bottom view of the flashlight of FIG. 1;
FIG. 7 is a front view of the flashlight of FIG. 1; and,
FIG. 8 is a rear view of the flashlight of FIG. 1.

Rear view is not included as it forms no part of the claimed invention.

The broken lines showing in the drawings are for environmental purposes only and form no part of the claimed design.

1 Claim, 4 Drawing Sheets



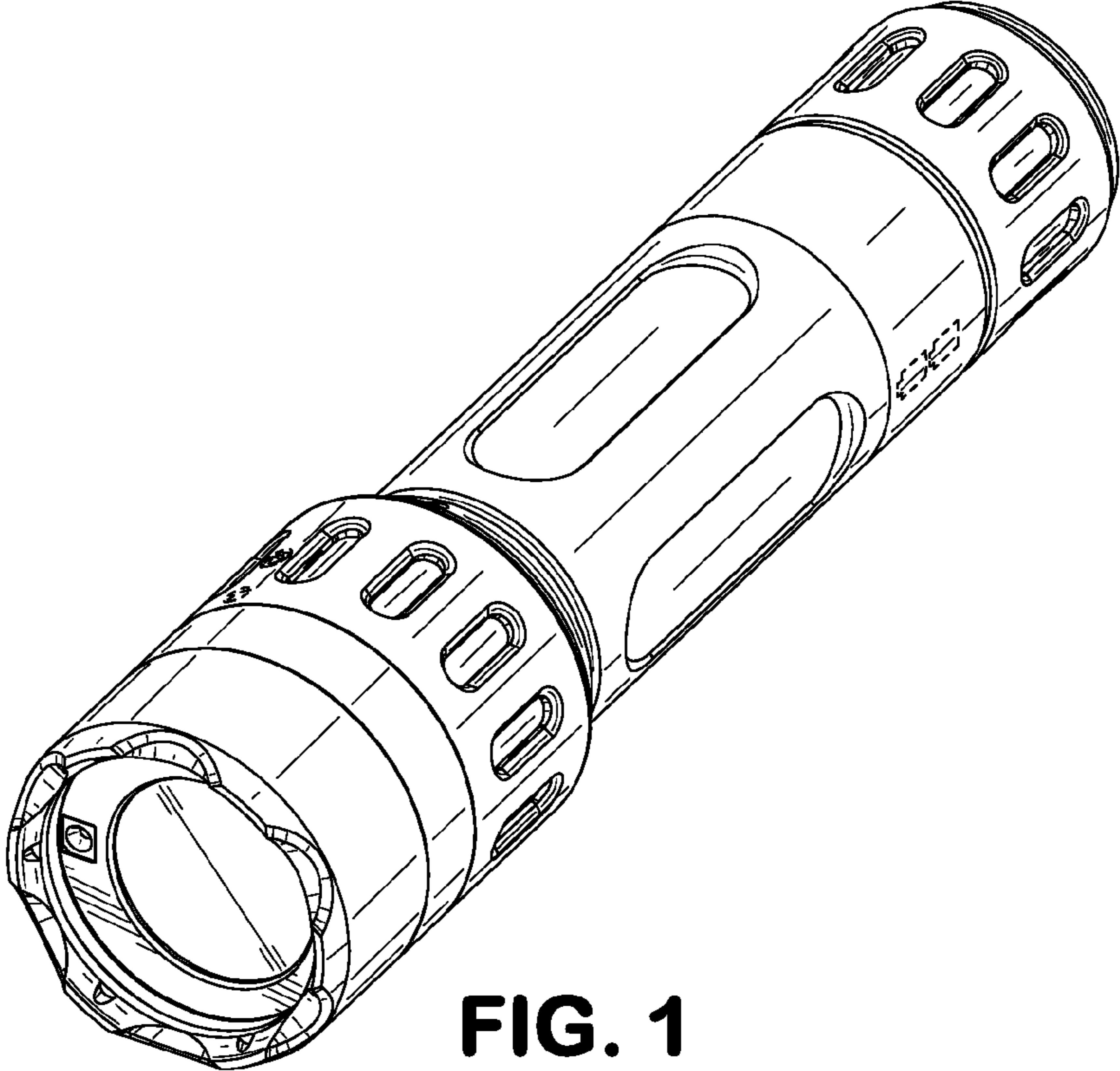


FIG. 1

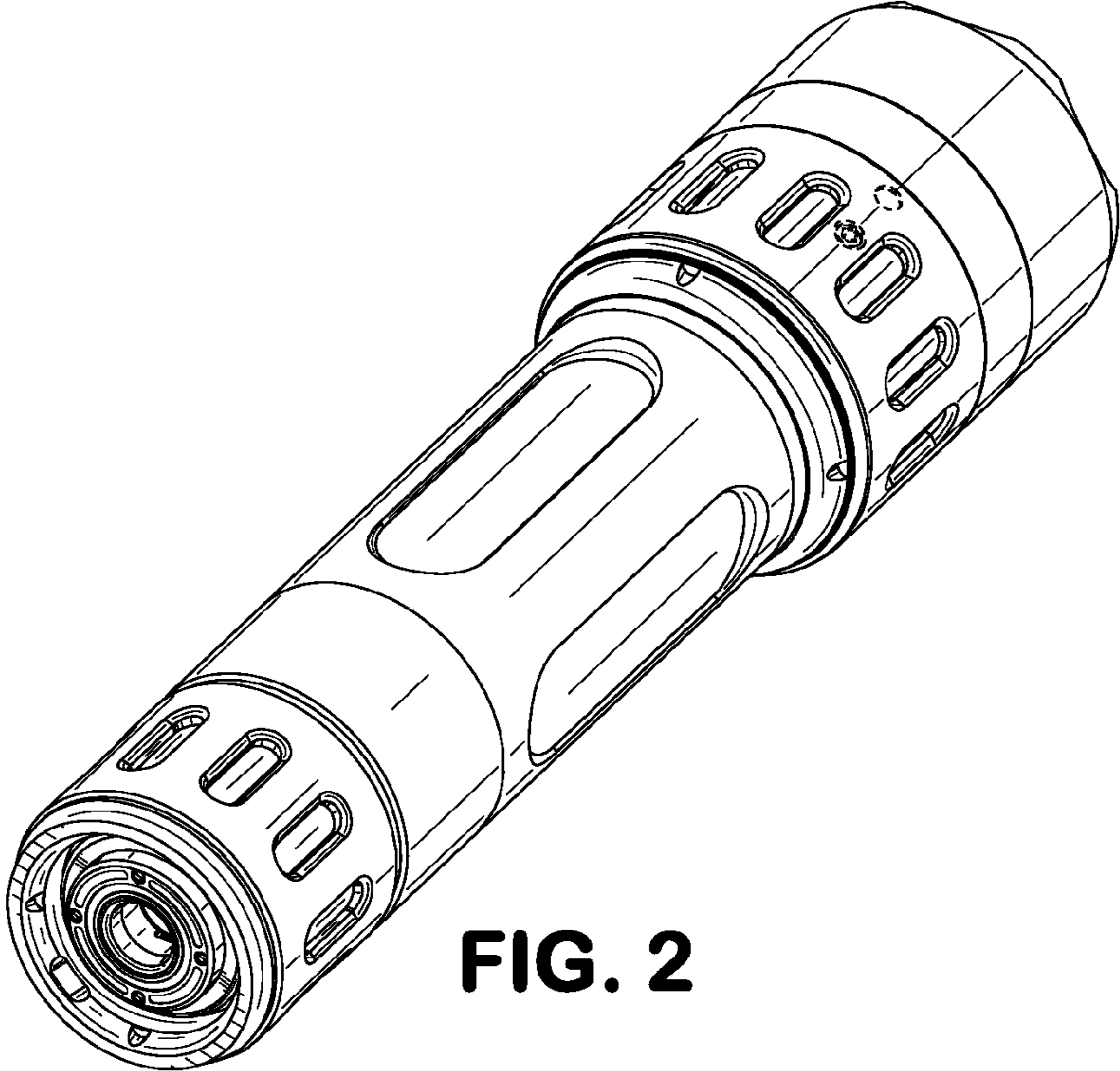


FIG. 2

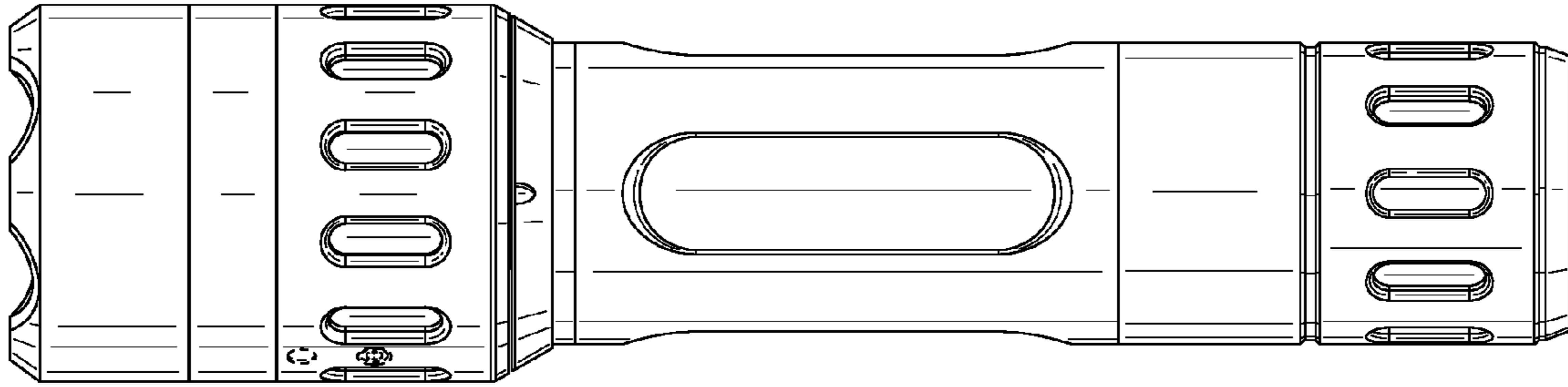


FIG. 3

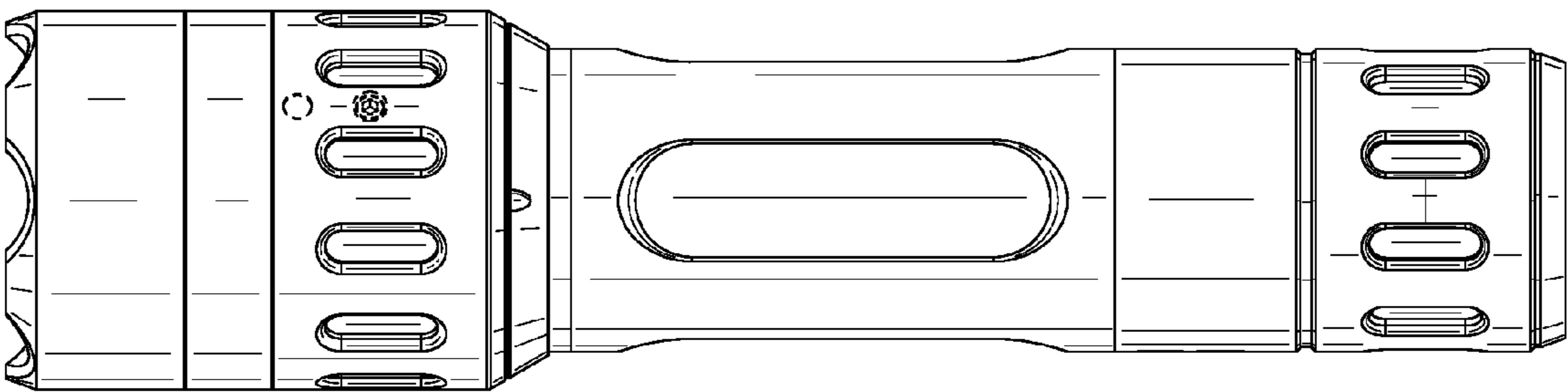


FIG. 4

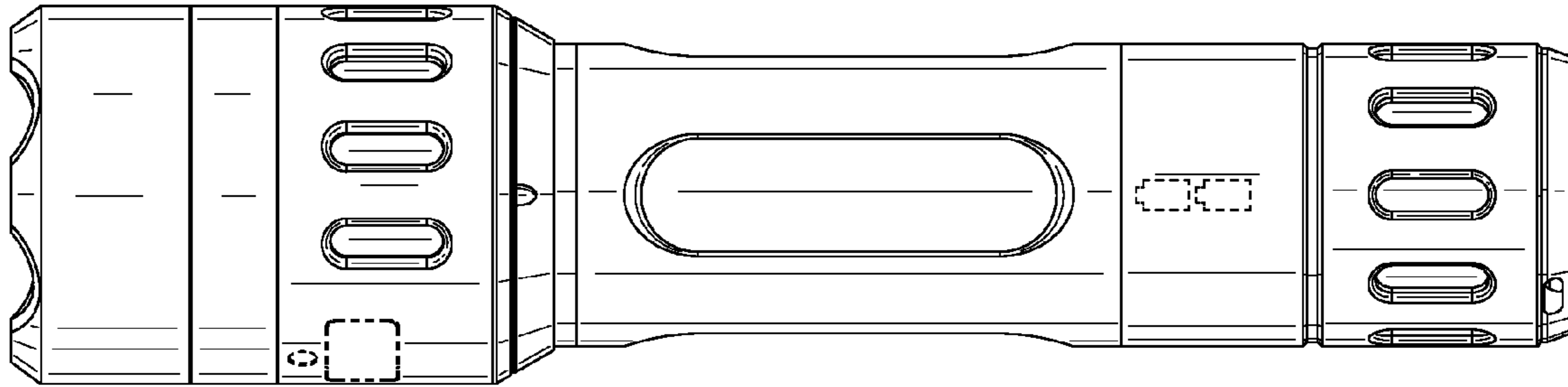


FIG. 5

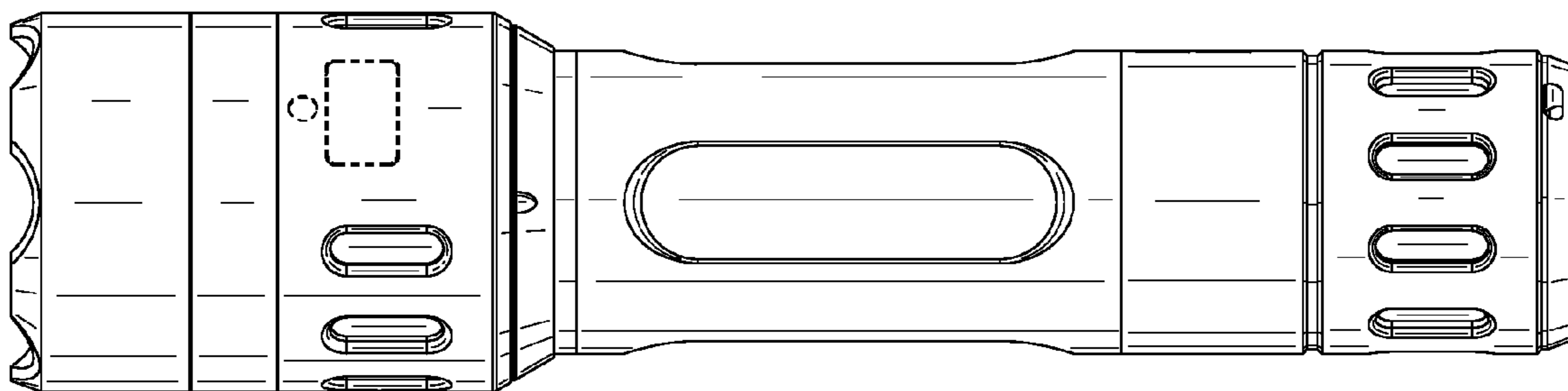


FIG. 6

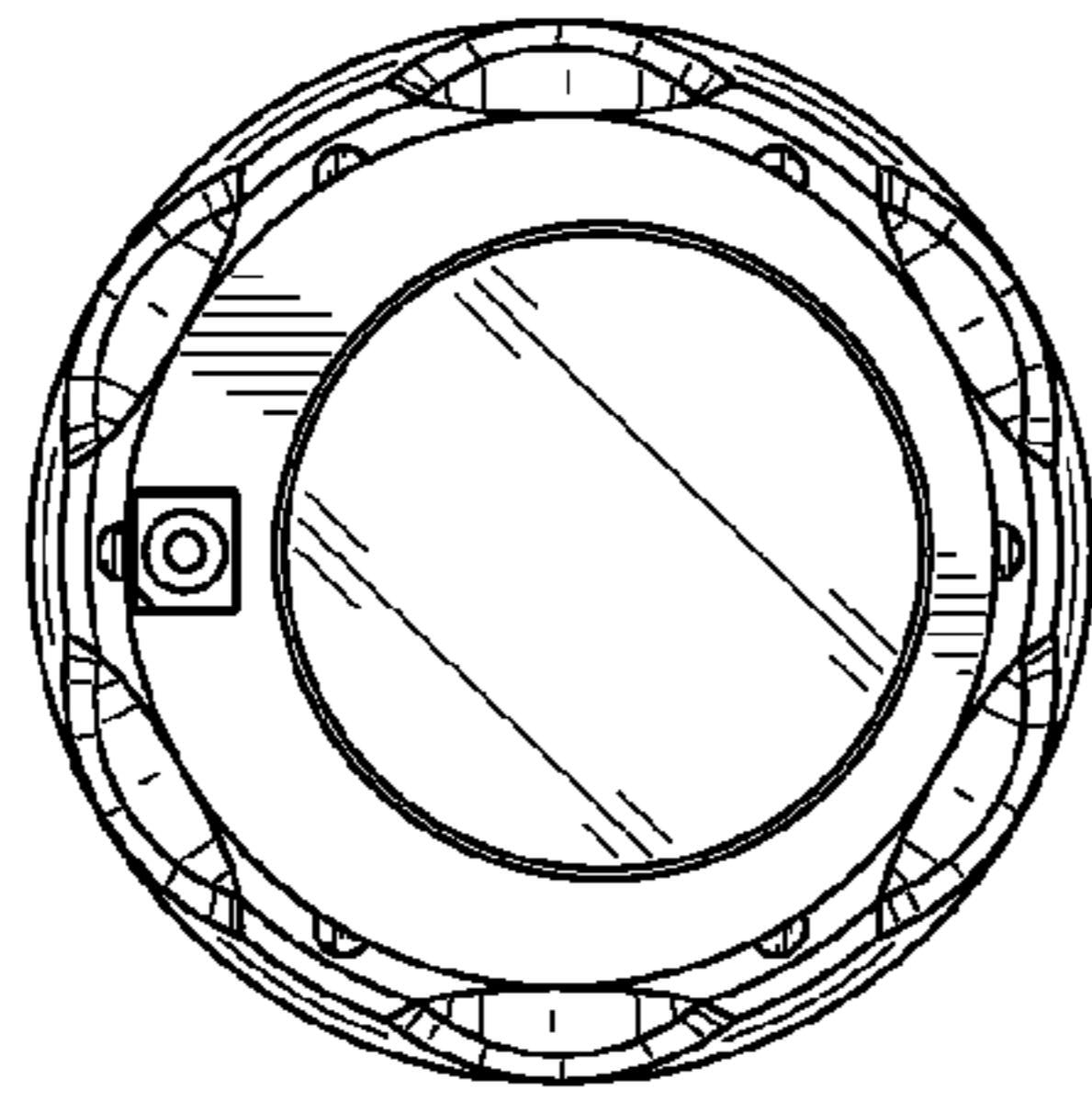


FIG. 7

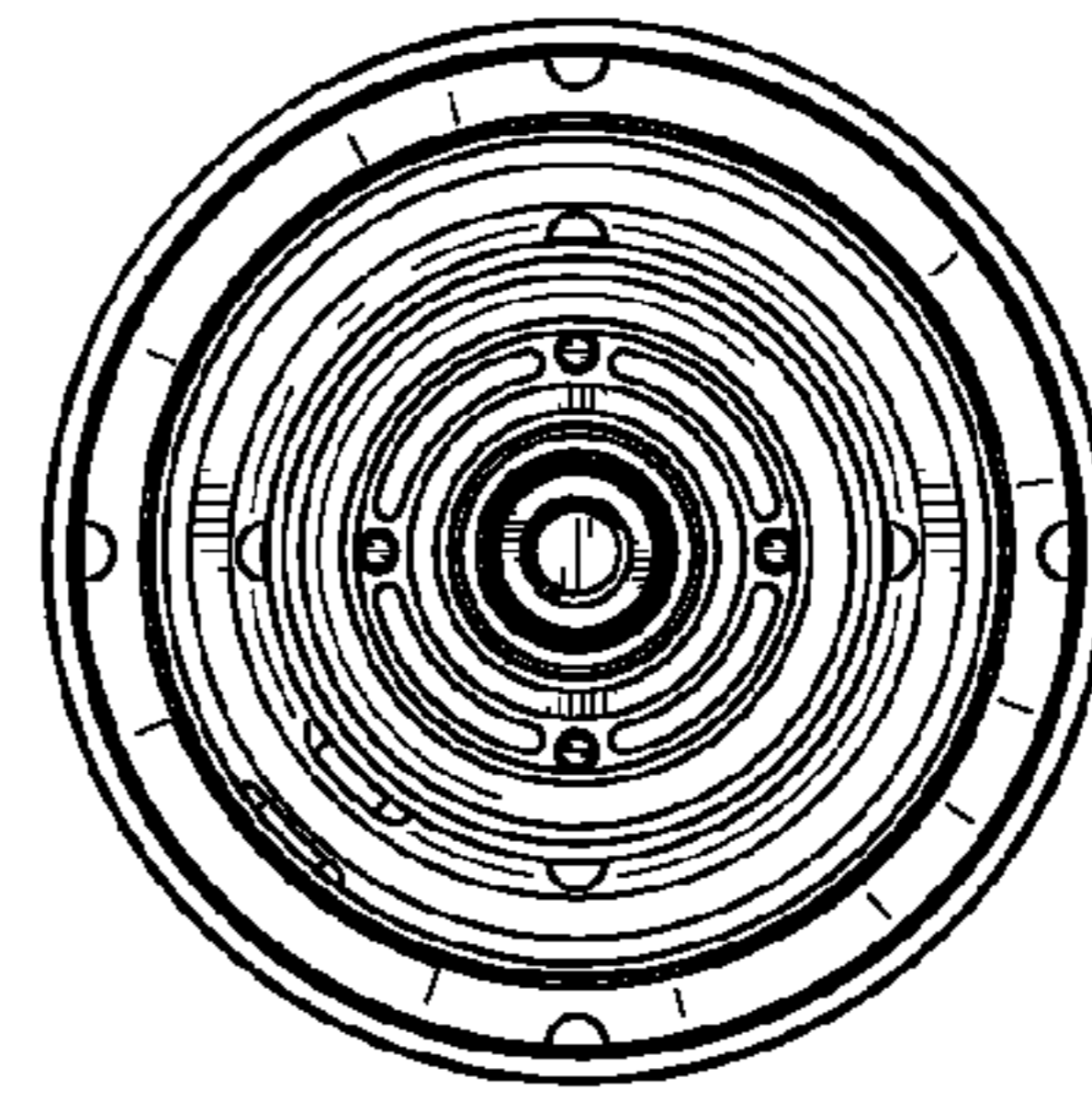


FIG. 8