



US00D646007S

(12) **United States Design Patent**  
**Tompkin**

(10) **Patent No.:** **US D646,007 S**

(45) **Date of Patent:** **\*\* Sep. 27, 2011**

(54) **UTILITY FLASHLIGHT**

(75) Inventor: **Crispian Tompkin**, Los Angeles, CA  
(US)

(73) Assignee: **MerchSource, LLC**, Foothill Ranch, CA  
(US)

(\*\*) Term: **14 Years**

(21) Appl. No.: **29/379,241**

(22) Filed: **Nov. 16, 2010**

(51) **LOC (9) Cl.** ..... **26-02**

(52) **U.S. Cl.** ..... **D26/46**

(58) **Field of Classification Search** ..... D26/37-42,  
D26/45-46, 48, 50; 362/157, 158, 184-191,  
362/194-199, 202-208

See application file for complete search history.

(56) **References Cited**

U.S. PATENT DOCUMENTS

D523,576 S *	6/2006	Chen et al.	.....	D26/38
D527,126 S *	8/2006	Opolka	.....	D26/37
D536,812 S *	2/2007	Bayat et al.	.....	D26/37
D541,962 S *	5/2007	Bayat et al.	.....	D26/42
D622,431 S *	8/2010	Bayat et al.	.....	D26/46

\* cited by examiner

*Primary Examiner* — Jeffrey D Asch

*Assistant Examiner* — Carissa C Fitts

(74) *Attorney, Agent, or Firm* — The Eclipse Group LLP

(57) **CLAIM**

I claim the ornamental design for a utility flashlight, as shown and described.

**DESCRIPTION**

FIG. 1 is a top perspective view of a utility flashlight.

FIG. 2 is a front elevation view of the utility flashlight illustrated in FIG. 1.

FIG. 3 is a rear elevation view of the utility flashlight illustrated in FIG. 1.

FIG. 4 is a top view of the utility flashlight illustrated in FIG. 1.

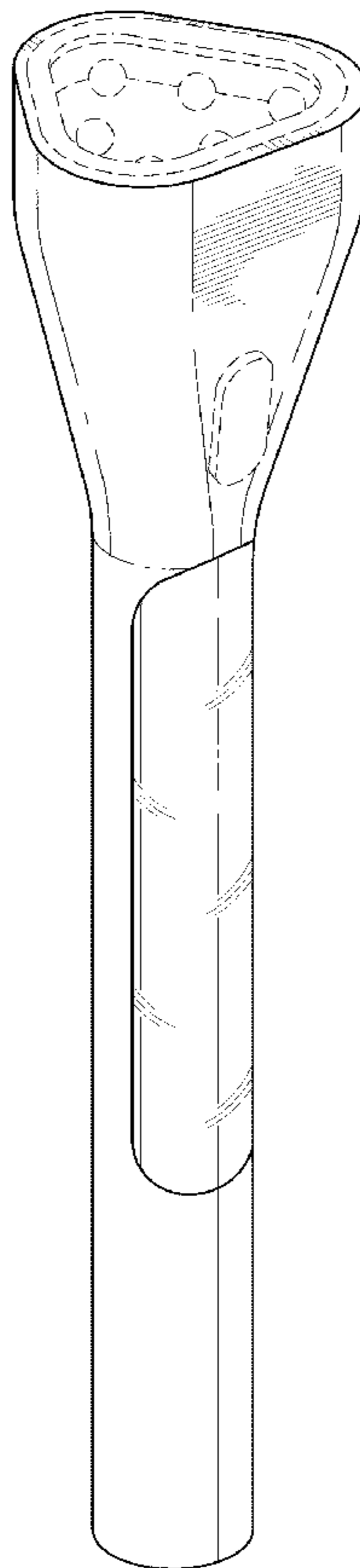
FIG. 5 is a bottom view of the utility flashlight illustrated in FIG. 1.

FIG. 6 is an elevation view of the left side of the utility flashlight illustrated in FIG. 1; and,

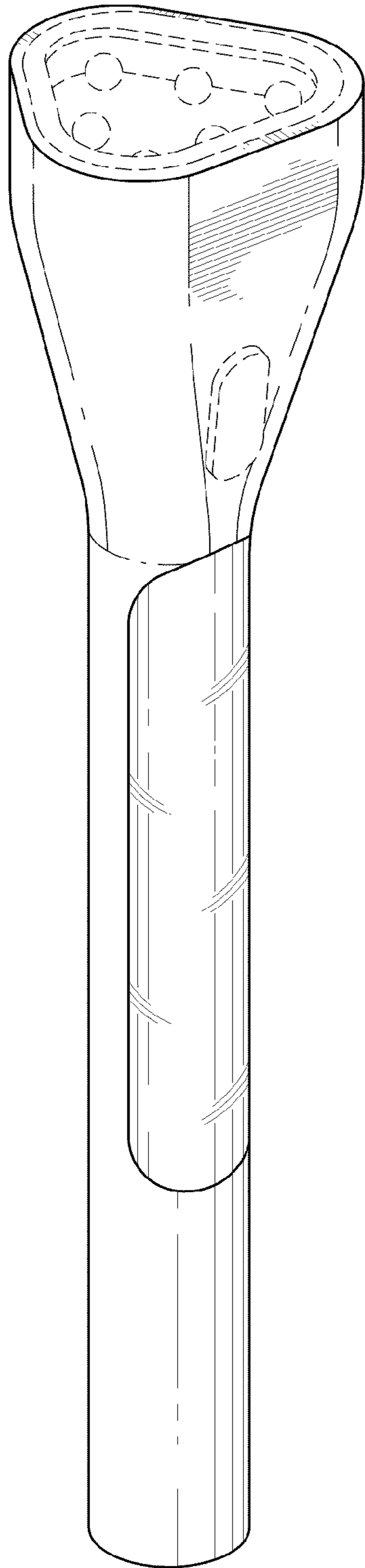
FIG. 7 is an elevation view of the right side of the utility flashlight illustrated in FIG. 1.

The broken lines immediately adjacent the shaded areas represent the bounds of the claimed design while all other broken lines are directed to environment and are for illustrative purposes only; the broken lines form no part of the claimed design.

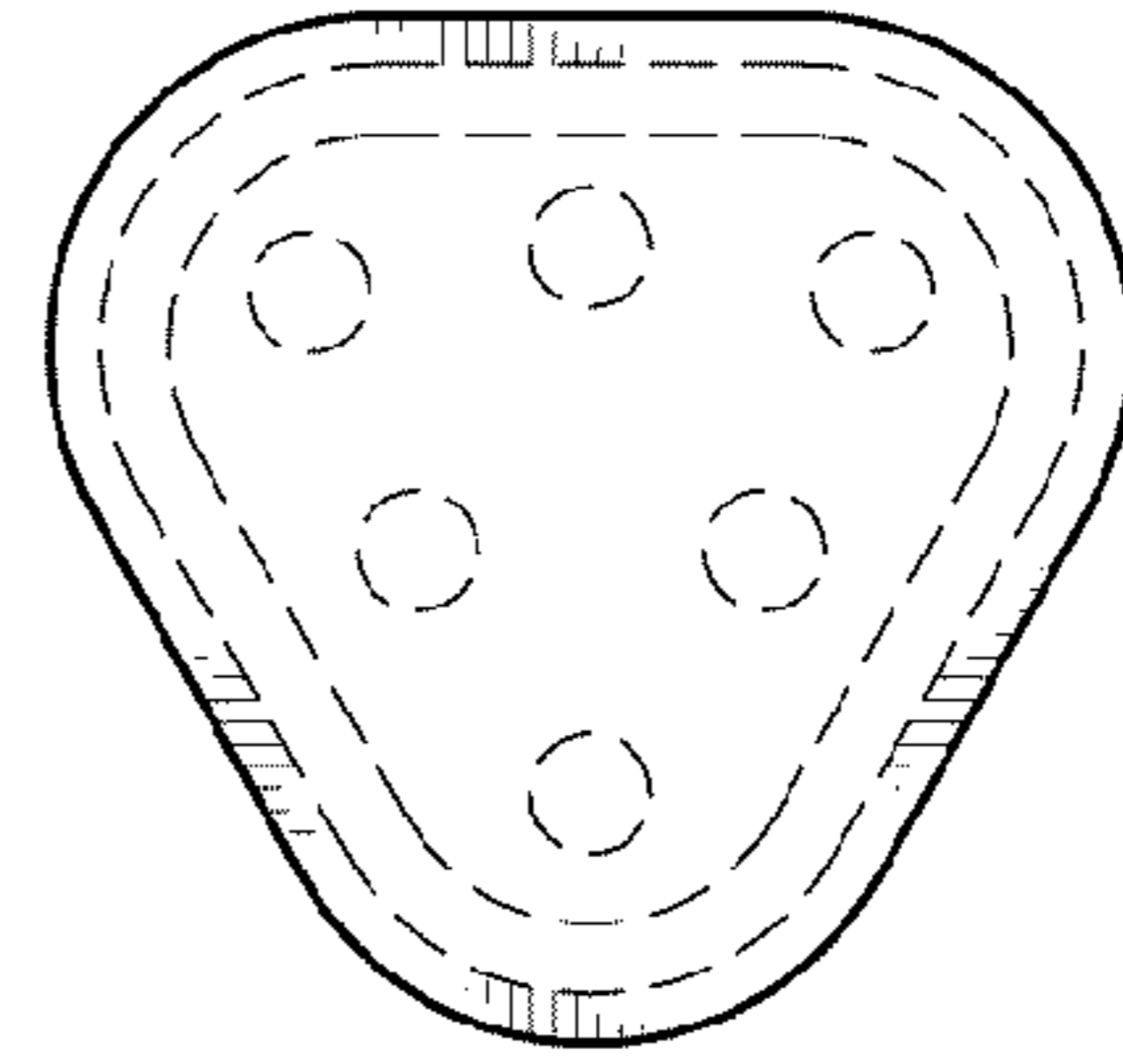
**1 Claim, 3 Drawing Sheets**



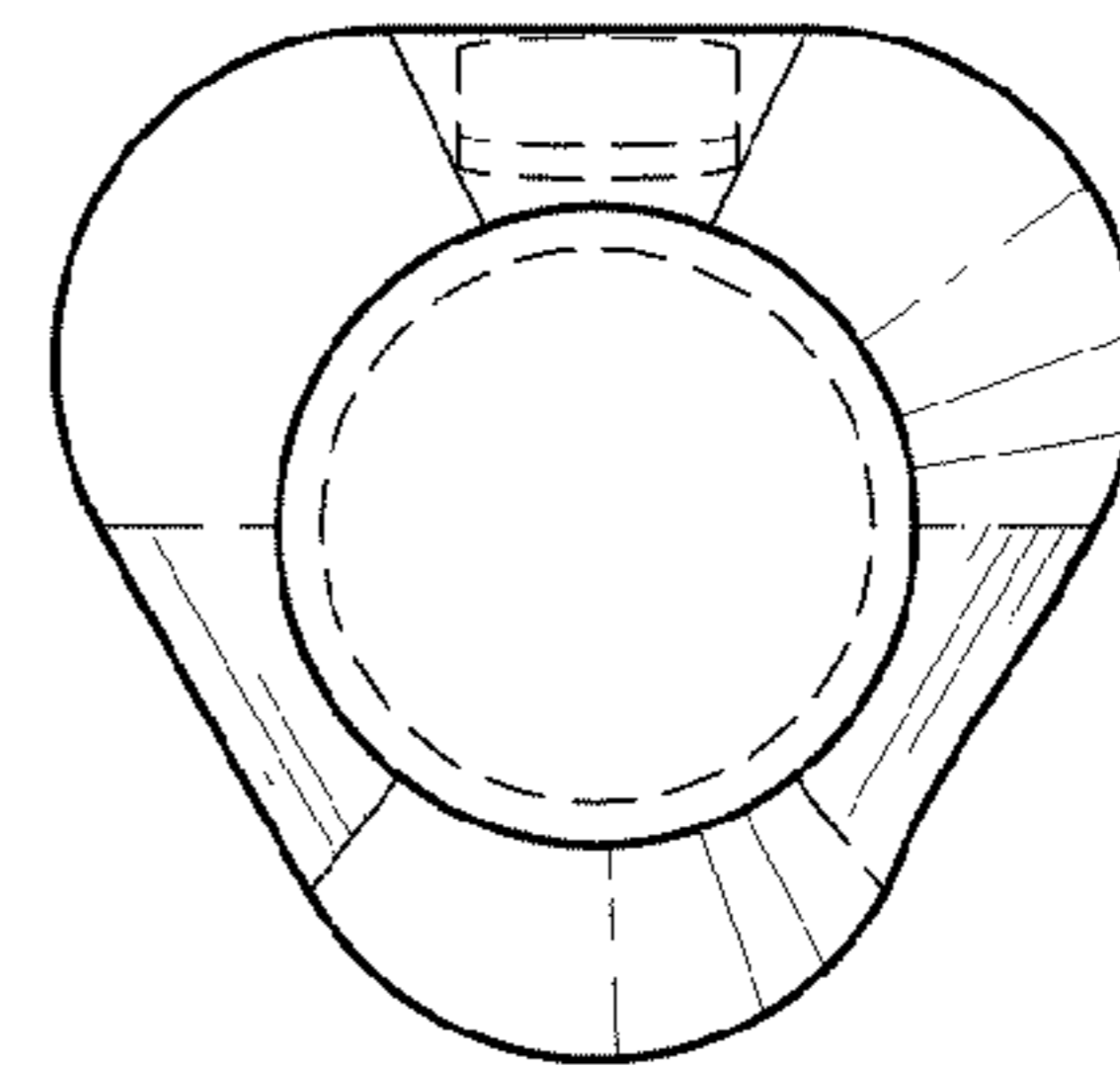
*FIG. 1*



*FIG. 2*



*FIG. 3*



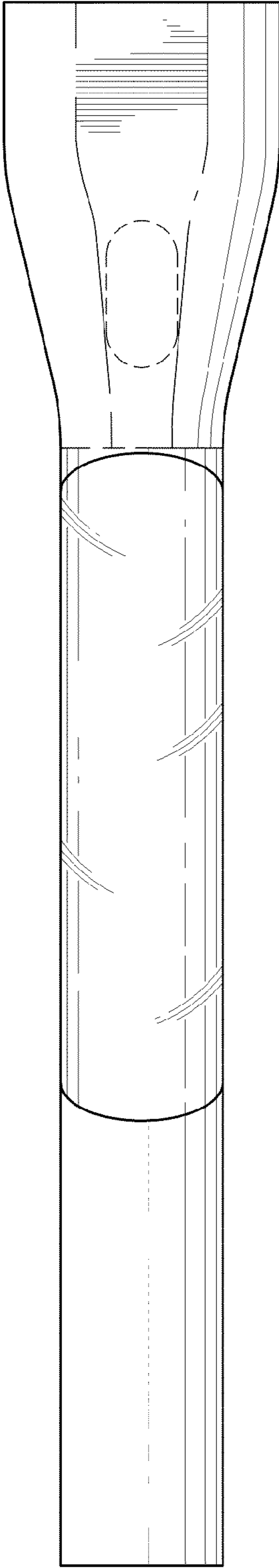


FIG. 4

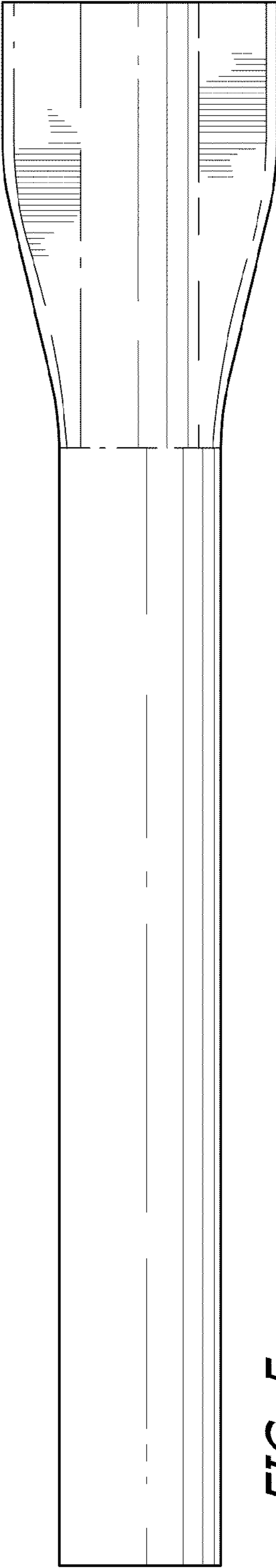


FIG. 5

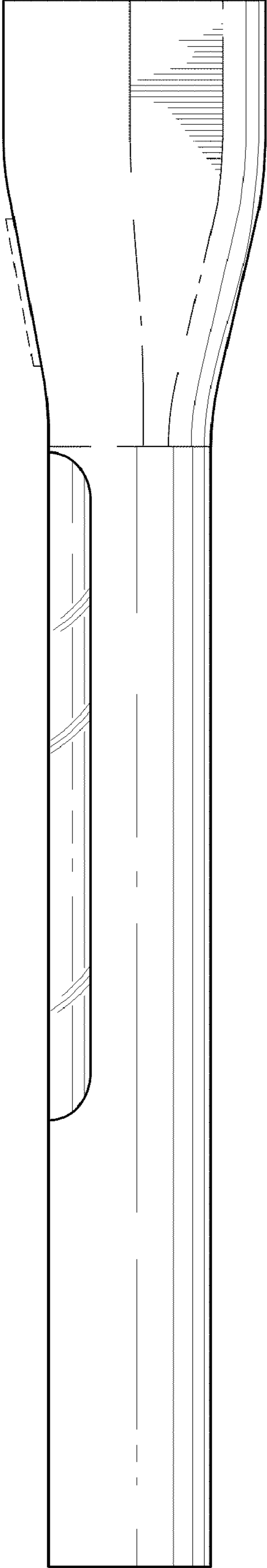


FIG. 6

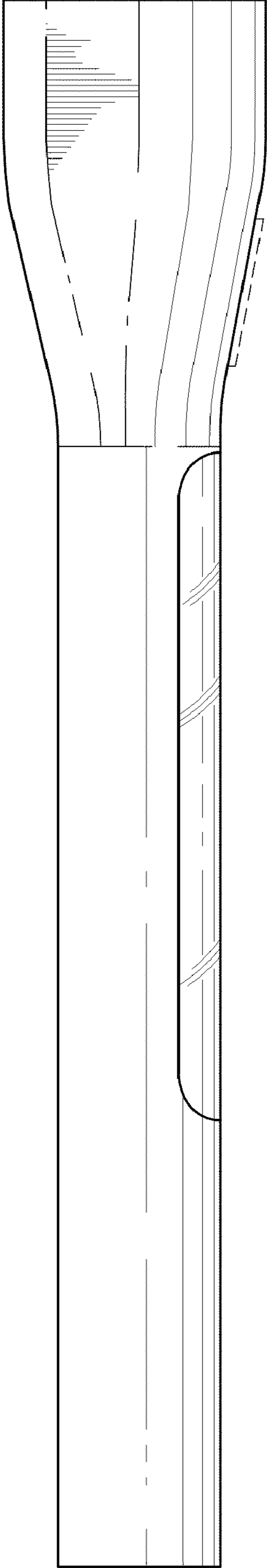


FIG. 7