

US00D646002S

(12) **United States Design Patent**
Wang

(10) **Patent No.:** **US D646,002 S**

(45) **Date of Patent:** **** Sep. 27, 2011**

(54) **LED AQUARIUM LIGHT**

(75) Inventor: **Yu-Chin Wang**, Taipei (TW)

(73) Assignee: **Eiko Electric Products Corp.**, Taipei (TW)

(**) Term: **14 Years**

(21) Appl. No.: **29/376,187**

(22) Filed: **Oct. 4, 2010**

(51) **LOC (9) Cl.** **26-03**

(52) **U.S. Cl.** **D26/24; D26/51; D26/79**

(58) **Field of Classification Search** D26/75-85, D26/88, 89, 72, 25, 3, 113, 118, 128, 141, D26/142, 51; 362/555, 14, 148, 150, 217.01, 362/217.05, 217.06, 217.07, 217.08, 217.09, 362/217.1, 217.12, 217.13, 260, 296.01, 362/404, 101; 119/266, 267; D30/104, 106
See application file for complete search history.

(56) **References Cited**

U.S. PATENT DOCUMENTS

D110,198 S *	6/1938	Stewart	D26/78
5,353,746 A *	10/1994	Del Rosario	119/266
6,065,849 A *	5/2000	Chen	362/101
D463,058 S *	9/2002	Nourishad	D26/76

D468,473 S *	1/2003	Shemitz et al.	D26/76
D490,927 S *	6/2004	Keller	D26/77
D543,305 S *	5/2007	Wang	D26/60
7,258,459 B2 *	8/2007	Wang	362/101
D604,001 S *	11/2009	Thun	D26/76
D610,736 S *	2/2010	Klaus	D26/76
D617,484 S *	6/2010	Fredricks	D26/51
D617,928 S *	6/2010	Fredricks	D26/51
2008/0266836 A1 *	10/2008	Hadley	362/101

* cited by examiner

Primary Examiner — Angela J Lee

(74) *Attorney, Agent, or Firm* — Guice Patents PLLC

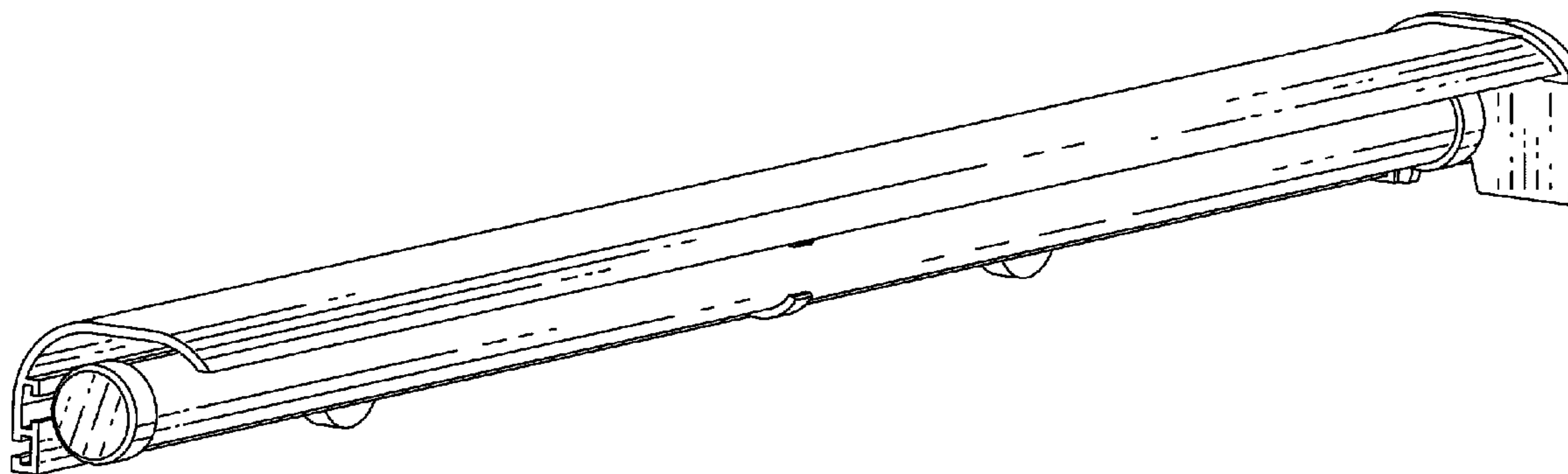
(57) **CLAIM**

The ornamental design for a LED aquarium light, as shown and described.

DESCRIPTION

FIG. 1 is a perspective view of a LED aquarium light showing my new design;
FIG. 2 is a front elevation view thereof;
FIG. 3 is a rear elevation view thereof;
FIG. 4 is a left side elevation view thereof;
FIG. 5 is a right side elevation view thereof;
FIG. 6 is a top view thereof; and,
FIG. 7 is a bottom view thereof.

1 Claim, 4 Drawing Sheets



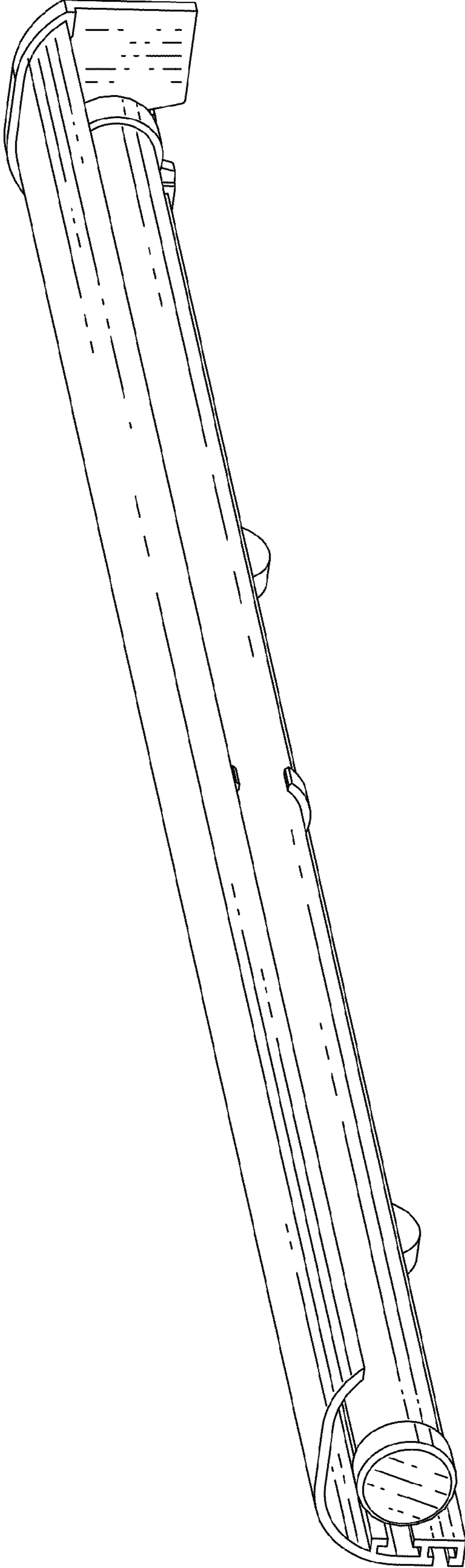


FIG. 1

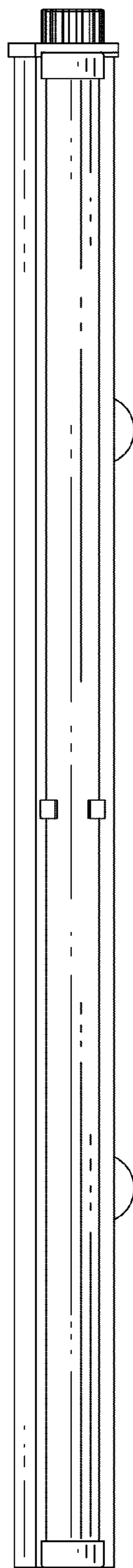


FIG. 2

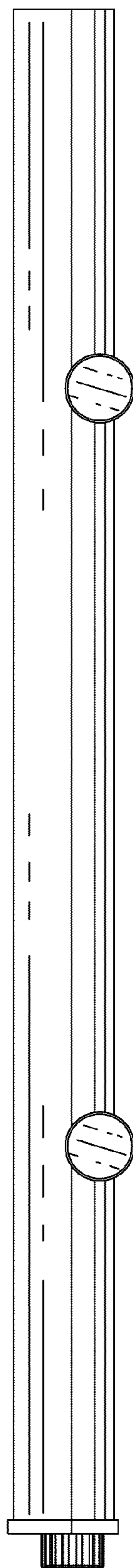


FIG. 3

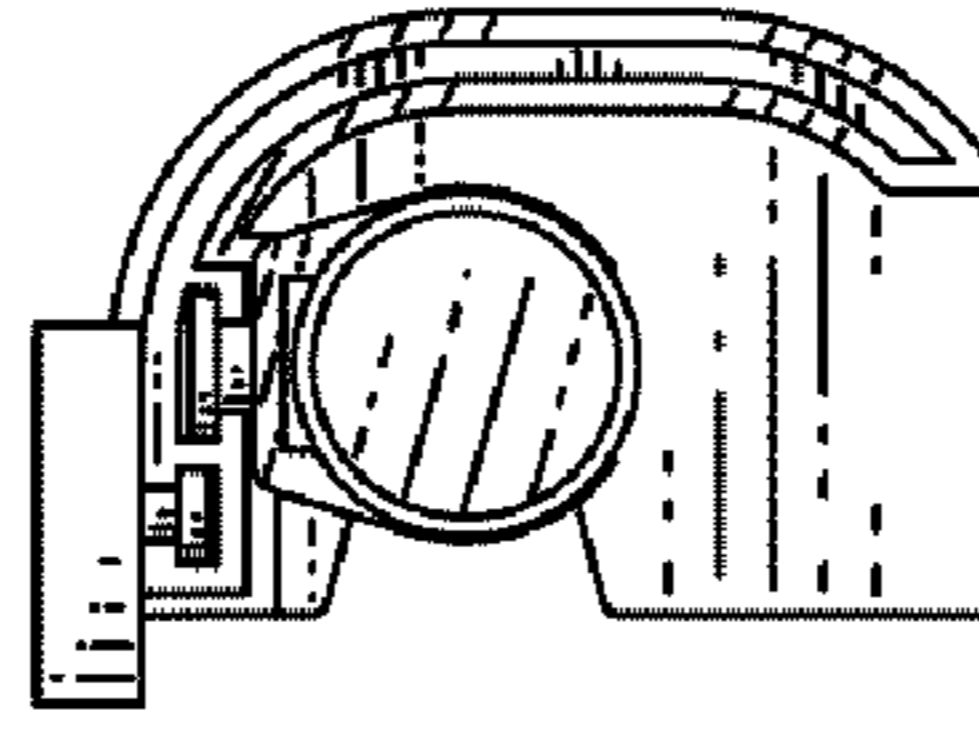


FIG. 4

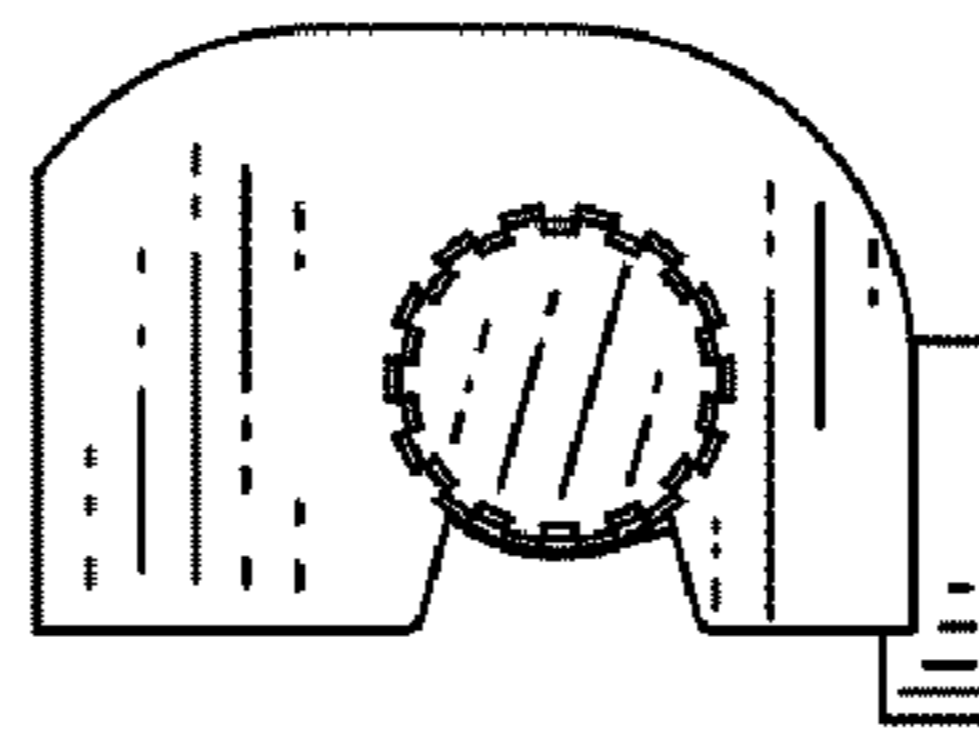


FIG. 5

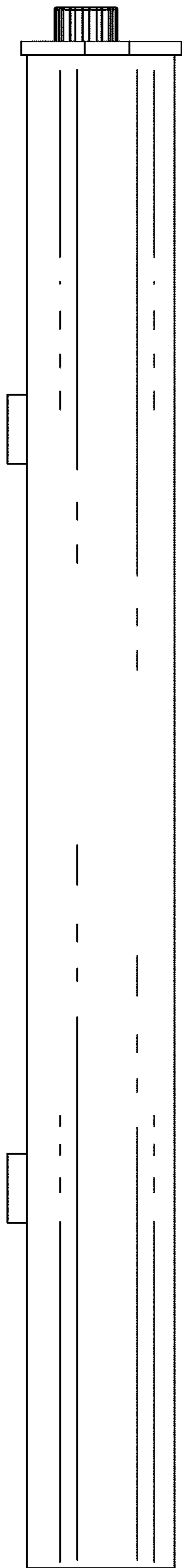


FIG. 6

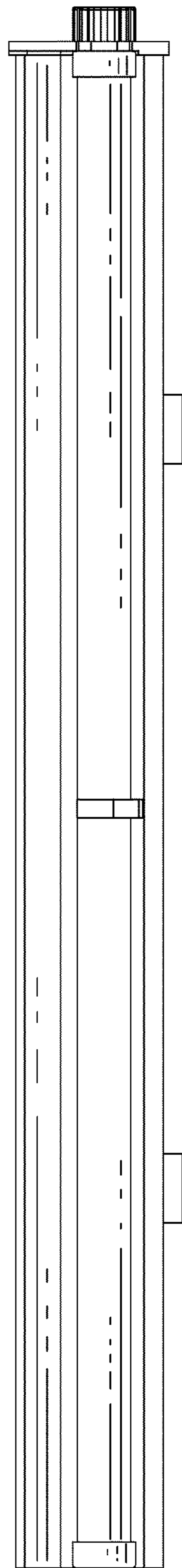


FIG. 7