



US00D646001S

(12) **United States Design Patent**  
**Blackman**

(10) **Patent No.:** **US D646,001 S**

(45) **Date of Patent:** **\*\* Sep. 27, 2011**

(54) **CANDLE HOLDER ADAPTER**

(76) Inventor: **Larry V. Blackman**, League City, TX  
(US)

(\*\*) Term: **14 Years**

(21) Appl. No.: **29/347,902**

(22) Filed: **Jul. 20, 2010**

(51) **LOC (9) Cl.** ..... **26-01**

(52) **U.S. Cl.** ..... **D26/23**

(58) **Field of Classification Search** ..... D26/6-23;  
D11/117, 121, 125, 131; 362/448; 431/297,  
431/295, 294, 293, 292

See application file for complete search history.

(56) **References Cited**

U.S. PATENT DOCUMENTS

D36,500	S	*	8/1903	Heisey	.....	D26/13
1,817,834	A	*	8/1931	Orme	.....	431/292
1,842,904	A	*	1/1932	Greenan	.....	431/294
D119,821	S	*	4/1940	Sheerer	.....	D26/67
D133,956	S		9/1942	Uhrmann		
D140,938	S	*	4/1945	Wade	.....	D26/14
2,478,864	A	*	8/1949	Dillon et al.	.....	431/156
2,741,110	A		4/1956	Thompson		
D328,356	S	*	7/1992	Wokeck	.....	D26/9
D508,742	S	*	8/2005	van Bekhoven	.....	D26/9

D631,578 S \* 1/2011 Barrett et al. .... D26/9  
2010/0291500 A1\* 11/2010 Barrett et al. .... 431/292  
\* cited by examiner

*Primary Examiner* — T. Chase Nelson  
*Assistant Examiner* — Ania Dworzecka  
(74) *Attorney, Agent, or Firm* — Richard C. Litman

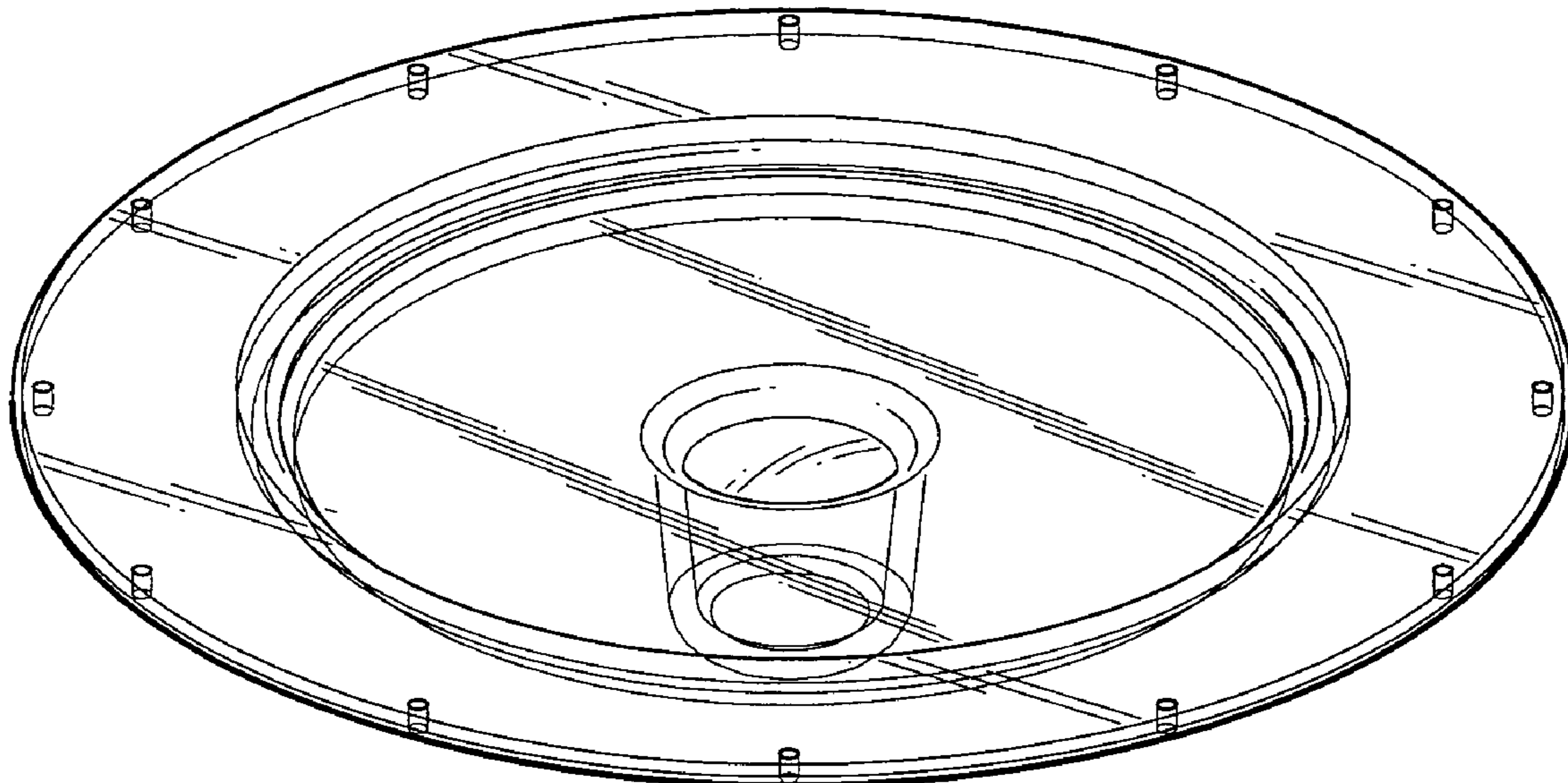
(57) **CLAIM**

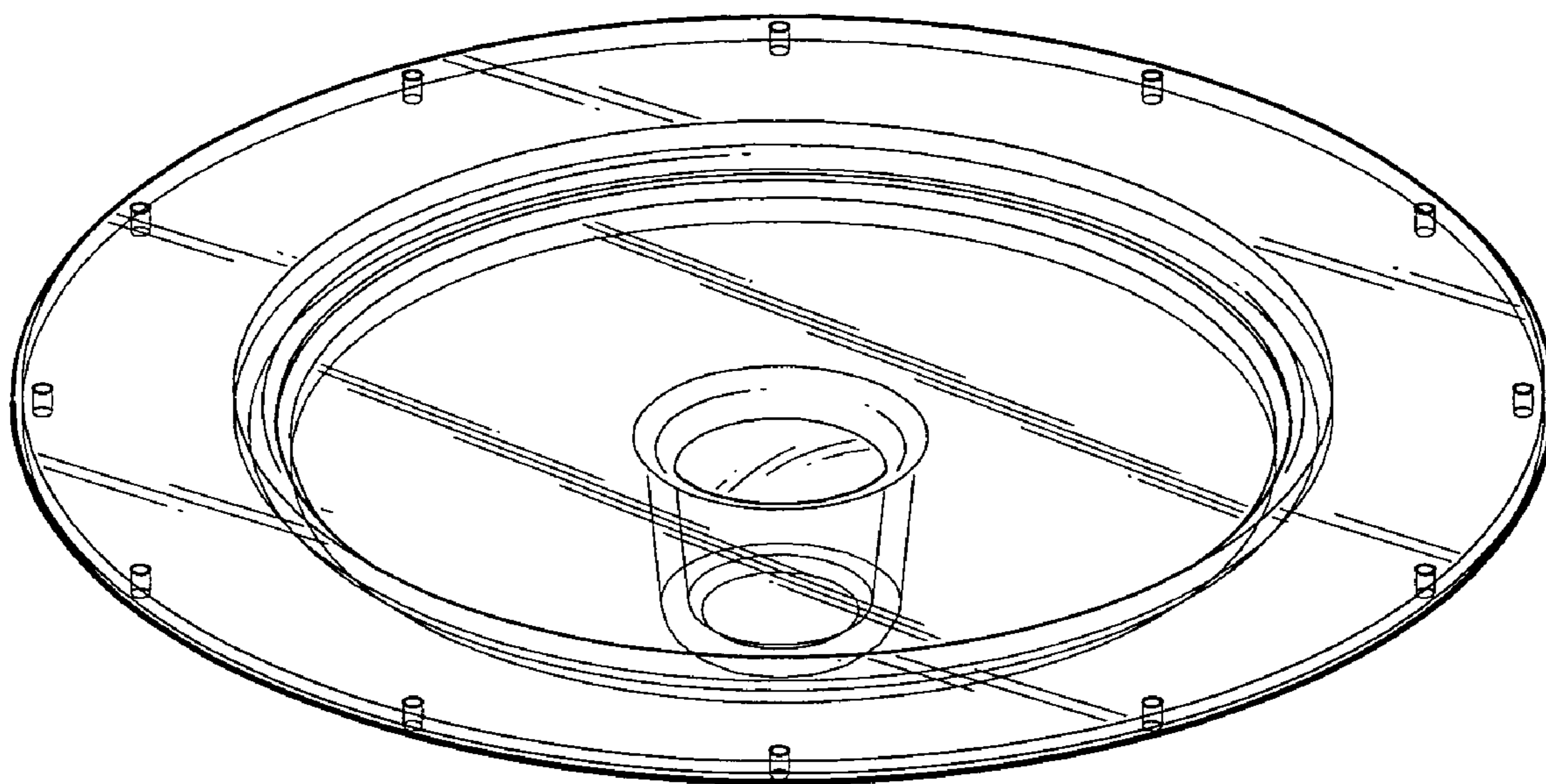
The ornamental design for a candle holder adapter, as shown and described.

**DESCRIPTION**

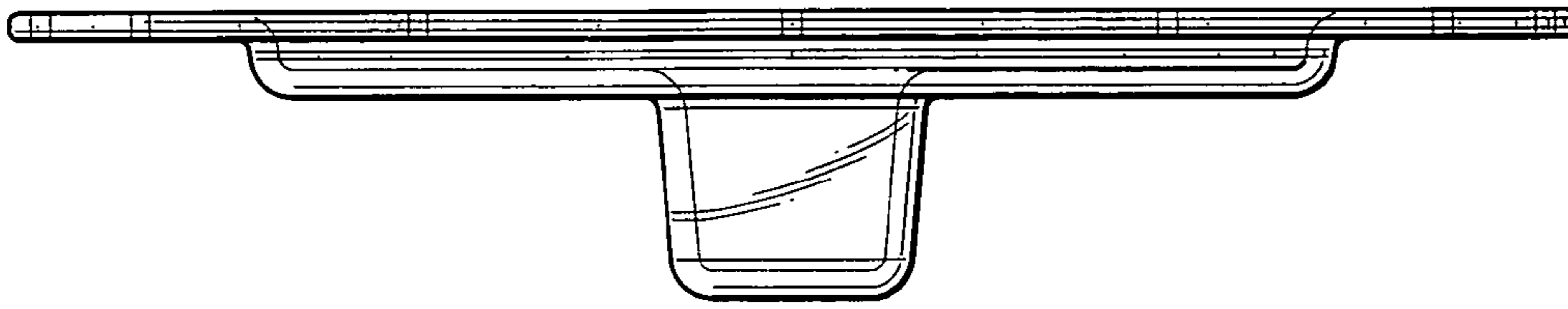
FIG. 1 is a perspective view of a first embodiment of a candle holder adapter, wherein the adapter is transparent, showing my new design;  
FIG. 2 is a front elevational view with the rear, left, and right elevational views being identical thereof;  
FIG. 3 is a top view thereof;  
FIG. 4 is a bottom view thereof;  
FIG. 5 is an environmental perspective view thereof;  
FIG. 6 is a perspective view of a second embodiment, wherein the adapter is opaque, thereof;  
FIG. 7 is a front elevational view with the rear, left, and right elevational views being identical thereof;  
FIG. 8 is a top view thereof;  
FIG. 9 is a bottom view thereof; and,  
FIG. 10 is an environmental perspective view thereof.  
The broken line showing of the candlestick, ornaments, and candle in FIGS. 5 and 10 is for illustrative purposes only and forms no part of the claimed design.

**1 Claim, 8 Drawing Sheets**

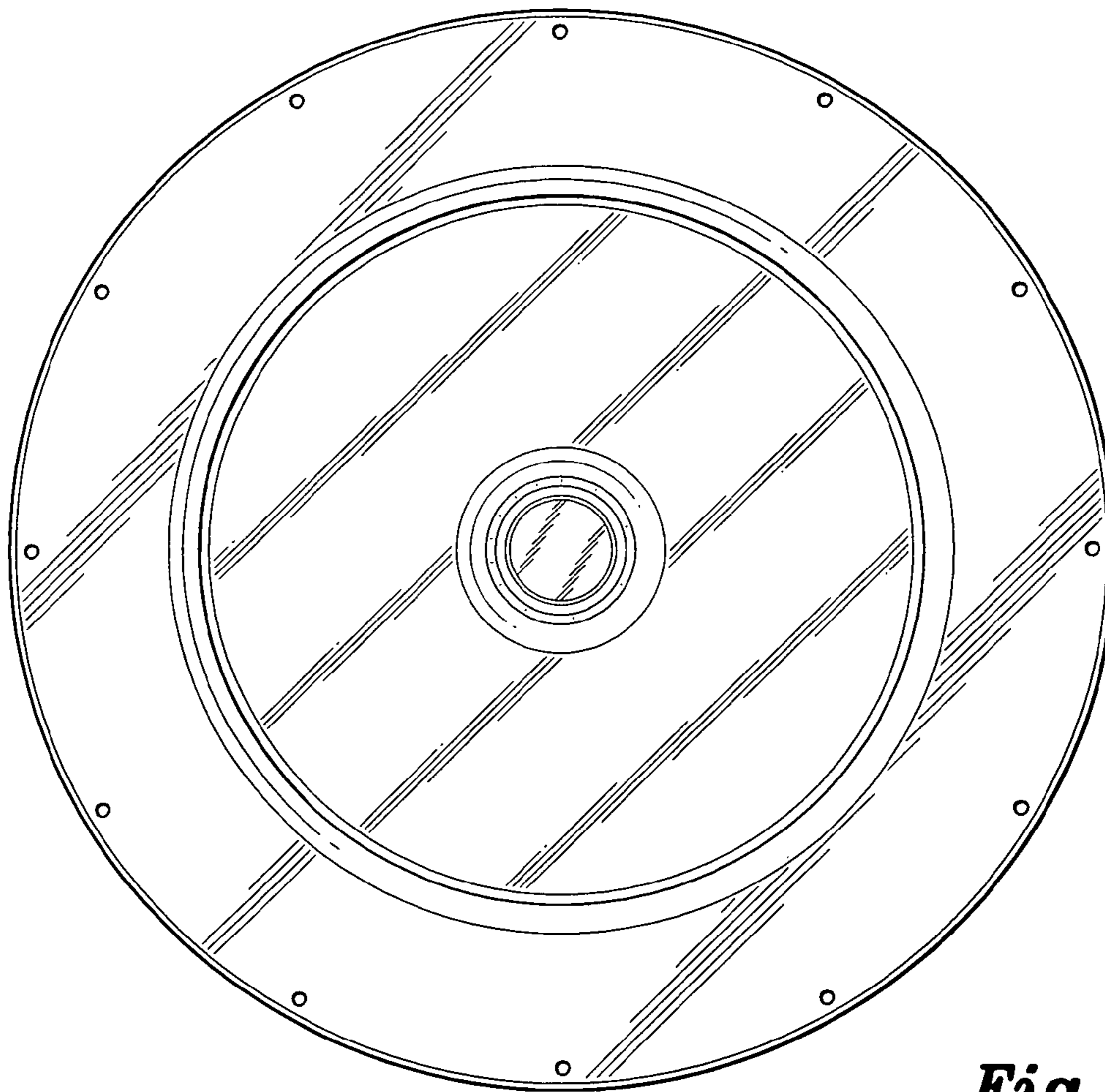




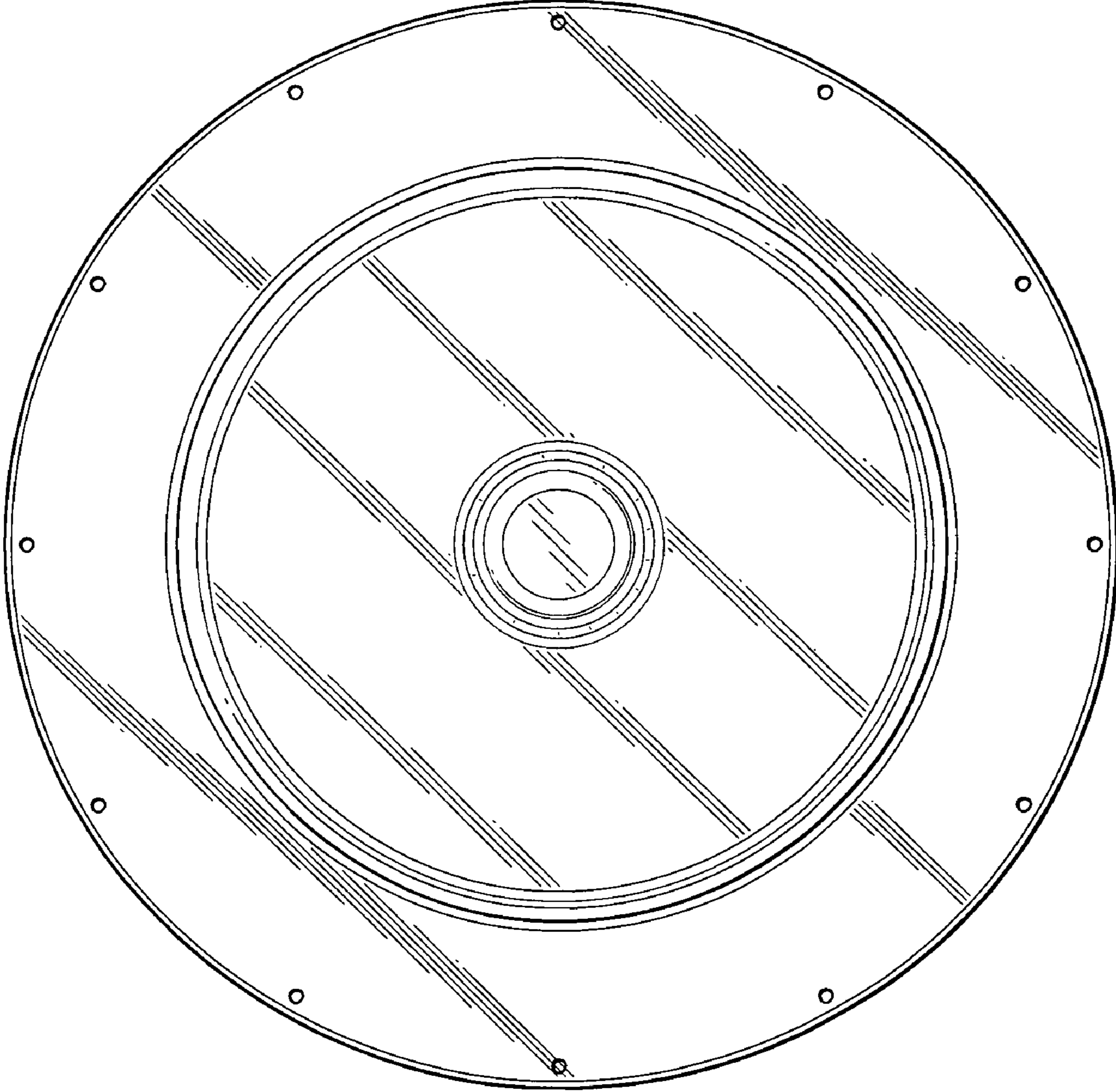
*Fig. 1*



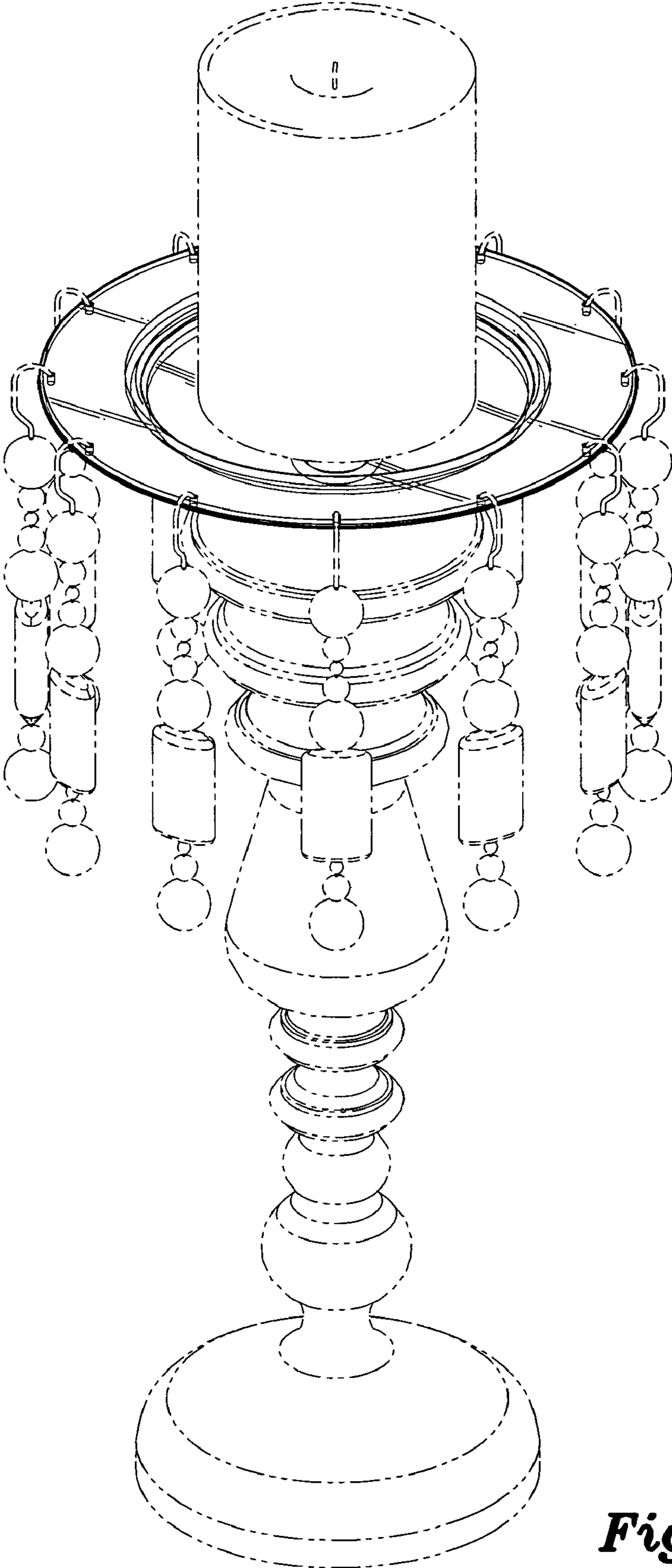
*Fig. 2*



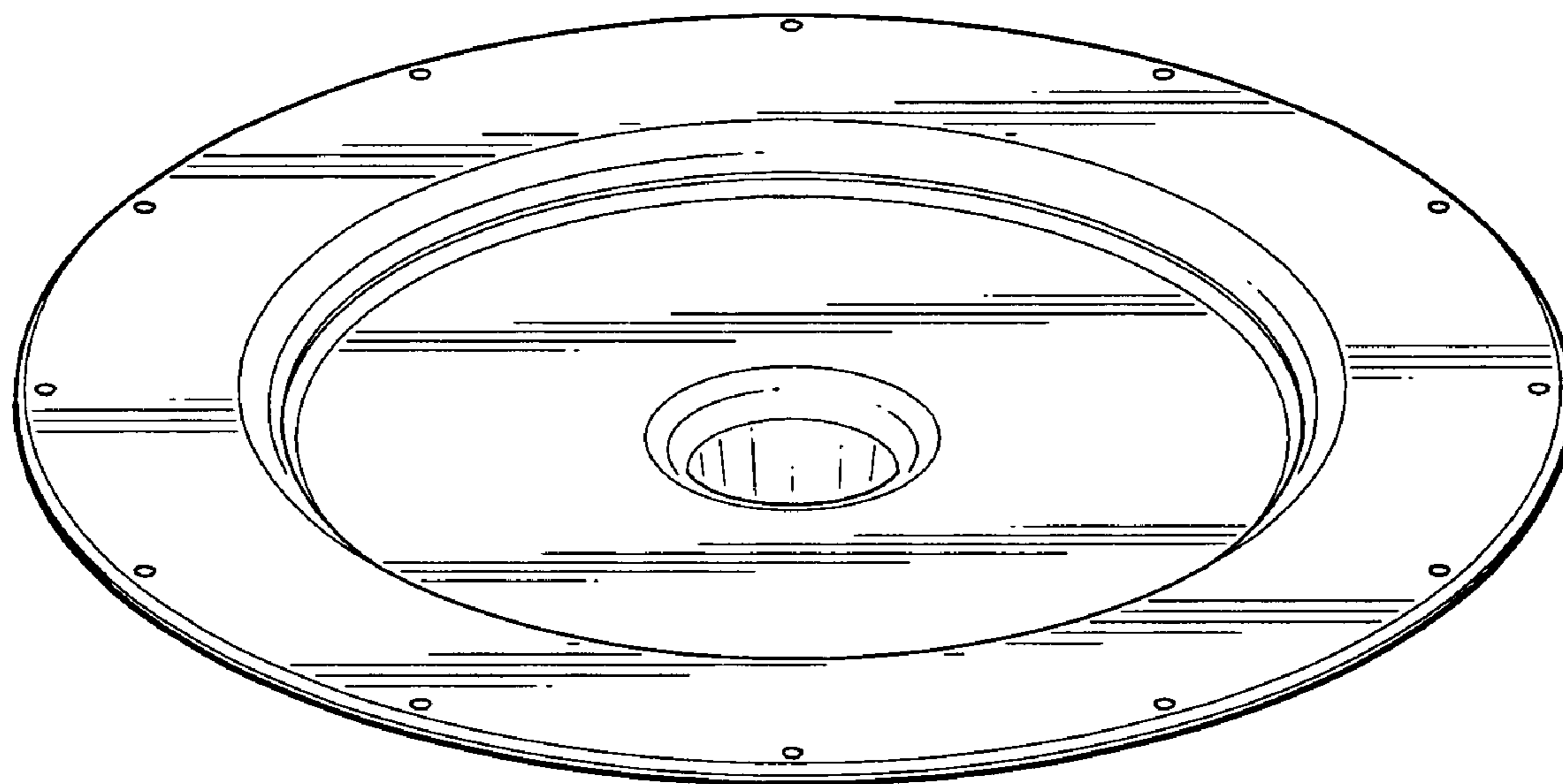
*Fig. 3*



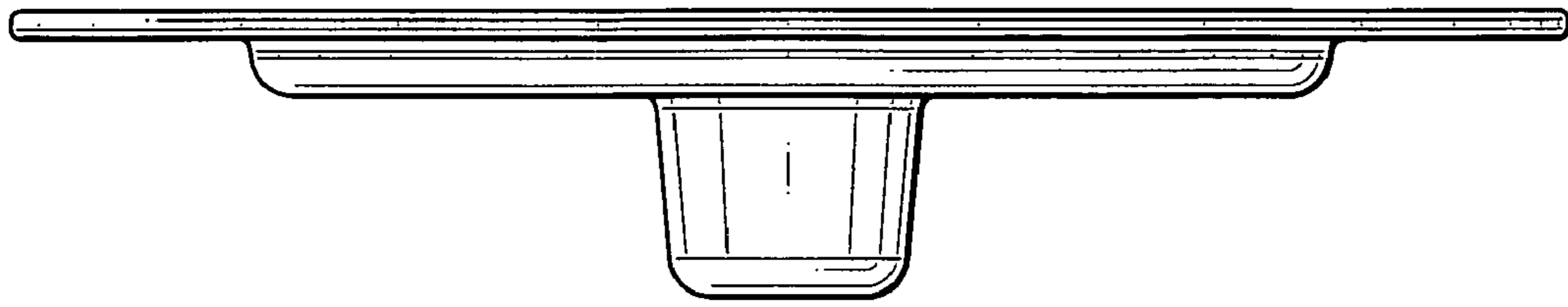
*Fig. 4*



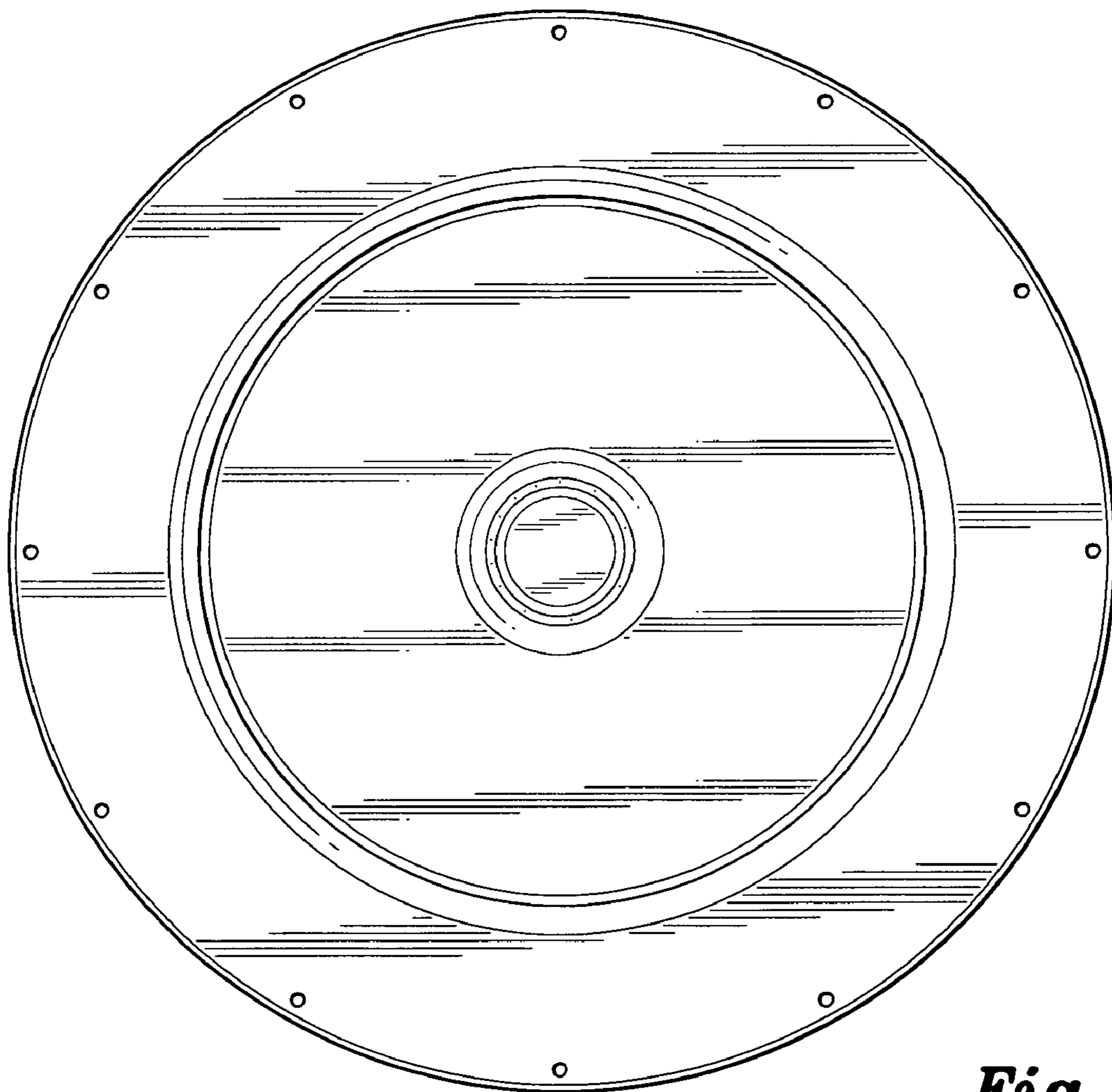
**Fig. 5**



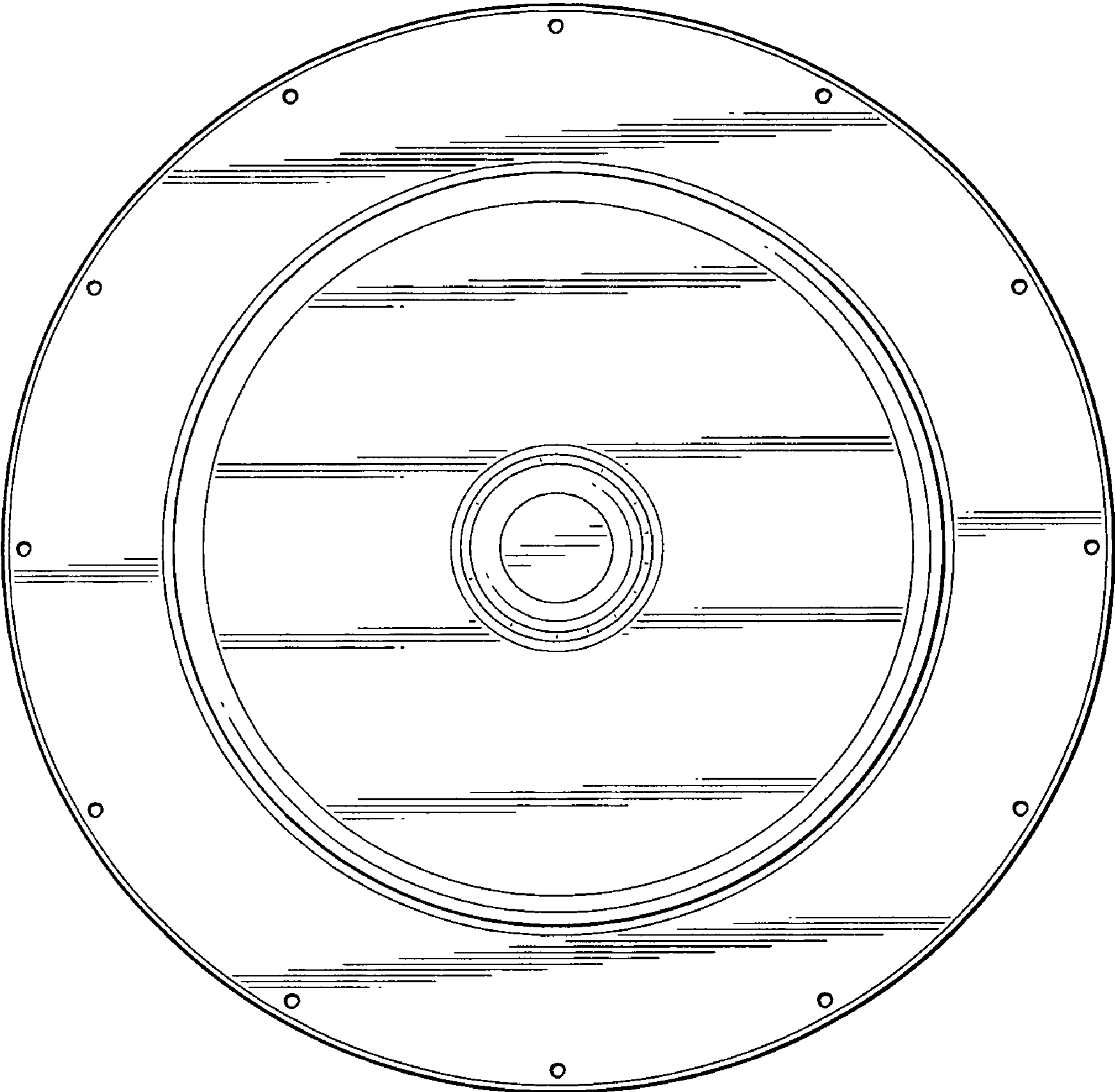
***Fig. 6***



*Fig. 7*

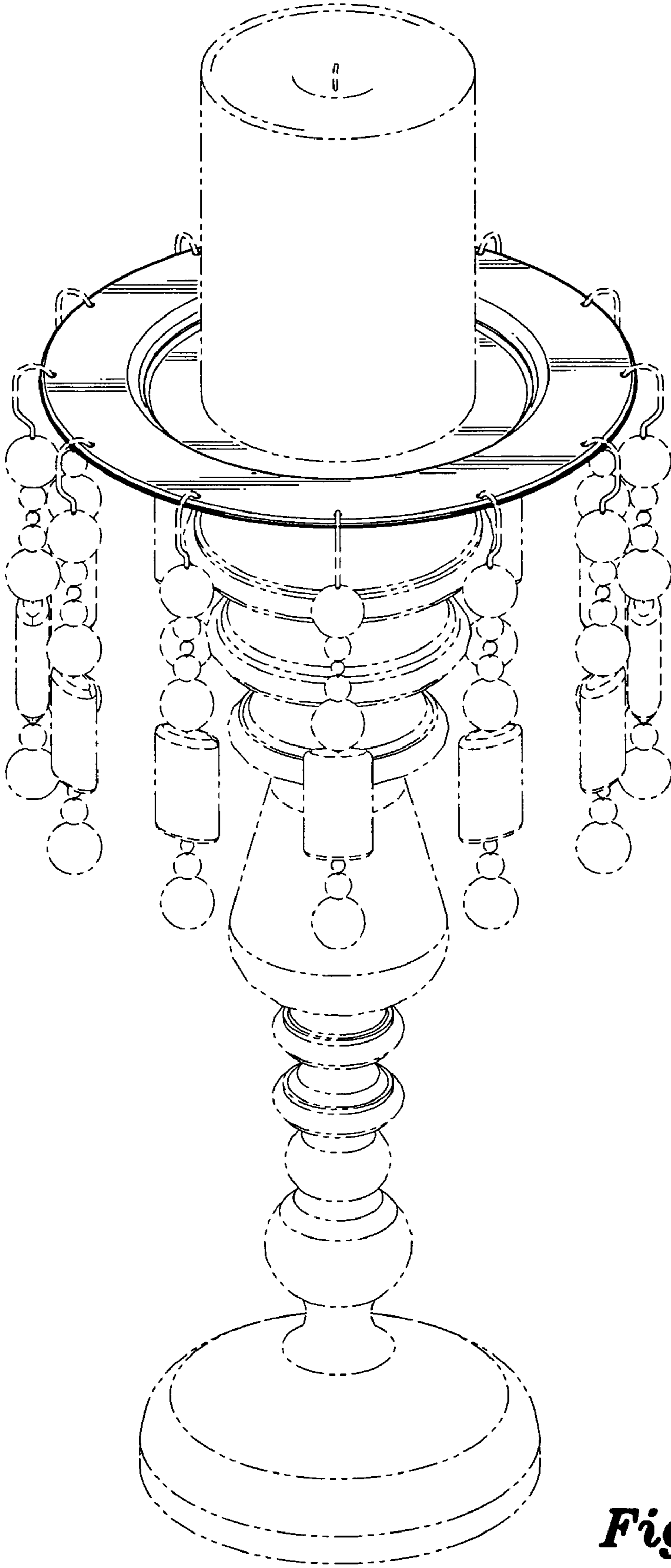


*Fig. 8*



***Fig. 9***





**Fig. 10**