



US00D645996S

(12) **United States Design Patent**
Wey et al.

(10) **Patent No.:** **US D645,996 S**

(45) **Date of Patent:** **** Sep. 27, 2011**

(54) **LED BULB**

(75) Inventors: **James Wey**, Shanghai (CN); **Amir Peng**, Shanghai (CN)

(73) Assignee: **Homelite Limited (Jiangsu)**, Suqian, Jiangsu Province (CN)

(**) Term: **14 Years**

(21) Appl. No.: **29/386,773**

(22) Filed: **Mar. 4, 2011**

(30) **Foreign Application Priority Data**

Sep. 7, 2010 (CN) 2010 3 0508861

(51) **LOC (9) Cl.** **26-04**

(52) **U.S. Cl.** **D26/2**

(58) **Field of Classification Search** D26/1-4;
313/313, 315, 316, 317, 318, 493; 315/52,
315/53, 56, 57, 58

See application file for complete search history.

(56) **References Cited**

U.S. PATENT DOCUMENTS

D435,577 S *	12/2000	McBride	D16/203
D532,532 S *	11/2006	Maxik	D26/2
D566,300 S *	4/2008	Lo	D26/2
D581,555 S *	11/2008	To et al.	D26/2
D584,838 S *	1/2009	To et al.	D26/2
D610,271 S *	2/2010	Bi	D26/2

* cited by examiner

Primary Examiner — Marcus Jackson

(74) *Attorney, Agent, or Firm* — The Nath Law Group; Jerald L. Meyer; Jiaxiao Zhang

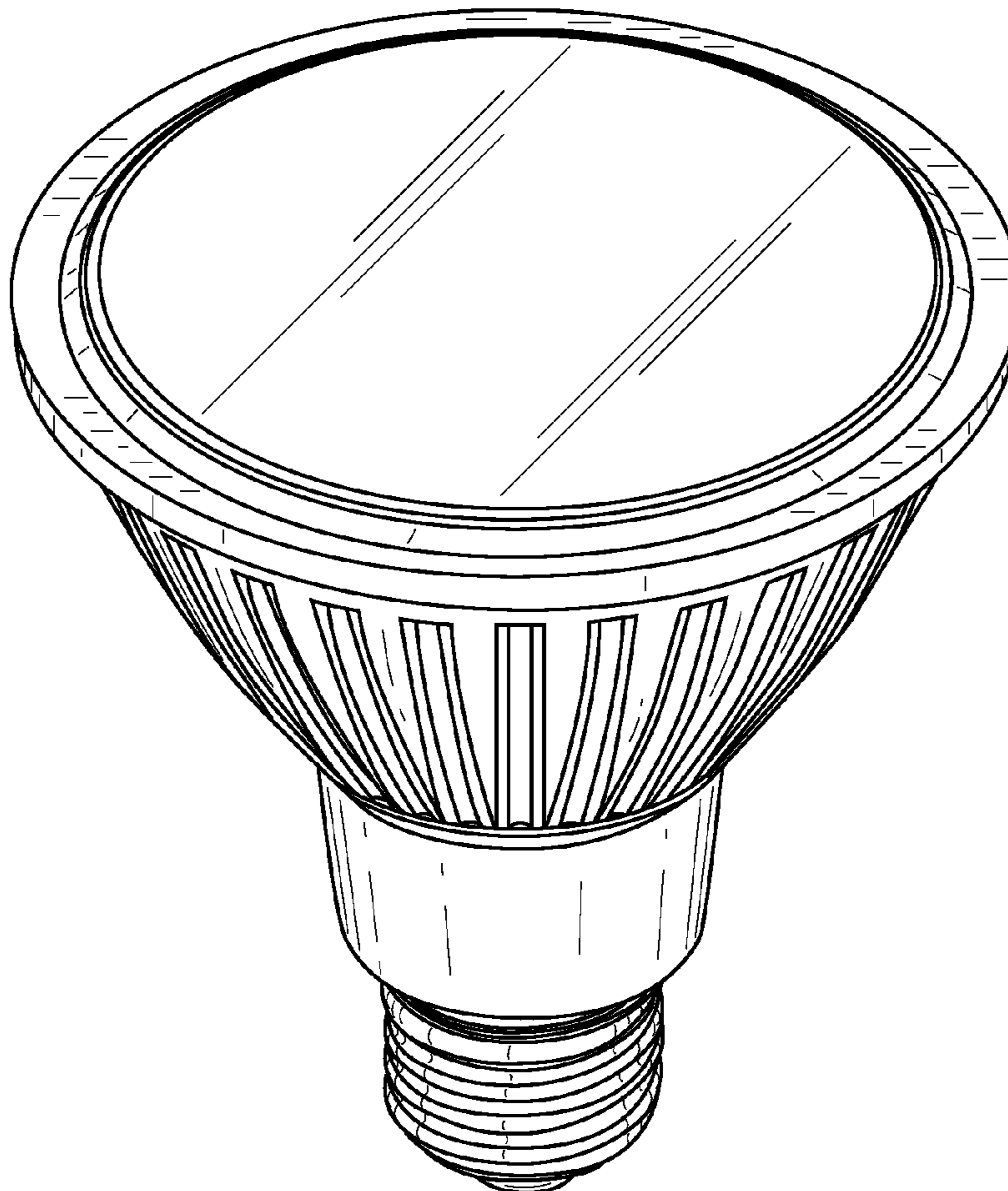
(57) **CLAIM**

The ornamental design for a LED bulb, as shown and described.

DESCRIPTION

FIG. 1 is a front view of a LED bulb showing our new design; FIG. 2 is a left view of the LED bulb of FIG. 1; FIG. 3 is a right view of the LED bulb of FIG. 1; FIG. 4 is a top view of the LED bulb of FIG. 1; FIG. 5 is a bottom view of the LED bulb of FIG. 1; and, FIG. 6 is a perspective view of the LED bulb of FIG. 1.

1 Claim, 6 Drawing Sheets



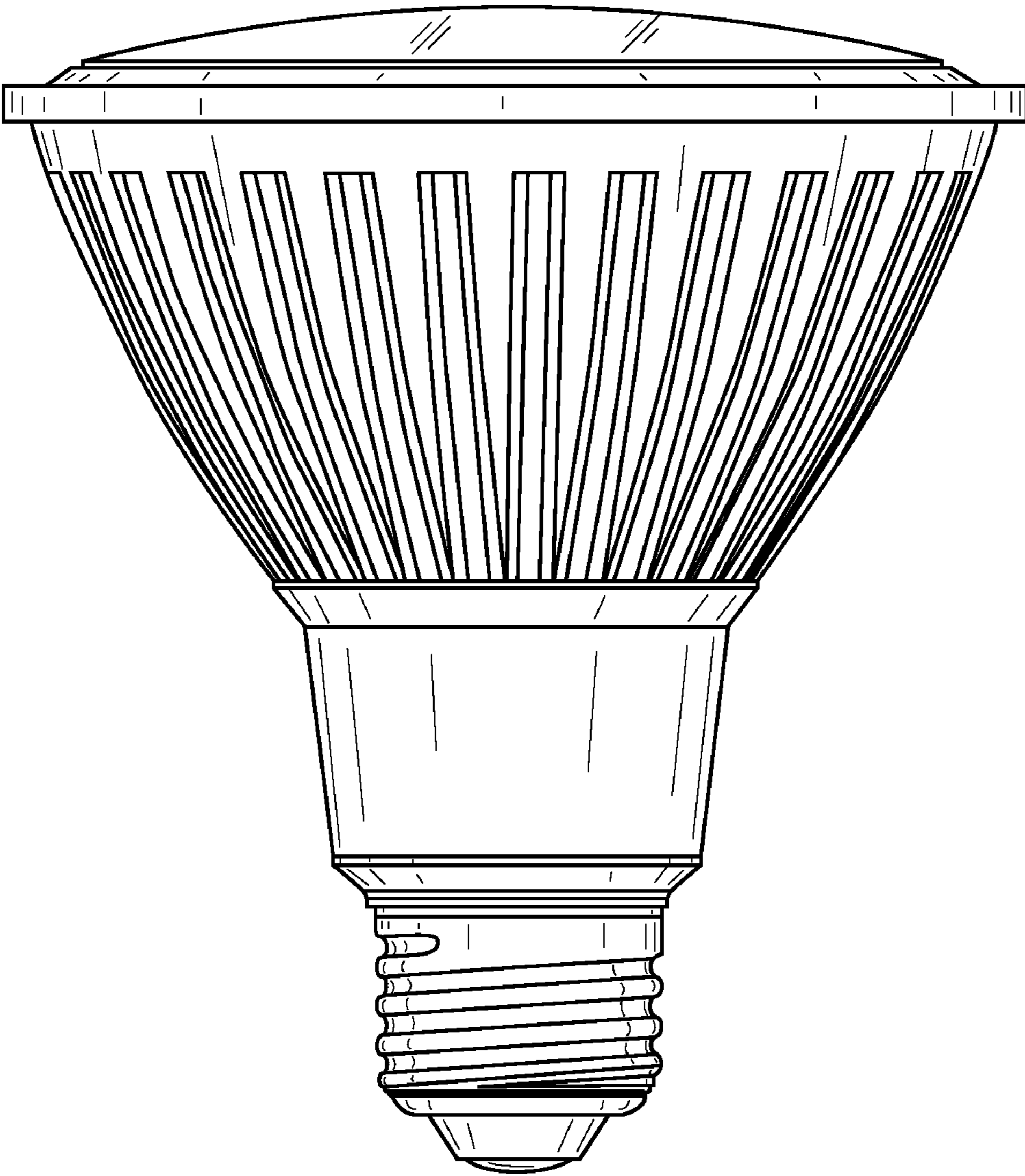


FIG. 1

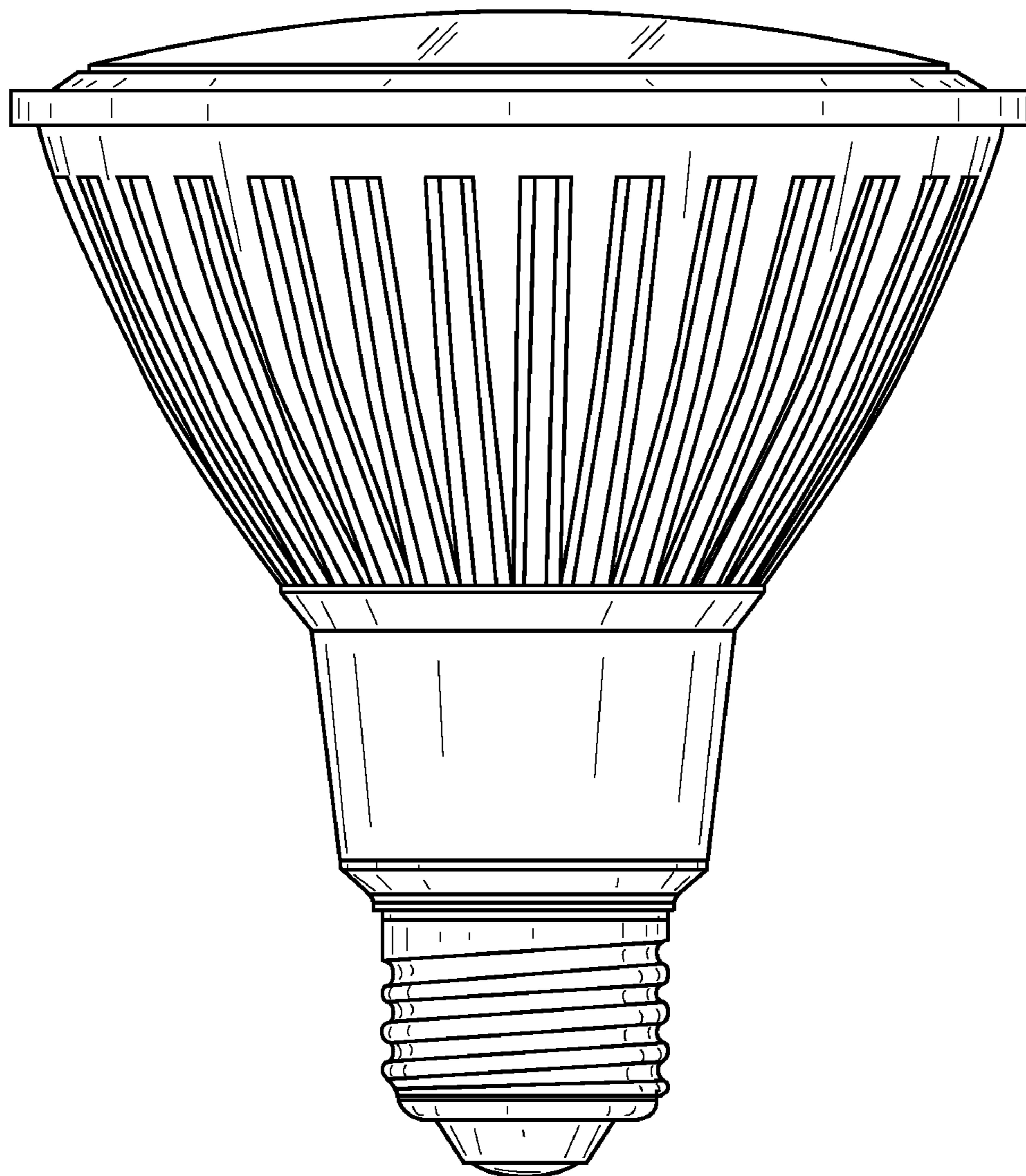


FIG. 2

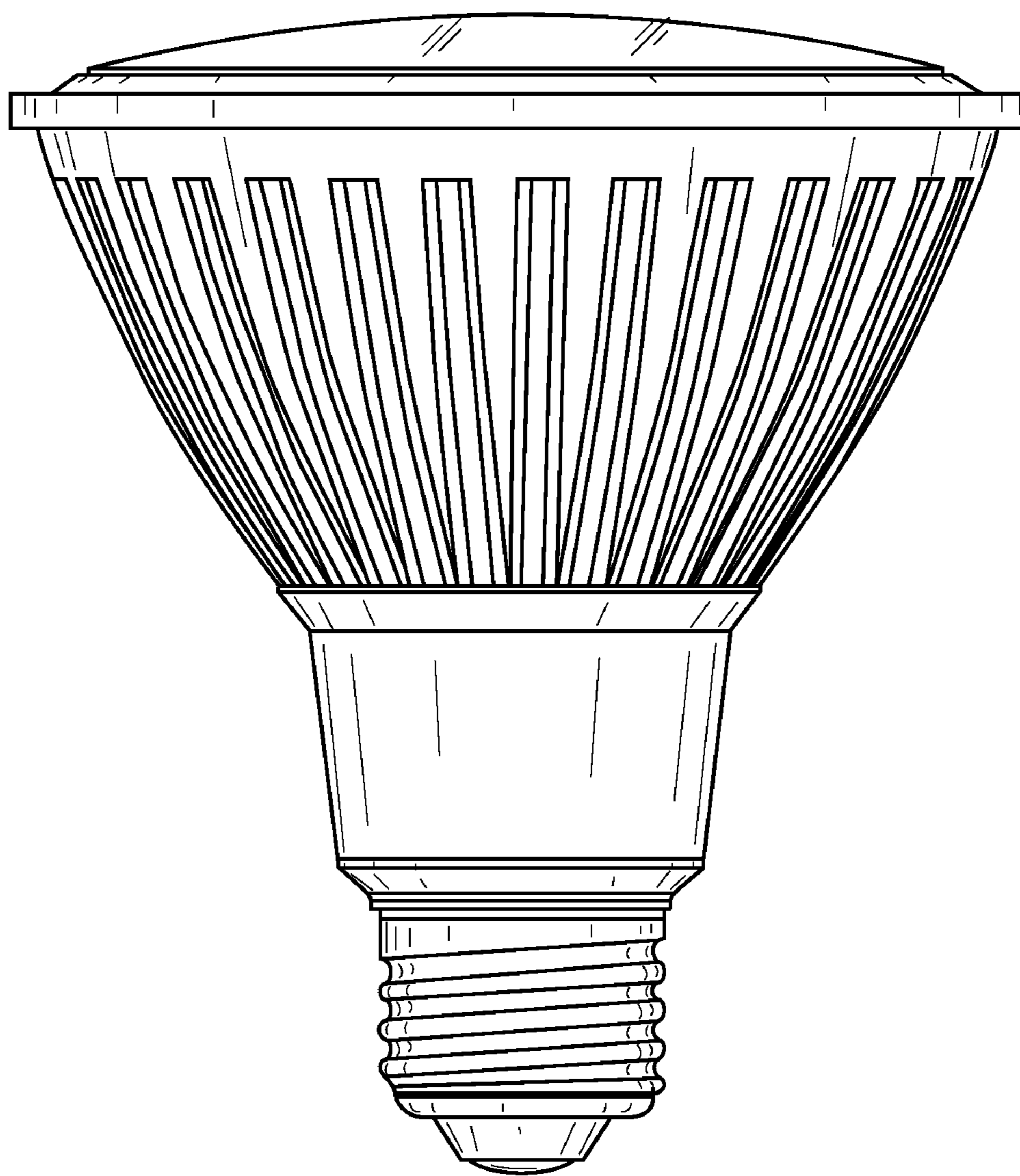


FIG. 3

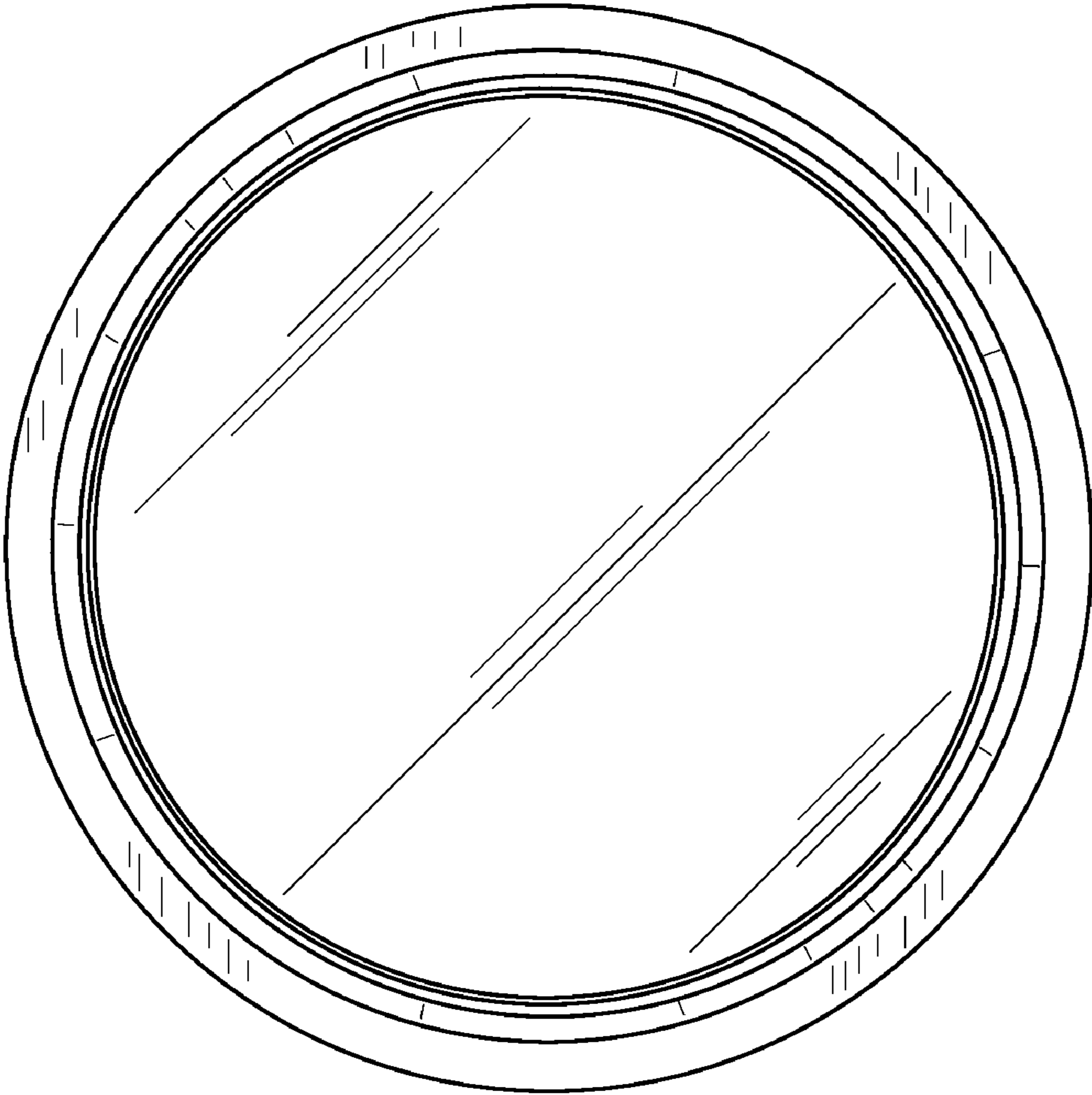


FIG. 4

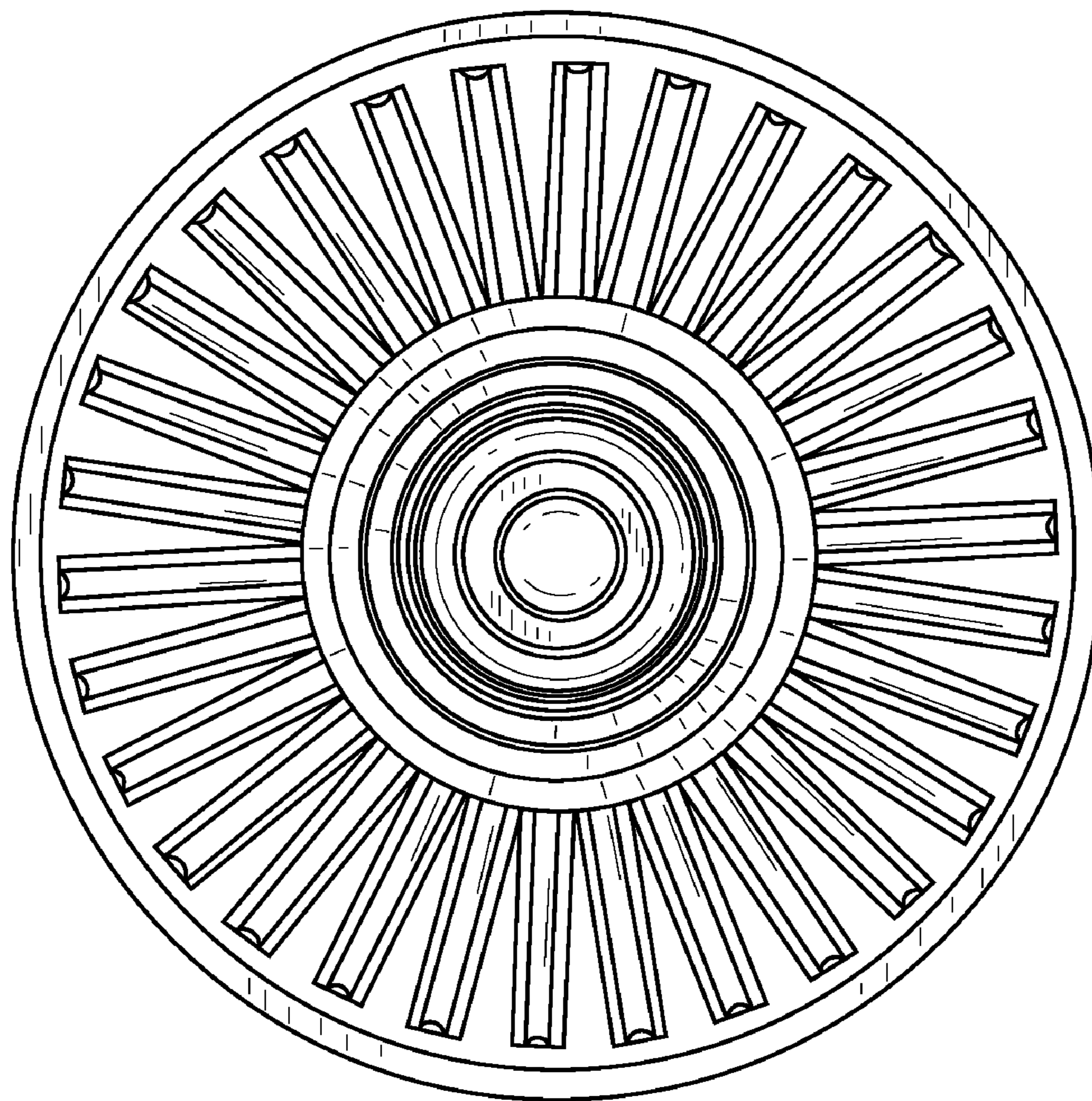


FIG. 5

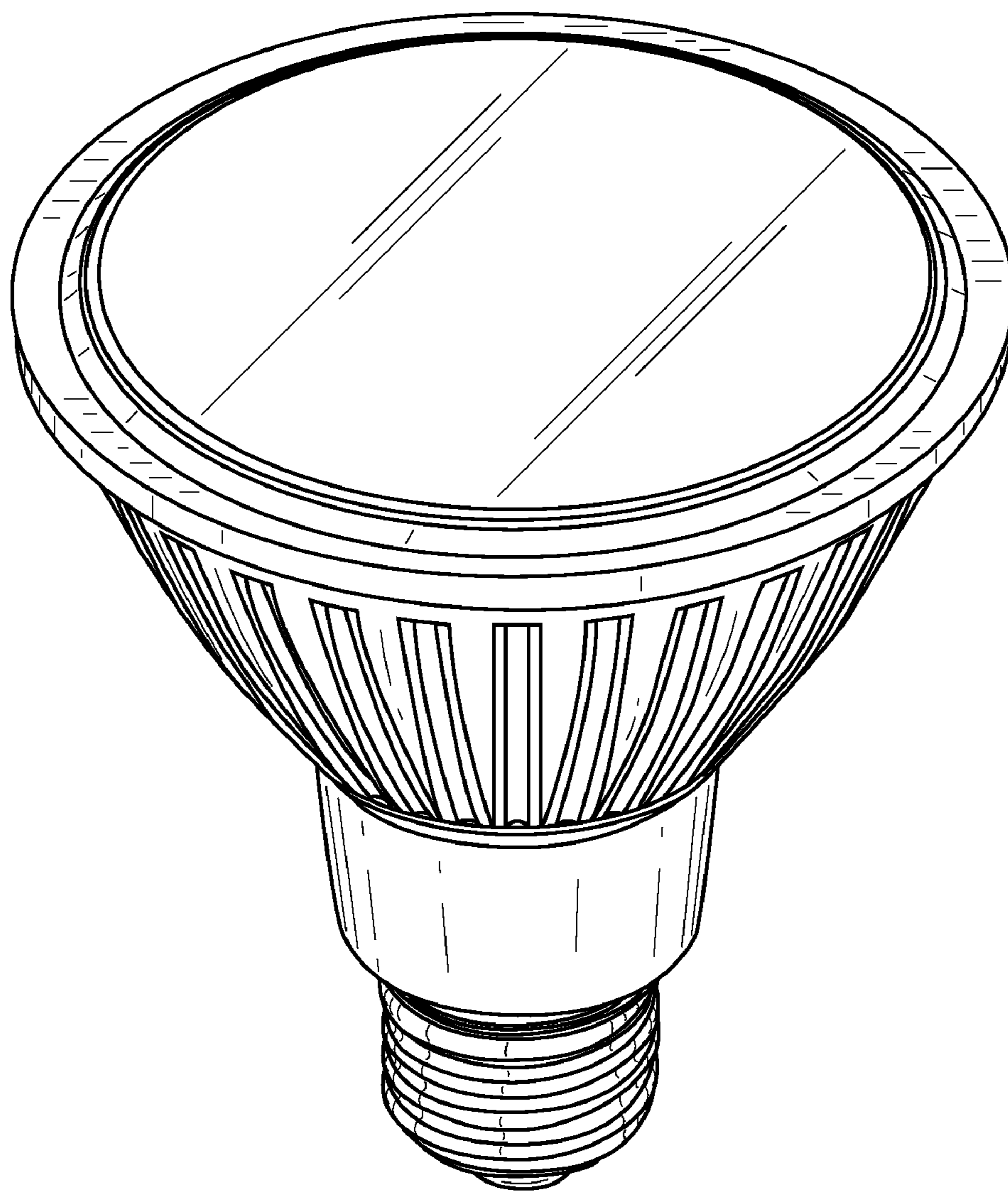


FIG. 6