



US00D645994S

(12) **United States Design Patent**
Crobeck

(10) **Patent No.:** **US D645,994 S**

(45) **Date of Patent:** **** Sep. 27, 2011**

(54) **LAMP**

(76) Inventor: **Jan Crobeck**, Vremde (BE)

(**) Term: **14 Years**

(21) Appl. No.: **29/385,112**

(22) Filed: **Feb. 9, 2011**

(30) **Foreign Application Priority Data**

Aug. 12, 2010 (EM) 001743030

(51) **LOC (9) Cl.** **26-04**

(52) **U.S. Cl.** **D26/2**

(58) **Field of Classification Search** D26/1-4;
313/313, 315, 316, 317, 318, 493; 315/52,
315/53, 56, 57, 58

See application file for complete search history.

(56) **References Cited**

U.S. PATENT DOCUMENTS

D543,288 S * 5/2007 Bembridge D26/2
D543,644 S * 5/2007 Bembridge D26/2

D544,109 S * 6/2007 Tsuruha et al. D26/2
D549,360 S * 8/2007 An D26/2
D558,904 S * 1/2008 Tsuruha et al. D26/2
D579,130 S * 10/2008 Hernandez et al. D26/2
D600,368 S * 9/2009 Bertram et al. D26/2
D610,272 S * 2/2010 Guo et al. D26/2

* cited by examiner

Primary Examiner — Marcus Jackson

(74) *Attorney, Agent, or Firm* — Bacon & Thomas PLLC

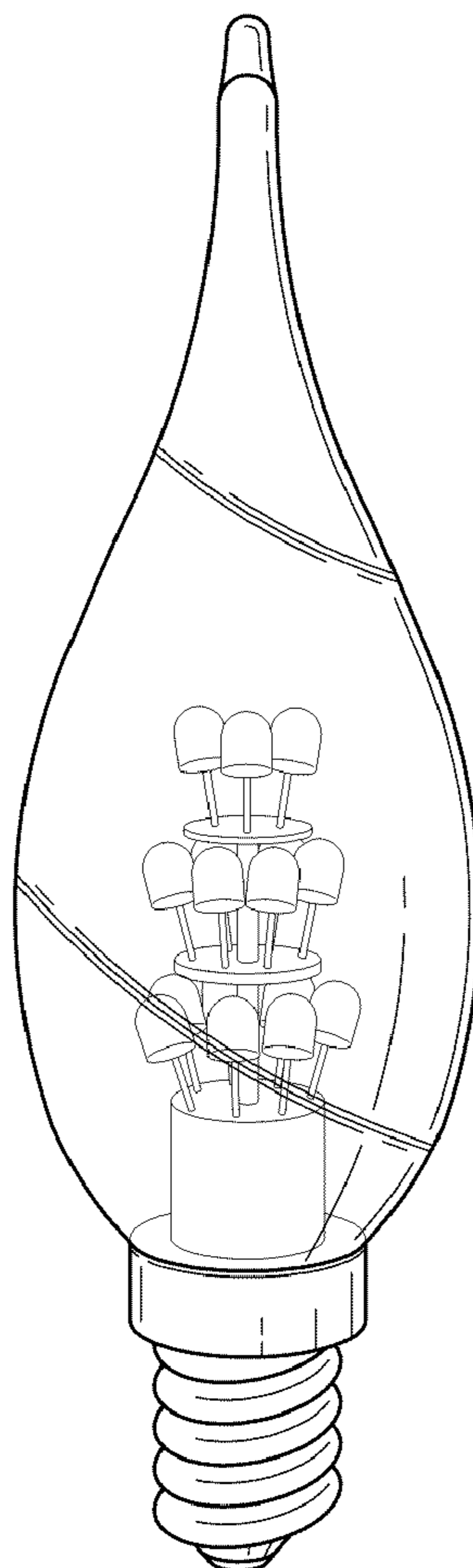
(57) **CLAIM**

The ornamental design for a lamp, as shown and described.

DESCRIPTION

FIG. 1 is a front perspective view of the lamp of my design;
FIG. 2 is a front elevation view thereof;
FIG. 3 is a top plan view thereof;
FIG. 4 is a bottom view thereof;
FIG. 5 is a left side view thereof;
FIG. 6 is a right side view thereof; and,
FIG. 7 is a rear elevation view thereof.

1 Claim, 2 Drawing Sheets



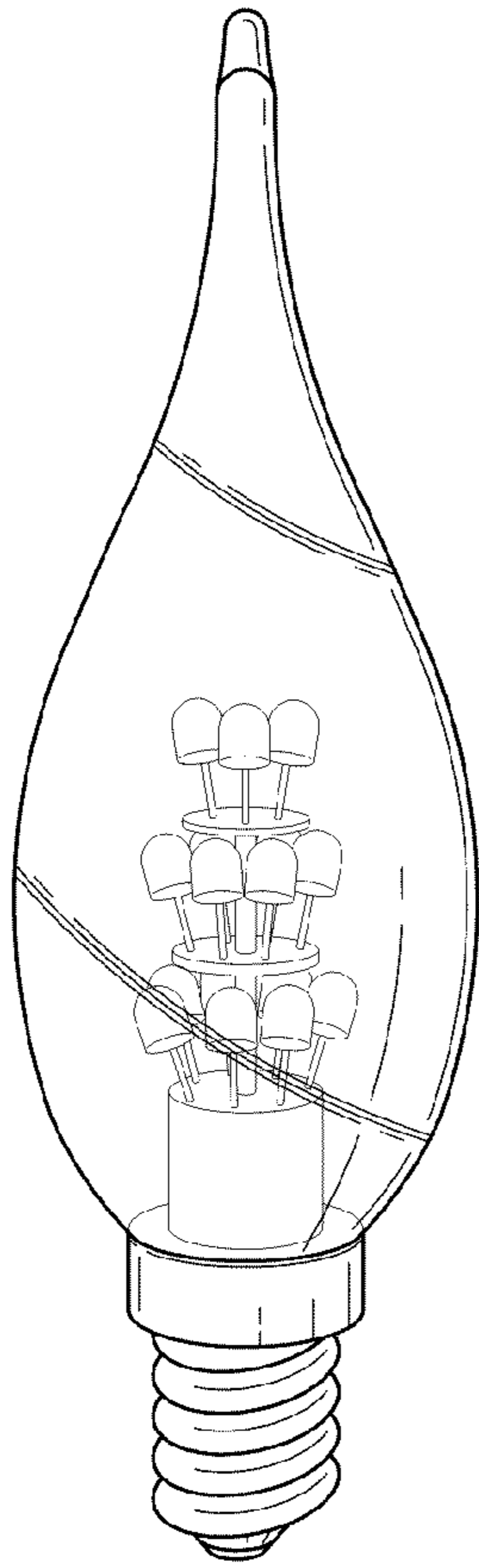


FIG. 1

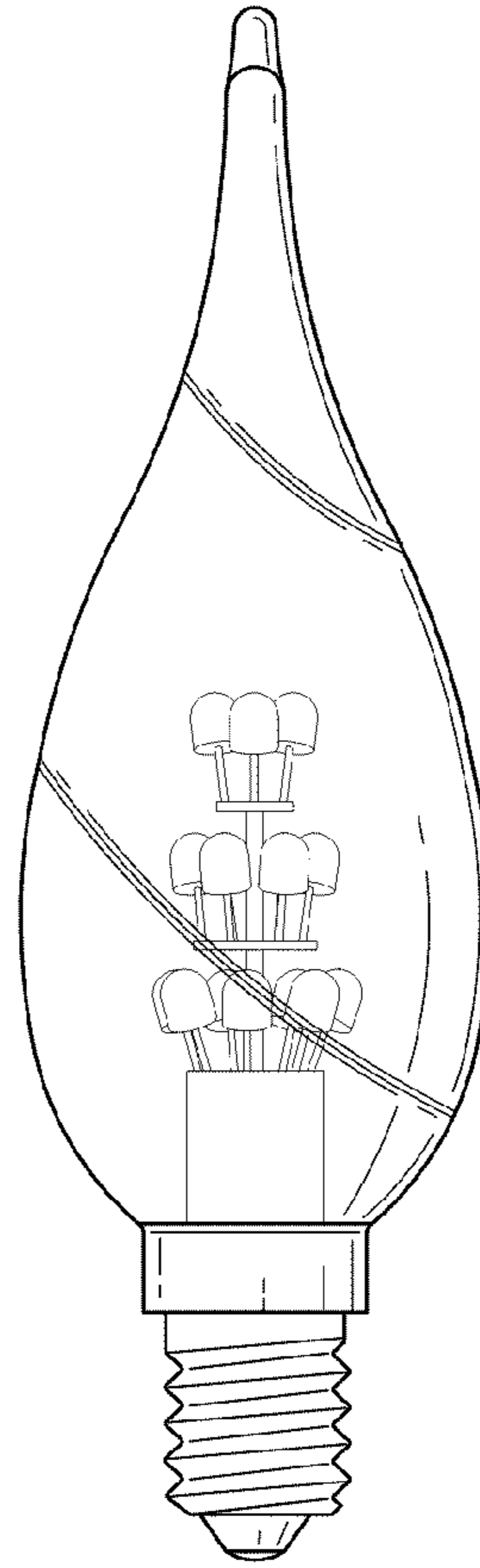


FIG. 2

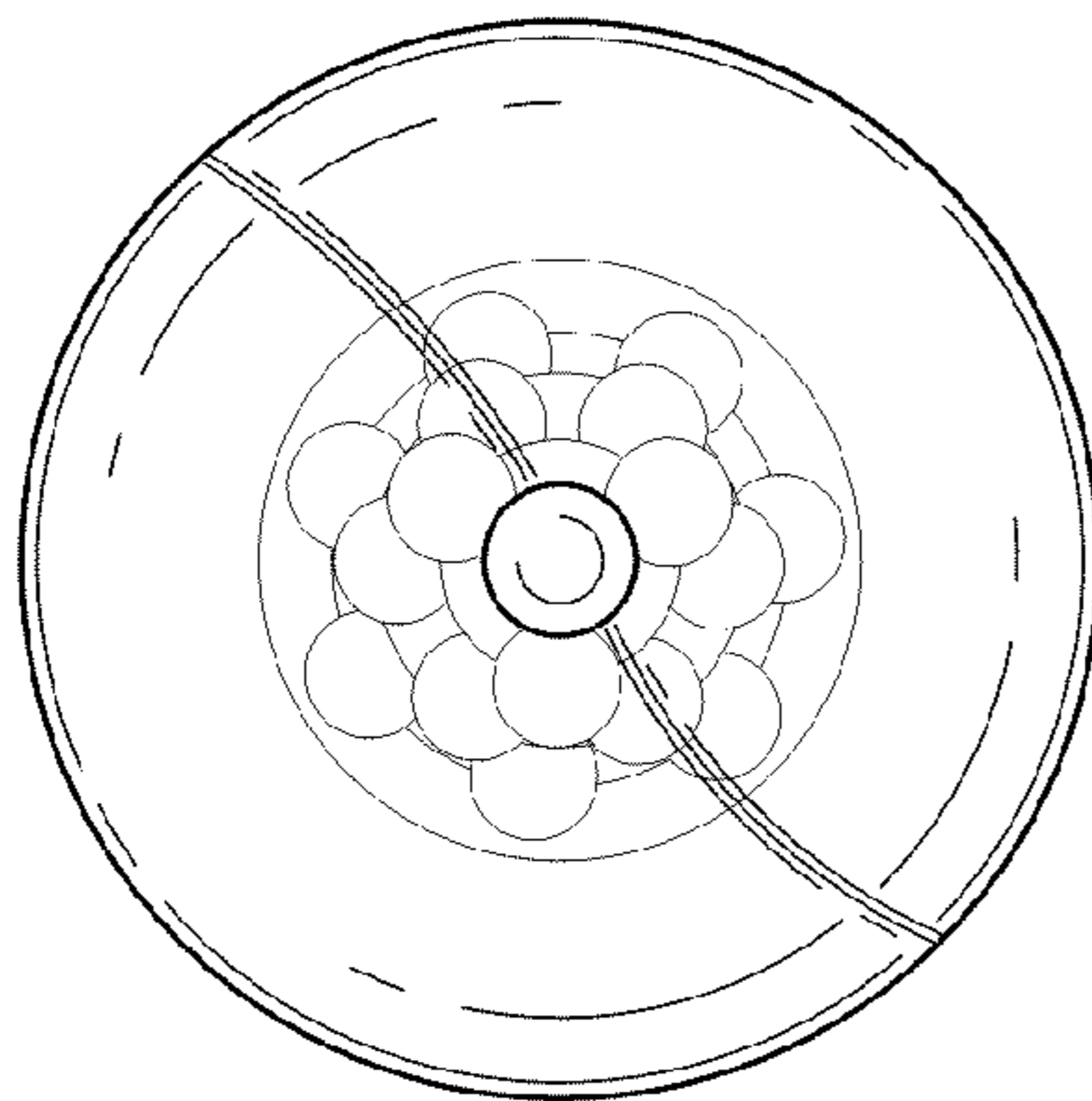


FIG. 3

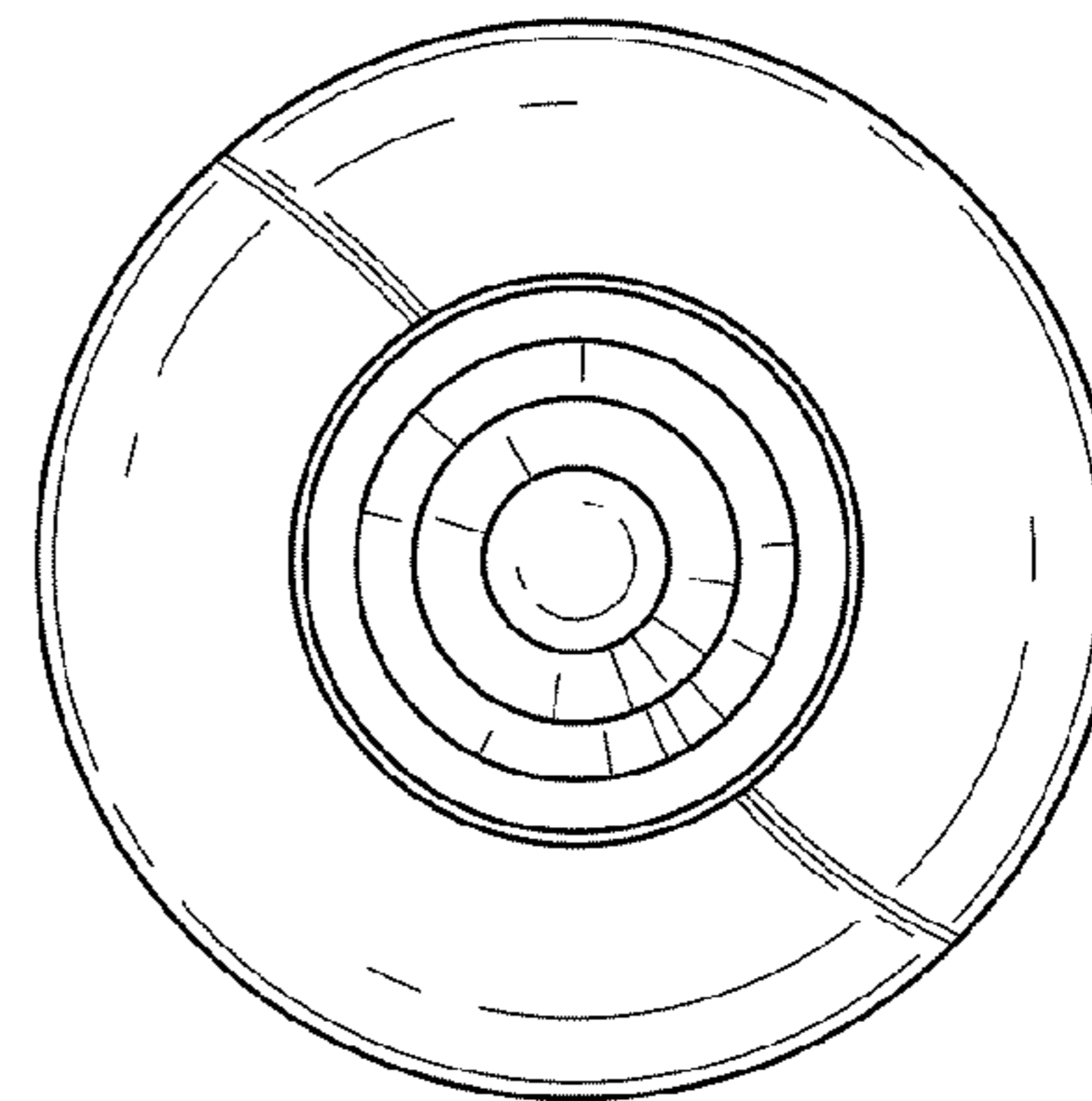


FIG. 4

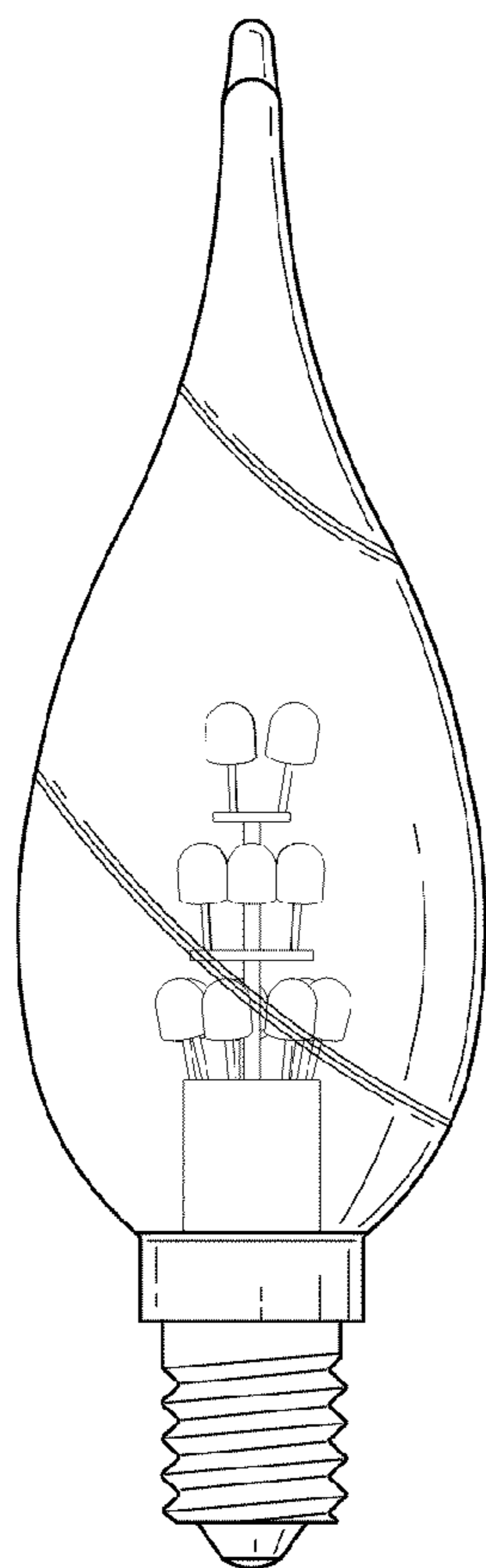


FIG. 5

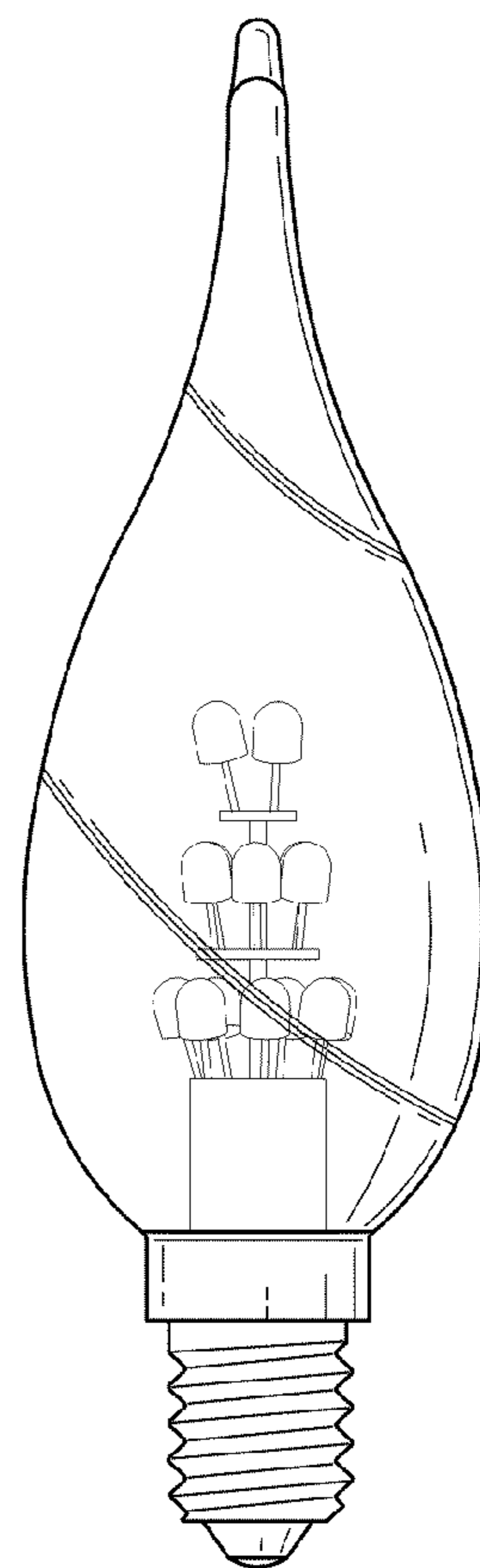


FIG. 6

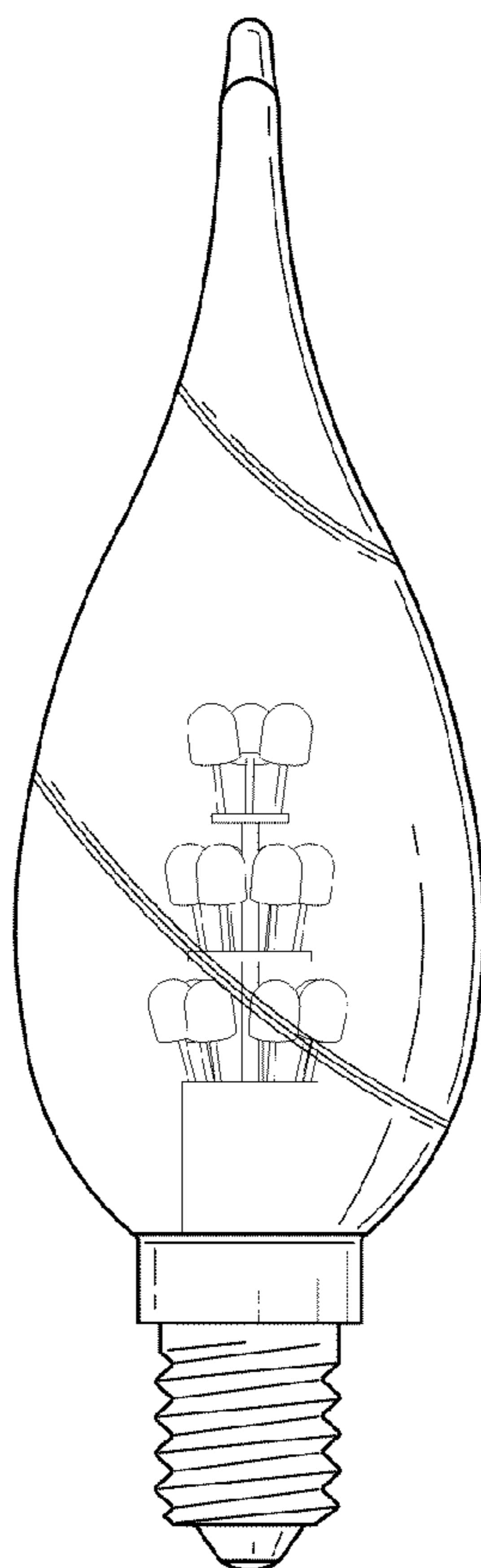


FIG. 7