



US00D645992S

(12) **United States Design Patent**
Ko et al.

(10) **Patent No.:** **US D645,992 S**

(45) **Date of Patent:** **** Sep. 27, 2011**

(54) **LED LAMP**

D617,918 S * 6/2010 Yamamoto et al. D26/2
D628,320 S * 11/2010 Yamamoto D26/2
D632,409 S * 2/2011 Qiu D26/2

(75) Inventors: **Hao-Wen Ko**, Taoyuan Hsien (TW);
Wen-Hsing Chiang, Taoyuan Hsien
(TW); **Yu-Shu Lin**, Taoyuan Hsien (TW)

* cited by examiner

(73) Assignee: **Delta Electronics, Inc.**, Taoyuan Hsien
(TW)

Primary Examiner — Marcus Jackson

(74) *Attorney, Agent, or Firm* — Muncy, Geissler, Olds &
Lowe, PLLC

(**) Term: **14 Years**

(57) **CLAIM**

(21) Appl. No.: **29/379,100**

The ornamental design for a LED lamp, as shown and
described.

(22) Filed: **Nov. 15, 2010**

(51) **LOC (9) Cl.** **26-04**

(52) **U.S. Cl.** **D26/2**

(58) **Field of Classification Search** D26/1-4;
313/313, 315, 316, 317, 318, 493; 315/52,
315/53, 56, 57, 58

See application file for complete search history.

DESCRIPTION

FIG. 1 is an elevational view of a flashlight showing our new
design;

FIG. 2 is a front elevational view thereof;

FIG. 3 is a rear elevational view thereof;

FIG. 4 is a left side elevational view thereof;

FIG. 5 is a right side elevational view thereof;

FIG. 6 is a top elevational view thereof; and,

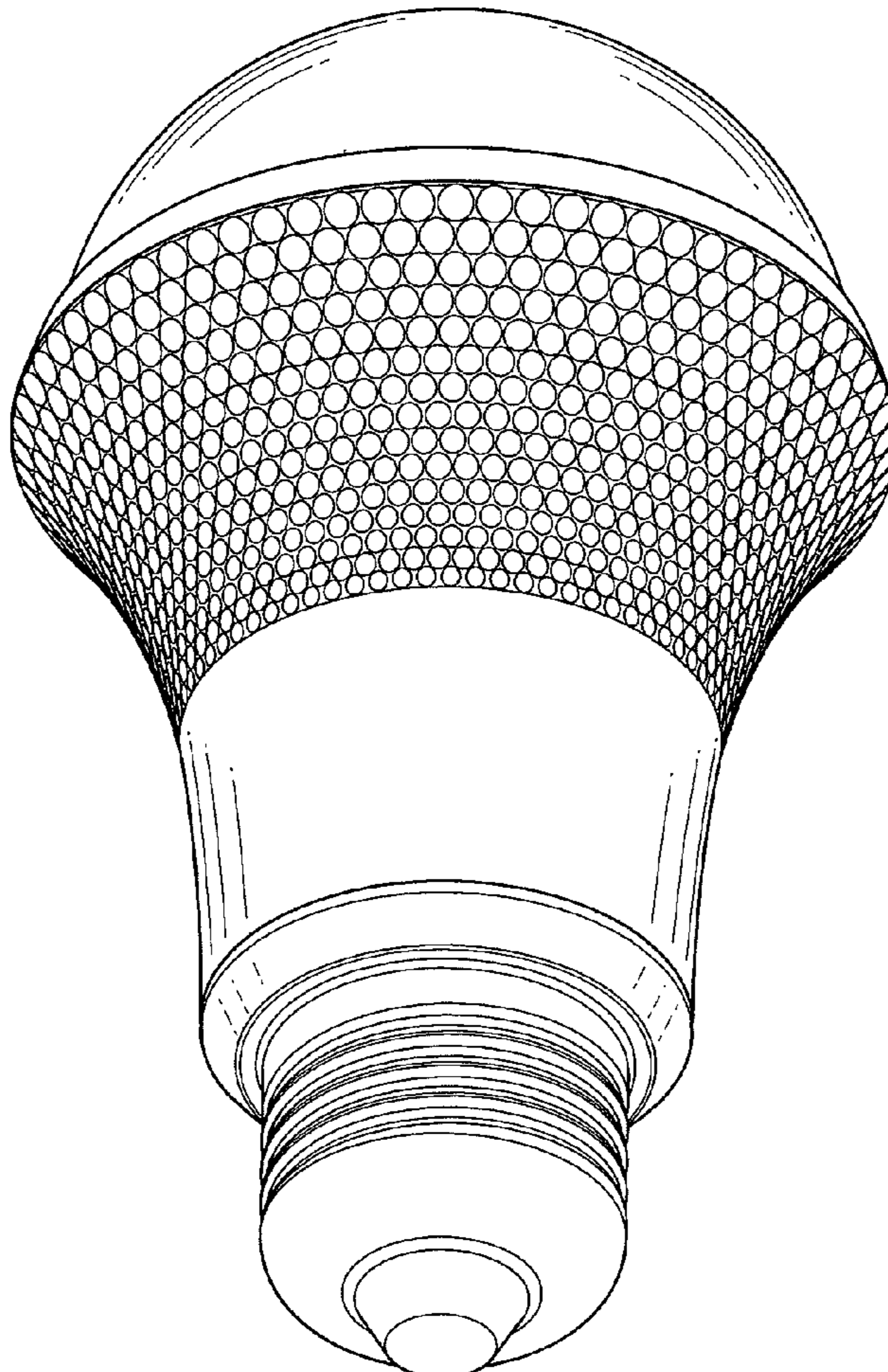
FIG. 7 is a bottom elevational view thereof.

(56) **References Cited**

U.S. PATENT DOCUMENTS

D601,278 S * 9/2009 Takahashi D26/2
D602,614 S * 10/2009 Takahashi et al. D26/2

1 Claim, 7 Drawing Sheets



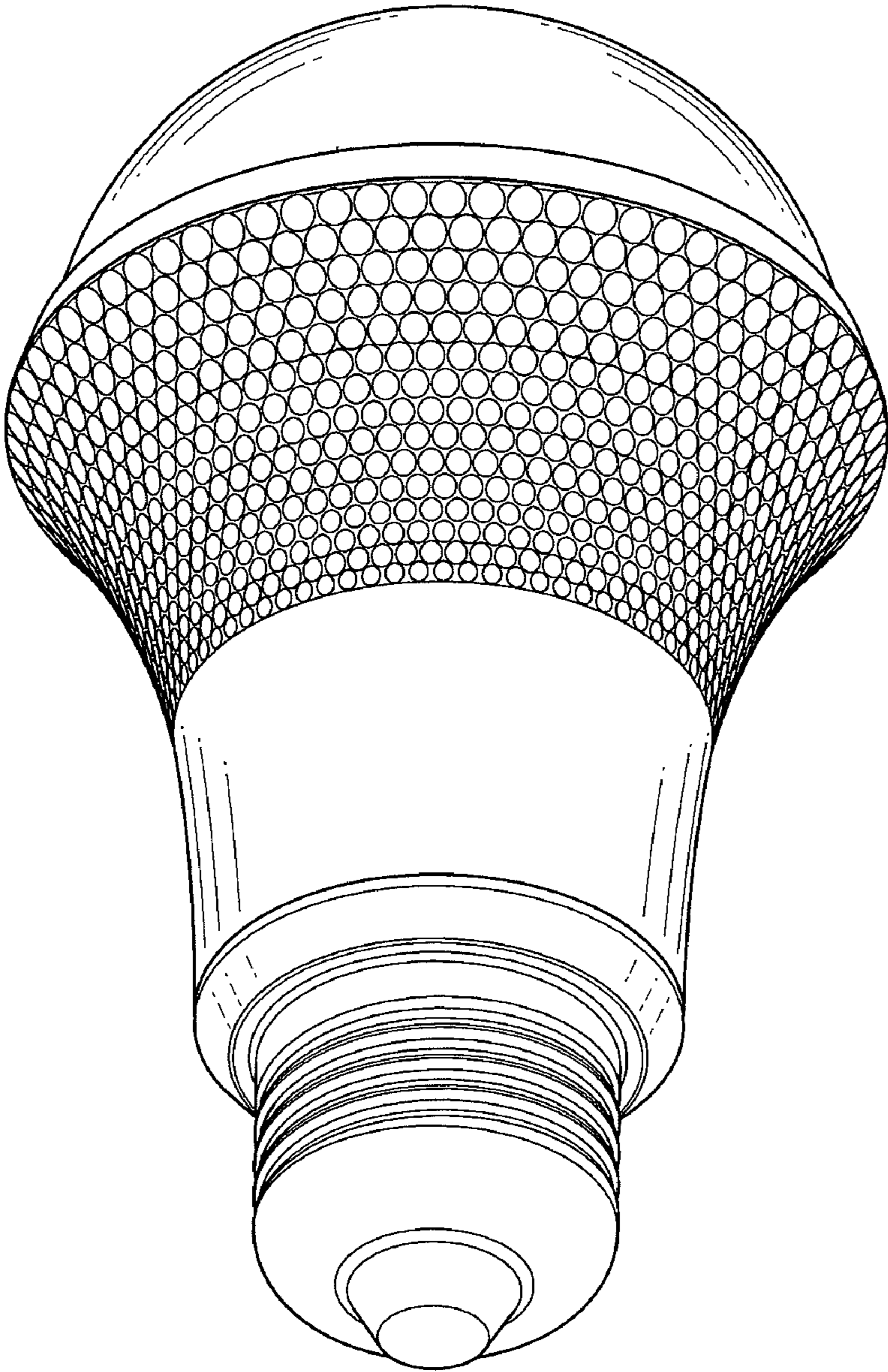


Fig. 1

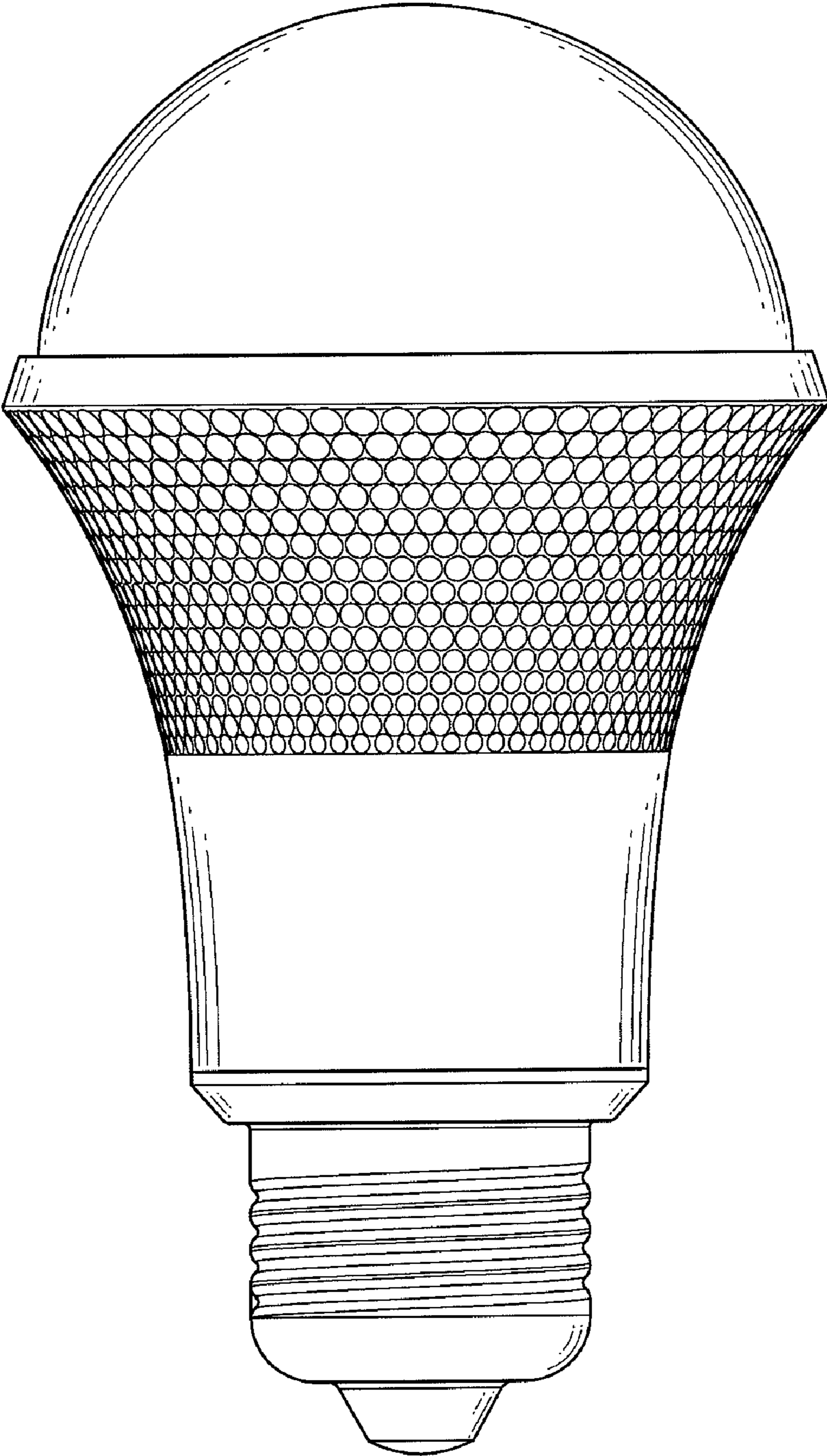


Fig. 2

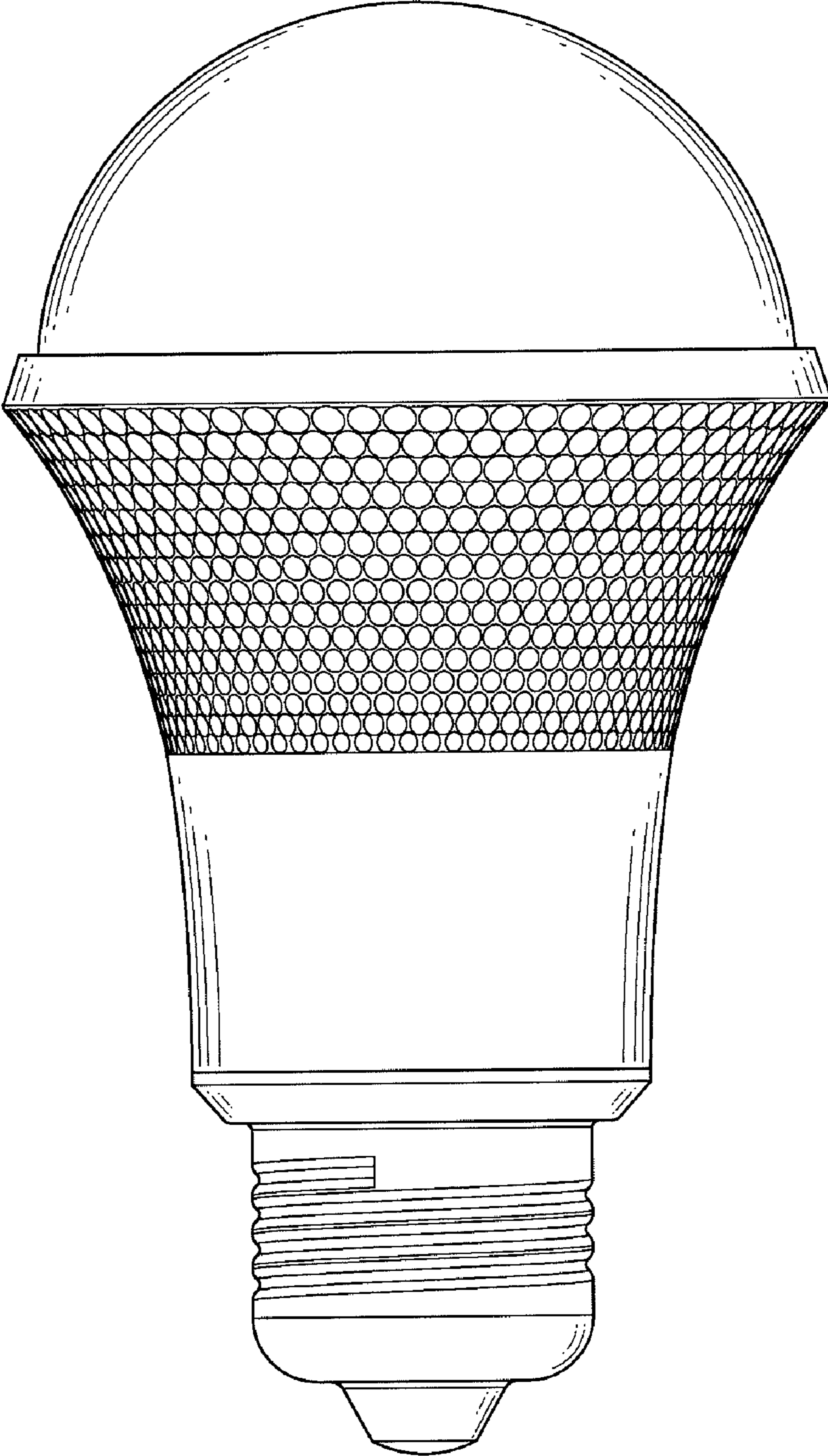


Fig. 3

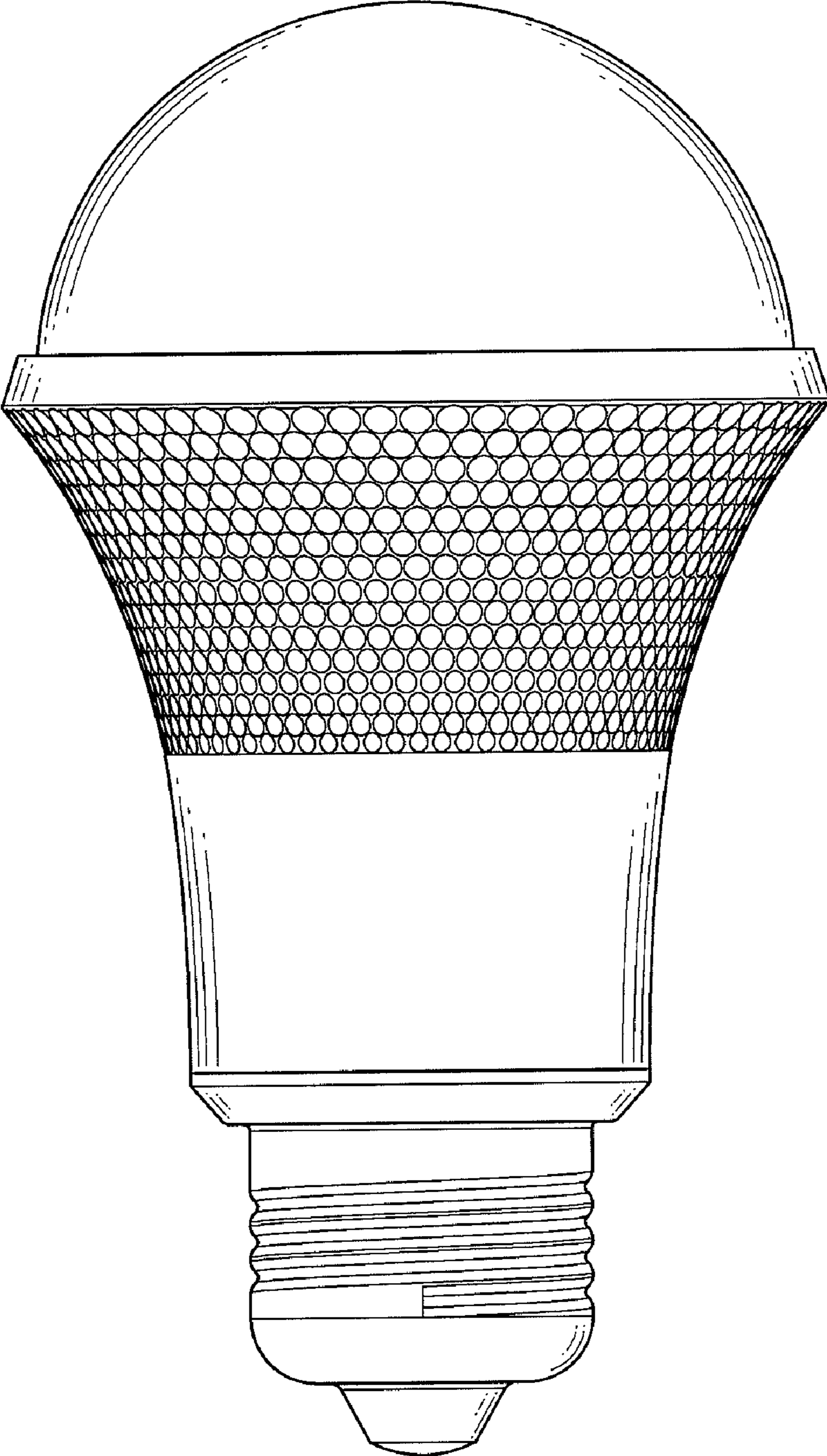


Fig. 4

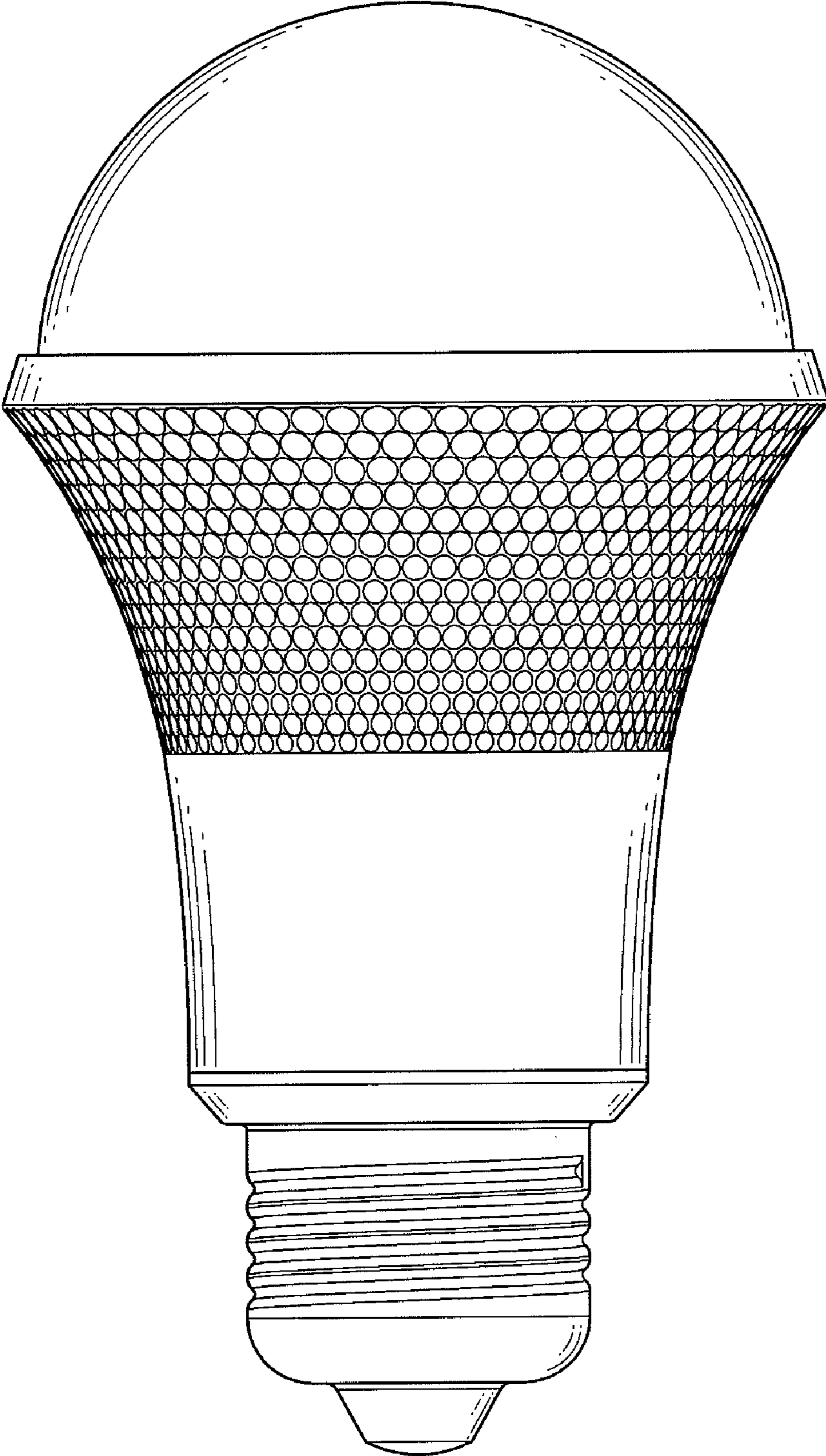


Fig. 5

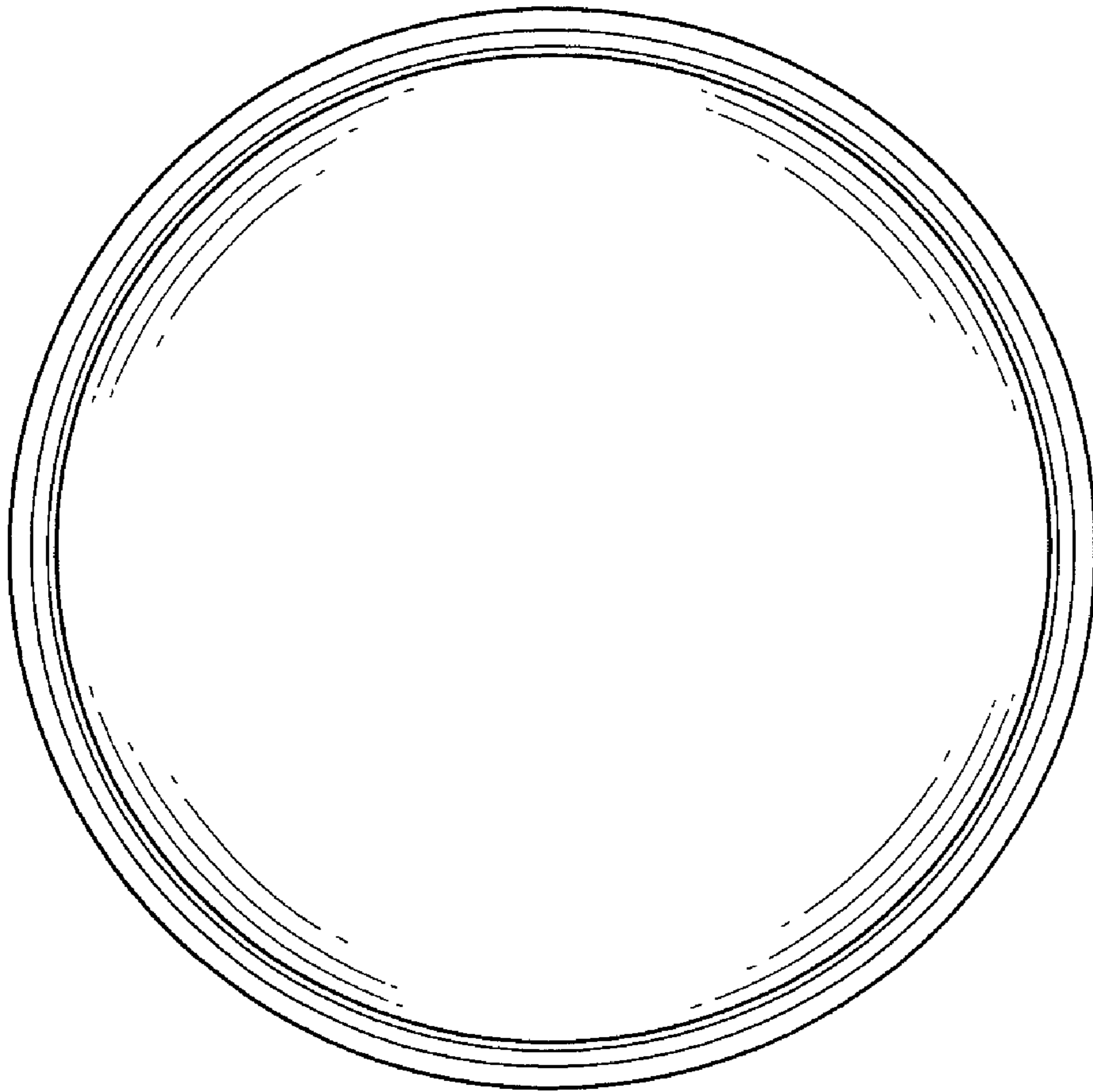


Fig. 6

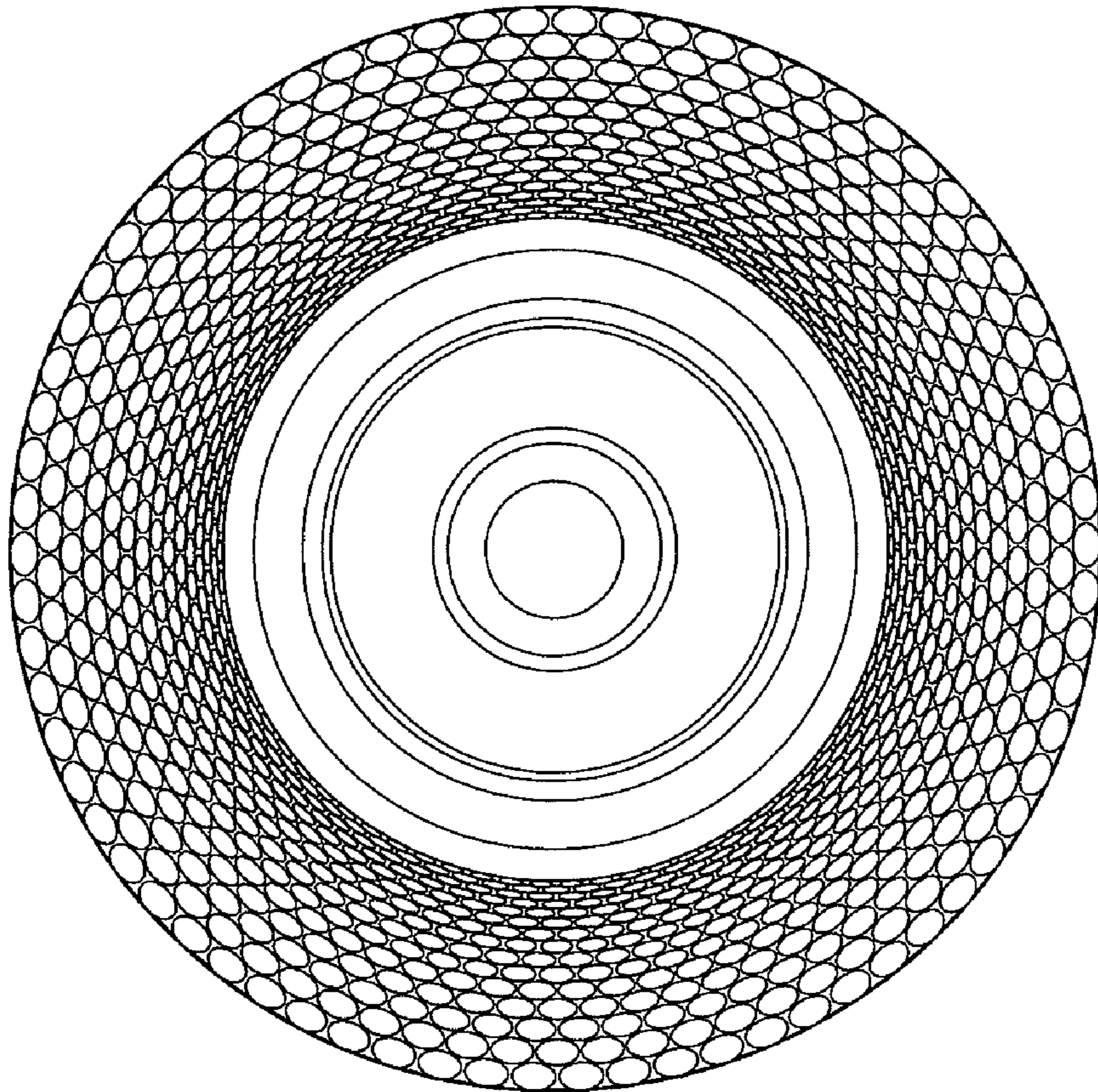


Fig. 7