



US00D645990S

(12) **United States Design Patent**
Tu

(10) **Patent No.:** **US D645,990 S**

(45) **Date of Patent:** **** Sep. 27, 2011**

(54) **LED LAMP**

(75) Inventor: **Kuo-Chiang Tu**, Taoyuan Hsien (TW)

(73) Assignee: **Delta Electronics, Inc.**, Taoyuan Hsien (TW)

(**) Term: **14 Years**

(21) Appl. No.: **29/379,095**

(22) Filed: **Nov. 15, 2010**

(51) **LOC (9) Cl.** **26-04**

(52) **U.S. Cl.** **D26/2**

(58) **Field of Classification Search** D26/1-4;
313/313, 315, 316, 317, 318, 493; 315/52,
315/53, 56, 57, 58

See application file for complete search history.

(56) **References Cited**

U.S. PATENT DOCUMENTS

D531,741 S	*	11/2006	Takahashi	D26/2
D538,953 S	*	3/2007	Mama	D26/2
D548,369 S	*	8/2007	Bembridge	D26/2
D549,360 S	*	8/2007	An	D26/2

D550,864 S	*	9/2007	Hernandez et al.	D26/2
D553,267 S	*	10/2007	Yuen	D26/2
D602,614 S	*	10/2009	Takahashi et al.	D26/2
D628,320 S	*	11/2010	Yamamoto	D26/2

* cited by examiner

Primary Examiner — Marcus Jackson

(74) *Attorney, Agent, or Firm* — Muncy, Geissler, Olds & Lowe, PLLC

(57) **CLAIM**

The ornamental design for a LED Lamp, as shown and described.

DESCRIPTION

FIG. 1 is an elevational view of a flashlight showing our new design;

FIG. 2 is a front elevational view thereof;

FIG. 3 is a rear elevational view thereof;

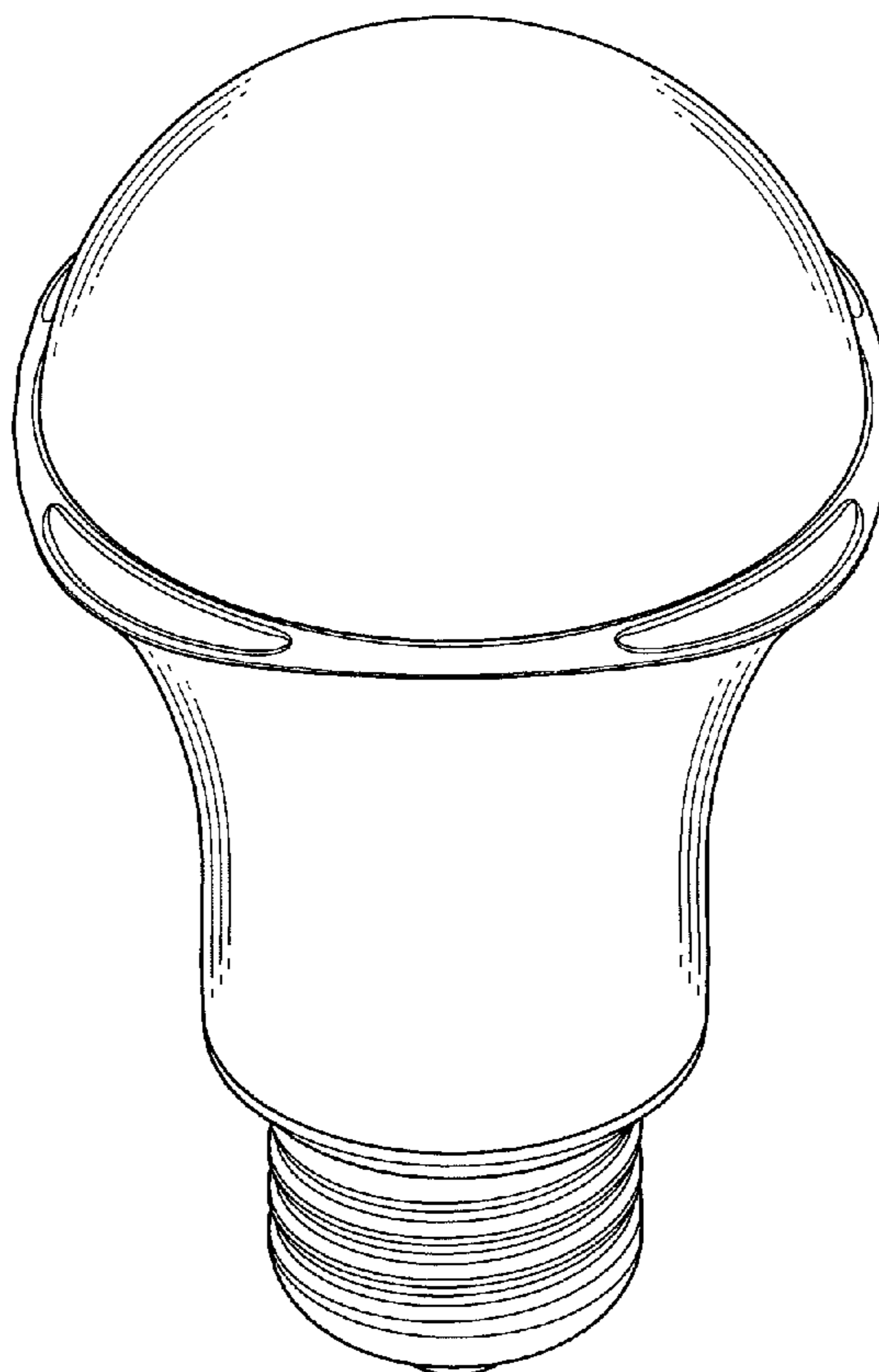
FIG. 4 is a left side elevational view thereof;

FIG. 5 is a right side elevational view thereof;

FIG. 6 is a top elevational view thereof; and,

FIG. 7 is a bottom elevational view thereof.

1 Claim, 6 Drawing Sheets



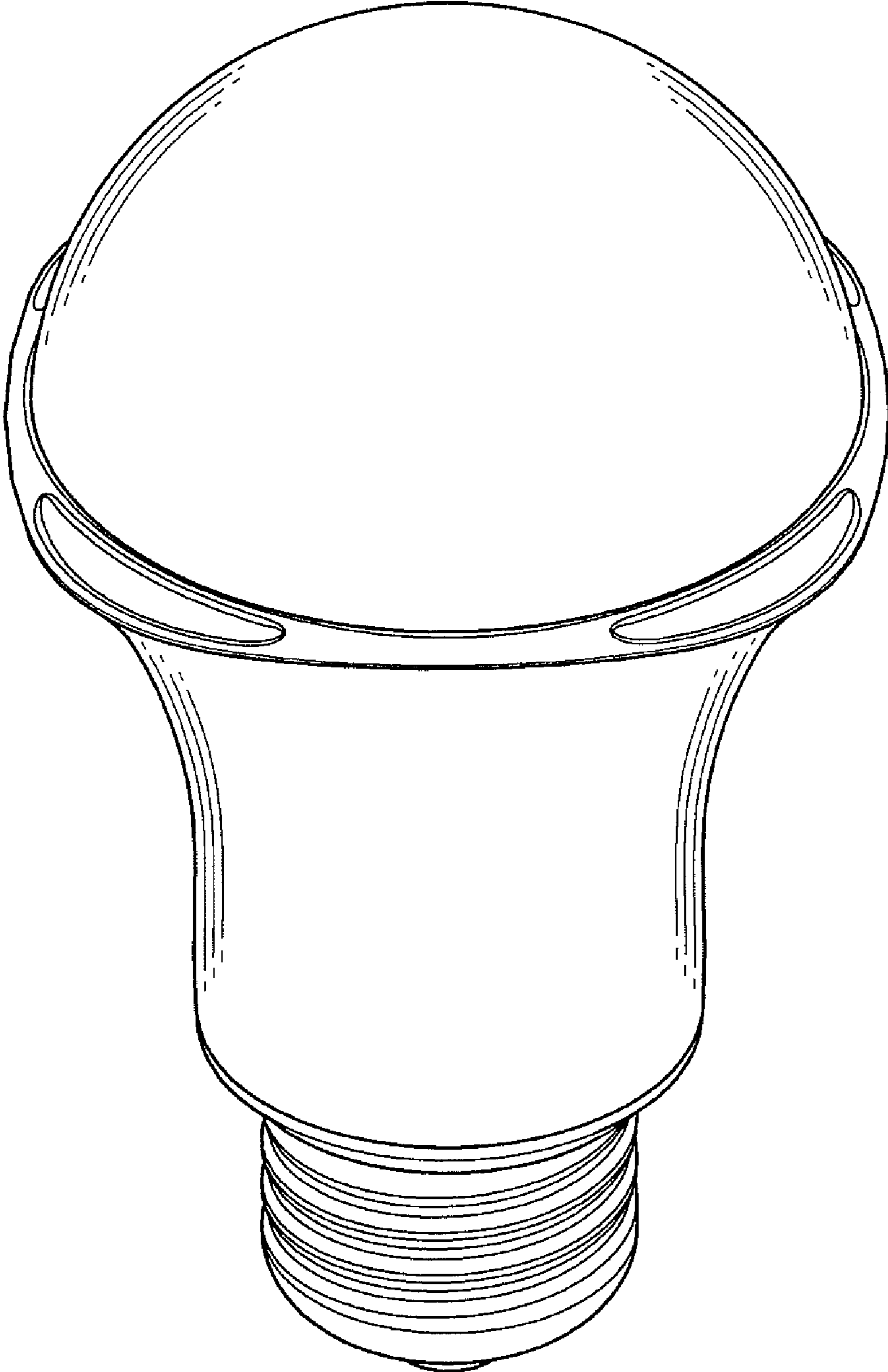


Fig. 1

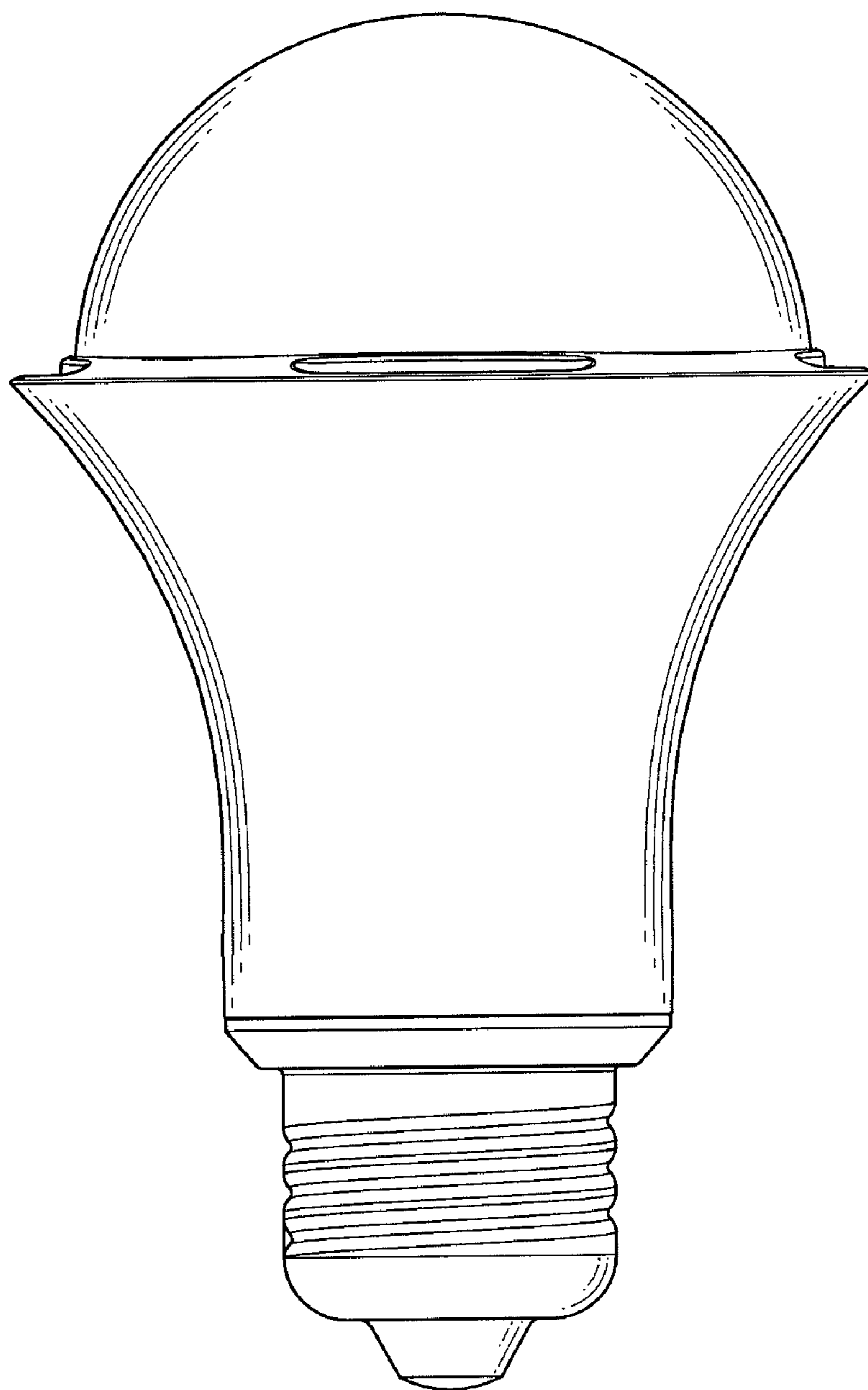


Fig. 2

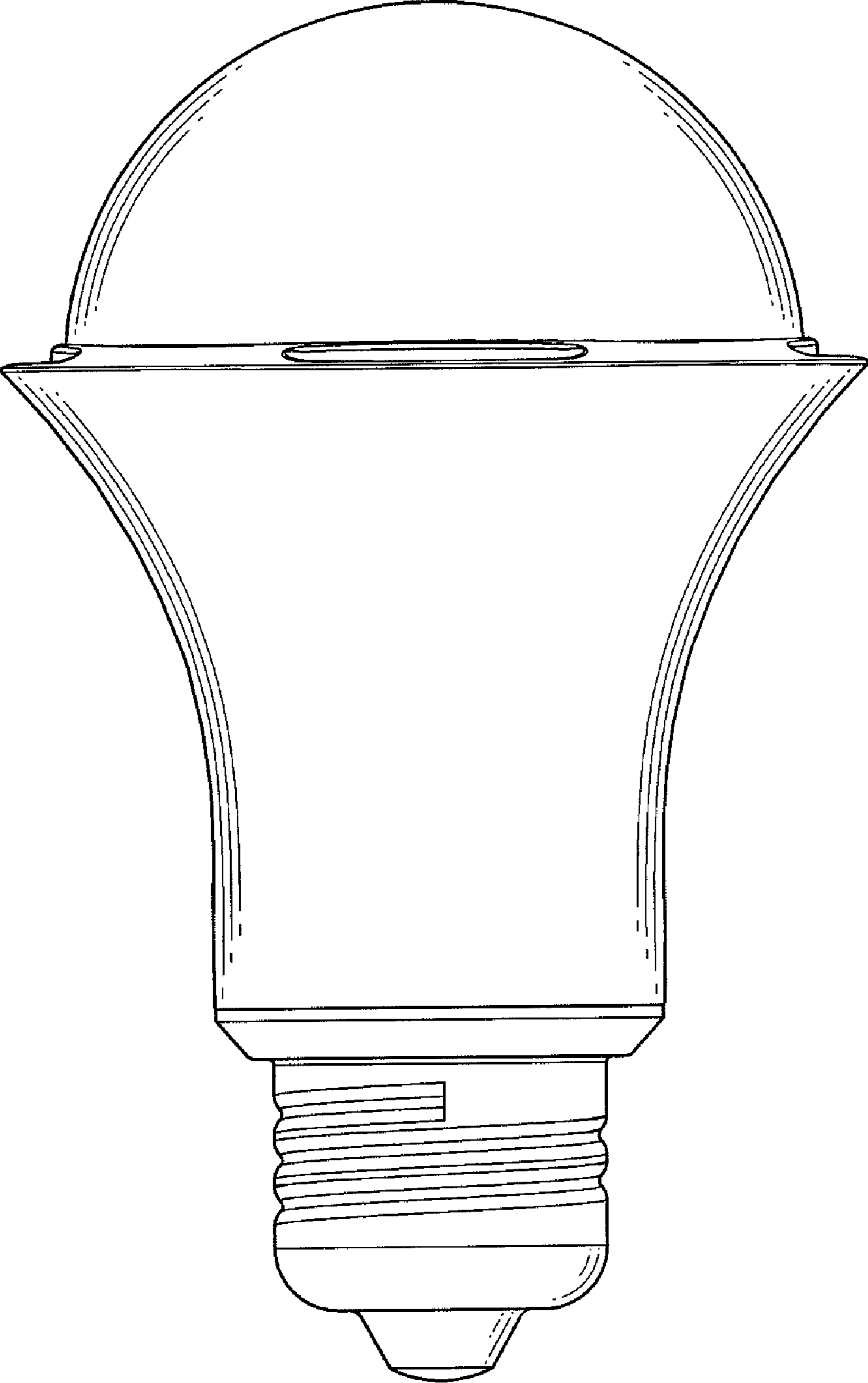


Fig. 3

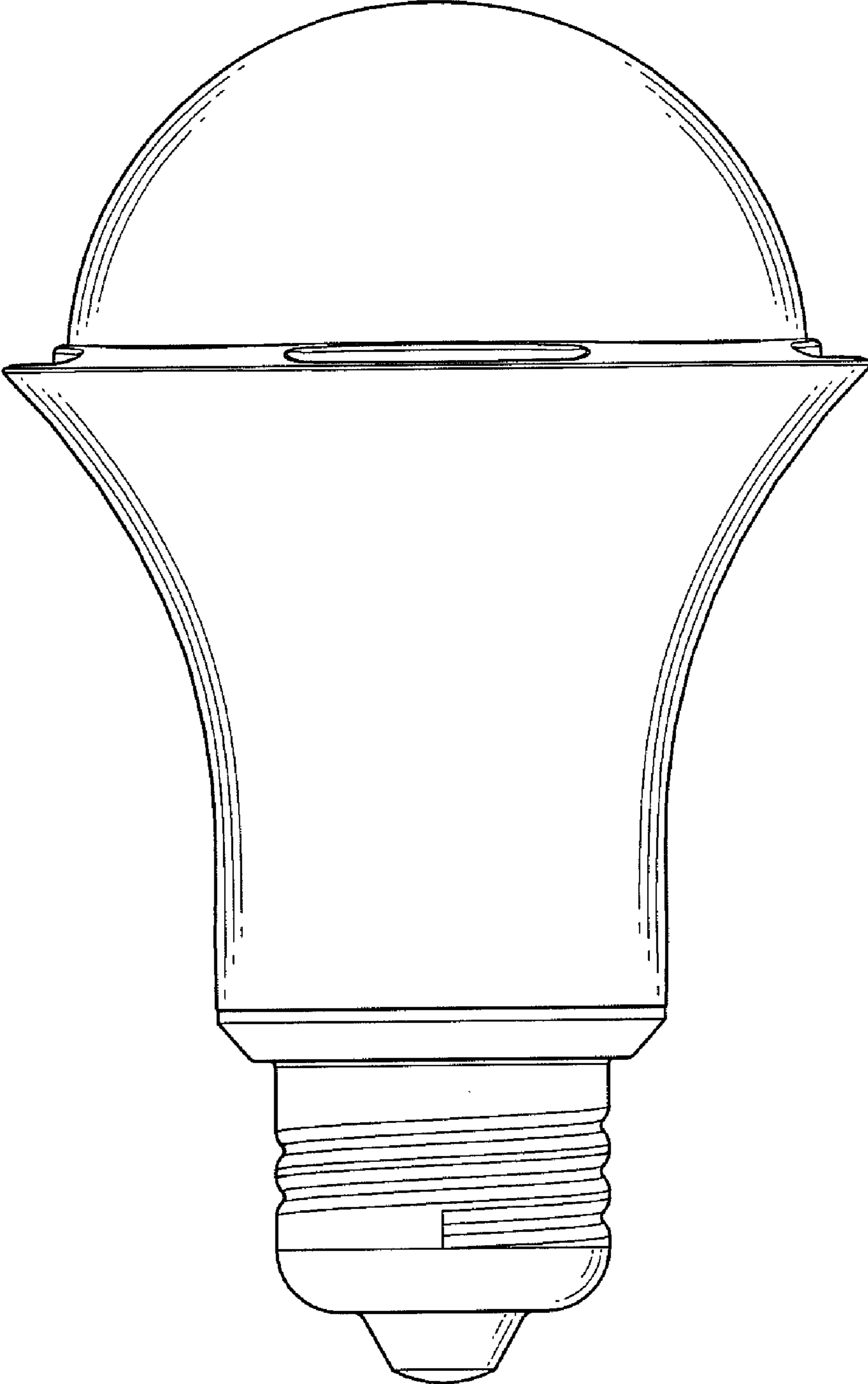


Fig. 4

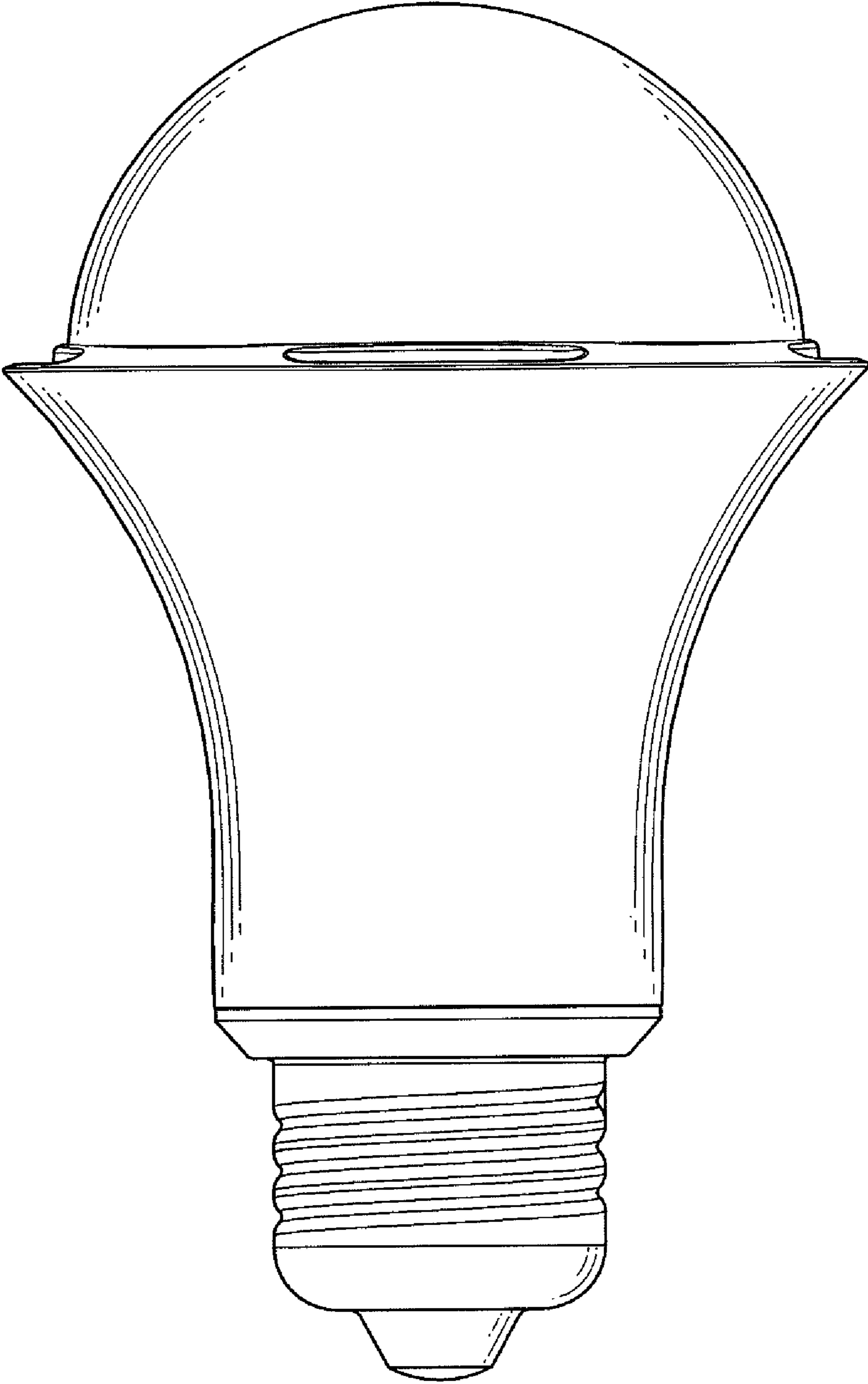


Fig. 5

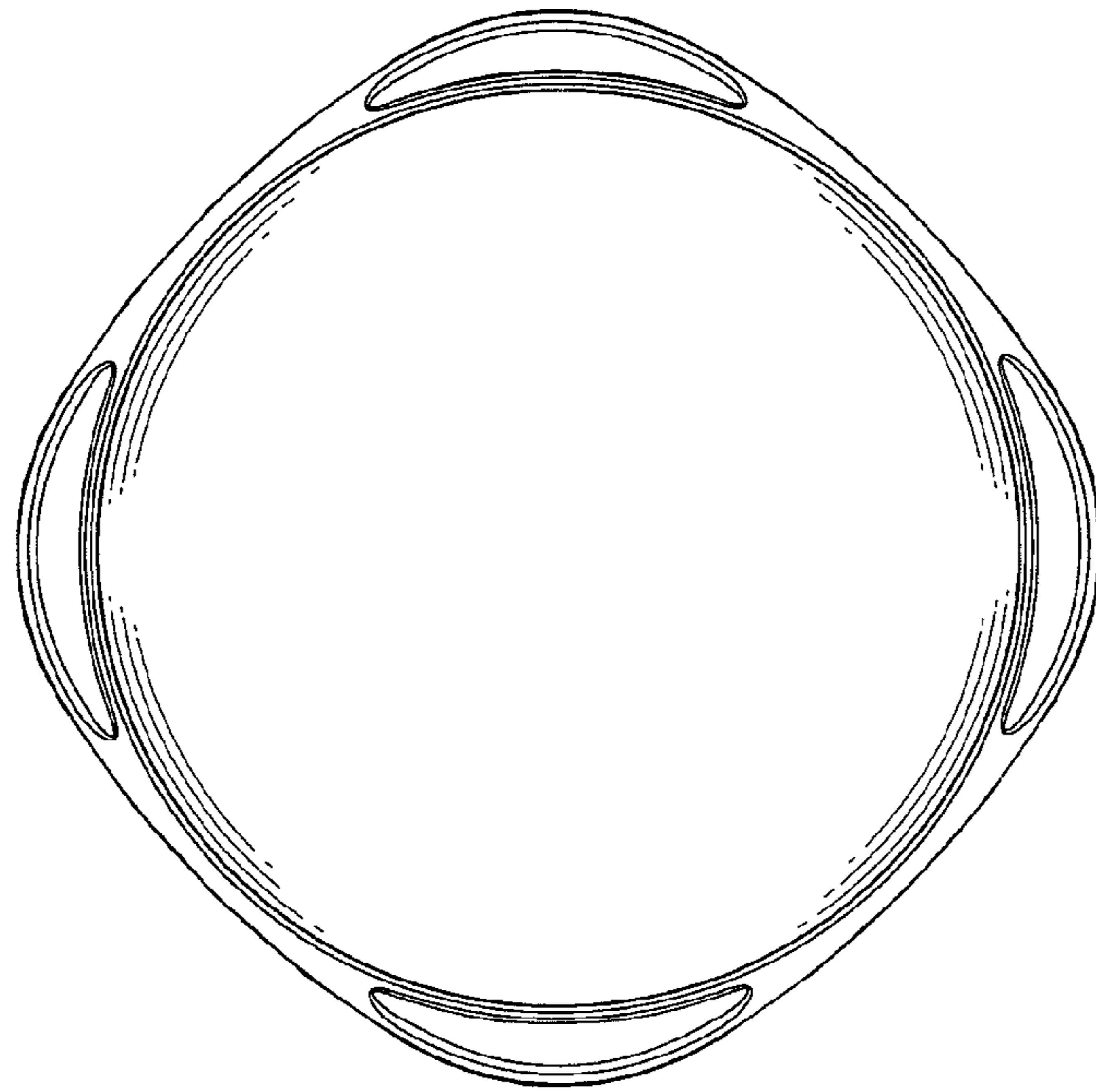


Fig. 6

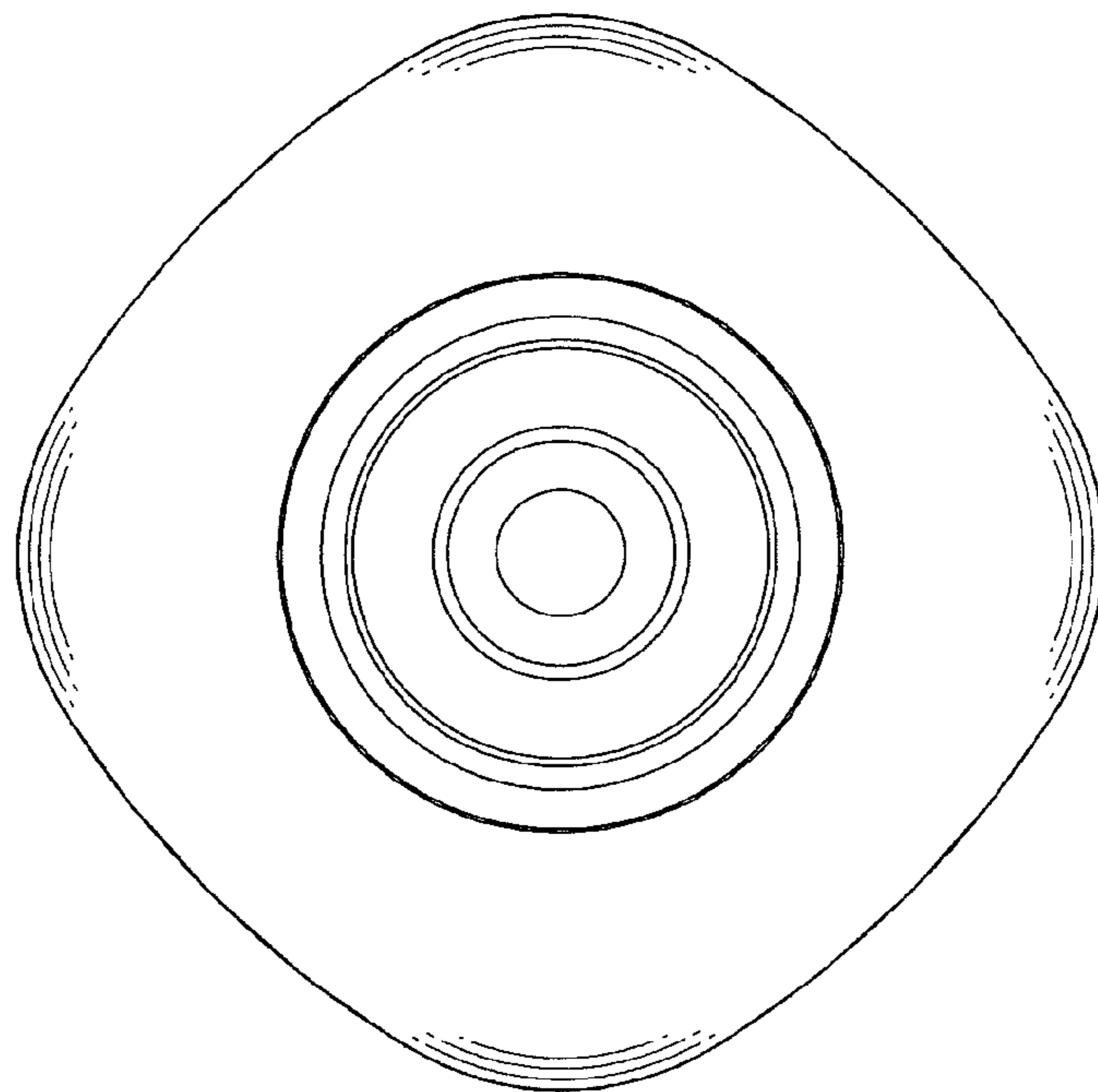


Fig. 7