



US00D645984S

(12) **United States Design Patent**
Wang

(10) **Patent No.:** **US D645,984 S**

(45) **Date of Patent:** **** Sep. 27, 2011**

(54) **LED LIGHT**

(75) Inventor: **Robert Wang**, Luch (TW)

(73) Assignee: **Ceramate Technical Co., Ltd.**, Taoyuan County (TW)

(**) Term: **14 Years**

(21) Appl. No.: **29/369,108**

(22) Filed: **Sep. 2, 2010**

(51) **LOC (9) Cl.** **26-04**

(52) **U.S. Cl.** **D26/1; D26/24**

(58) **Field of Classification Search** D26/1-5,
D26/120, 138, 76, 72, 24, 118; 313/313,
313/315, 316, 317, 318, 493; 315/52, 53,
315/56, 57, 58; 362/290, 294, 309; D13/180,
D13/110; D10/114.1, 114.4
See application file for complete search history.

(56) **References Cited**

U.S. PATENT DOCUMENTS

| | | | | | | |
|-----------|----|---|---------|------------------|-------|-----------|
| D180,537 | S | * | 6/1957 | Stevens | | D26/76 |
| 5,381,320 | A | * | 1/1995 | Jordan | | 362/147 |
| D363,675 | S | * | 10/1995 | Sasaki et al. | | D10/114.4 |
| 5,587,622 | A | * | 12/1996 | Mohacsi | | 313/493 |
| D386,801 | S | * | 11/1997 | Orgovan | | D26/31 |
| D389,929 | S | * | 1/1998 | Liu | | D26/28 |
| 5,826,965 | A | * | 10/1998 | Lyons | | 362/477 |
| 6,332,690 | B1 | * | 12/2001 | Murofushi | | 362/611 |
| D460,081 | S | * | 7/2002 | Bragato | | D14/460 |
| D467,359 | S | * | 12/2002 | Yiu | | D26/3 |
| D493,565 | S | * | 7/2004 | Smith et al. | | D26/118 |
| D498,018 | S | * | 11/2004 | Sieczkowski | | D26/118 |
| D565,786 | S | * | 4/2008 | Willmorth et al. | | D26/138 |

| | | | | | | |
|--------------|----|---|---------|------------------|-------|---------|
| D581,074 | S | * | 11/2008 | Starr | | D26/31 |
| D587,835 | S | * | 3/2009 | Hanson | | D26/85 |
| D591,443 | S | * | 4/2009 | Beno et al. | | D26/88 |
| 7,762,690 | B2 | * | 7/2010 | Li et al. | | 362/294 |
| D622,229 | S | * | 8/2010 | Yan et al. | | D13/179 |
| D623,326 | S | * | 9/2010 | Chen | | D26/63 |
| D633,646 | S | * | 3/2011 | Marcaccio et al. | | D26/118 |
| 7,950,831 | B2 | * | 5/2011 | Moon | | 362/308 |
| D639,495 | S | * | 6/2011 | Huang | | D26/118 |
| 2010/0277903 | A1 | * | 11/2010 | Bauer et al. | | 362/235 |

OTHER PUBLICATIONS

1/24 Patrol Car LED light Bar Boomerang style, © 2010 hobbylink Japan Ltd., posting date not given, [online], [site visited Jun. 9, 2011]. Available from Internet, <URL: <http://www.hlj.com/product/AOS03831>>.*

* cited by examiner

Primary Examiner — Jeffrey D Asch

(74) *Attorney, Agent, or Firm* — Ming Chow; Sinorica, LLC

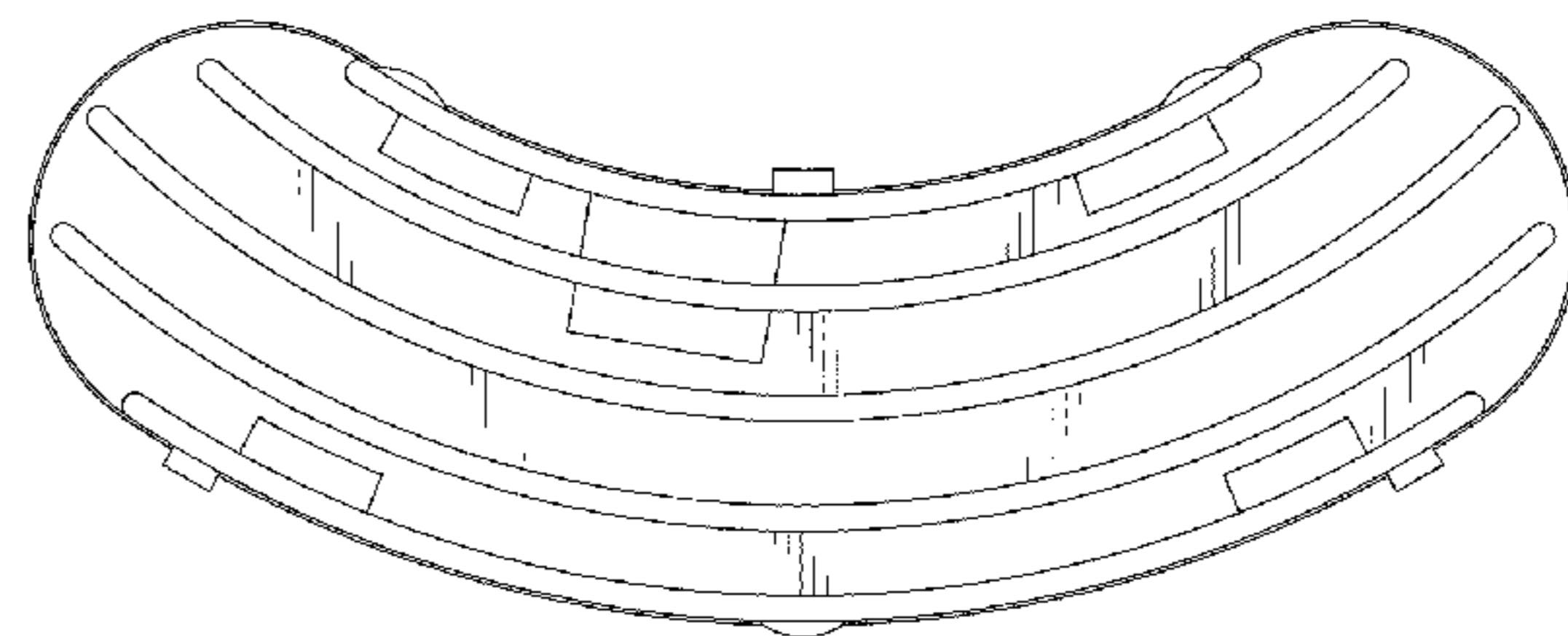
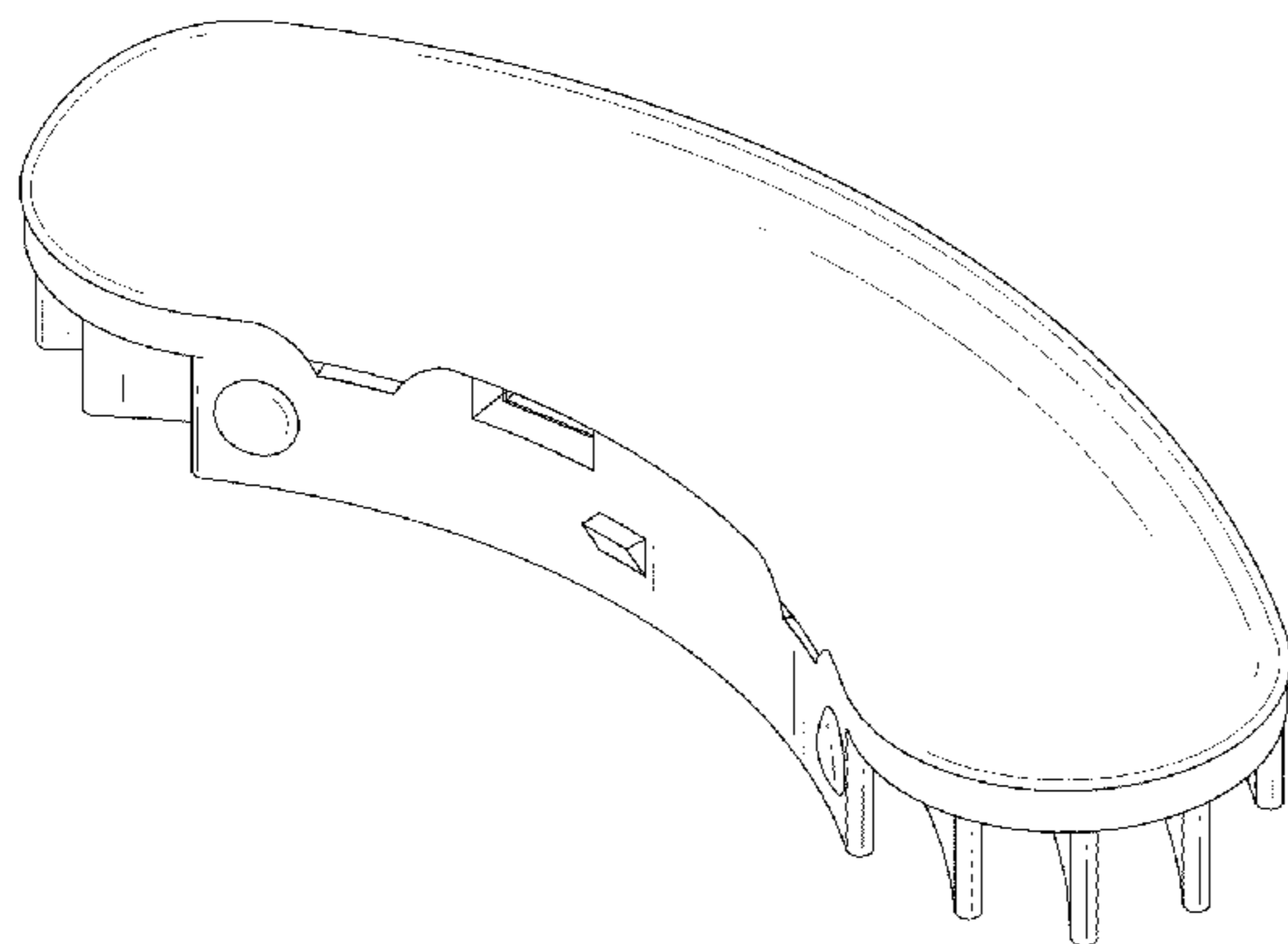
(57) **CLAIM**

I claim the ornamental design for a LED light, as shown and described.

DESCRIPTION

FIG. 1 is a front perspective view of a LED light showing my new design;
FIG. 2 is a front elevational view thereof;
FIG. 3 is a rear elevational view thereof.
FIG. 4 is a left side elevational view thereof;
FIG. 5 is a right side elevational view thereof;
FIG. 6 is a top plan view thereof; and,
FIG. 7 is a bottom plan view thereof.

1 Claim, 4 Drawing Sheets



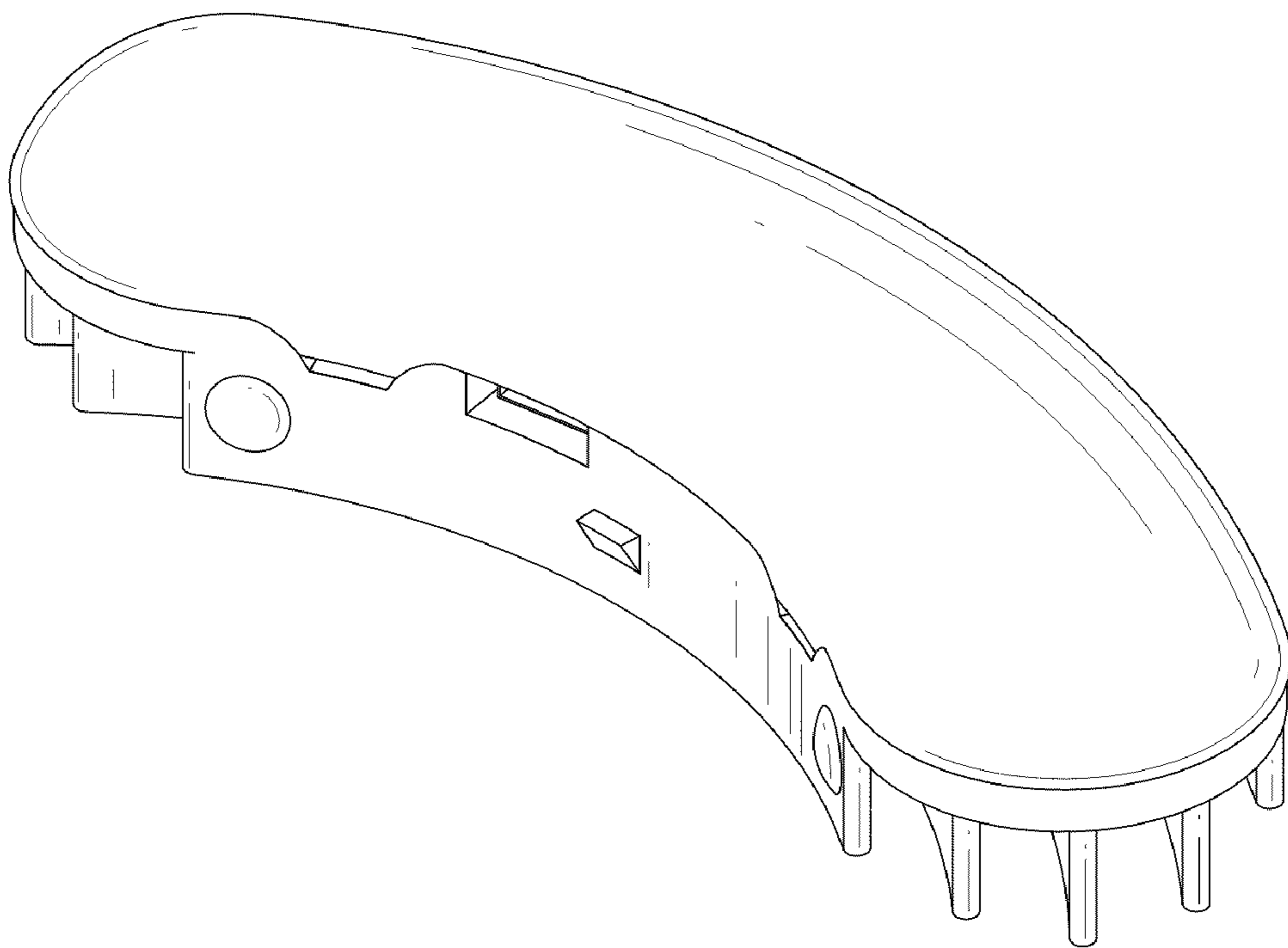


FIG. 1

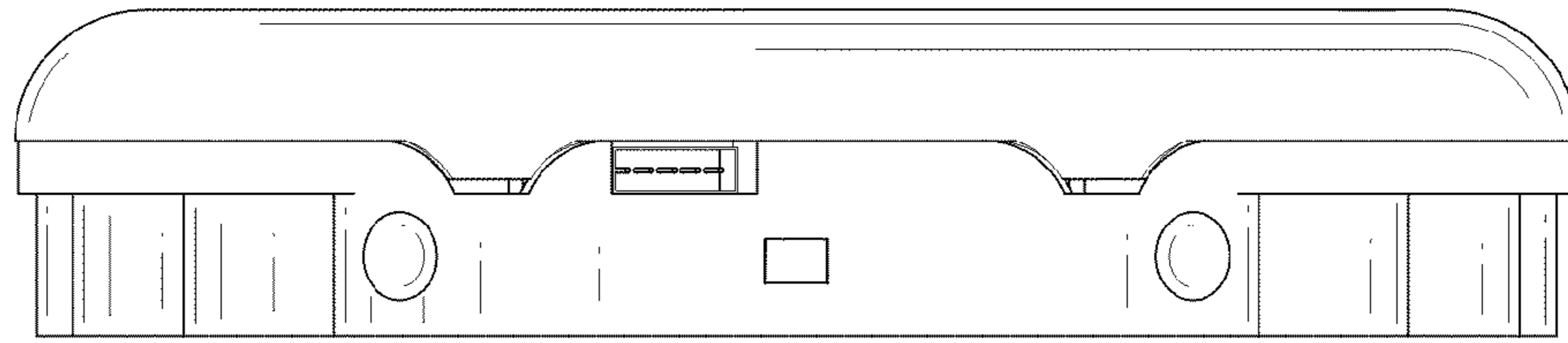


FIG. 2

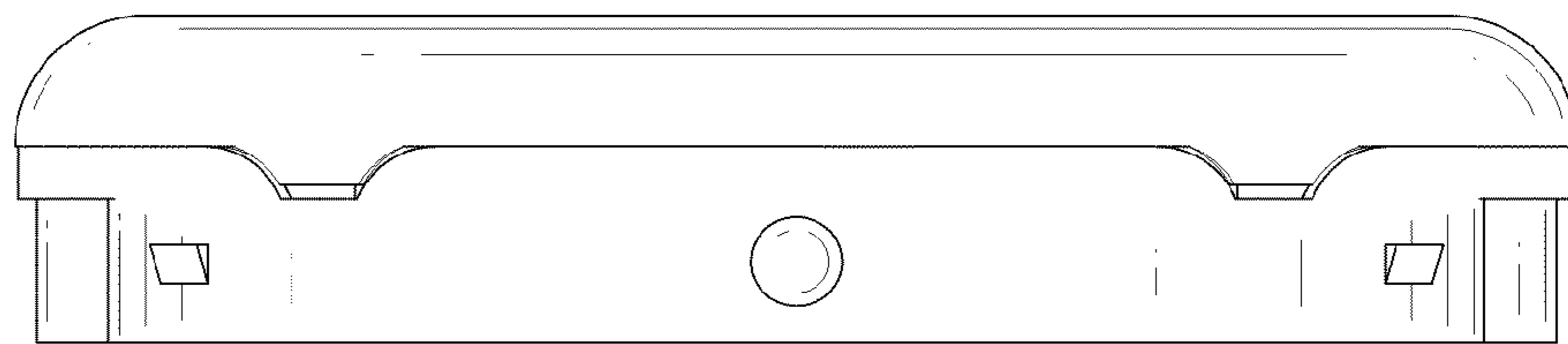


FIG. 3

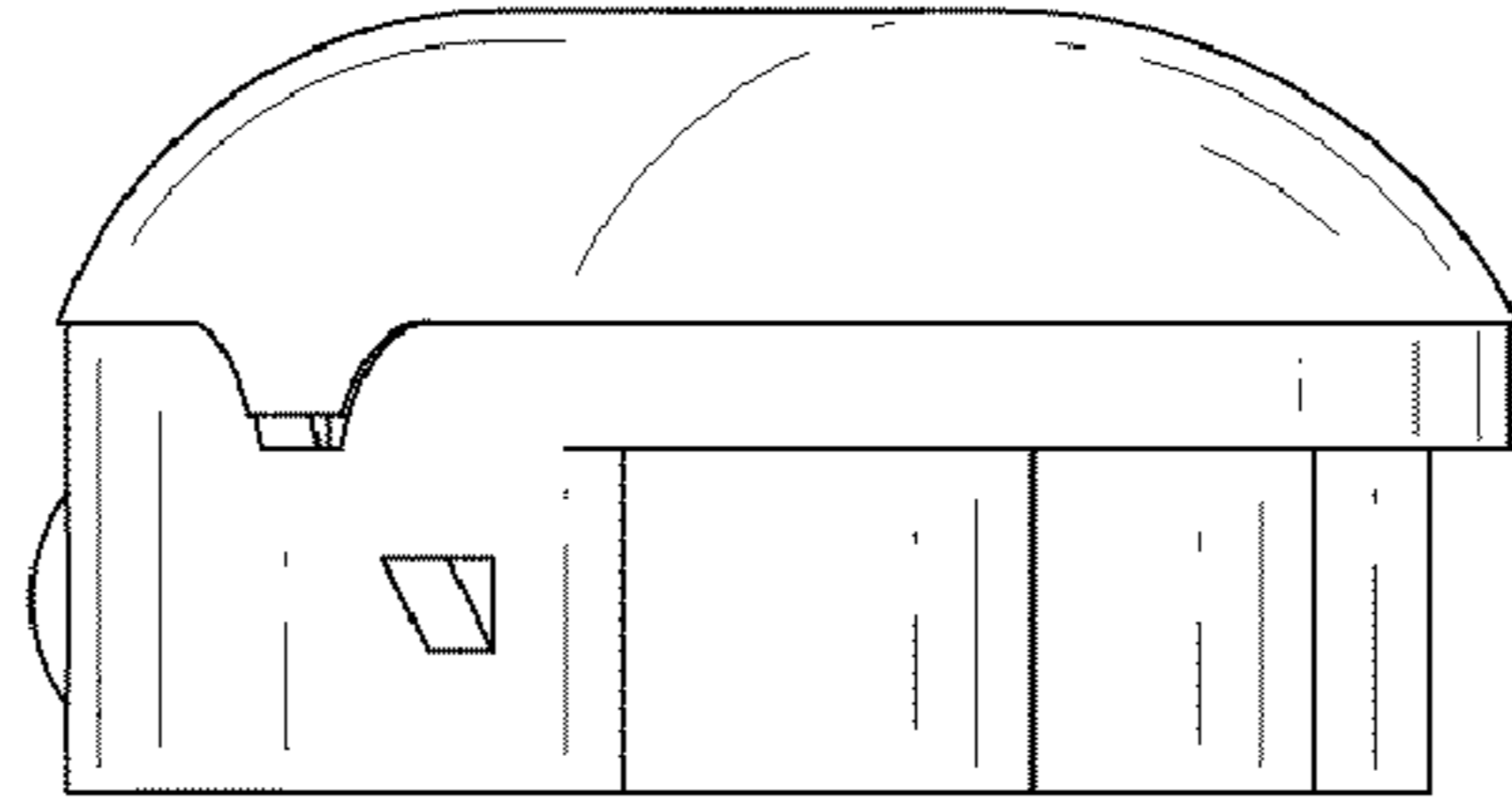


FIG. 4

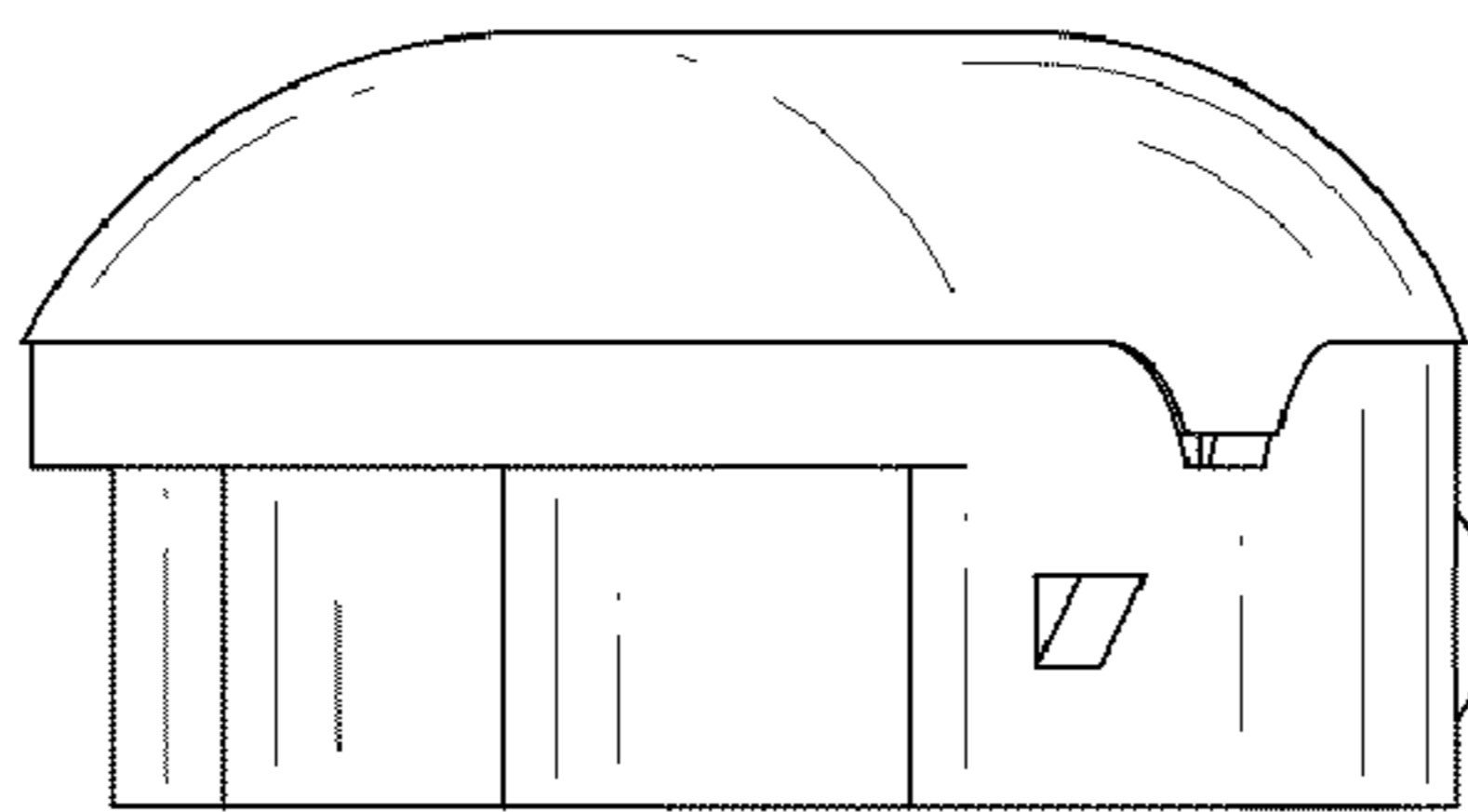


FIG. 5

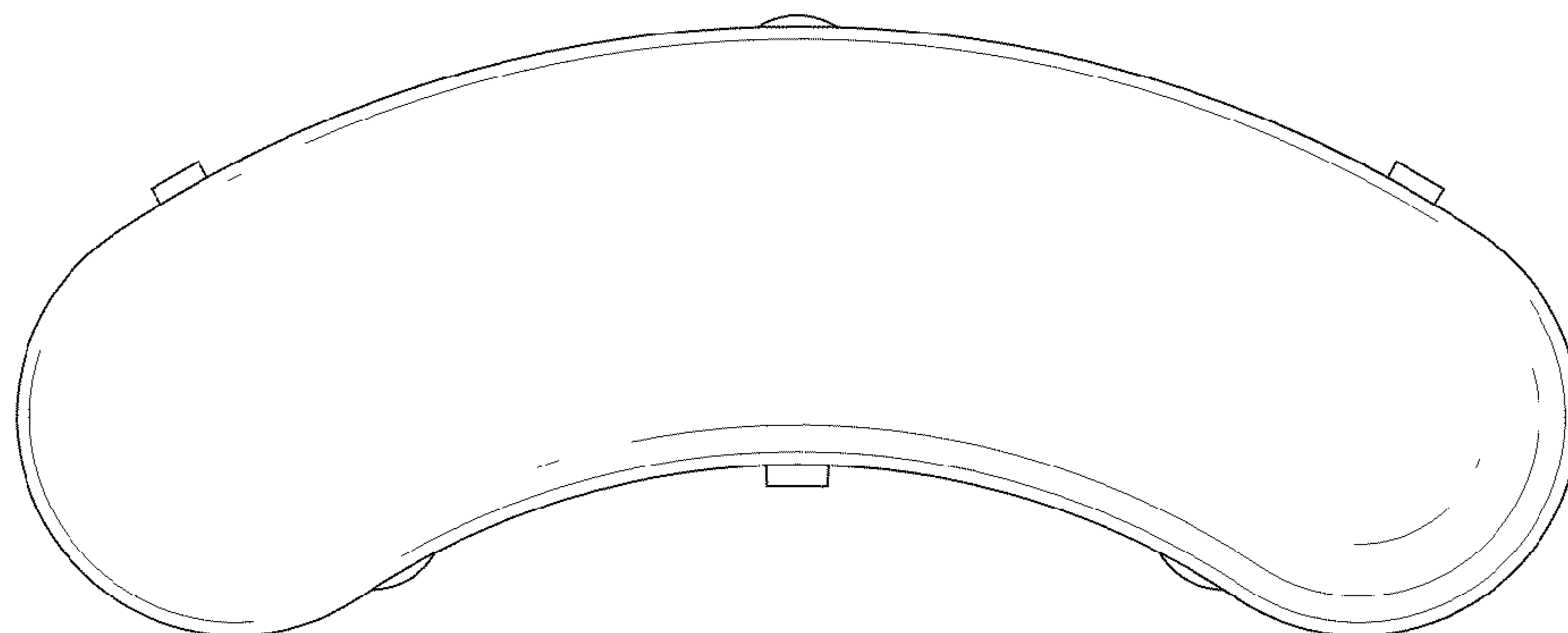


FIG. 6

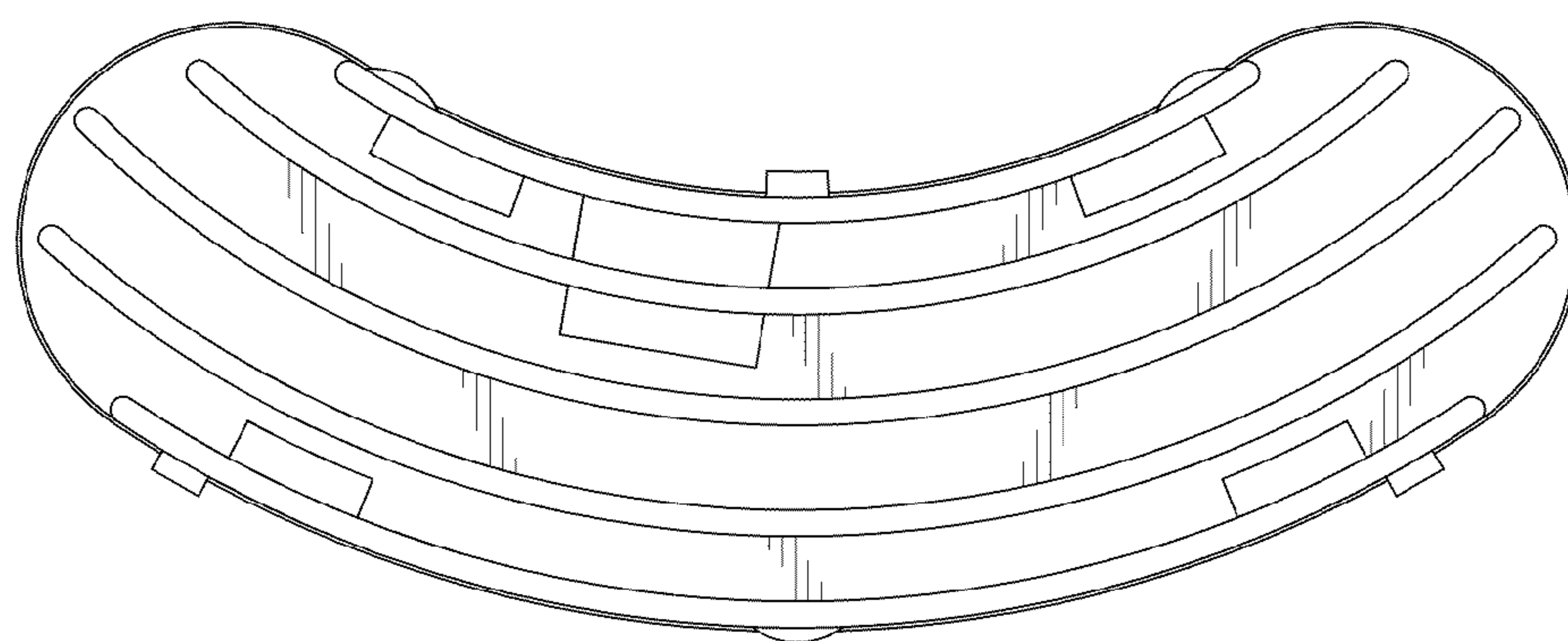


FIG. 7