



US00D645978S

(12) **United States Design Patent**
Oonuma et al.

(10) **Patent No.:** **US D645,978 S**
(45) **Date of Patent:** **** Sep. 27, 2011**

(54) **COLUMN OVEN FOR LIQUID CHROMATOGRAPH ANALYZER**
(75) Inventors: **Mitsuru Oonuma**, Tokyo (JP); **Akira Omachi**, Komae (JP); **Kantaro Maruoka**, Hitachinaka (JP); **Shoji Tomida**, Hitachinaka (JP); **Tomohiro Shoji**, Hitachinaka (JP)

(73) Assignee: **Hitachi High-Technologies Corporation**, Tokyo (JP)

(**) Term: **14 Years**

(21) Appl. No.: **29/383,251**

(22) Filed: **Jan. 14, 2011**

(30) **Foreign Application Priority Data**

Sep. 17, 2010 (JP) 2010-022436

(51) **LOC (9) Cl.** **24-02**

(52) **U.S. Cl.** **D24/232**

(58) **Field of Classification Search** D10/81, D10/103, 75, 46; D24/224, 216, 231-233, D24/138; D14/399; 210/198.2, 656, 402.02, 210/657; 250/281-288, 427, 294, 292, 382, 250/384, 385.1; 422/70, 99-102; 530/350, 530/412

See application file for complete search history.

(56) **References Cited**

U.S. PATENT DOCUMENTS

D211,359 S * 6/1968 Deruccio et al. D10/81
D266,151 S * 9/1982 Dawson D24/232
D281,310 S * 11/1985 Hattori et al. D10/81
4,900,446 A * 2/1990 Anderson 210/657
5,228,988 A * 7/1993 Sanford et al. 422/70
D344,716 S * 3/1994 Munger et al. D14/399
D347,396 S * 5/1994 Ohnuma et al. D24/232
D354,013 S * 1/1995 Ninomiya et al. D24/232
D356,745 S * 3/1995 Ninomiya et al. D10/46

D356,967 S * 4/1995 Takekoshi et al. D10/81
D364,576 S * 11/1995 Glaser D10/75
D365,530 S * 12/1995 Glaser D10/103
D422,925 S * 4/2000 Glaser et al. D10/81
D599,235 S * 9/2009 Oberg D10/81
D599,236 S * 9/2009 Oberg D10/81

FOREIGN PATENT DOCUMENTS

JP D 1131475 1/2002

OTHER PUBLICATIONS

U.S. Appl. No. 29/383,285, filed Jan. 14, 2011, Oonuma.
U.S. Appl. No. 29/383,264, filed Jan. 14, 2011, Oonuma.
U.S. Appl. No. 29/383,238, filed Jan. 14, 2011, Oonuma.
U.S. Appl. No. 29/383,235, filed Jan. 14, 2011, Oonuma.
U.S. Appl. No. 29/383,228, filed Jan. 14, 2011, Oonuma.

* cited by examiner

Primary Examiner — T. Chase Nelson

Assistant Examiner — Mark Cavanna

(74) *Attorney, Agent, or Firm* — Antonelli, Terry, Stout & Kraus, LLP.

(57) **CLAIM**

We claim the ornamental design for a column oven for liquid chromatograph analyzer, as shown and described.

DESCRIPTION

FIG. 1 is a front, top and right side perspective view of a column oven for liquid chromatograph analyzer showing our new design;

FIG. 2 is a front elevational view thereof;

FIG. 3 is a rear elevational view thereof;

FIG. 4 is a top plan view thereof;

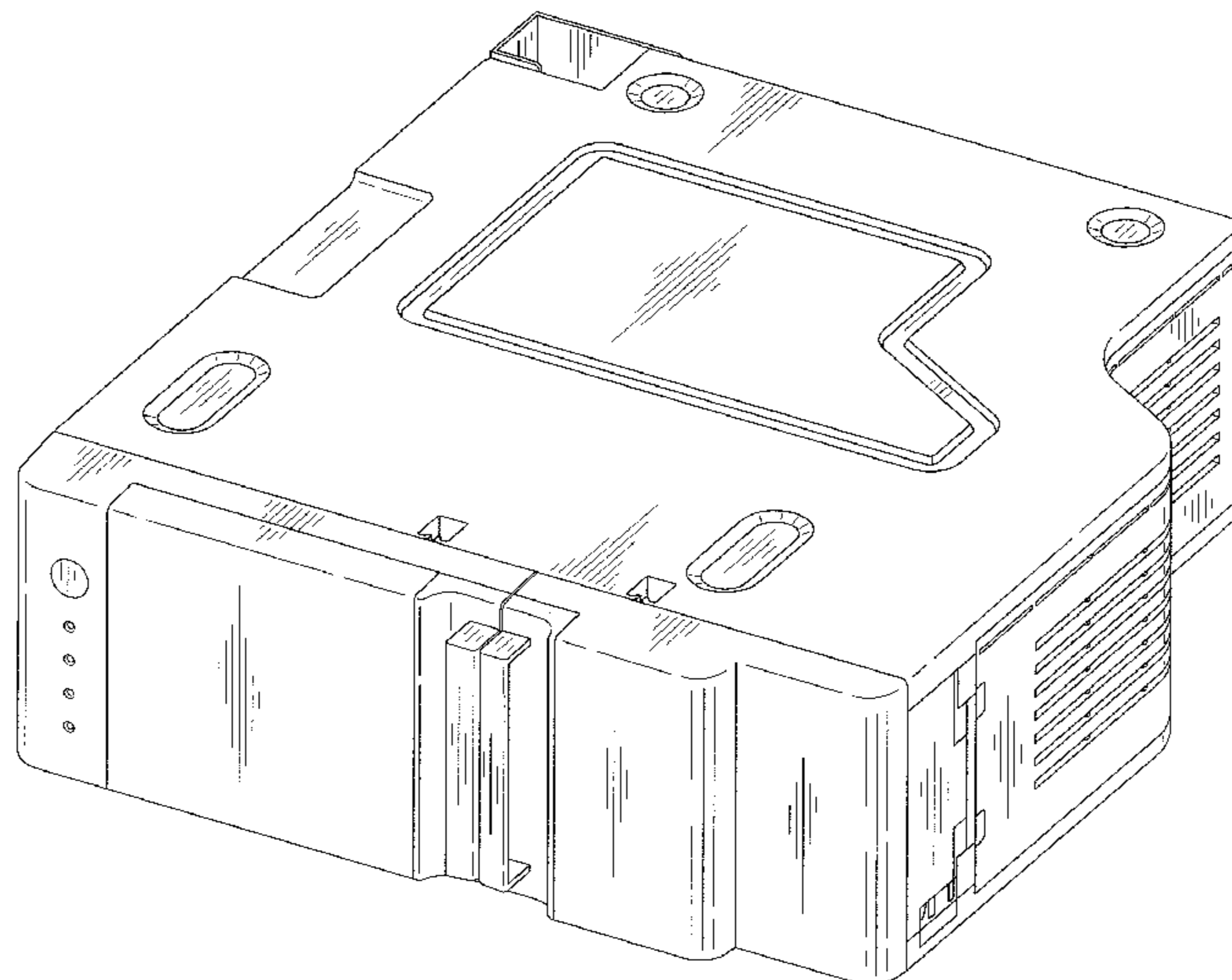
FIG. 5 is a bottom plan view thereof;

FIG. 6 is a left side elevational view thereof; and,

FIG. 7 is a right side elevational view thereof.

The broken lines shown are for illustrative purposes only and form no part of the claimed design.

1 Claim, 5 Drawing Sheets



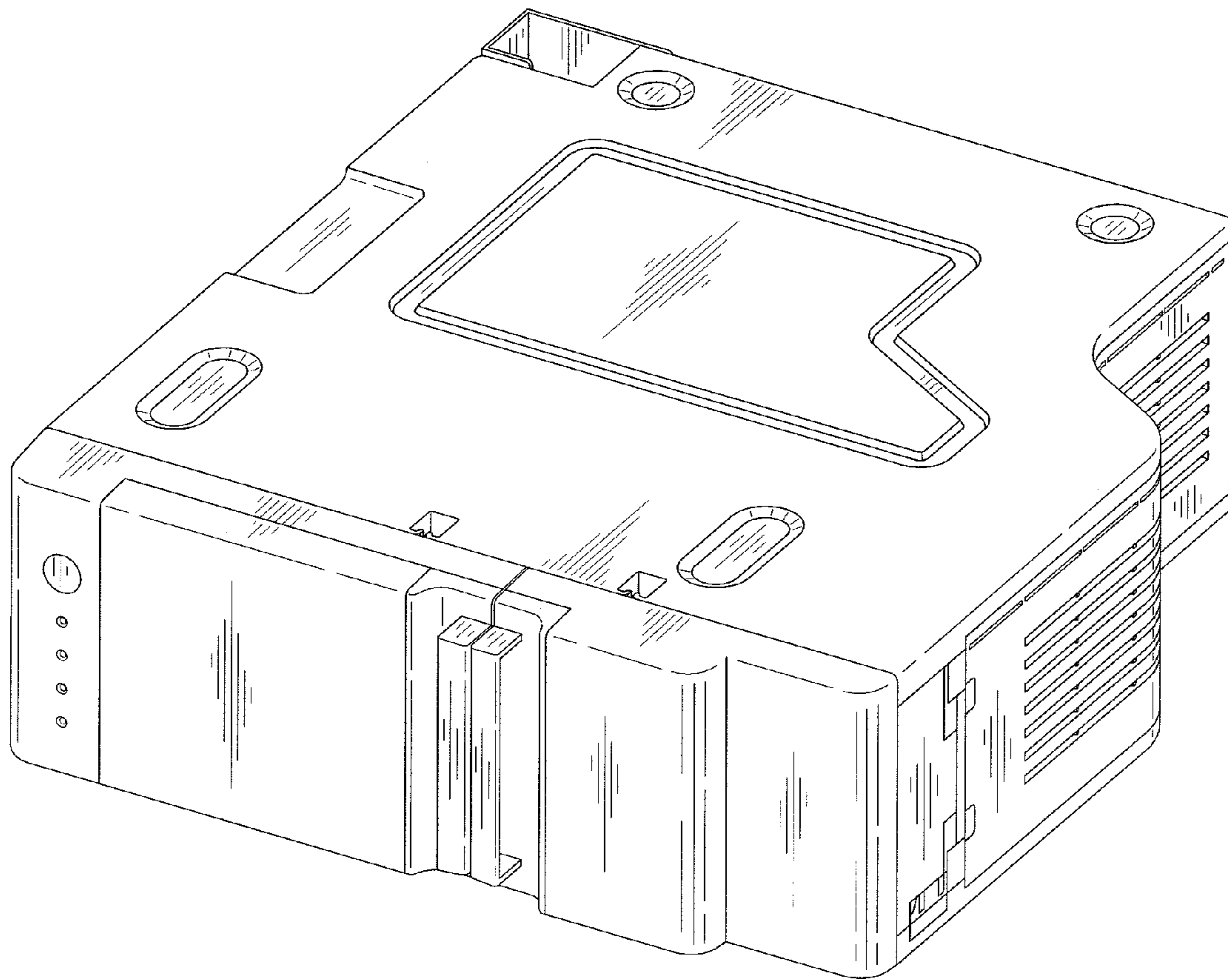


FIG. 1

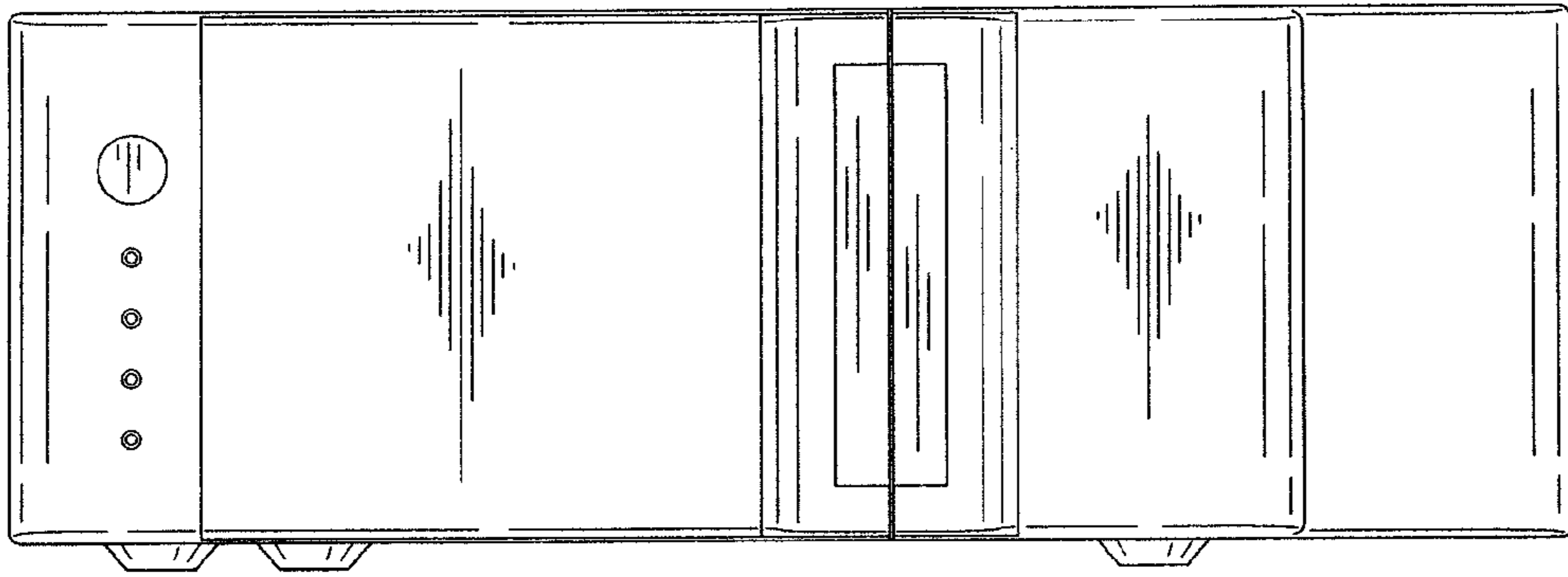


FIG. 2

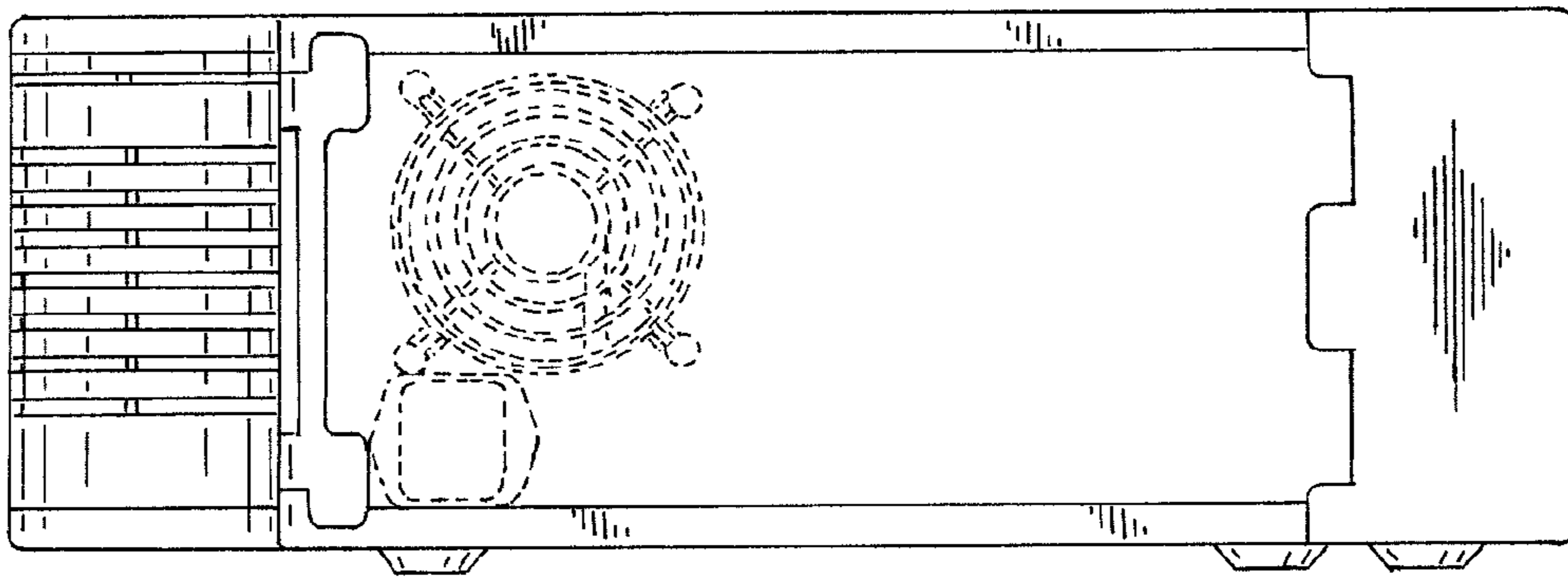


FIG. 3

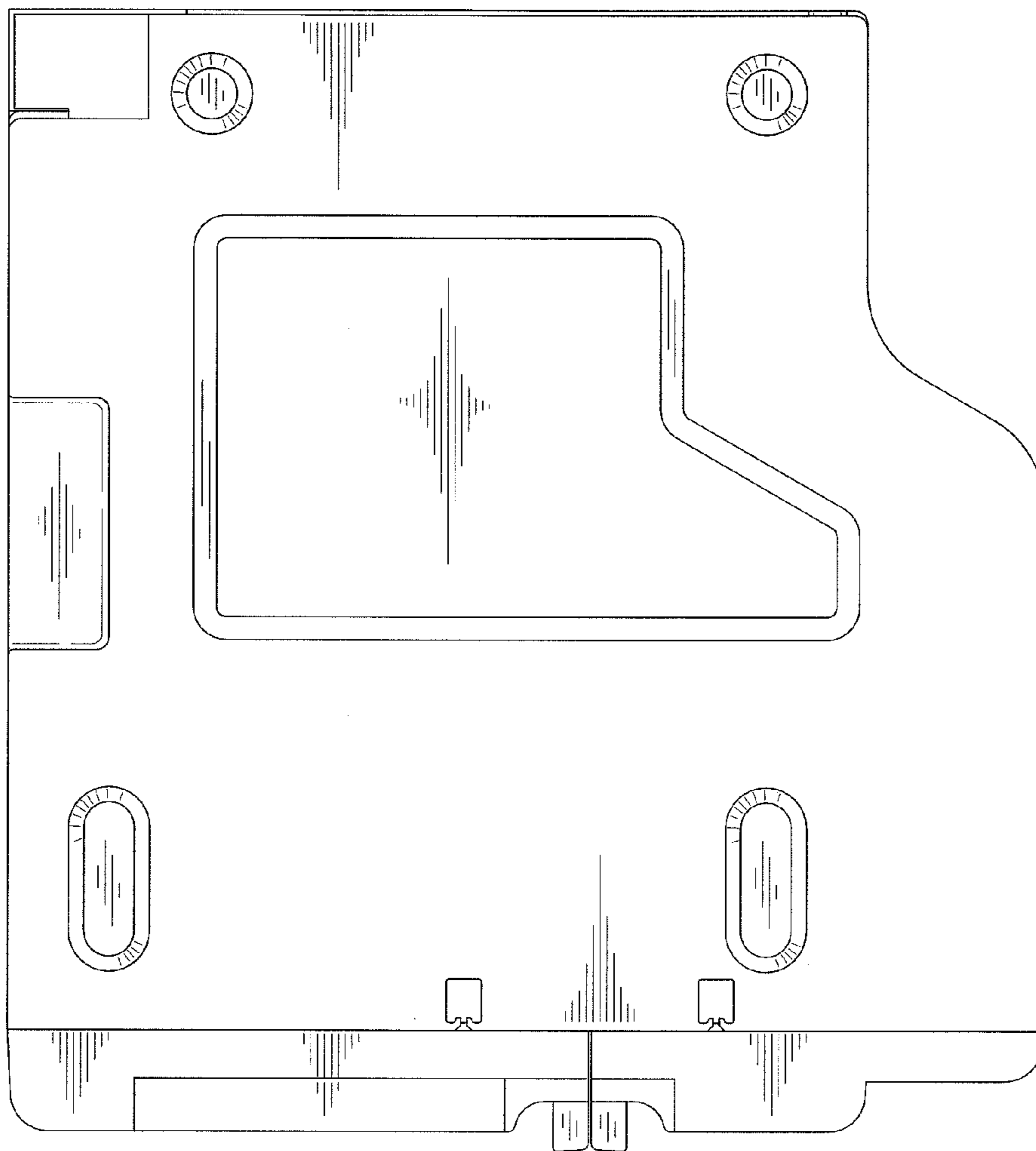


FIG. 4

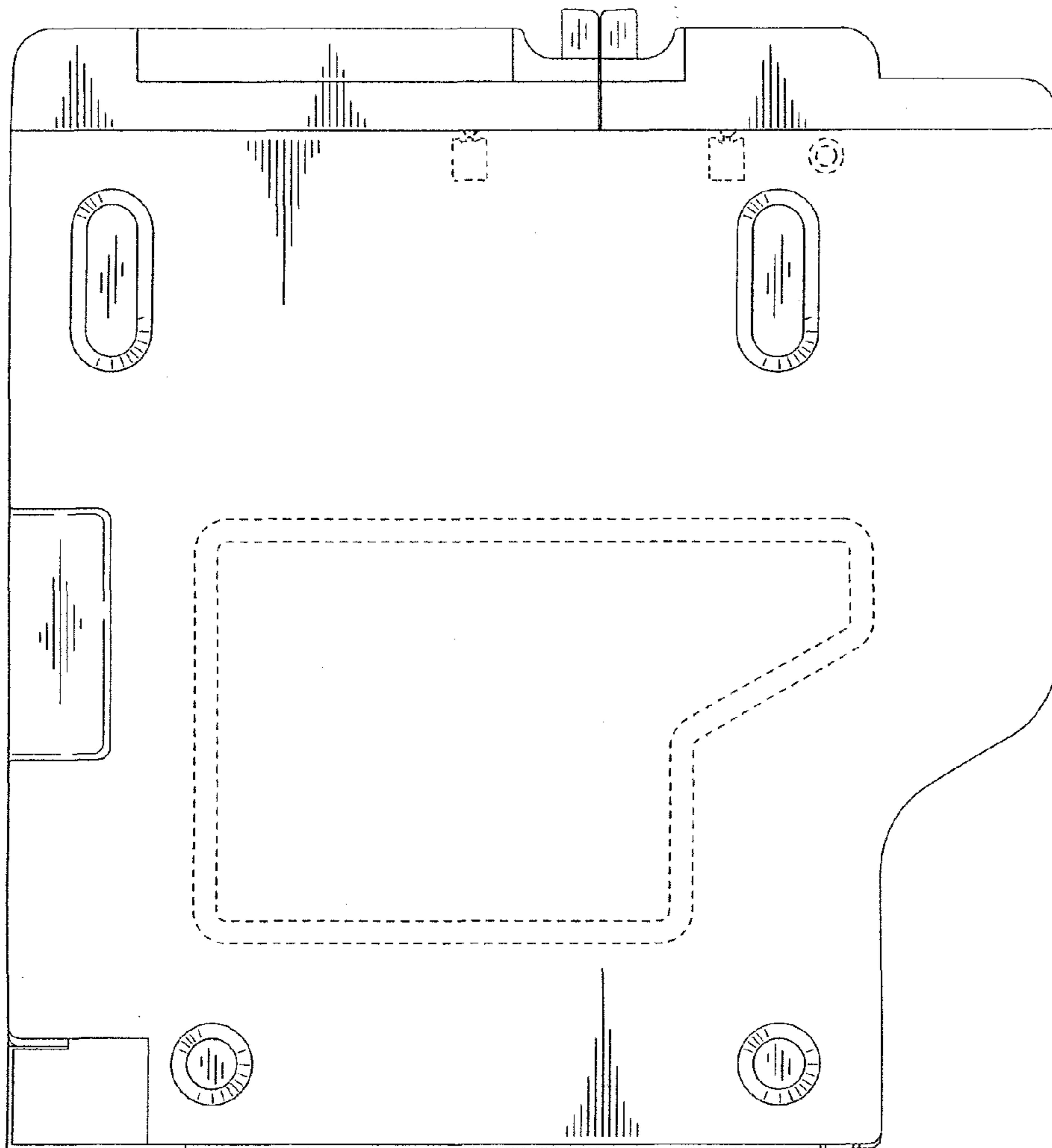


FIG. 5

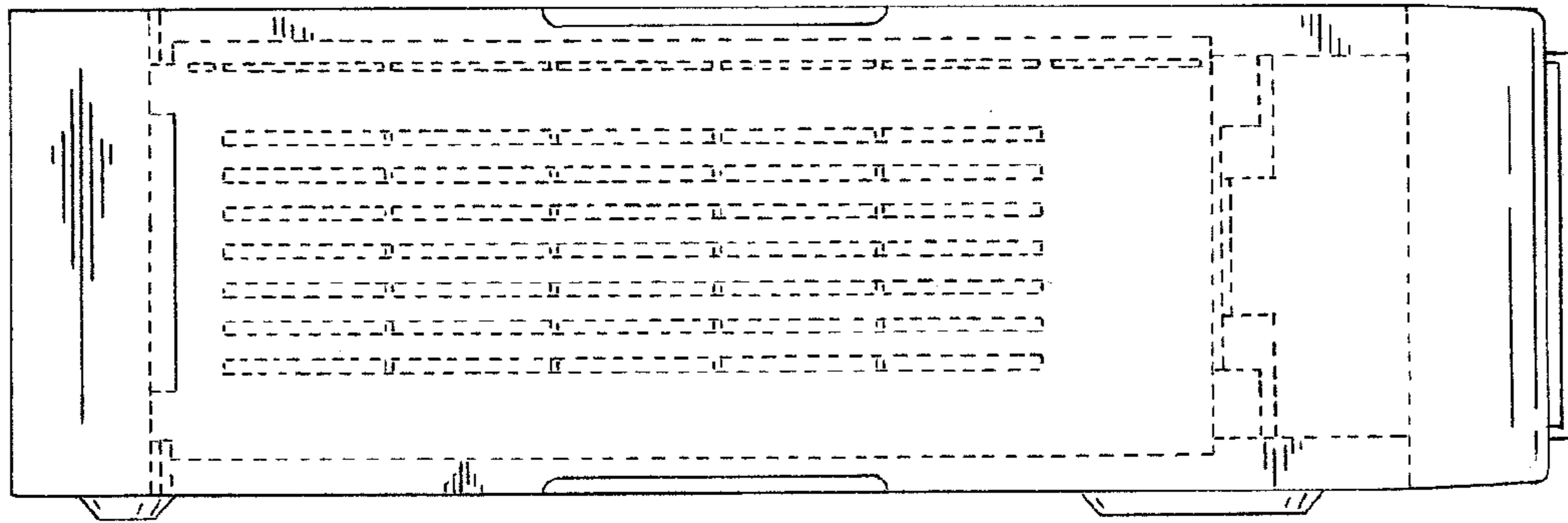


FIG. 6

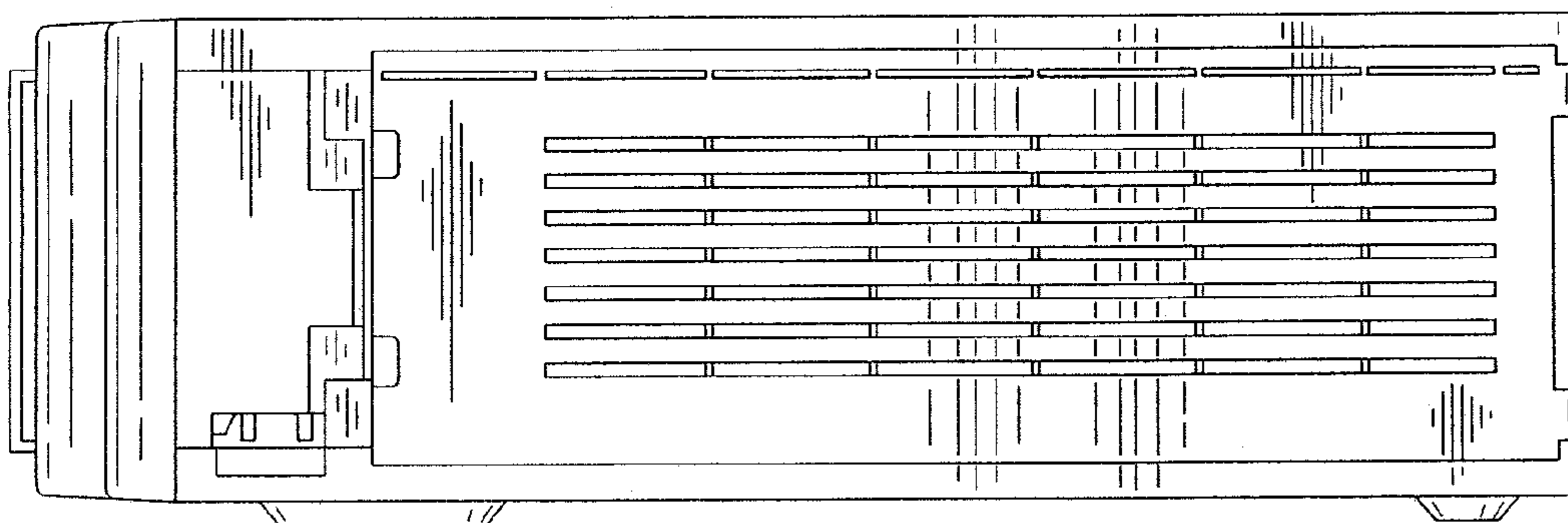


FIG. 7