



US00D645975S

(12) **United States Design Patent**
Barkey

(10) **Patent No.:** **US D645,975 S**

(45) **Date of Patent:** **** Sep. 27, 2011**

(54) **PLASMA WARMING DEVICE**

(75) **Inventor:** **Volker Barkey, Bielefeld (DE)**

(73) **Assignee:** **Barkey GmbH & Co. KG,**
Leopoldshoehe (DE)

(**) **Term:** **14 Years**

(21) **Appl. No.:** **29/287,911**

(22) **Filed:** **Oct. 1, 2007**

(30) **Foreign Application Priority Data**

Mar. 29, 2007 (EM) 000698410
Mar. 29, 2007 (EM) 000724406

(51) **LOC (9) Cl.** **24-02**

(52) **U.S. Cl.** **D24/232; D24/108**

(58) **Field of Classification Search** D24/111,
D24/129, 169, 206, 207, 227, 231, 232, 186;
D13/162; D10/81; 219/400, 417, 428, 451.1,
219/453.11, 526-528, 537-538; 607/105;
392/465; 604/113-114

See application file for complete search history.

(56) **References Cited**

U.S. PATENT DOCUMENTS

D222,195 S * 10/1971 John D24/169
D250,045 S * 10/1978 Granzow et al. D24/169
5,125,069 A * 6/1992 O'Boyle 607/106
D335,538 S * 5/1993 Deutsch et al. D24/169
D459,481 S * 6/2002 Levin D24/232

D537,951 S * 3/2007 Okamoto et al. D24/233
D554,070 S * 10/2007 Bolotin et al. D13/162
D561,349 S * 2/2008 Levin D24/232
D581,823 S * 12/2008 Mori et al. D10/81
D591,864 S * 5/2009 Schmidt D24/216
D607,569 S * 1/2010 Yukikado et al. D24/186

* cited by examiner

Primary Examiner — T. Chase Nelson

Assistant Examiner — Mark Cavanna

(74) *Attorney, Agent, or Firm* — Birch, Stewart, Kolasch & Birch, LLP

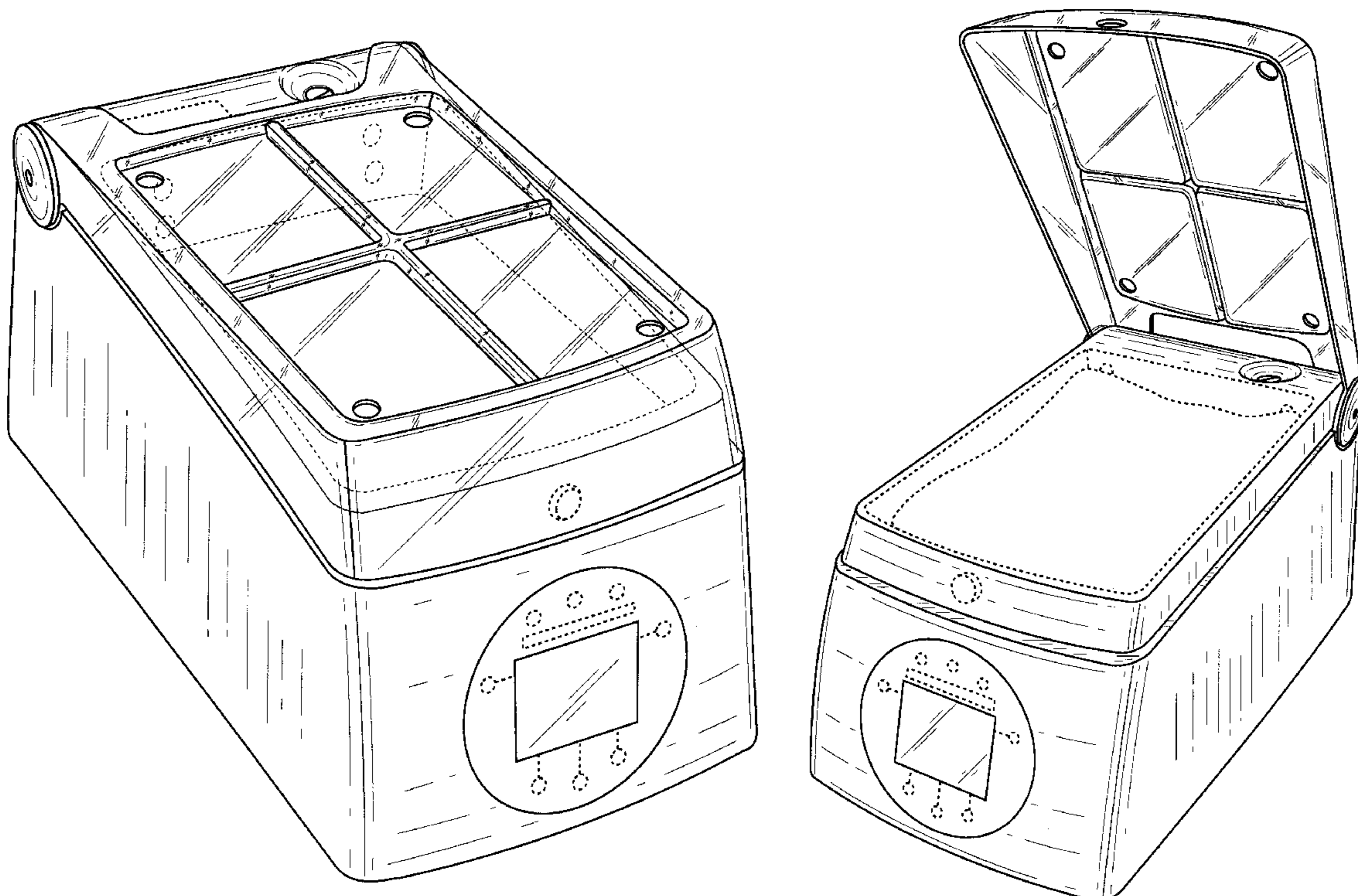
(57) **CLAIM**

The ornamental design for a plasma warming device, as shown and described.

DESCRIPTION

FIG. 1 is a front, left perspective view of the plasma warming device showing my new design with the warming cavity shown empty for clarity of illustration; FIG. 2 is a left perspective side view thereof; FIG. 3 is a top, front perspective view thereof; FIG. 4 is a top, rear view thereof; FIG. 5 is a front enlarged view thereof; FIG. 6 is a front, right perspective view with the lid in an open position with the plasma bags shown in broken line installed for clarity of illustration; and, FIG. 7 is an exploded reference view thereof. The broken line showing is for illustrative purposes only and forms no part of the claimed design.

1 Claim, 7 Drawing Sheets



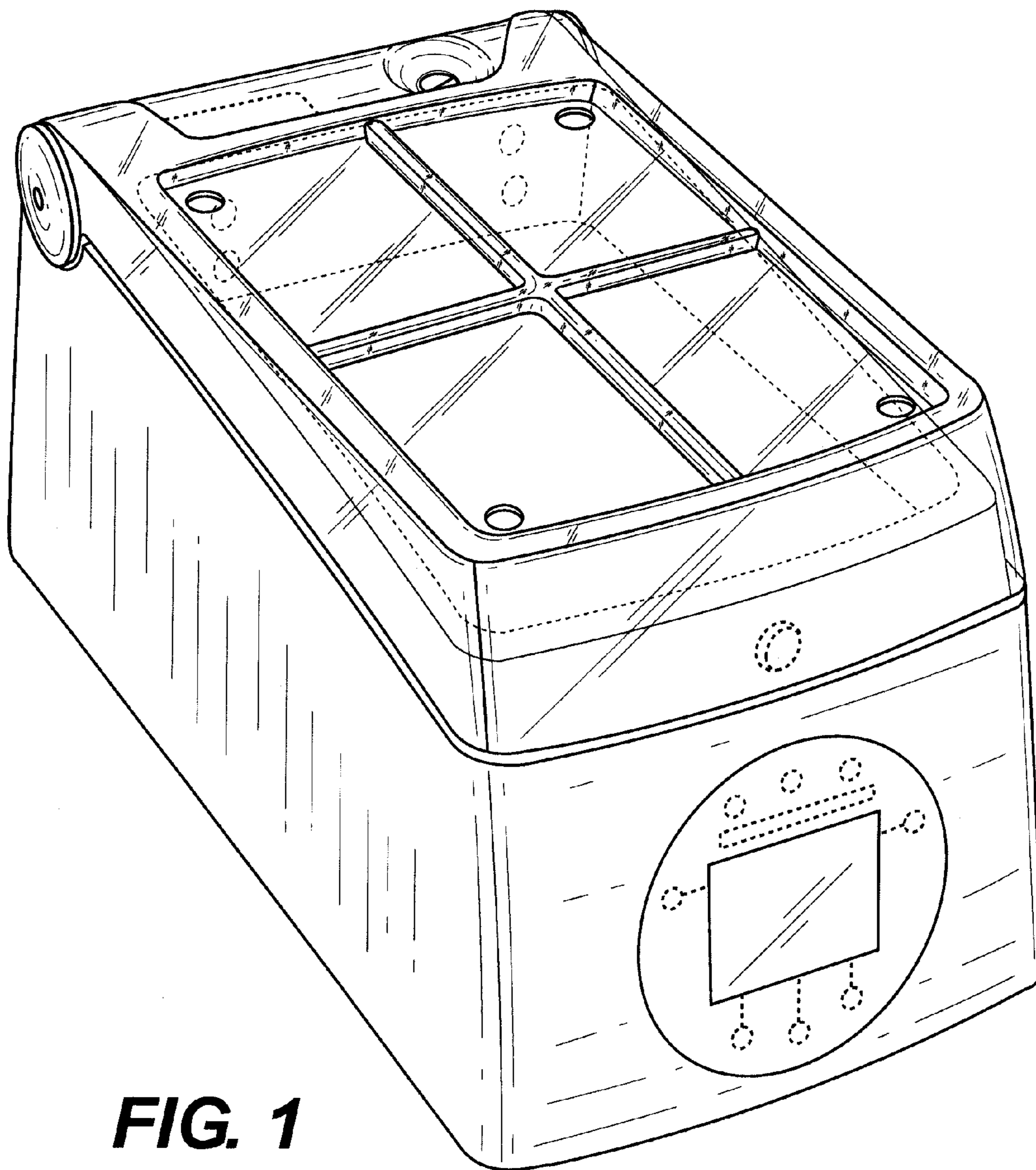


FIG. 1

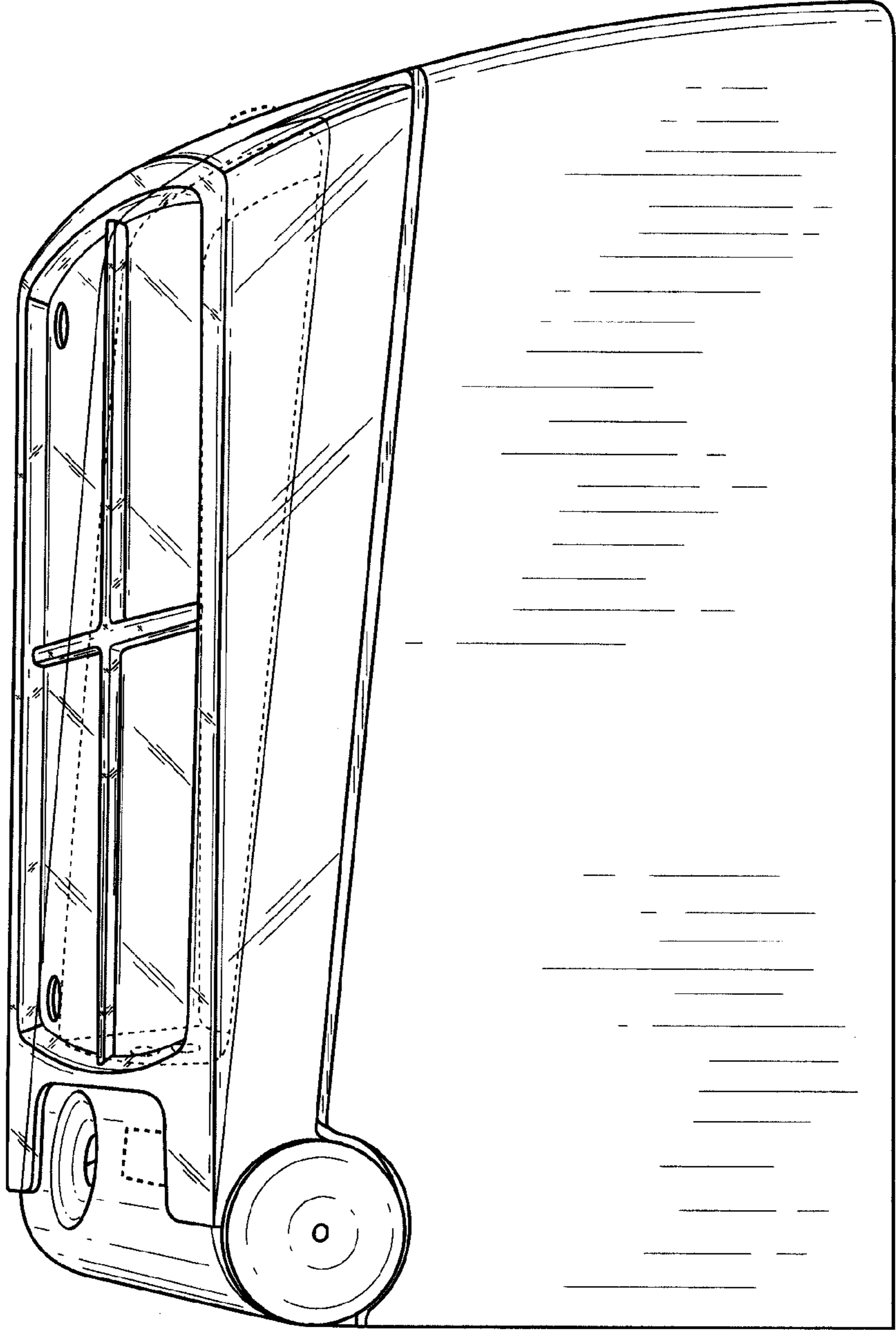


FIG. 2

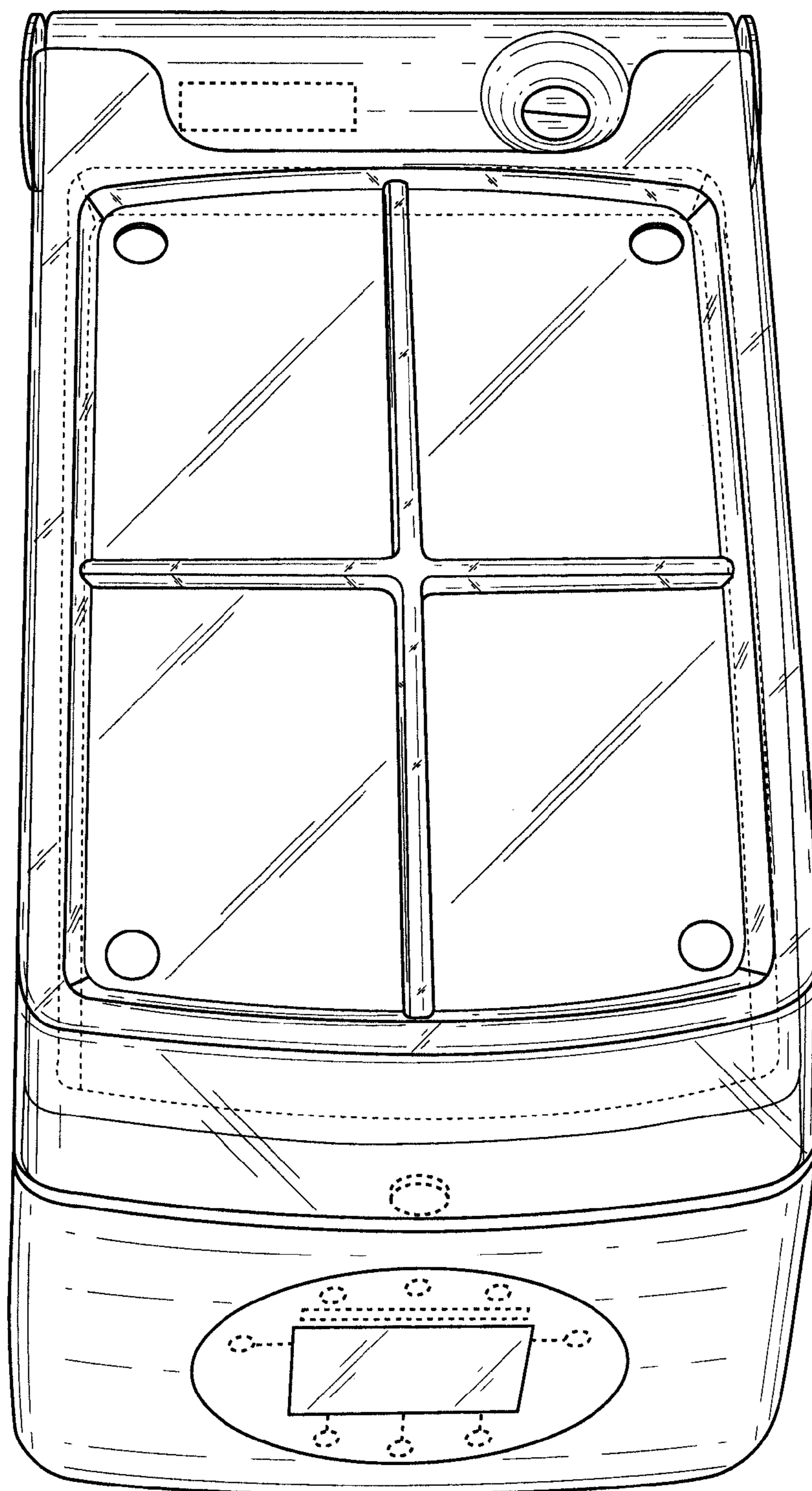


FIG. 3

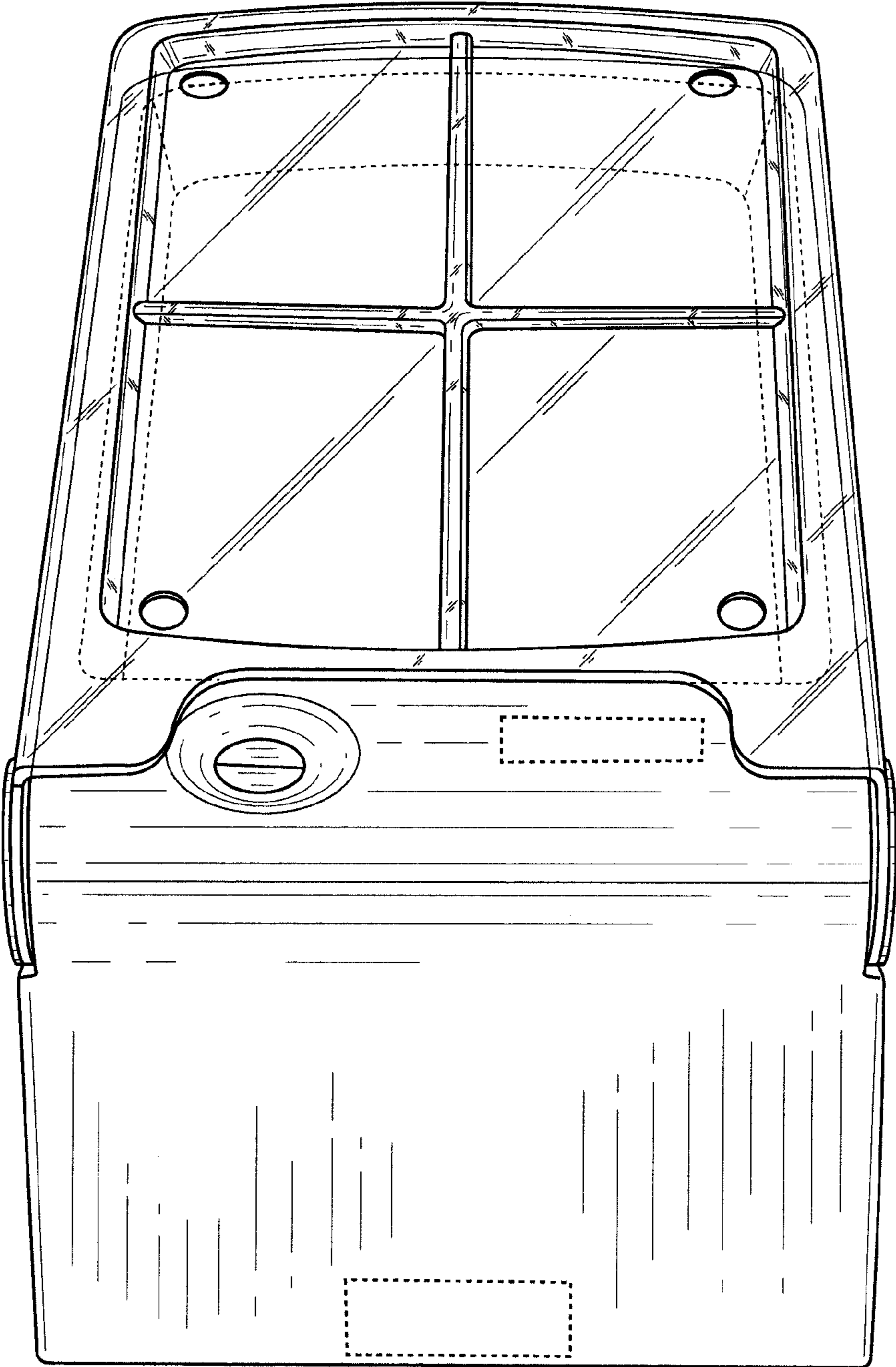


FIG. 4

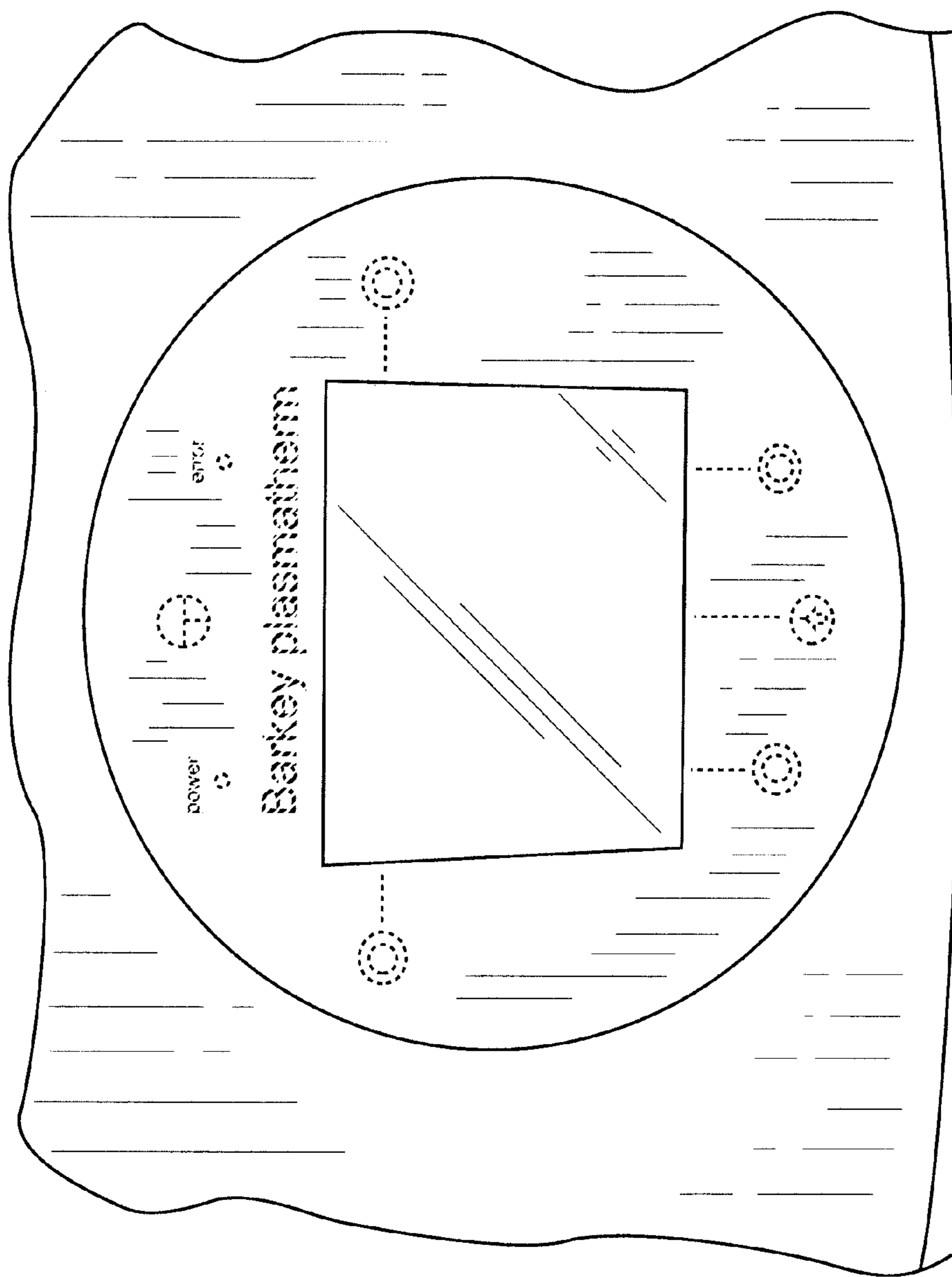


FIG. 5

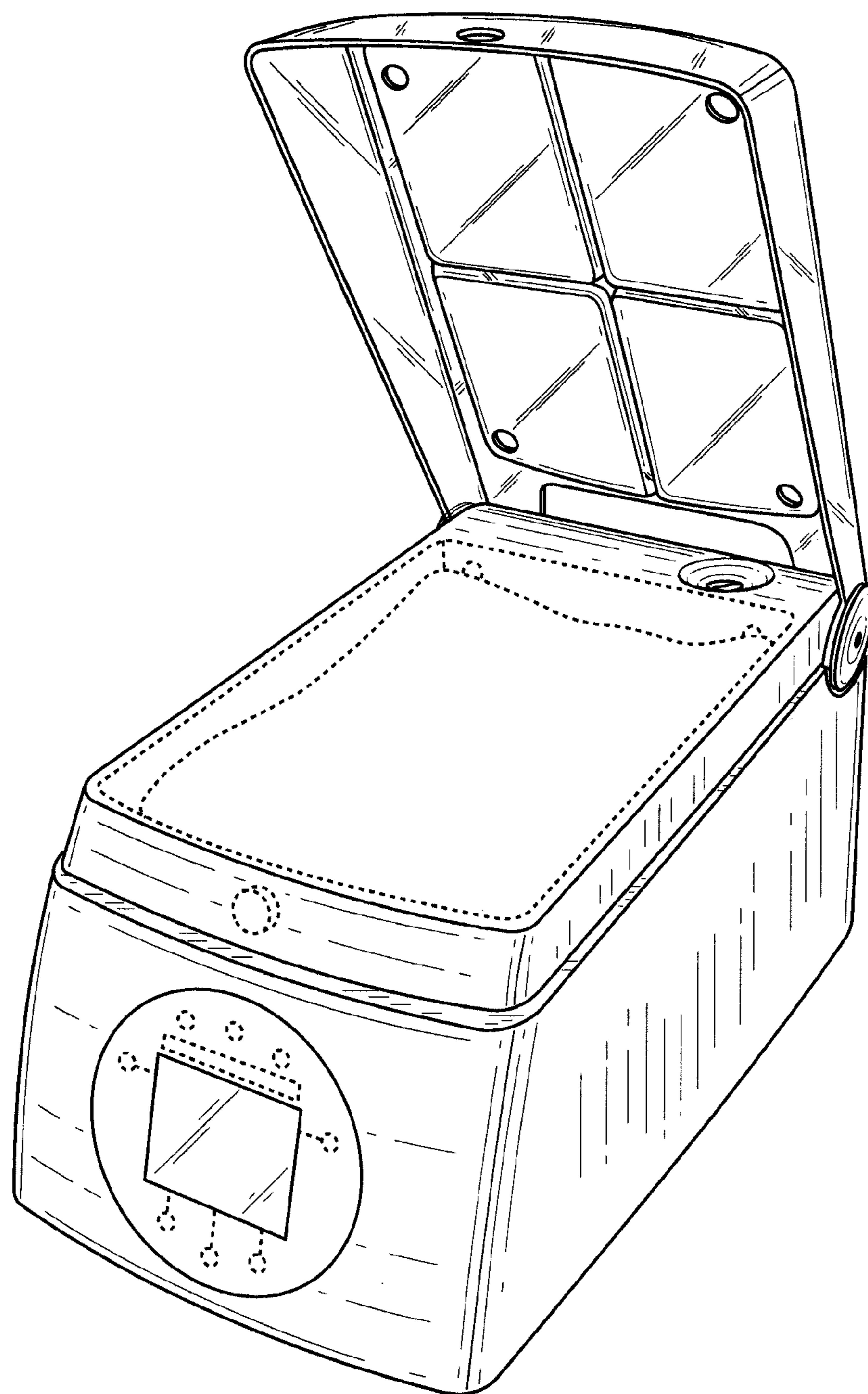


FIG. 6

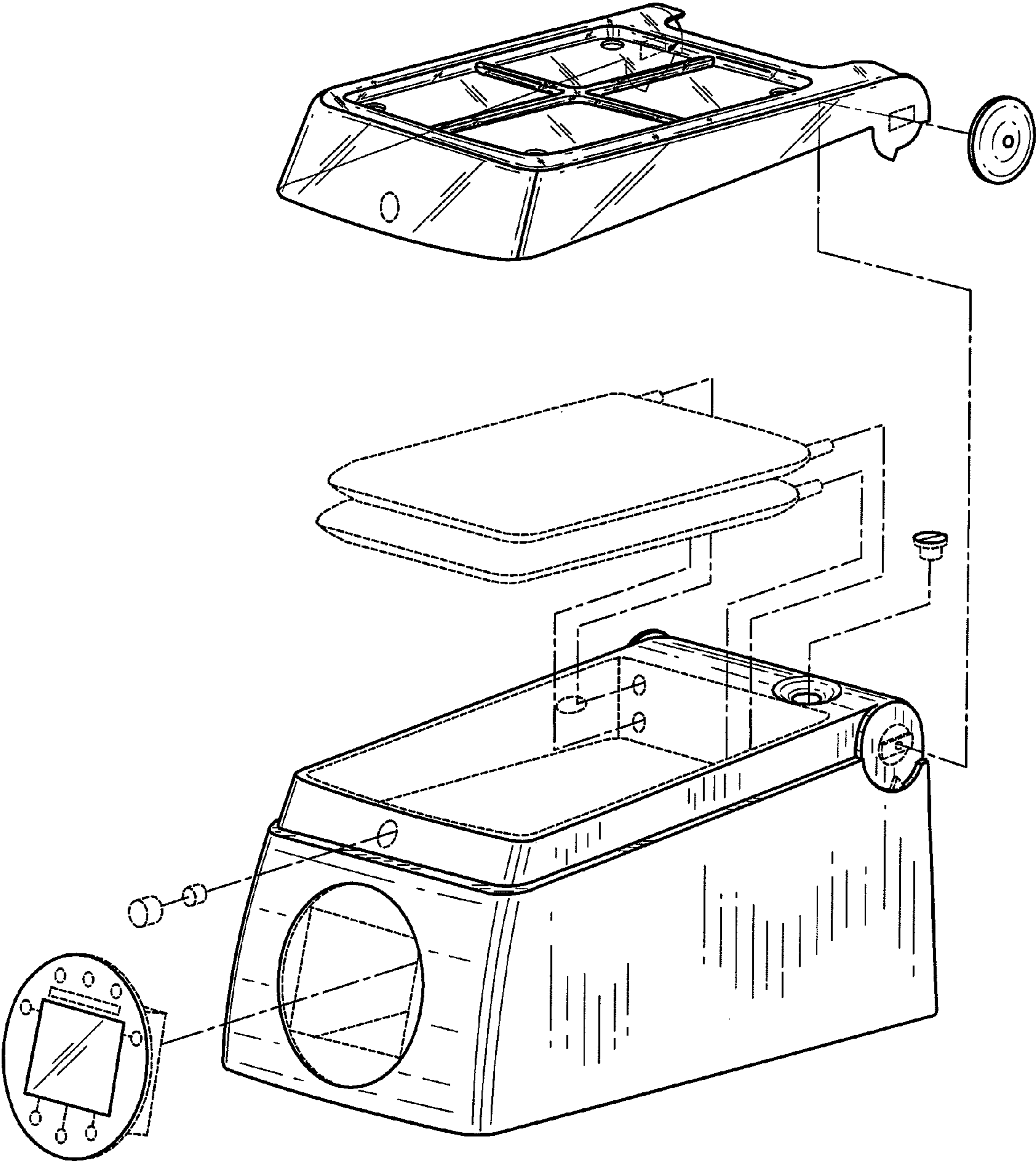


FIG. 7