



US00D645973S

(12) **United States Design Patent**
Hoenes

(10) **Patent No.:** **US D645,973 S**

(45) **Date of Patent:** **** Sep. 27, 2011**

(54) **REAGENT CARTRIDGE FOR HOLDING REAGENTS IN A CHEMISTRY ANALYZER**

(75) **Inventor:** **Erik Robert Hoenes**, Laguna Niguel, CA (US)

(73) **Assignee:** **Beckman Coulter, Inc.**, Brea, CA (US)

(**) **Term:** **14 Years**

(21) **Appl. No.:** **29/379,633**

(22) **Filed:** **Nov. 22, 2010**

(51) **LOC (9) Cl.** **24-01**

(52) **U.S. Cl.** **D24/224**

(58) **Field of Classification Search** D24/216-232,
D24/130, 169; D10/81; 422/500, 547, 549,
422/556, 557, 558; 435/287.1, 288.1
See application file for complete search history.

4,274,885 A	6/1981	Swartout
4,287,155 A	9/1981	Tersteeg et al.
D261,552 S	10/1981	Boroda
4,344,768 A	8/1982	Parker et al.
4,346,056 A	8/1982	Sakurada
4,360,360 A	11/1982	Chiknas
4,371,498 A	2/1983	Scordato et al.
4,387,164 A	6/1983	Hevey et al.
4,391,780 A	7/1983	Boris
D276,264 S	11/1984	Boris
D276,265 S	11/1984	Boris
D276,266 S	11/1984	Boris

(Continued)

FOREIGN PATENT DOCUMENTS

EP 136125 4/1985

(Continued)

Primary Examiner — Anhdao Doan

(74) *Attorney, Agent, or Firm* — Merchant & Gould PC

(56) **References Cited**

U.S. PATENT DOCUMENTS

D149,313 S	4/1948	Shapiro
D159,762 S	8/1950	Touhey
3,295,710 A	1/1967	Marchant
3,554,705 A	1/1971	Johnston et al.
3,582,286 A	6/1971	Hamilton
3,713,985 A	1/1973	Astle
3,788,815 A	1/1974	Rohrbagh
3,883,815 A	1/1974	Hoskins et al.
3,905,772 A	9/1975	Hartnett et al.
3,907,505 A	9/1975	Beall et al.
D237,655 S	11/1975	Engelsher
3,964,831 A	6/1976	Frank
3,964,867 A	6/1976	Berry
3,994,594 A	11/1976	Sandrock
4,043,678 A	8/1977	Farrell et al.
4,083,638 A	4/1978	Sandrock
D250,834 S	1/1979	Ruppert
4,178,152 A	12/1979	Nunogaki
4,200,613 A	4/1980	Alfrey et al.
4,234,540 A	11/1980	Ginsberg et al.
4,251,159 A	2/1981	White

(57) **CLAIM**

The ornamental design for a reagent cartridge for holding reagents in a chemistry analyzer, as shown and described.

DESCRIPTION

FIG. 1 is a top perspective view of a reagent cartridge for holding reagents in a chemistry analyzer showing my new design;

FIG. 2 is a front elevation view thereof;

FIG. 3 is a rear elevation view thereof;

FIG. 4 is a left side elevation view thereof;

FIG. 5 is a right side elevation view thereof;

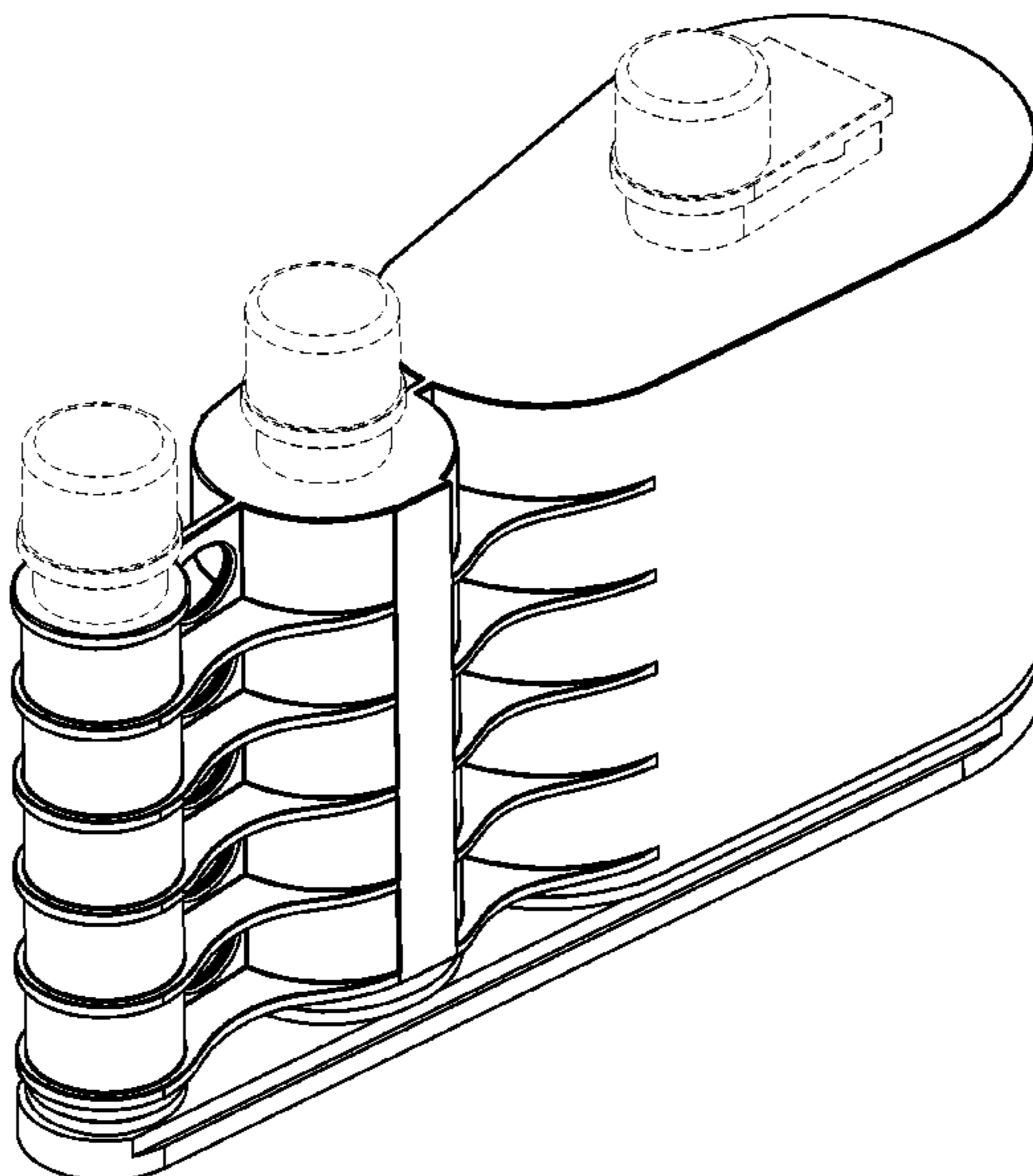
FIG. 6 is a top plan view thereof;

FIG. 7 is a bottom plan view thereof; and,

FIG. 8 is a bottom perspective view thereof.

The broken lines depict portions of the reagent cartridge for holding reagents in a chemistry analyzer that form no part of the claimed design.

1 Claim, 8 Drawing Sheets



US D645,973 S

Page 2

U.S. PATENT DOCUMENTS

D276,267 S 11/1984 Boris
D276,268 S 11/1984 Boris
D276,269 S 11/1984 Boris
D276,270 S 11/1984 Boris
D276,271 S 11/1984 Boris
4,483,925 A 11/1984 Noack
4,515,753 A 5/1985 Smith et al.
4,526,756 A 7/1985 Wong
4,538,727 A 9/1985 Solloway
4,592,478 A 6/1986 Laconis
4,595,562 A 6/1986 Liston et al.
D286,912 S 11/1986 Anderson
D287,638 S 1/1987 Moore et al.
4,640,895 A 2/1987 Davis
4,647,432 A 3/1987 Wakatake
D290,400 S 6/1987 Tong

D291,730 S 9/1987 Kelln et al.
D305,360 S 1/1990 Fechtner
D309,015 S 7/1990 Fechtner et al.
4,970,053 A 11/1990 Fechtner
5,075,082 A 12/1991 Fechtner
D355,260 S * 2/1995 Tomasso D24/224
D400,263 S * 10/1998 Shugart D24/224
D610,699 S * 2/2010 Laudo et al. D24/216
D620,603 S * 7/2010 Talmer et al. D24/224

FOREIGN PATENT DOCUMENTS

EP 0216026 4/1987
EP 0223002 5/1987
EP 0217000 8/1987
WO 8300296 2/1983

* cited by examiner

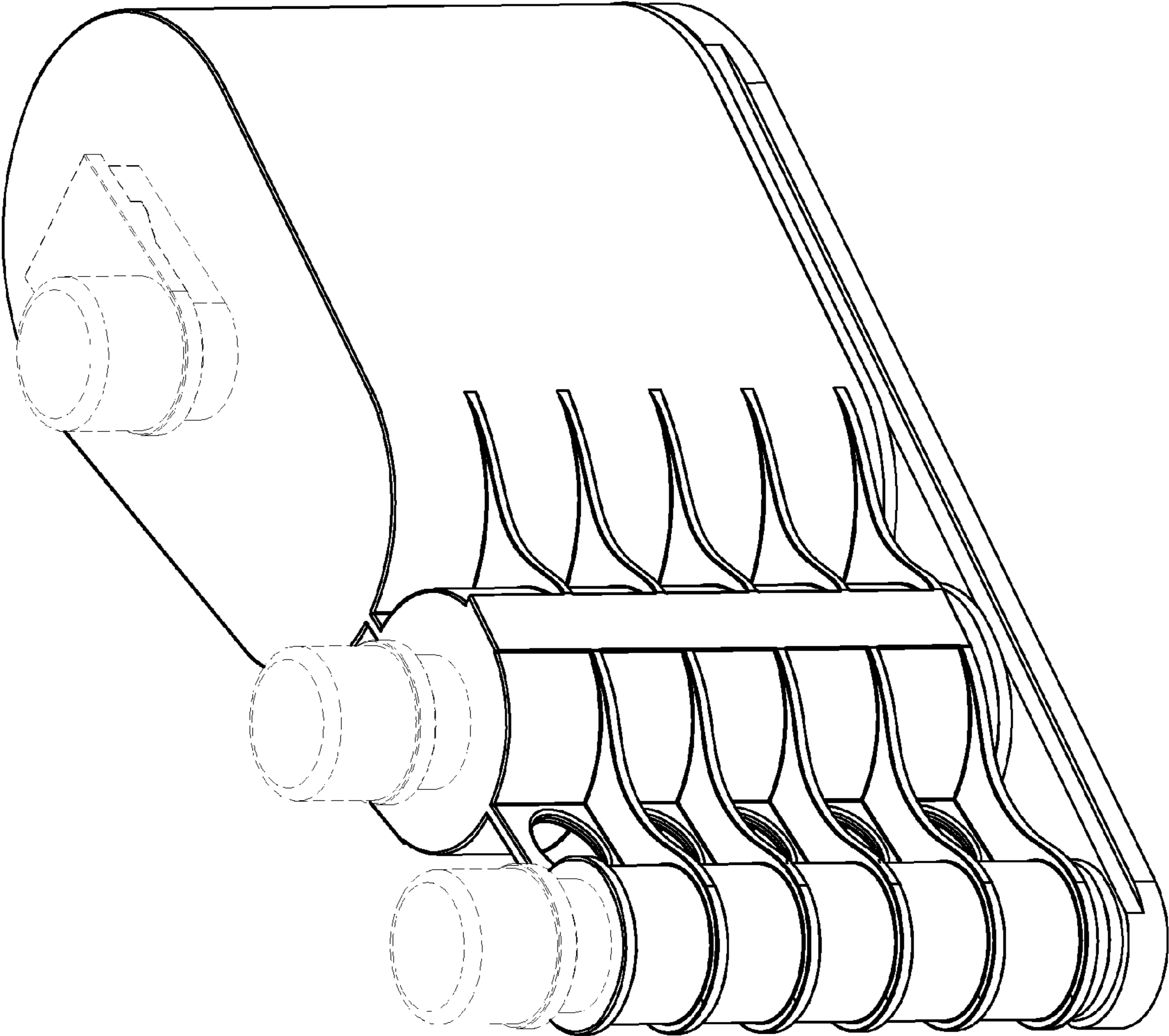


FIG. 1

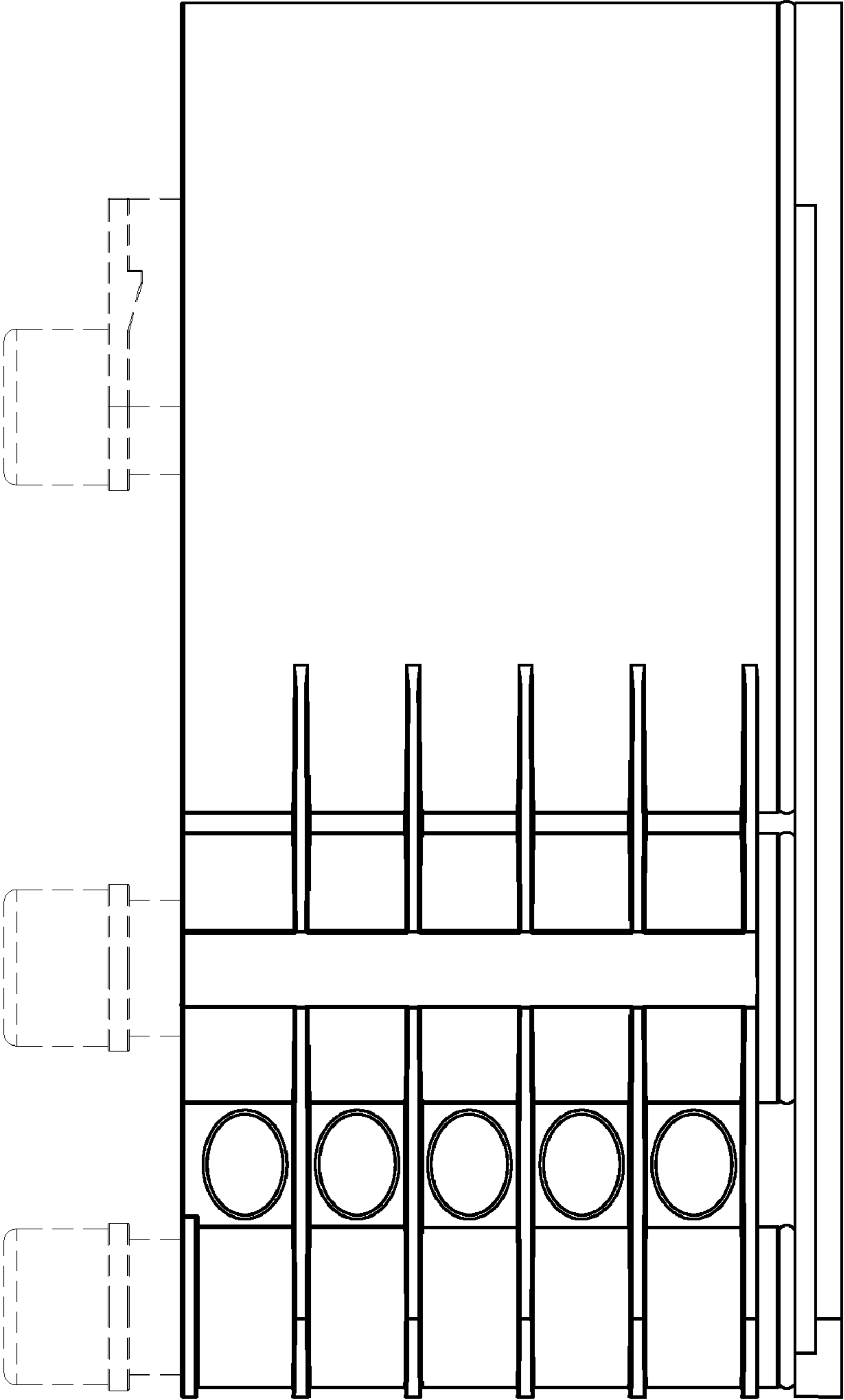


FIG. 2

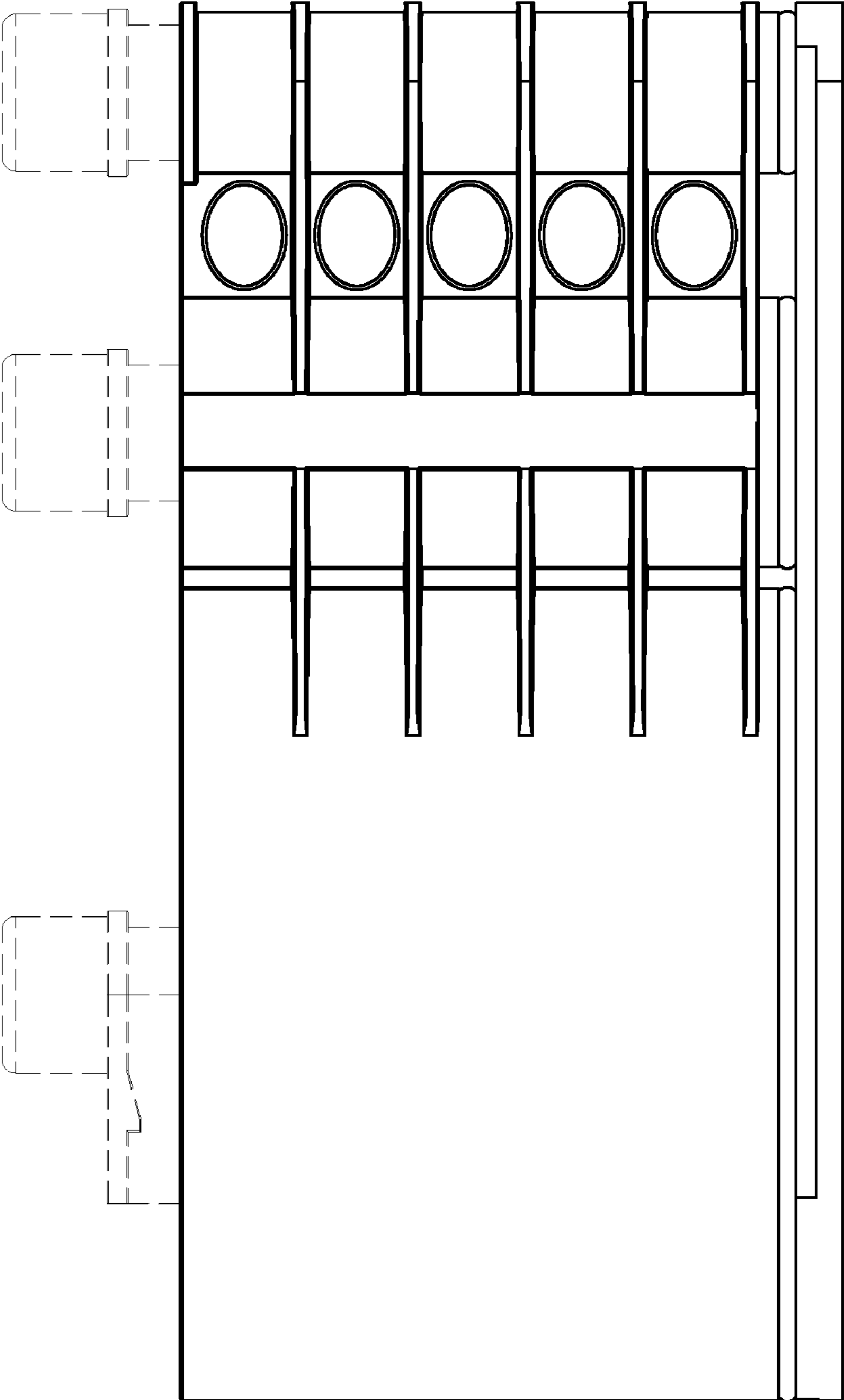


FIG. 3

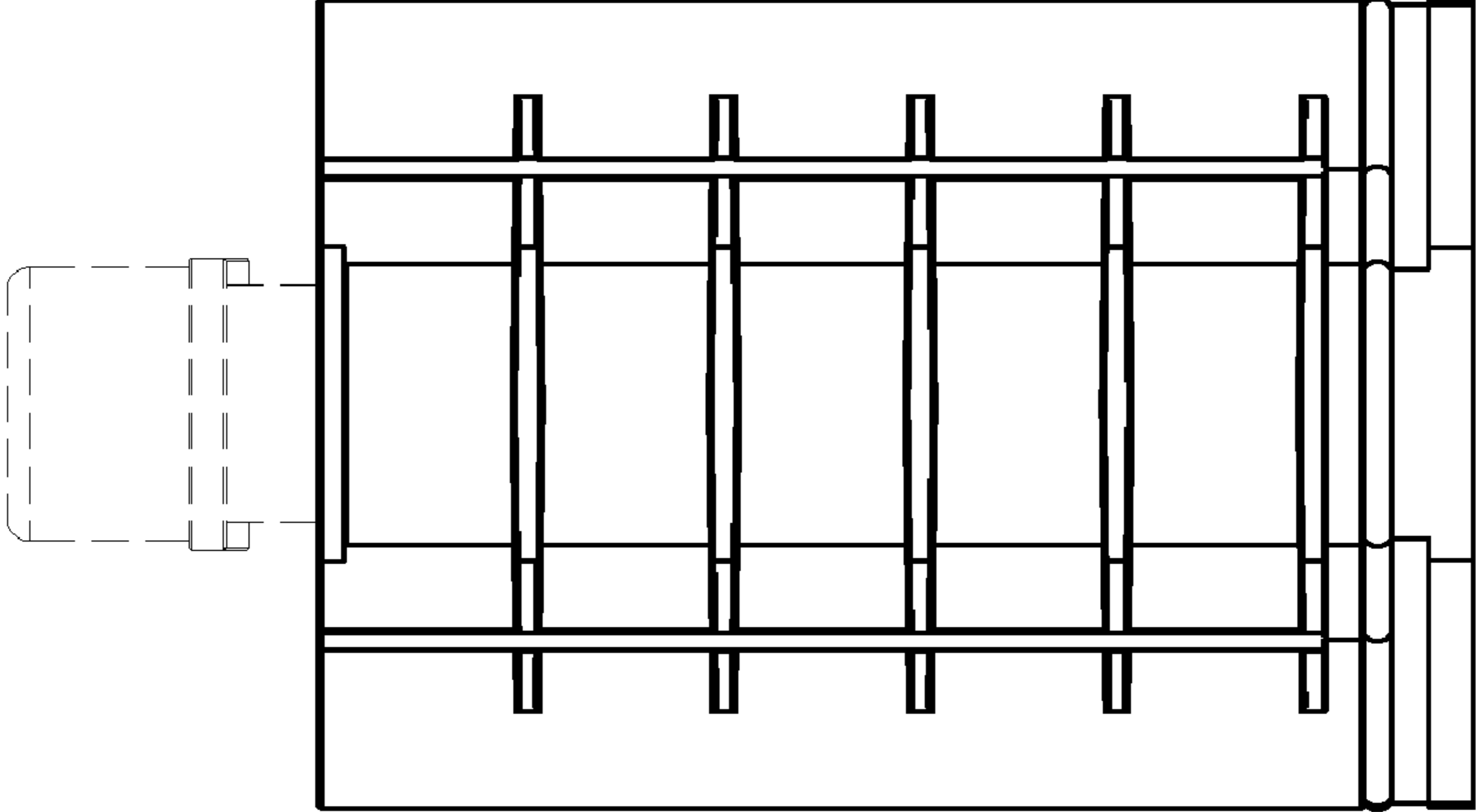


FIG. 4

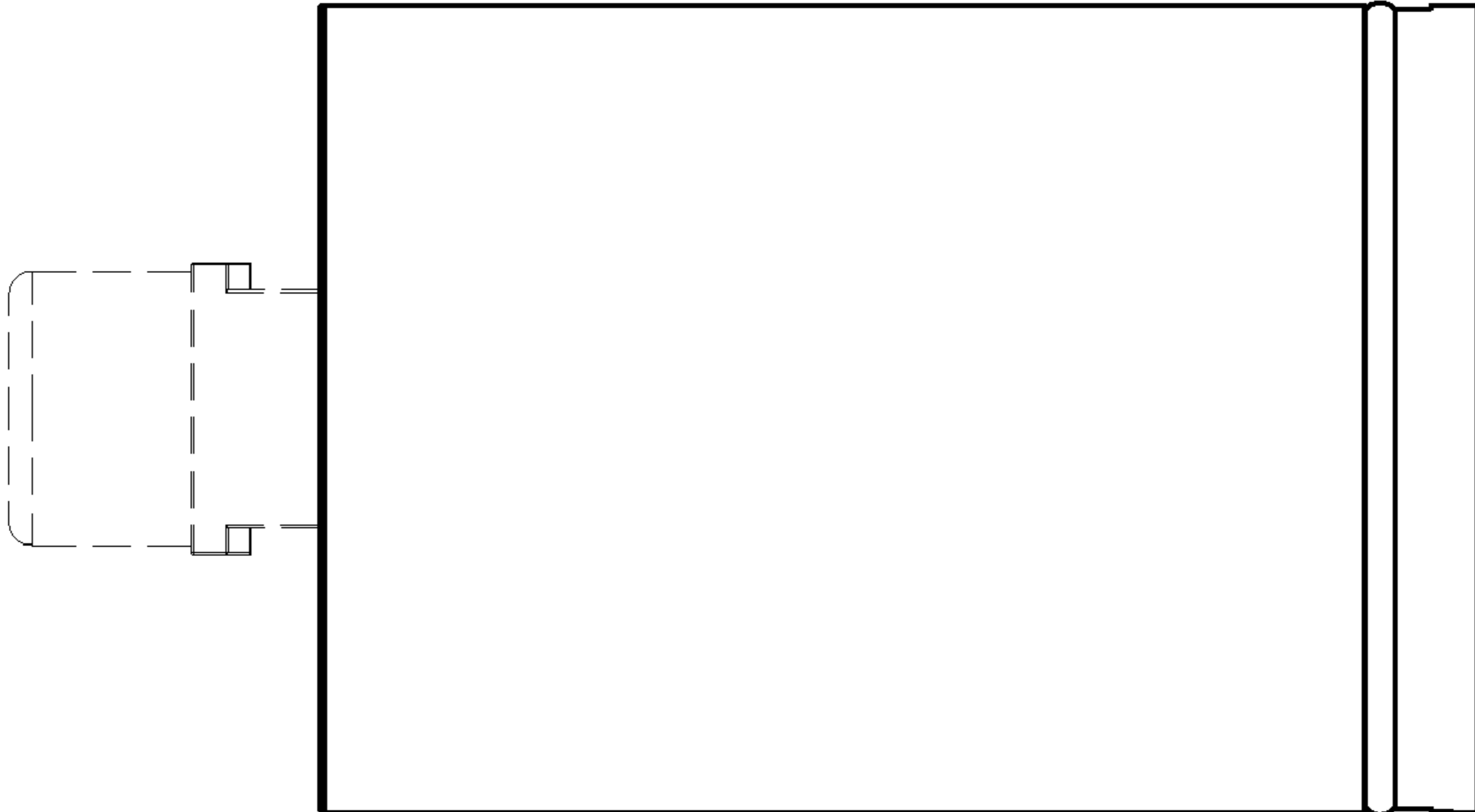


FIG. 5

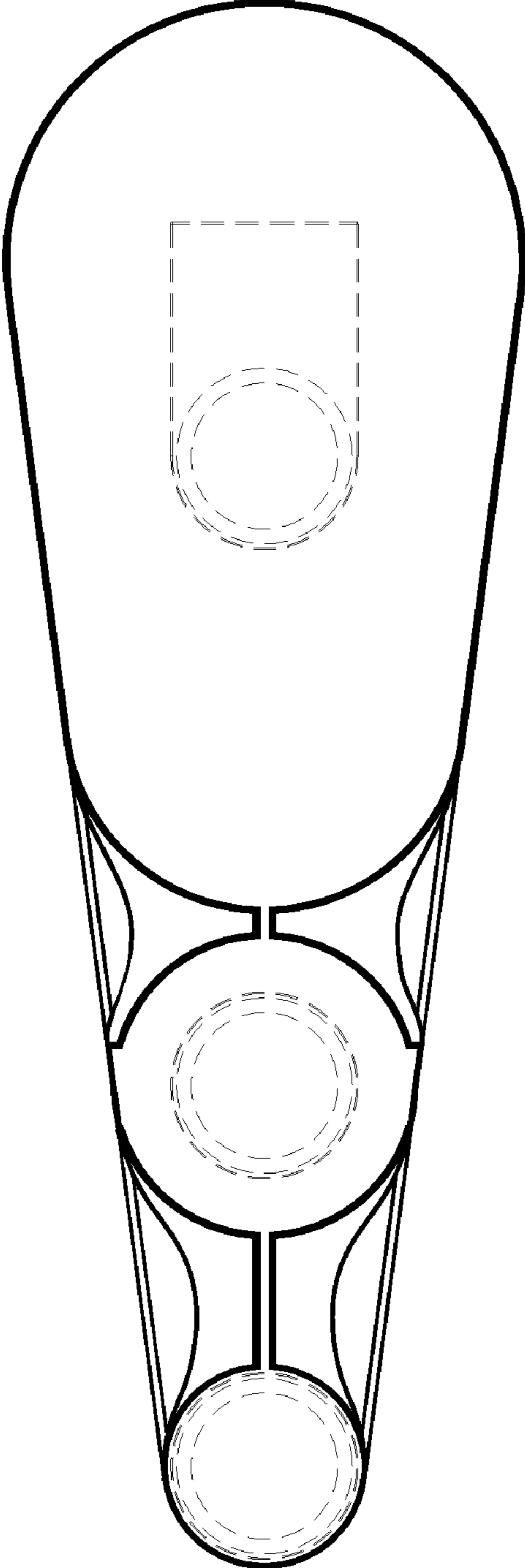


FIG. 6

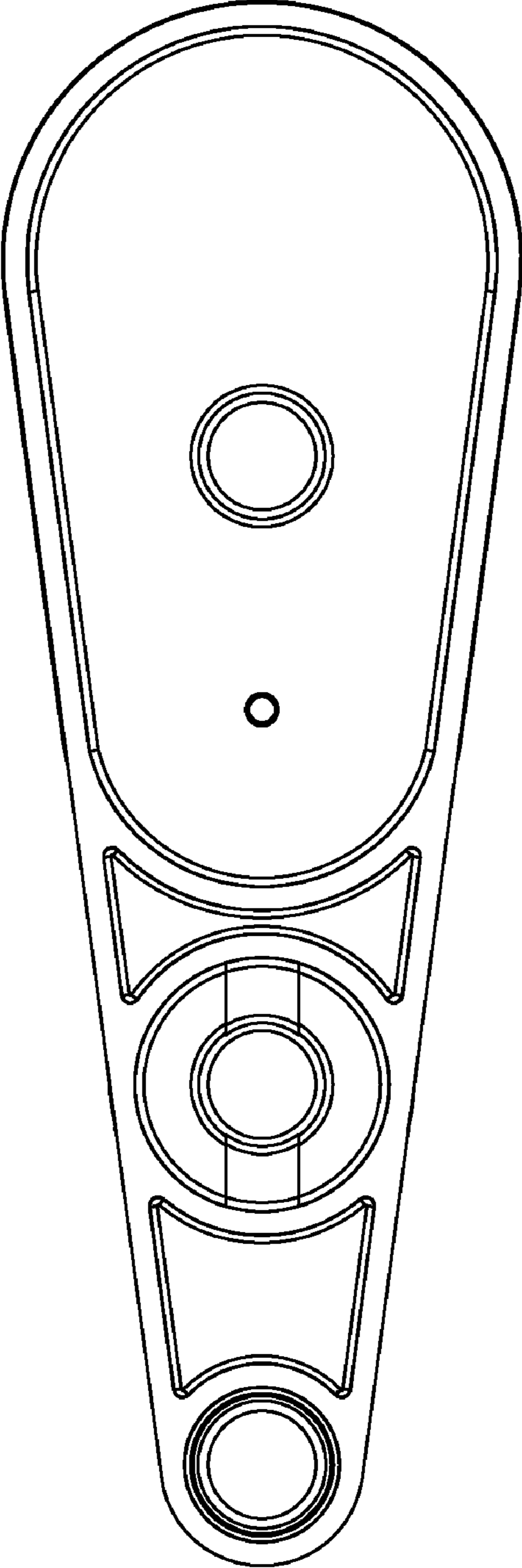


FIG. 7

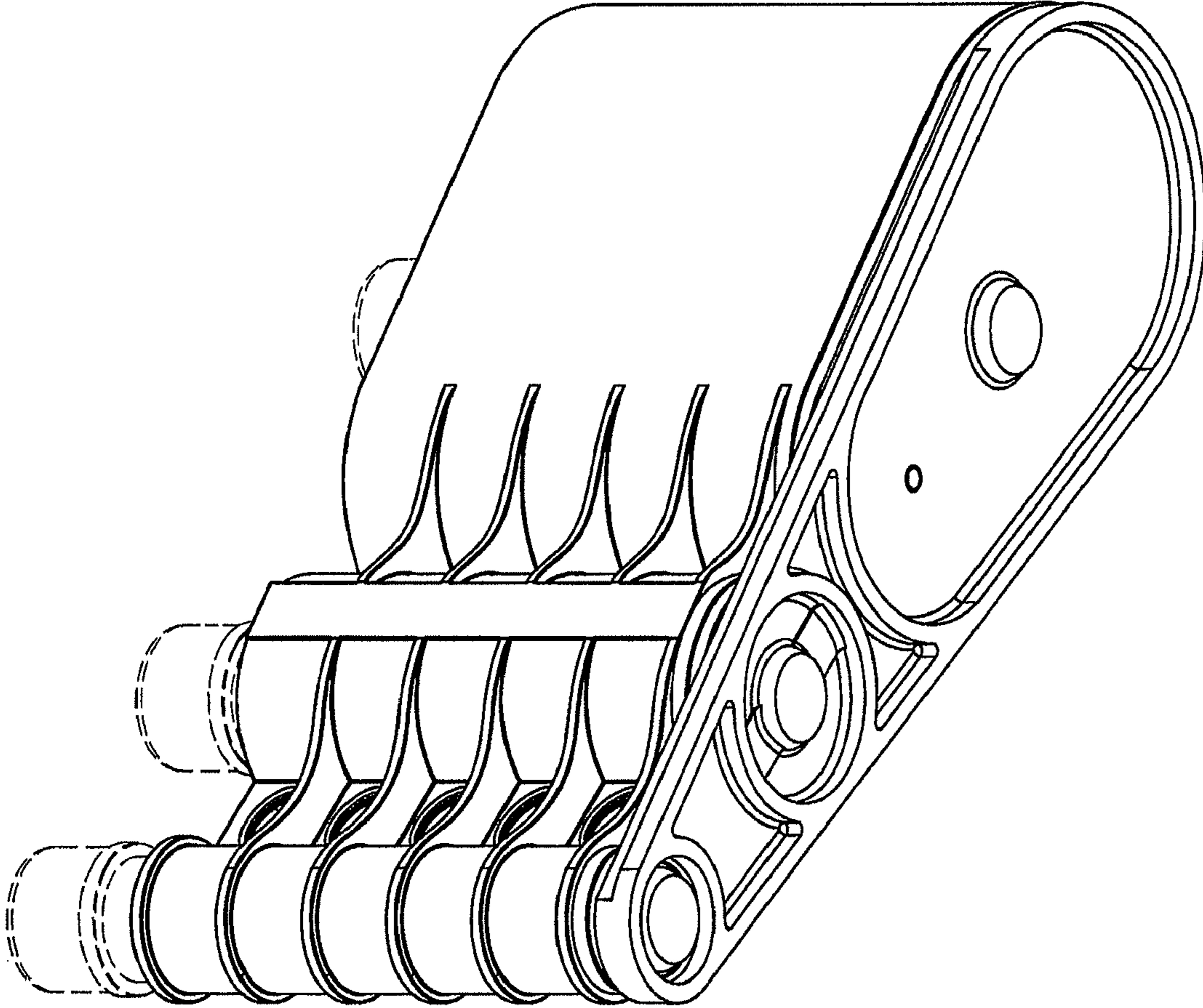


FIG. 8