



US00D645972S

(12) **United States Design Patent**
Wilkinson

(10) **Patent No.:** **US D645,972 S**
(45) **Date of Patent:** **** Sep. 27, 2011**

(54) **SPECIMEN COLLECTION CONTAINER
HAVING A LABEL**

FOREIGN PATENT DOCUMENTS

WO 2009111622 A2 9/2009

(75) Inventor: **Laura Wilkinson**, North Haledon, NJ
(US)

OTHER PUBLICATIONS

Product insert commercially available from Terumo for Venosafe.

(73) Assignee: **Becton, Dickinson and Company**,
Franklin Lakes, NJ (US)

(Continued)

(**) Term: **14 Years**

Primary Examiner — Anhdao Doan

(74) *Attorney, Agent, or Firm* — The Webb Law Firm

(21) Appl. No.: **29/354,479**

(57) **CLAIM**

(22) Filed: **Jan. 25, 2010**

The ornamental design for a specimen collection container having a label, as shown and described.

(51) **LOC (9) Cl.** **24-01**

(52) **U.S. Cl.** **D24/224**

(58) **Field of Classification Search** D24/216,
D24/222–226, 231, 232, 169; D10/81;
D3/203.1–203.8; 422/99, 102; D9/503,
D9/504, 505, 529, 530, 549; 435/288.1,
435/288.3, 288.4, 304.1, 305.1, 305.3, 305.4
See application file for complete search history.

DESCRIPTION

FIG. 1 is a frontward-directed perspective view of a specimen collection container having a label according to the present invention;

FIG. 2 is a left sideward-directed perspective view of the specimen collection container having a label of FIG. 1.

FIG. 3 is a bottom-directed perspective view of the specimen collection container having a label of FIG. 1.

FIG. 4 is a front view of the specimen collection container having a label of FIG. 1.

FIG. 5 is a rear view of the specimen collection container having a label of FIG. 1.

FIG. 6 is a left side view of the specimen collection container having a label of FIG. 1.

FIG. 7 is a right side view of the specimen collection container having a label of FIG. 1.

FIG. 8 is a top view of the specimen collection container having a label of FIG. 1; and,

FIG. 9 is a bottom view of the specimen collection container having a label of FIG. 1.

The broken lines in FIG. 9 are included for the purpose of illustrating portions of the specimen collection container that form no part of the claimed design.

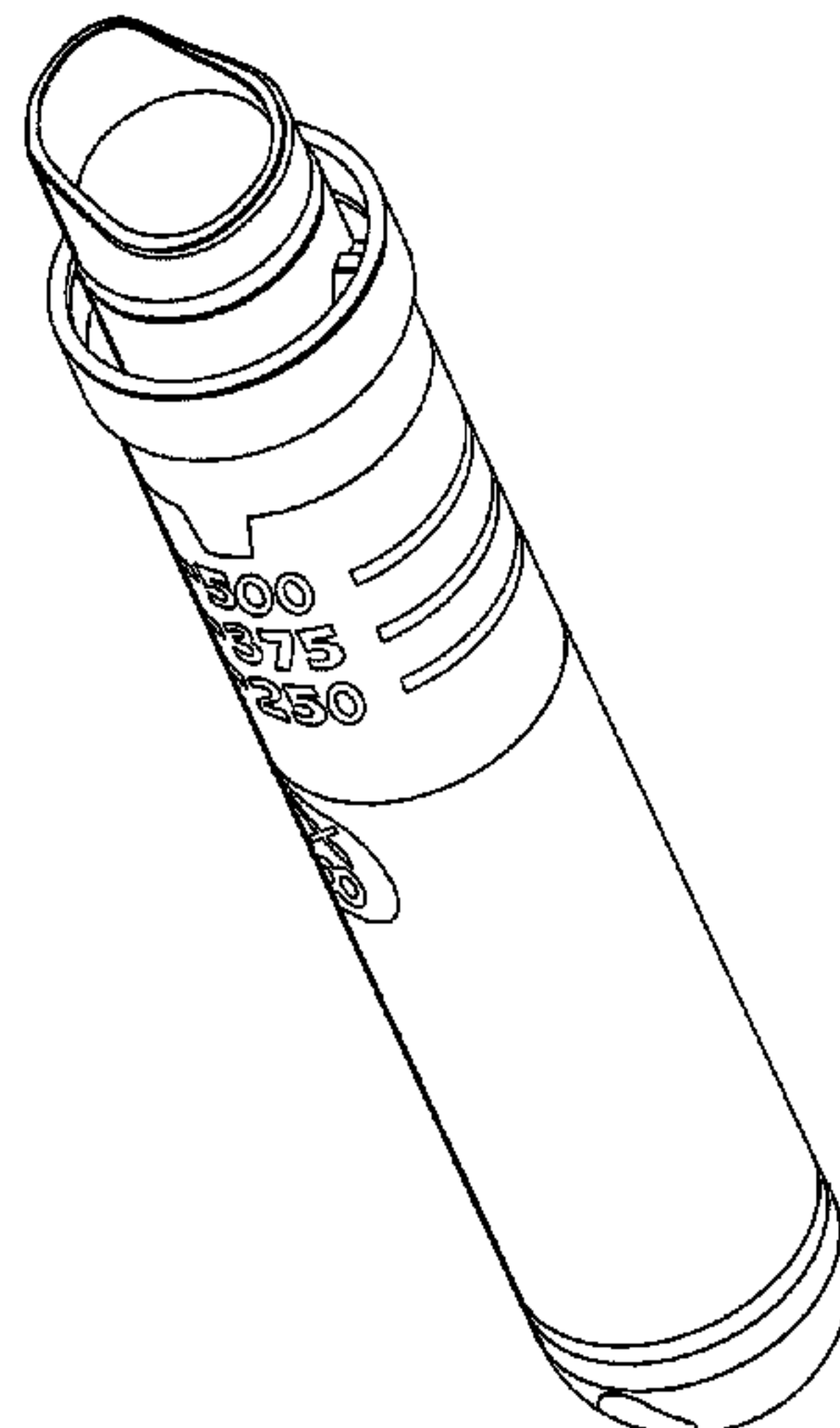
(56) **References Cited**

U.S. PATENT DOCUMENTS

4,397,318	A	8/1983	Burns	
4,411,163	A	10/1983	White	
4,576,185	A	3/1986	Proud et al.	
D285,115	S	8/1986	Proud et al.	
4,646,753	A	3/1987	Nugent	
4,690,153	A	9/1987	Losada et al.	
4,964,413	A	10/1990	Losada et al.	
4,967,763	A	11/1990	Nugent et al.	
5,038,794	A	8/1991	Van Valkenburg	
5,288,466	A	2/1994	Burns	
5,384,096	A	1/1995	Burns	
D356,643	S	3/1995	Burns	
D357,985	S *	5/1995	Burns D24/224
5,458,113	A	10/1995	Burns	
5,458,854	A *	10/1995	Burns 422/102
5,494,170	A	2/1996	Burns	
5,527,513	A	6/1996	Burns	

(Continued)

1 Claim, 8 Drawing Sheets



U.S. PATENT DOCUMENTS

5,552,117	A	9/1996	Burns	
5,672,321	A	9/1997	Daykin	
5,699,923	A	12/1997	Burns	
5,700,429	A *	12/1997	Buhler et al.	422/104
5,711,875	A	1/1998	Kayal et al.	
5,738,233	A	4/1998	Burns	
D425,625	S	5/2000	Niermann	
6,056,925	A	5/2000	Sarstedt	
D436,183	S *	1/2001	Stevens et al.	D24/224
6,221,655	B1	4/2001	Fung et al.	
D444,886	S *	7/2001	Conway	D24/224
D445,908	S *	7/2001	Conway	D24/224
6,358,476	B1	3/2002	Innamorato et al.	
6,426,049	B1	7/2002	Rosen et al.	
6,551,267	B1	4/2003	Cohen et al.	
6,562,300	B2 *	5/2003	Rosen et al.	422/102
7,604,778	B2 *	10/2009	Dause	422/102
D621,522	S *	8/2010	Wilkinson	D24/224
2002/0156439	A1	10/2002	Iskra	
2003/0133844	A1 *	7/2003	Conway	422/102
2005/0229724	A1 *	10/2005	O'Brien et al.	73/864.91
2009/0308184	A1 *	12/2009	Blekher et al.	73/864.63

OTHER PUBLICATIONS

Product insert commercially available from Becton, Dickinson and Company for BD Microtainer Chemistry Tubes.
 Product insert commercially available from Becton, Dickinson and Company for BD Capillary Collection, 2004.
 Product insert commercially available from Becton, Dickinson and Company for BD Microtainer Plasma Separator Tube, 2000.
 Product insert commercially available from Becton, Dickinson and Company for BD Microtainer Tubes with BD Microgard Closure, 2003.
 Product insert commercially available from Becton, Dickinson and Company for BD Microtainer Tubes with Microgard Closure—Tube Guide and Order of Draw, 2003.
 Product insert commercially available from Becton, Dickinson and Company for BD Microtainer Tubes—Tube Guide and Order of Draw, 2003.
 Product Literature commercially available from Greiner Bio One at www.gbo.com/documents/V01_Tube_Guide_000502_e.pdf.
 Portions of product literature catalog commercially available from Greiner Bio One at www.gbo.com/documents/980042_VACUETTEkatalog_rev04_0609_small_e.pdf.

* cited by examiner

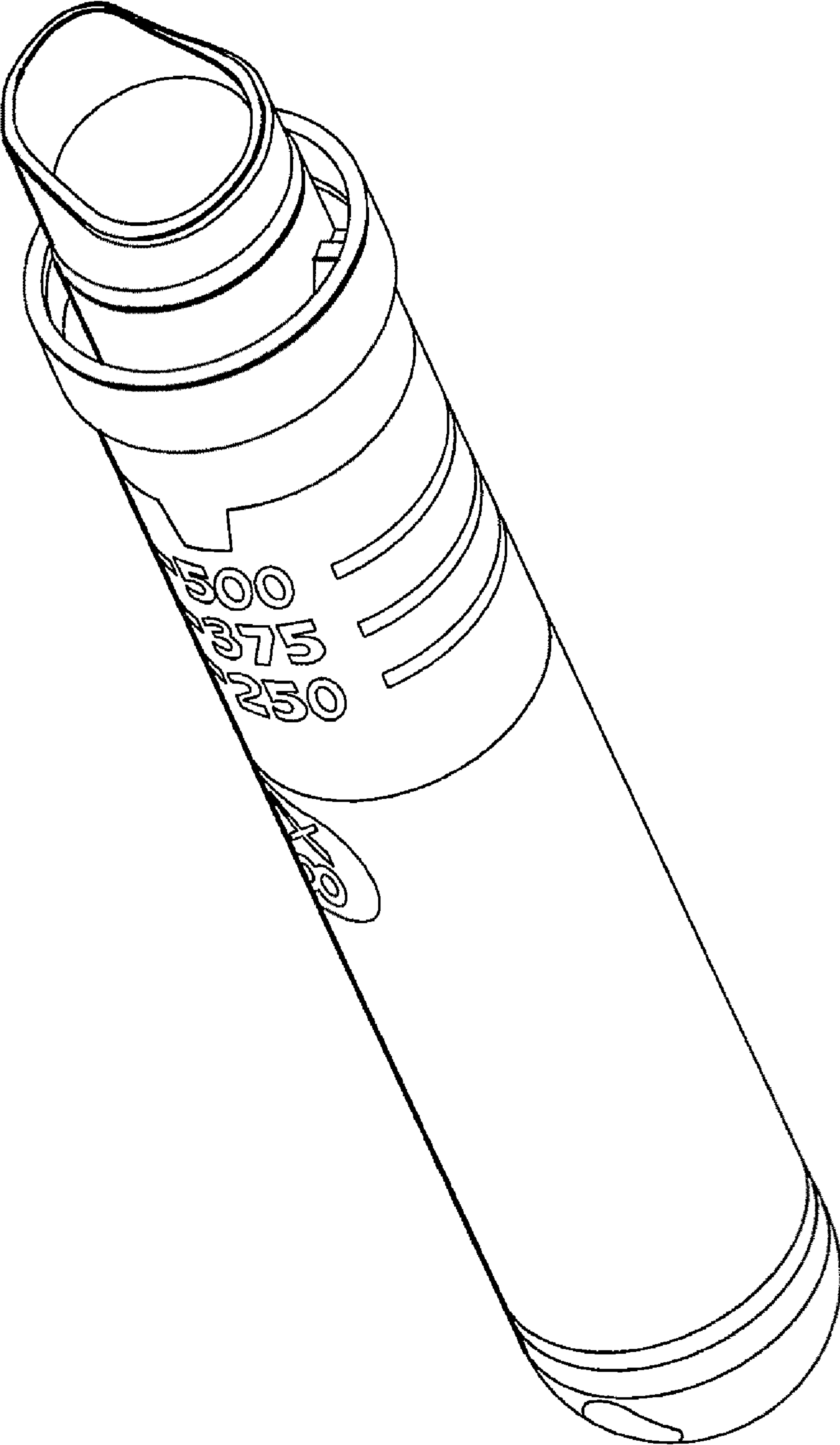


FIG. 1

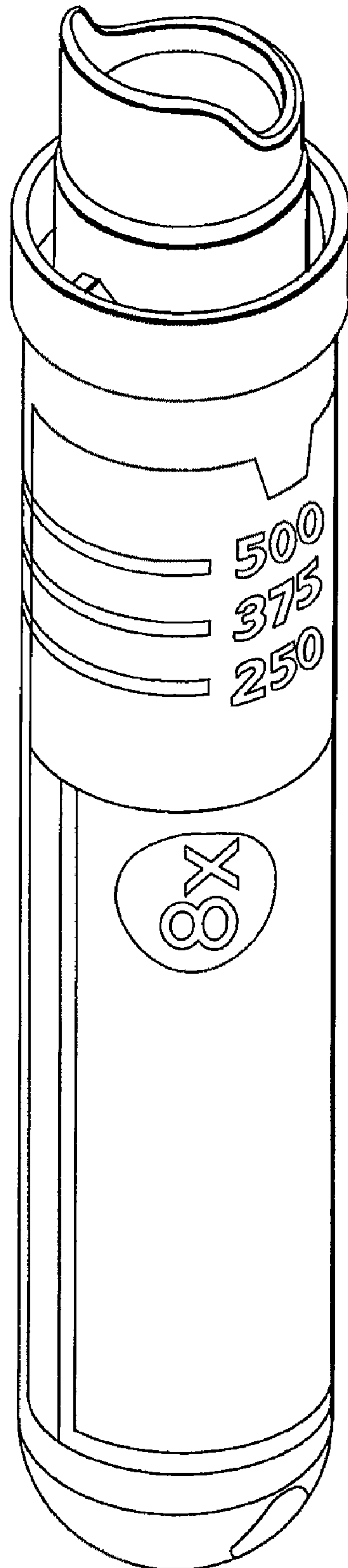


FIG.2

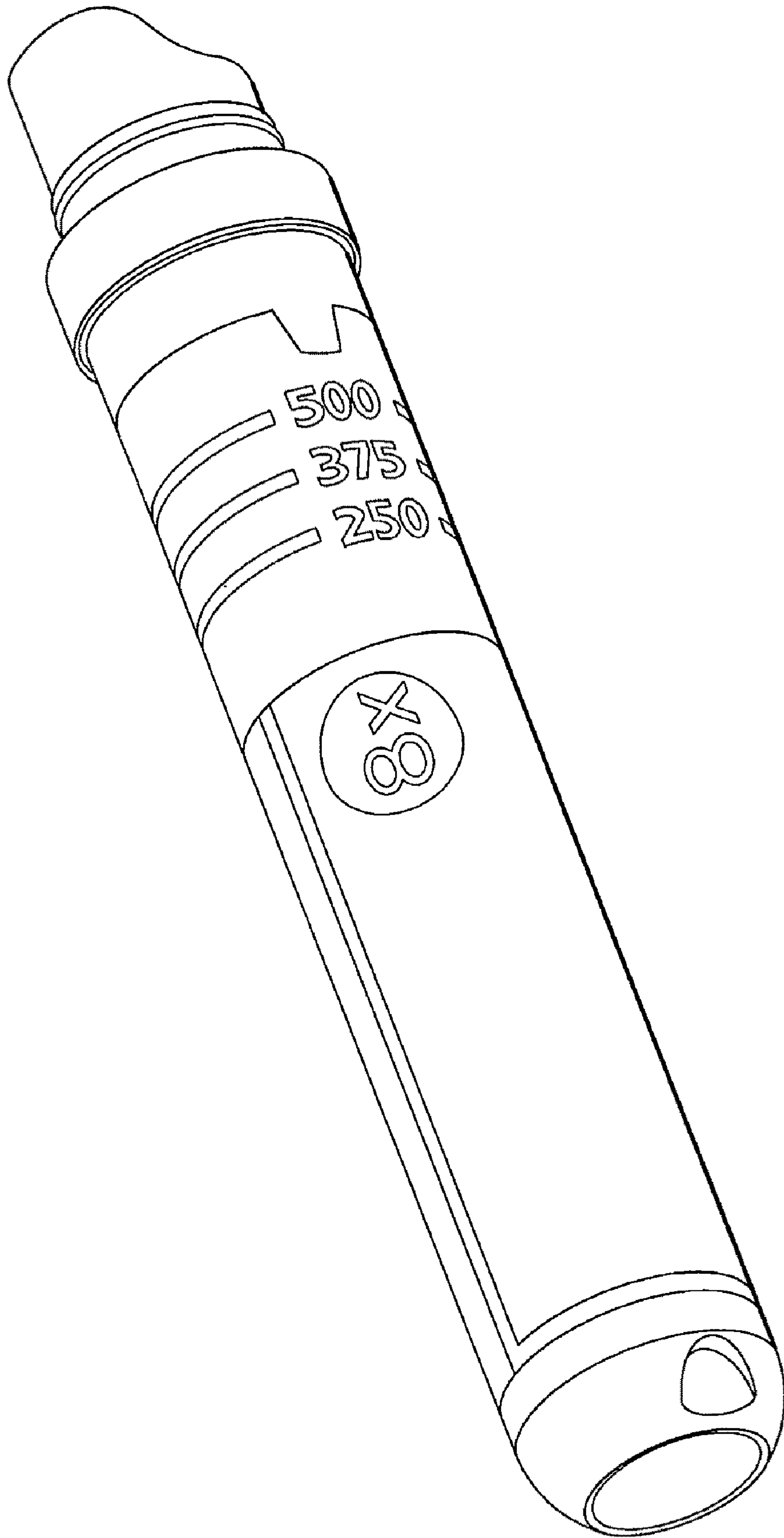


FIG. 3

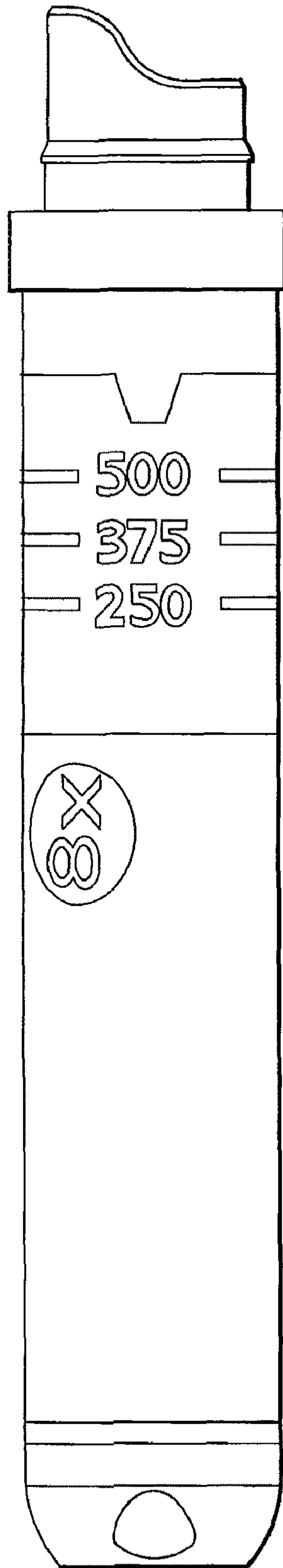


FIG.4

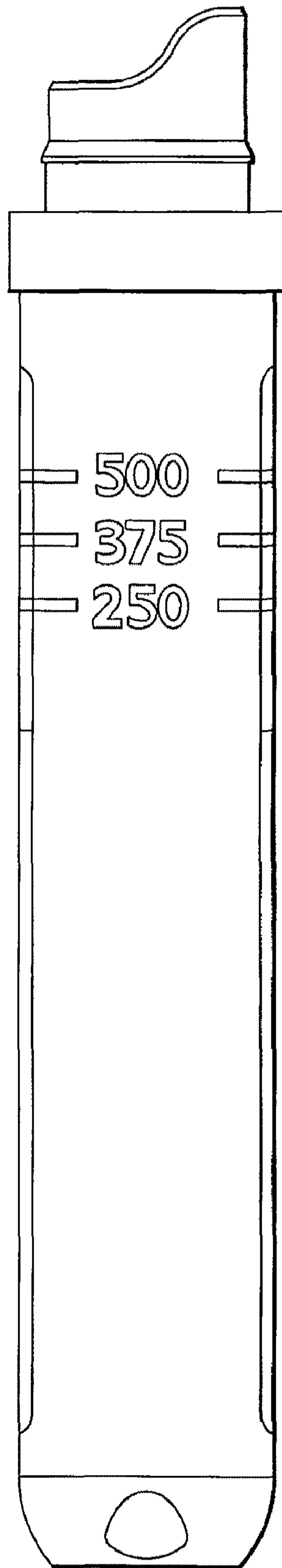


FIG.5

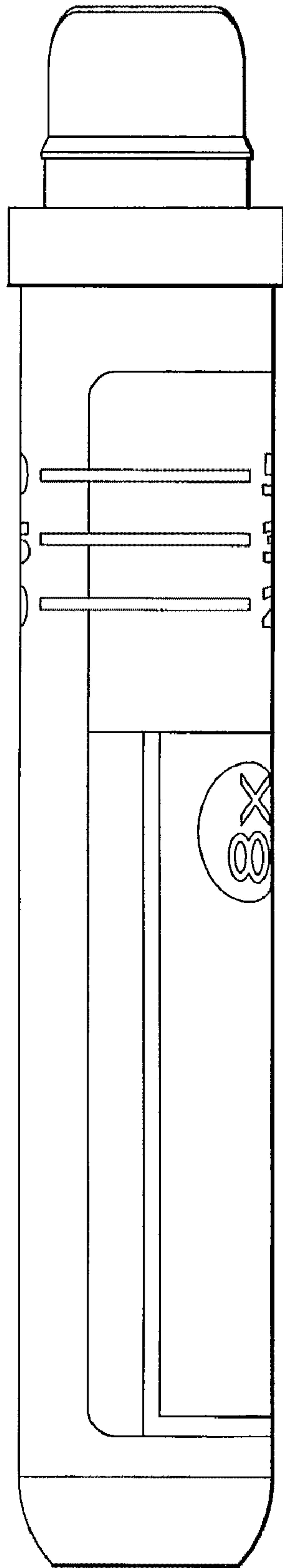


FIG.6

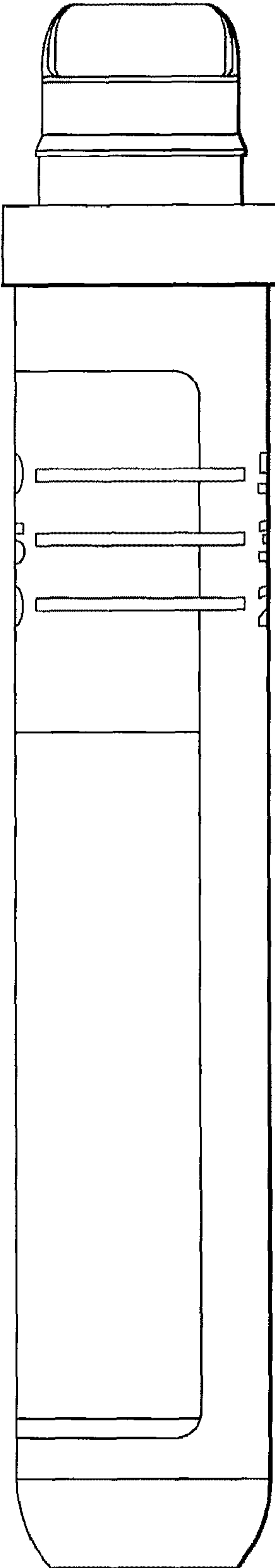


FIG.7

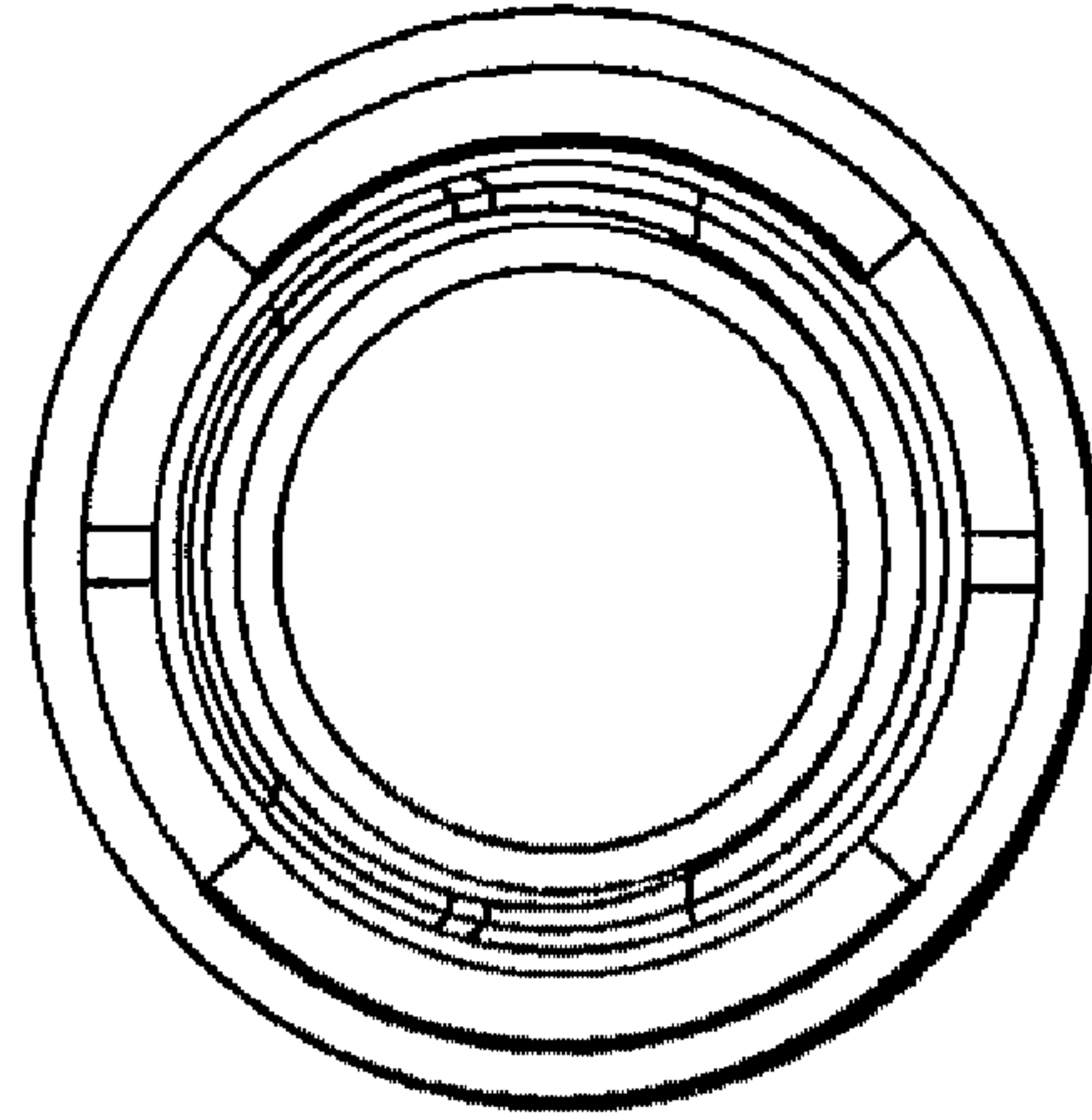


FIG. 8

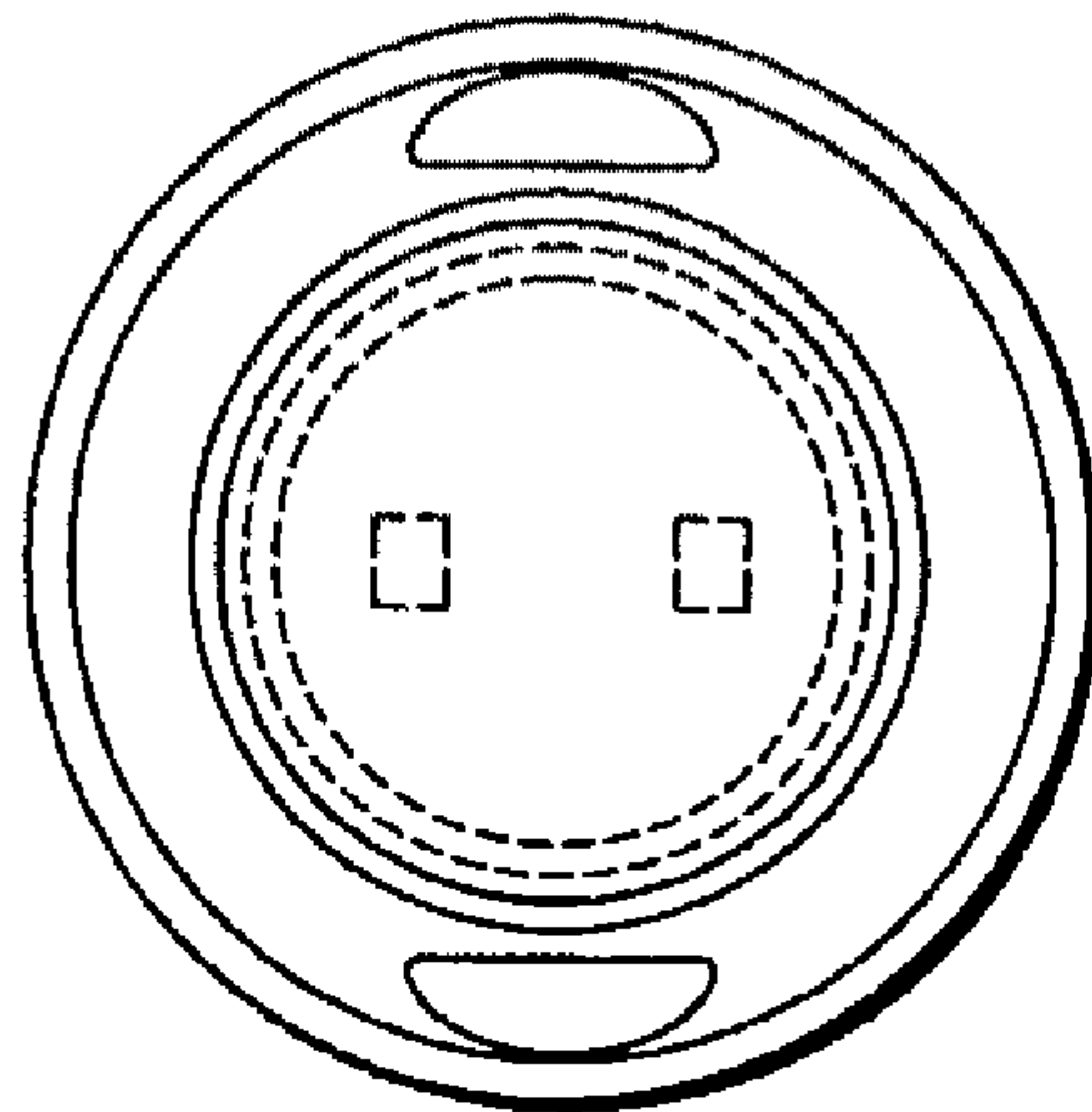


FIG. 9