



US00D645968S

(12) **United States Design Patent**
Kasabach et al.

(10) **Patent No.:** **US D645,968 S**

(45) **Date of Patent:** **** Sep. 27, 2011**

(54) **WEARABLE DEVICE TO MONITOR HUMAN STATUS PARAMETERS WITH WING-TYPE ATTACHMENT MEANS**

(75) Inventors: **Christopher D. Kasabach**, Pittsburgh, PA (US); **Vanessa Sica Kasabach**, Pittsburgh, PA (US); **John M. Stivoric**, Pittsburgh, PA (US); **Jeffrey Francis Williams**, Edinboro, PA (US)

(73) Assignee: **BodyMedia, Inc.**, Pittsburgh, PA (US)

(**) Term: **14 Years**

(21) Appl. No.: **29/383,860**

(22) Filed: **Jan. 24, 2011**

Related U.S. Application Data

(63) Continuation-in-part of application No. 29/256,753, filed on Mar. 24, 2006, now Pat. No. Des. 631,552.

(51) **LOC (9) Cl.** **24-02**

(52) **U.S. Cl.** **D24/186**

(58) **Field of Classification Search** D24/128, D24/165, 167-168, 186-187, 200, 232; D10/30-32, D10/46; D11/200, 216; 600/372-384, 390-391, 600/500, 503, 509; 607/62, 109, 121, 129, 607/139

See application file for complete search history.

(56) **References Cited**

U.S. PATENT DOCUMENTS

D331,020 S *	11/1992	Ishii et al.	D10/30
D331,021 S *	11/1992	Ishii et al.	D10/46
D335,476 S *	5/1993	Stathis	D11/216
D352,680 S *	11/1994	Matoba	D11/200
D426,637 S *	6/2000	Ochi et al.	D24/165

D492,783 S *	7/2004	Lax	D24/167
D507,498 S *	7/2005	Hung	D10/32
6,928,317 B2 *	8/2005	Chen	600/509
7,167,737 B2 *	1/2007	Fujii et al.	600/390
D540,695 S *	4/2007	Leung	D10/31
D542,917 S *	5/2007	Cantillo	D24/128
D544,961 S *	6/2007	Brady et al.	D24/167
D552,014 S *	10/2007	Chen et al.	D11/216
D597,676 S *	8/2009	Copeland et al.	D24/187
D603,521 S *	11/2009	Lindberg et al.	D24/187
D638,332 S *	5/2011	Fair	D11/216

* cited by examiner

Primary Examiner — T. Chase Nelson

Assistant Examiner — Mark Cavanna

(74) *Attorney, Agent, or Firm* — GTC Law Group LLP & Affiliates; John A. Monocello, III; David W. Okey

(57) **CLAIM**

The ornamental design for wearable device to monitor human status parameters with wing-type attachment means, as shown and described.

DESCRIPTION

FIG. 1 is a top perspective view of a wearable device to monitor human status parameters with wing-type attachment means showing our new design with no claim made to any particular color scheme;

FIG. 2 is a bottom plan view thereof;

FIG. 3 is a top plan view thereof;

FIG. 4 is a bottom perspective view thereof;

FIG. 5 is a front elevation view thereof;

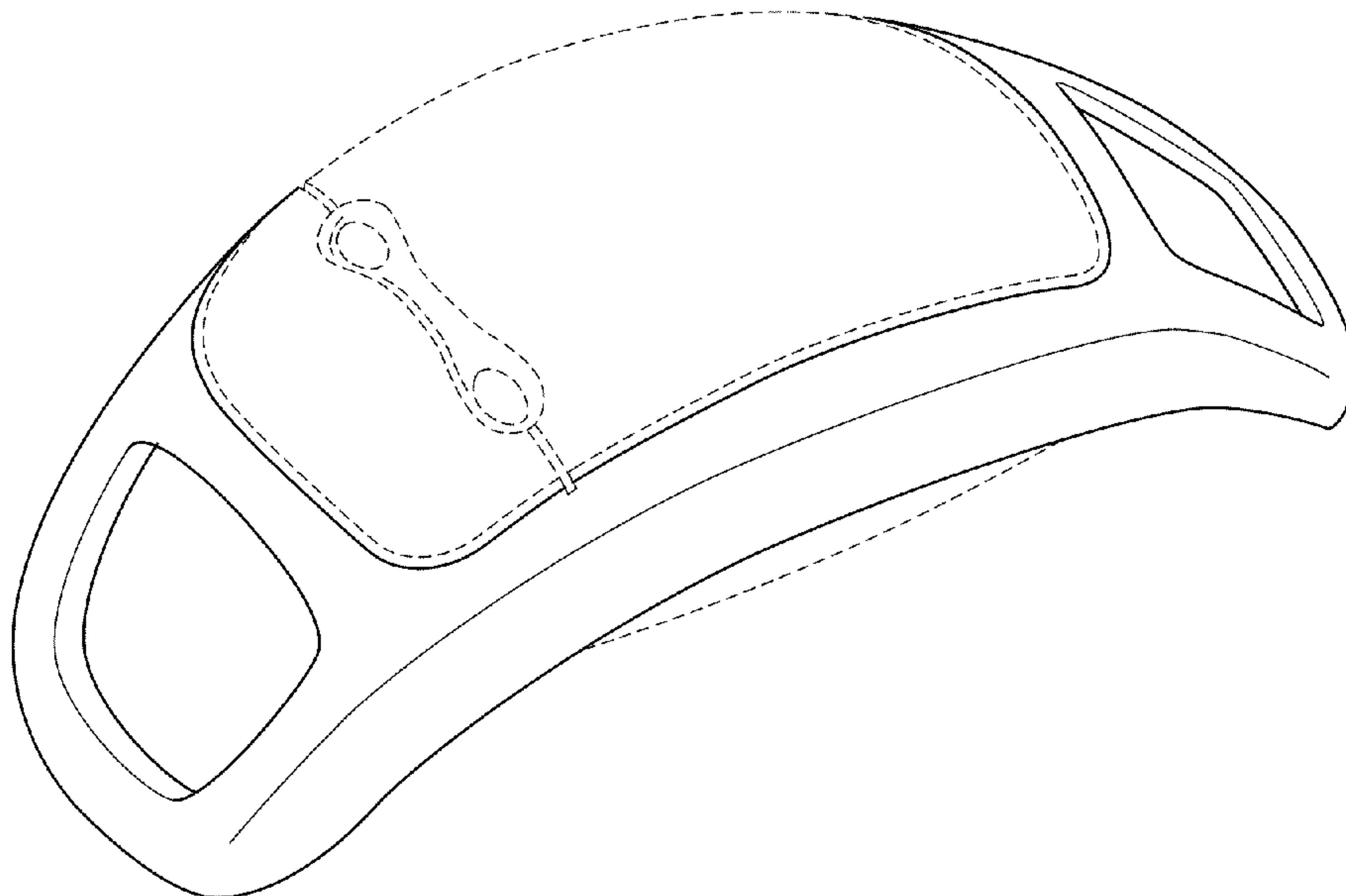
FIG. 6 is a rear elevation view thereof;

FIG. 7 is a left side elevation view thereof; and,

FIG. 8 is an exploded right side elevation view thereof.

The broken lines in FIGS. 1-8 are for environmental purposes only and form no part of the claimed design.

1 Claim, 5 Drawing Sheets



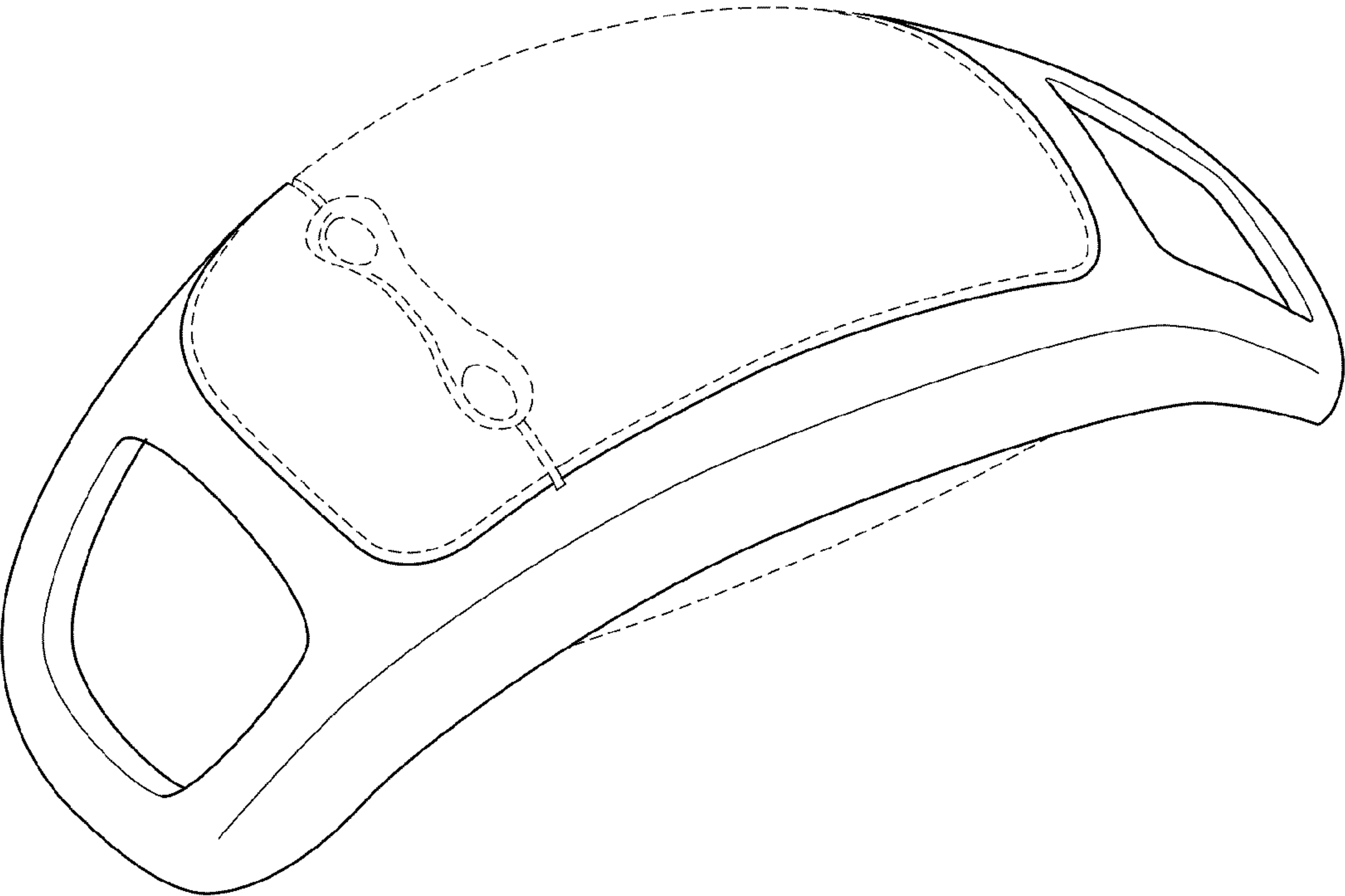


FIG. 1

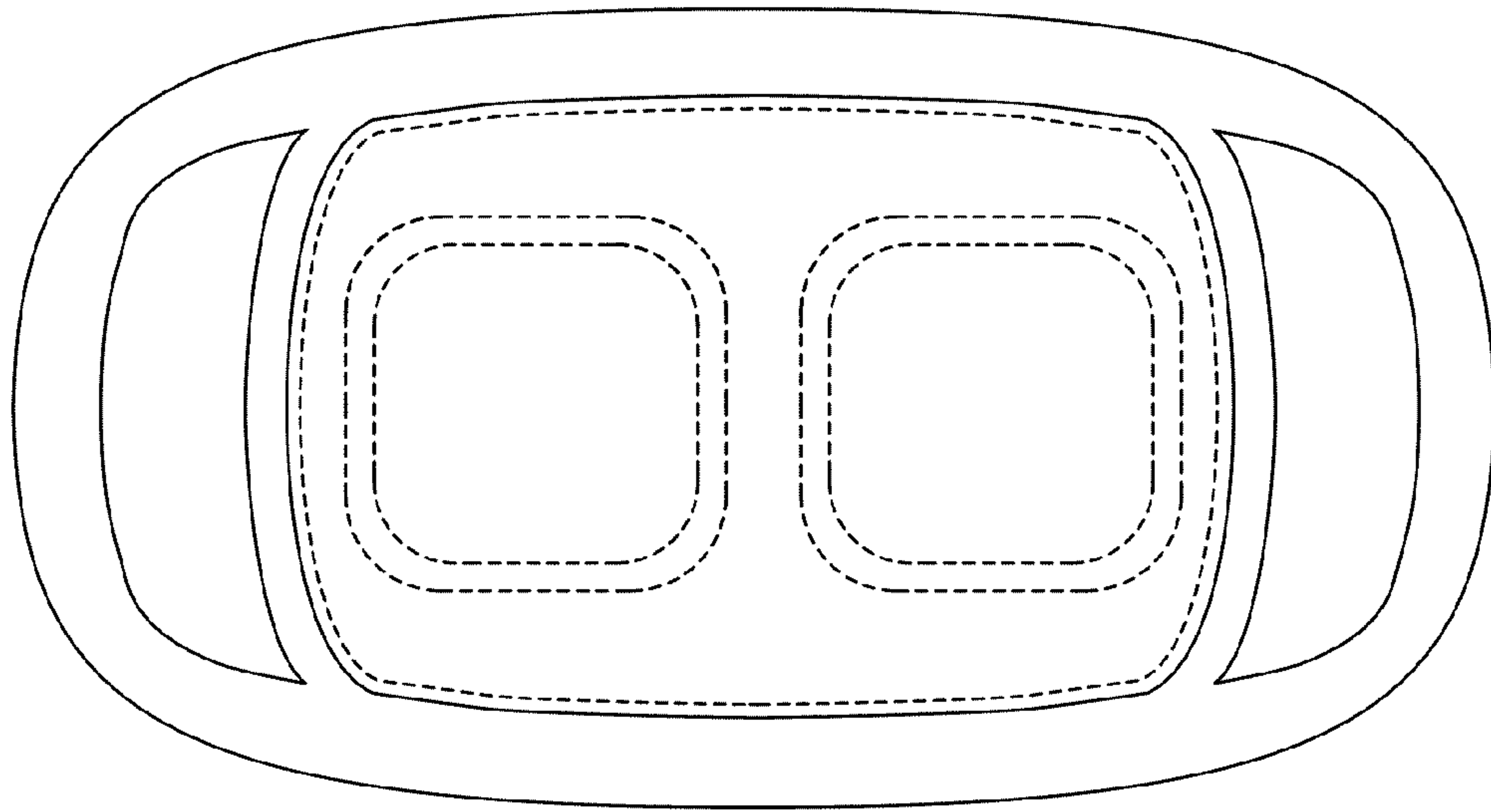


FIG. 2

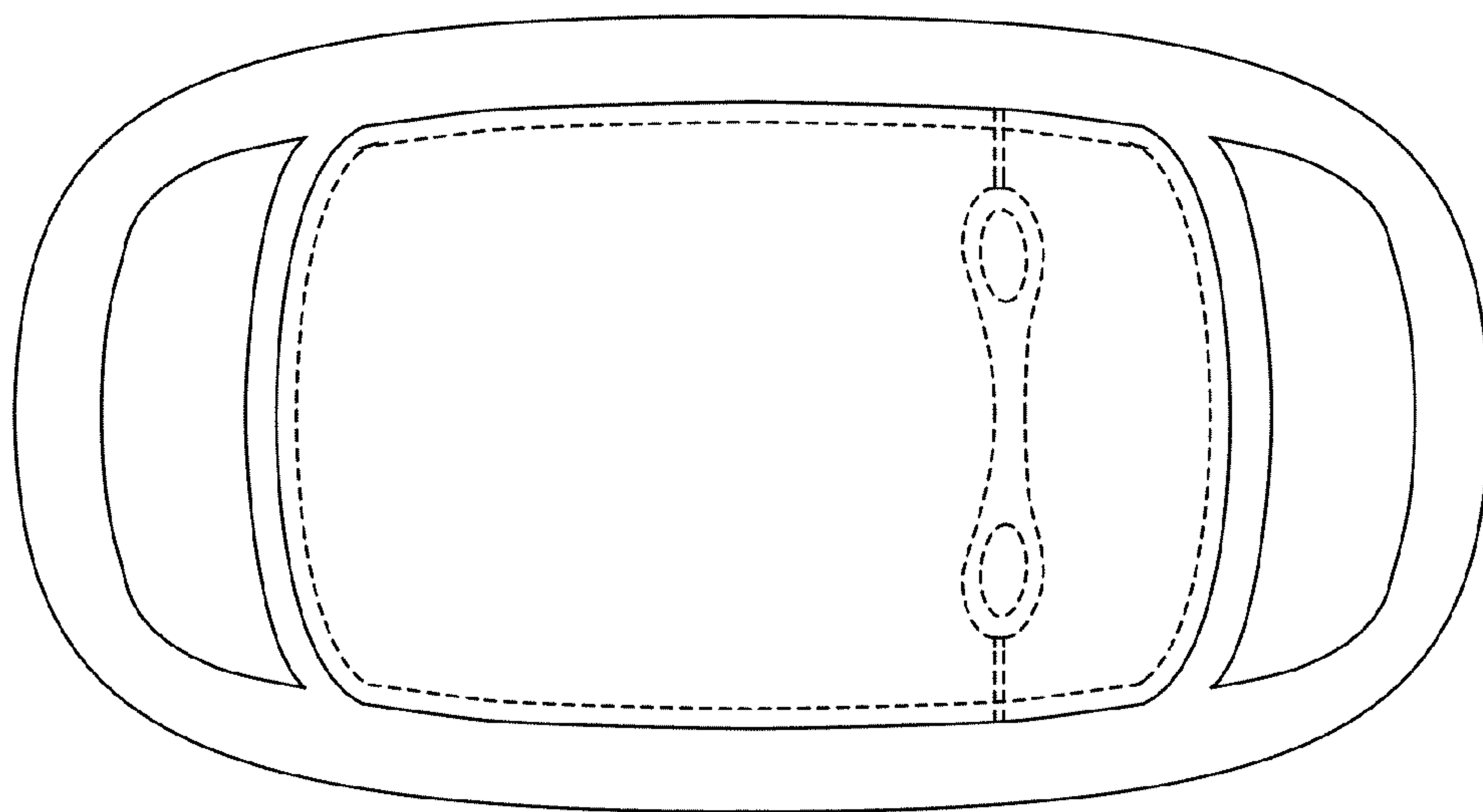


FIG. 3

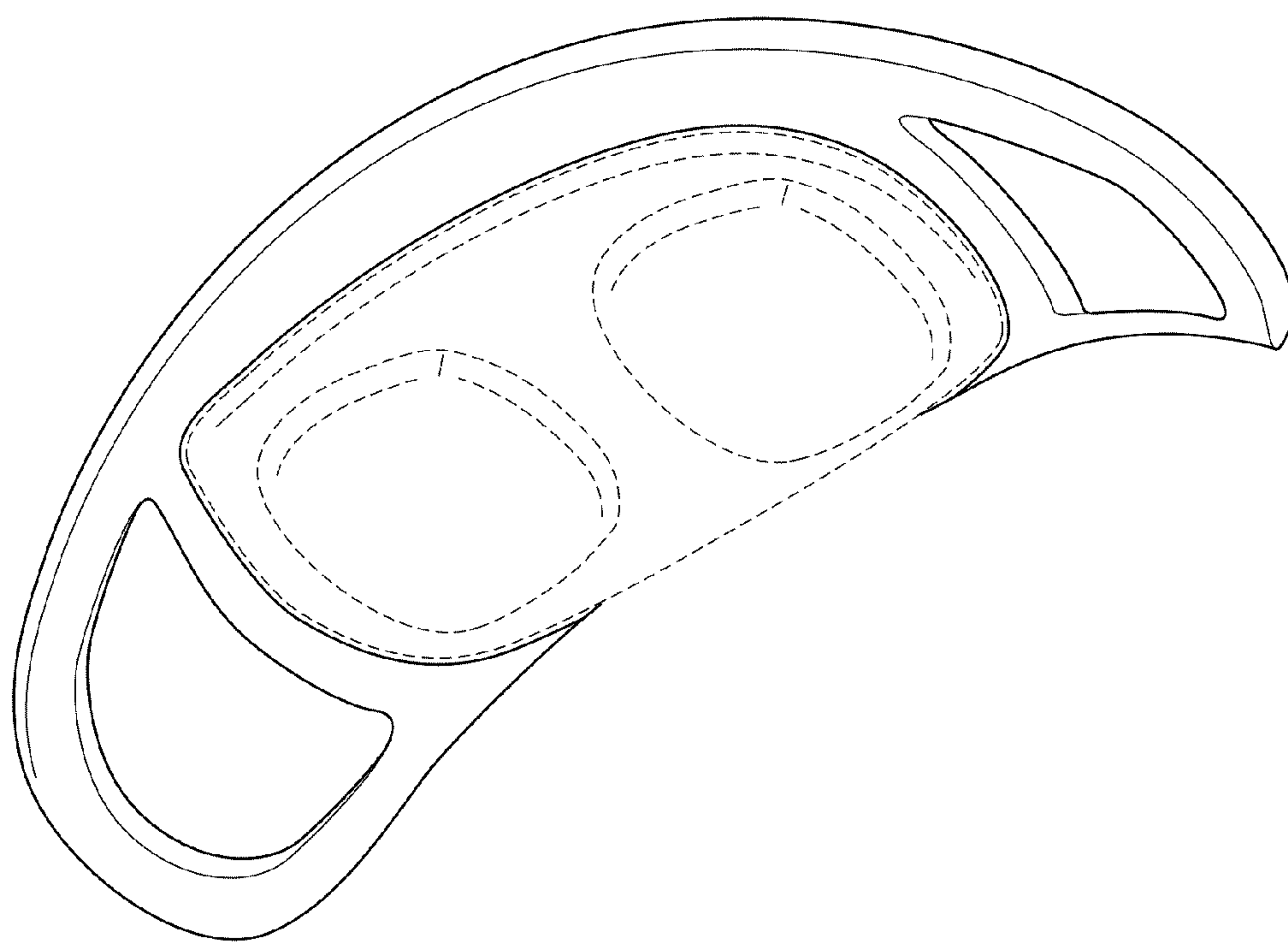


FIG. 4

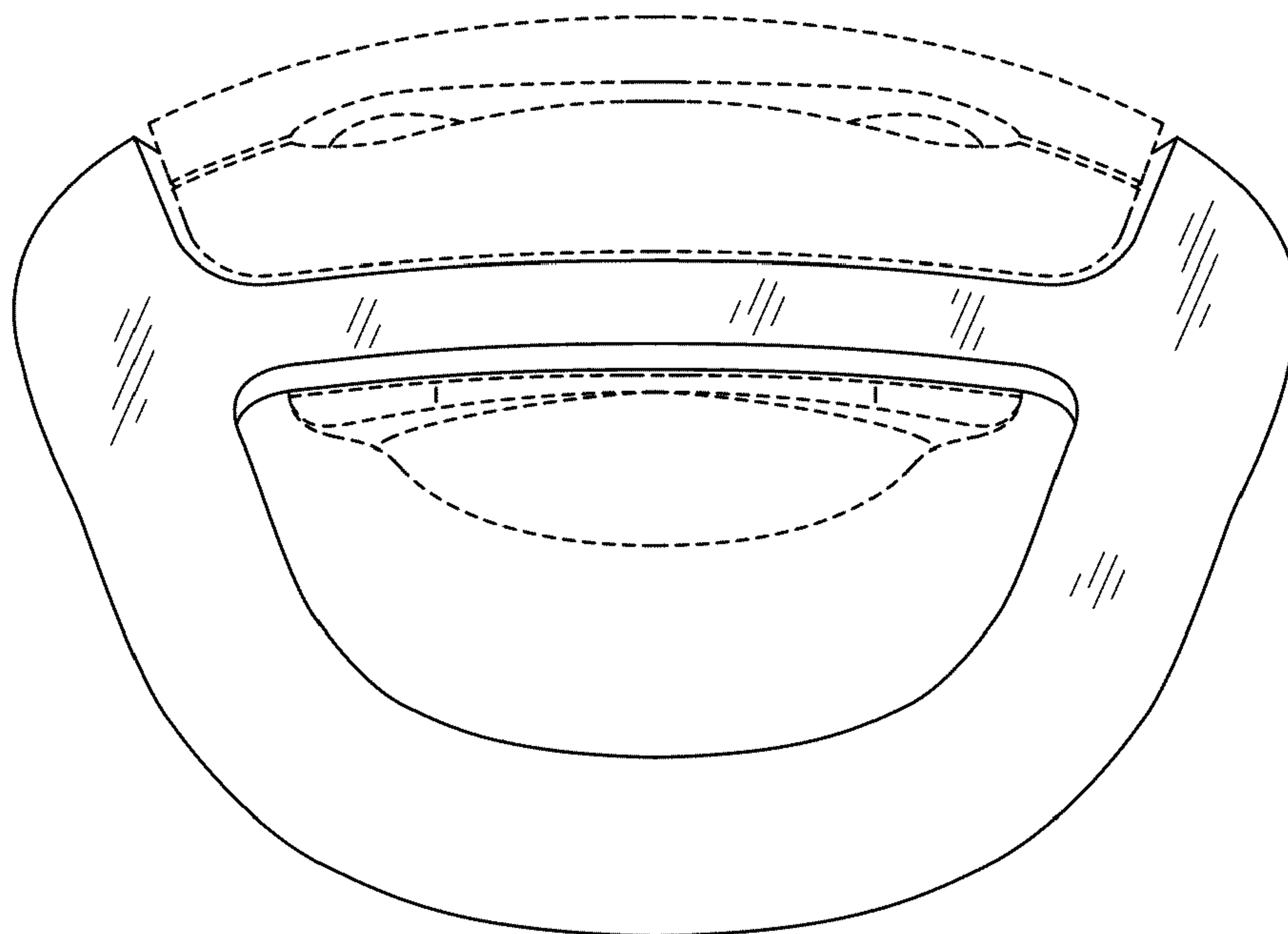


FIG. 5

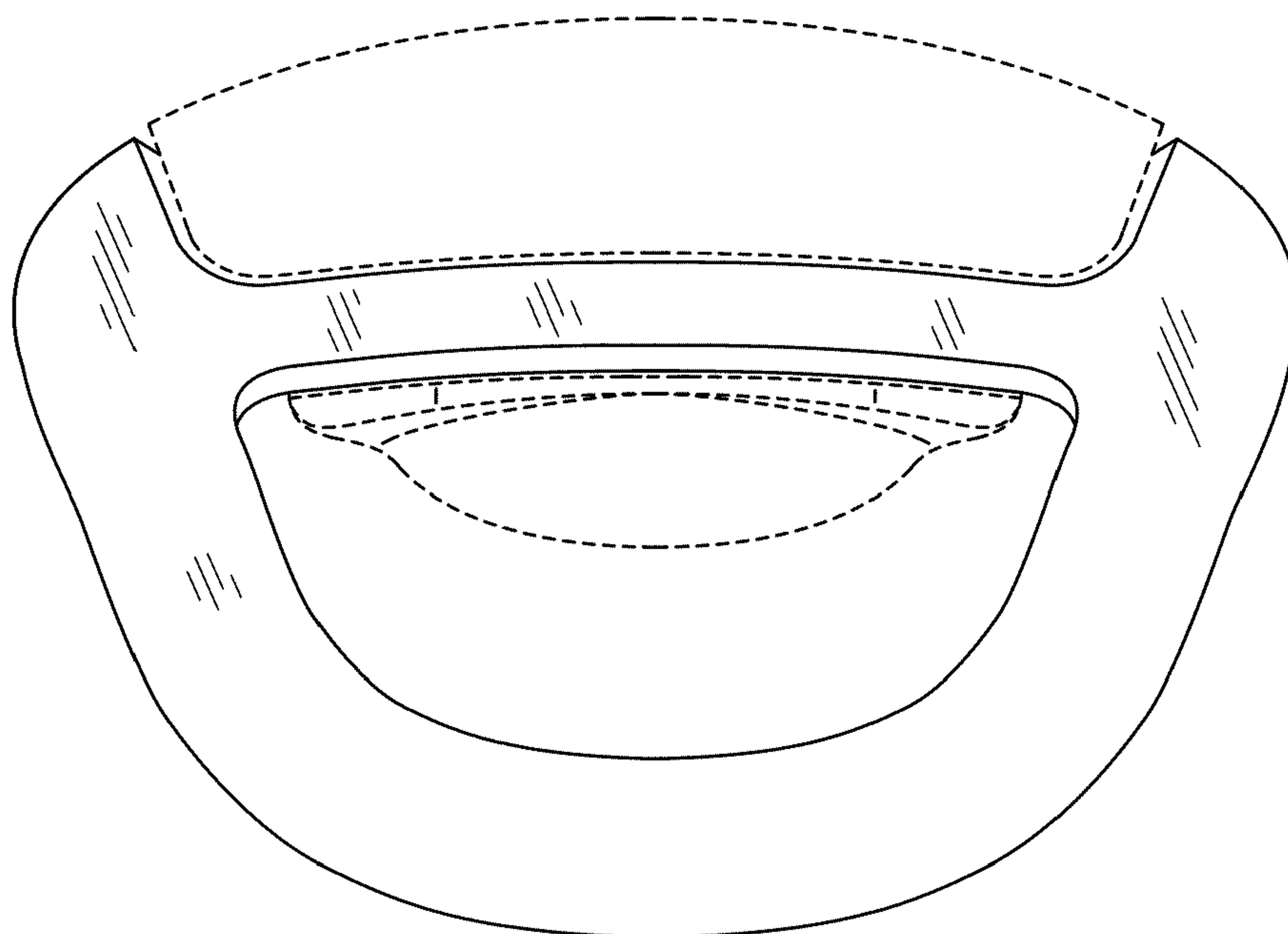


FIG. 6

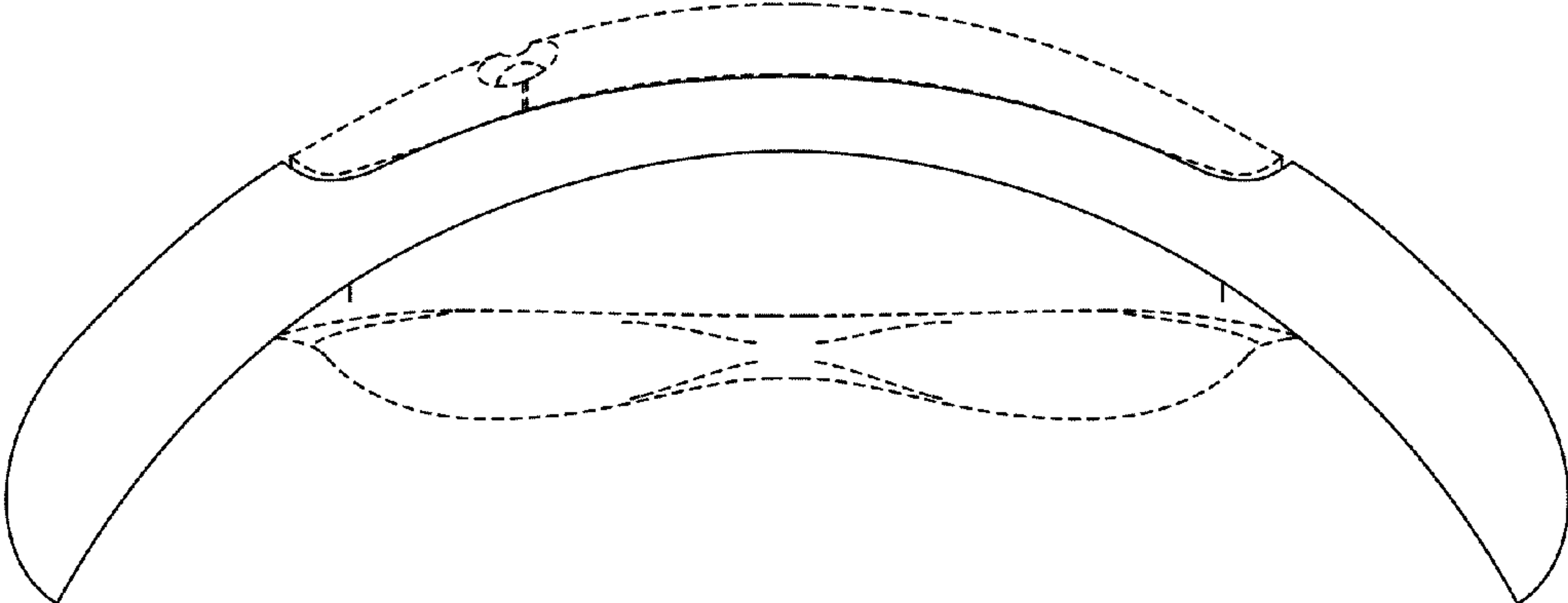


FIG. 7

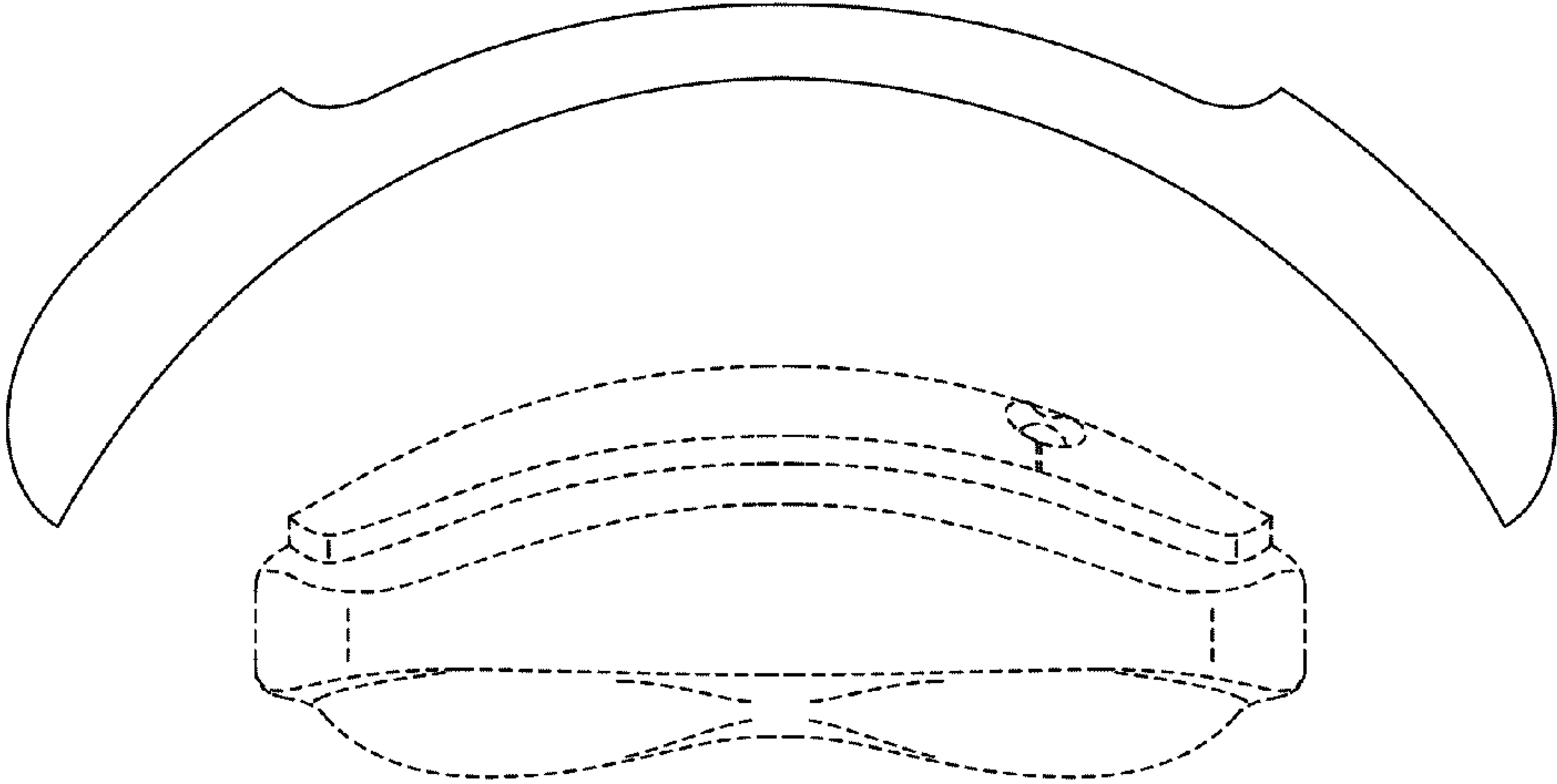


FIG. 8