



US00D645966S

(12) **United States Design Patent**  
**Broussard**

(10) **Patent No.:** **US D645,966 S**  
(45) **Date of Patent:** **\*\* Sep. 27, 2011**

(54) **ORTHODONTIC ELASTOMERIC LIGATURE**

(76) **Inventor:** **Garfford Joseph Broussard**, Houston, TX (US)

(\*\*) **Term:** **14 Years**

(21) **Appl. No.:** **29/365,279**

(22) **Filed:** **Jul. 7, 2010**

(51) **LOC (9) Cl.** ..... **24-99**

(52) **U.S. Cl.** ..... **D24/180**

(58) **Field of Classification Search** ..... D24/180-182, D24/155, 156, 176, 193-196; 433/10-11, 433/13, 15-16, 18, 20, 22-24; 606/139-140; D1/126-129; D9/652; D11/133, 200; D21/457, D21/461; D30/140, 160; 24/588.1, 592.1, 24/598.2; 446/193

See application file for complete search history.

(56) **References Cited**

**U.S. PATENT DOCUMENTS**

80,745	A *	8/1868	Jones et al.	.....	24/598.2
1,749,096	A *	3/1930	Baxter	.....	24/598.2
2,086,656	A *	7/1937	Woodward	.....	433/18
D117,043	S *	10/1939	Huber	.....	D1/128
2,705,367	A *	4/1955	Berke	.....	433/20
2,767,469	A *	10/1956	Gladstone	.....	433/11
3,641,672	A *	2/1972	Kesling	.....	433/21
3,913,228	A *	10/1975	Wallshein	.....	433/18
3,961,421	A	6/1976	Wallshein		
4,859,179	A *	8/1989	Kesling	.....	433/16
4,900,250	A *	2/1990	Kesling et al.	.....	433/11
4,913,418	A	4/1990	Schlueter et al.		

4,933,418	A	6/1990	Sterrett		
4,946,386	A *	8/1990	Kidd et al.	.....	433/18
5,044,946	A *	9/1991	Cleary	.....	433/18
5,302,116	A *	4/1994	Viazis	.....	433/10
5,378,146	A	1/1995	Sterrett		
5,380,197	A *	1/1995	Hanson	.....	433/22
5,461,133	A *	10/1995	Hammar et al.	.....	433/18
5,540,586	A	7/1996	Hanson		
6,280,186	B1	8/2001	Logan		
D604,928	S *	12/2009	Adamson et al.	.....	D1/127
2006/0073434	A1 *	4/2006	Reynolds	.....	433/18
2008/0153052	A1 *	6/2008	Ianieri et al.	.....	433/11

\* cited by examiner

*Primary Examiner* — Ian Simmons

*Assistant Examiner* — Wan Laymon

(74) *Attorney, Agent, or Firm* — Dorr, Carson & Birney, P.C.

(57) **CLAIM**

The ornamental design for an orthodontic elastomeric ligature, as shown and described.

**DESCRIPTION**

FIG. 1 is a front perspective view of an orthodontic elastomeric ligature showing my new design.

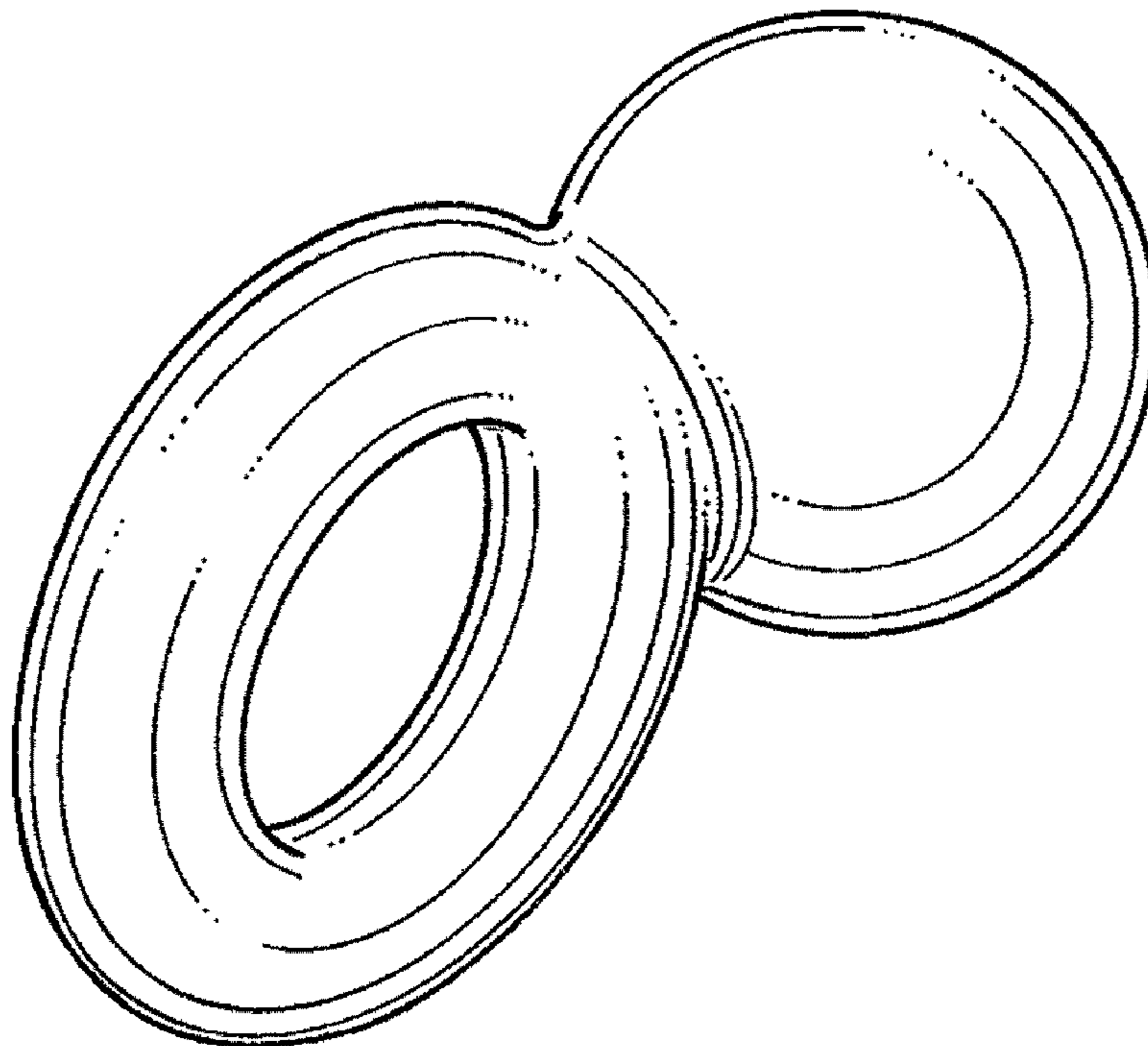
FIG. 2 is a top plan view thereof, with the bottom plan view being the same as FIG. 2.

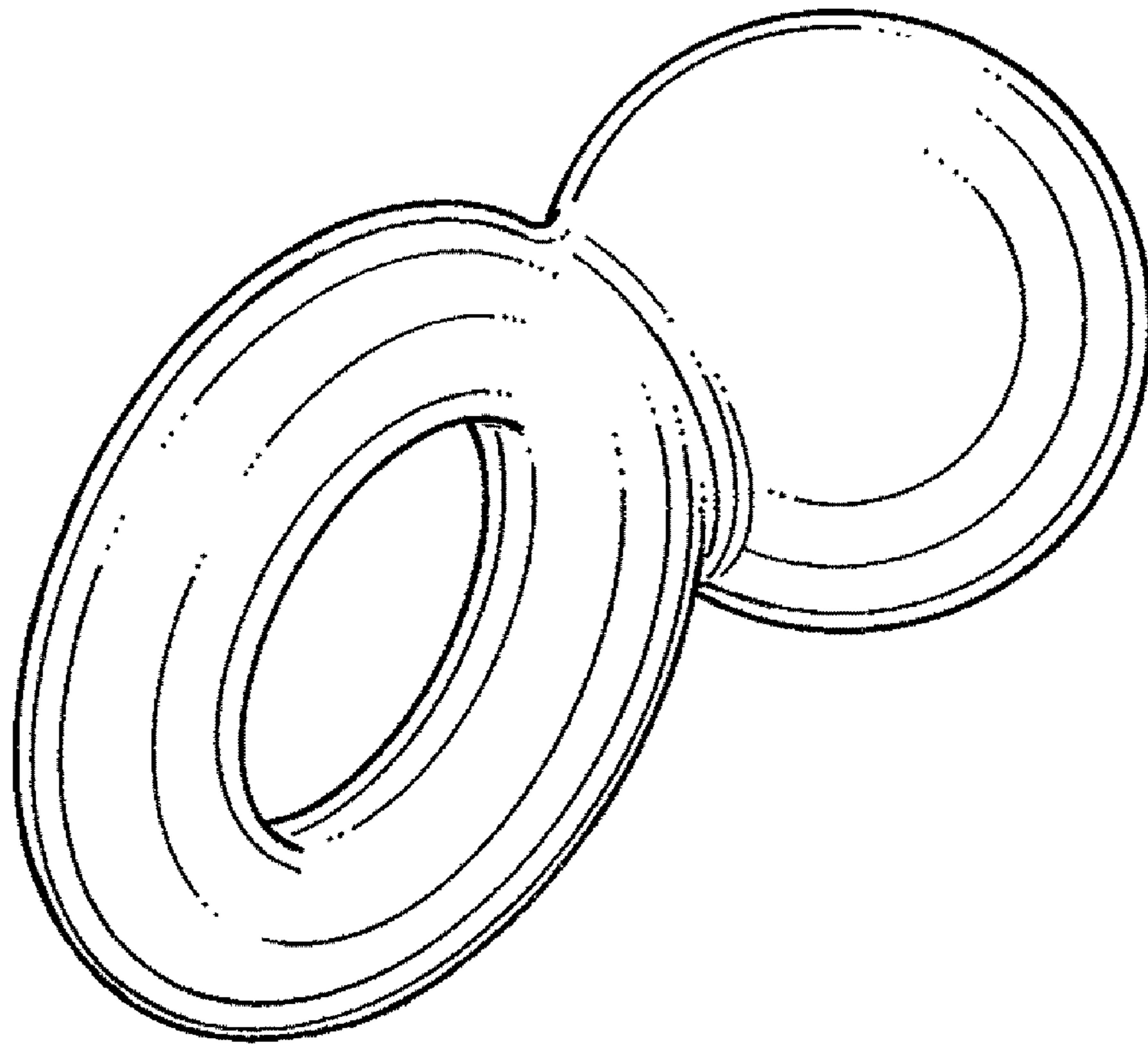
FIG. 3 is a front elevational view thereof, with the rear elevational view being a mirror image of FIG. 3.

FIG. 4 is a left side elevational view thereof; and,

FIG. 5 is a right side elevational view thereof.

**1 Claim, 3 Drawing Sheets**





**Fig. 1**

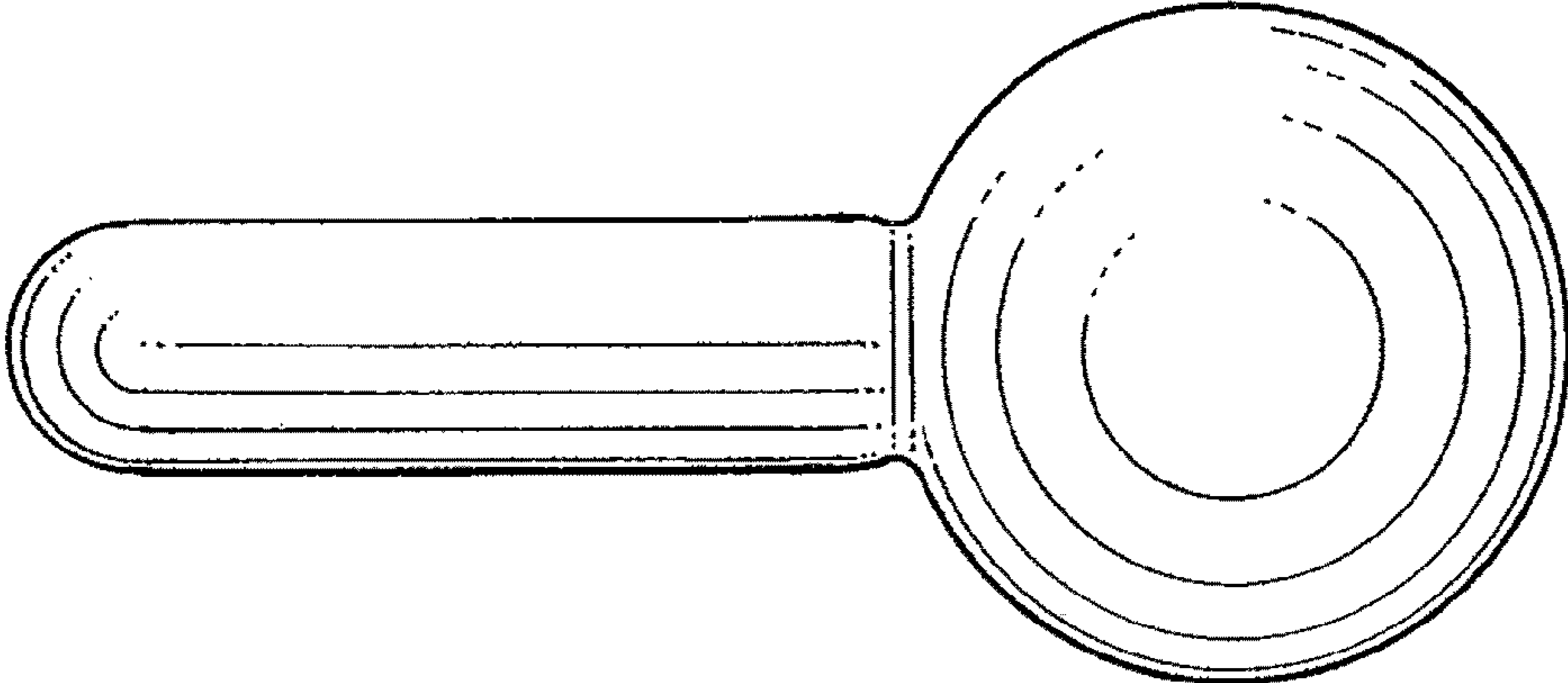


Fig. 2

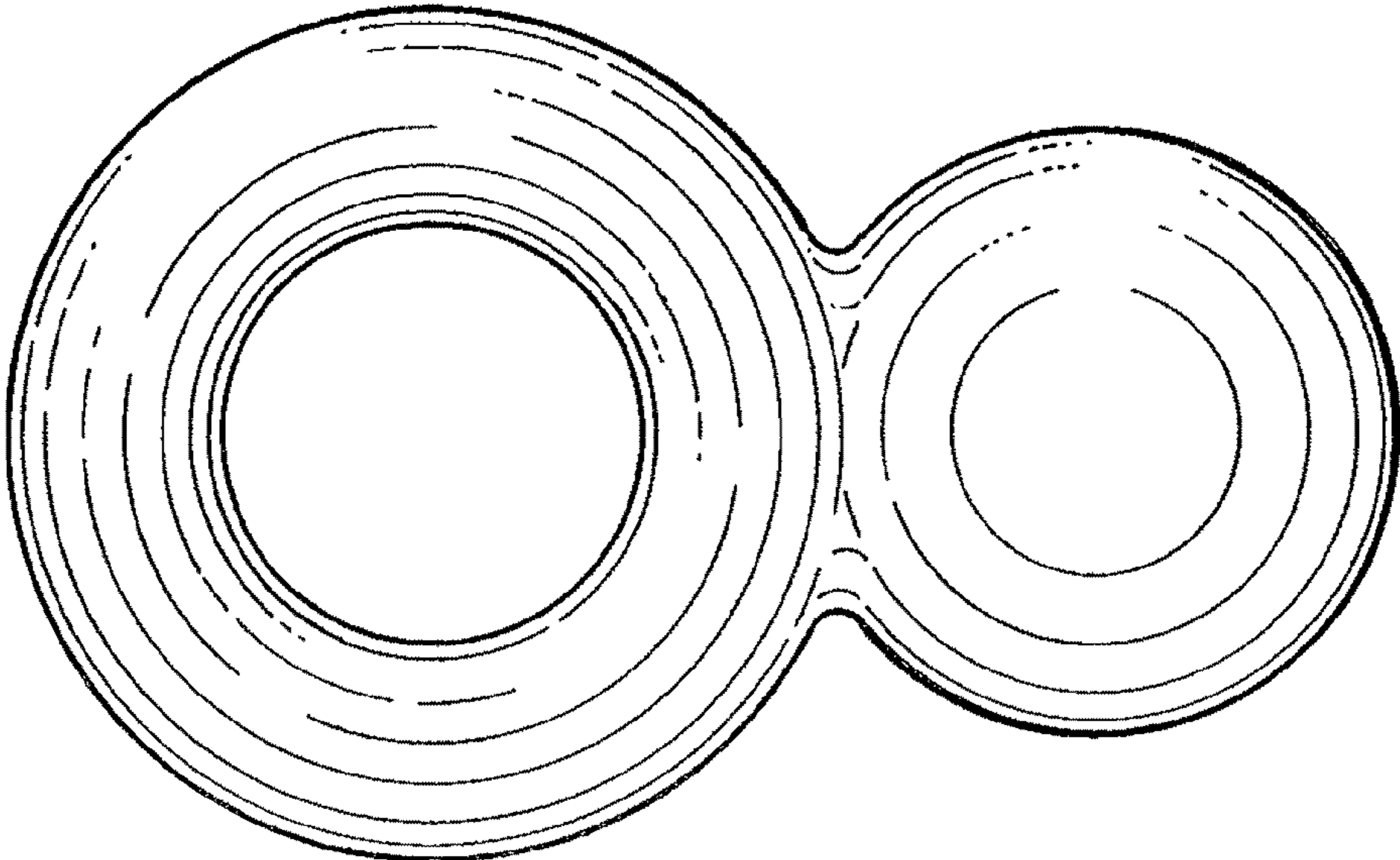


Fig. 3

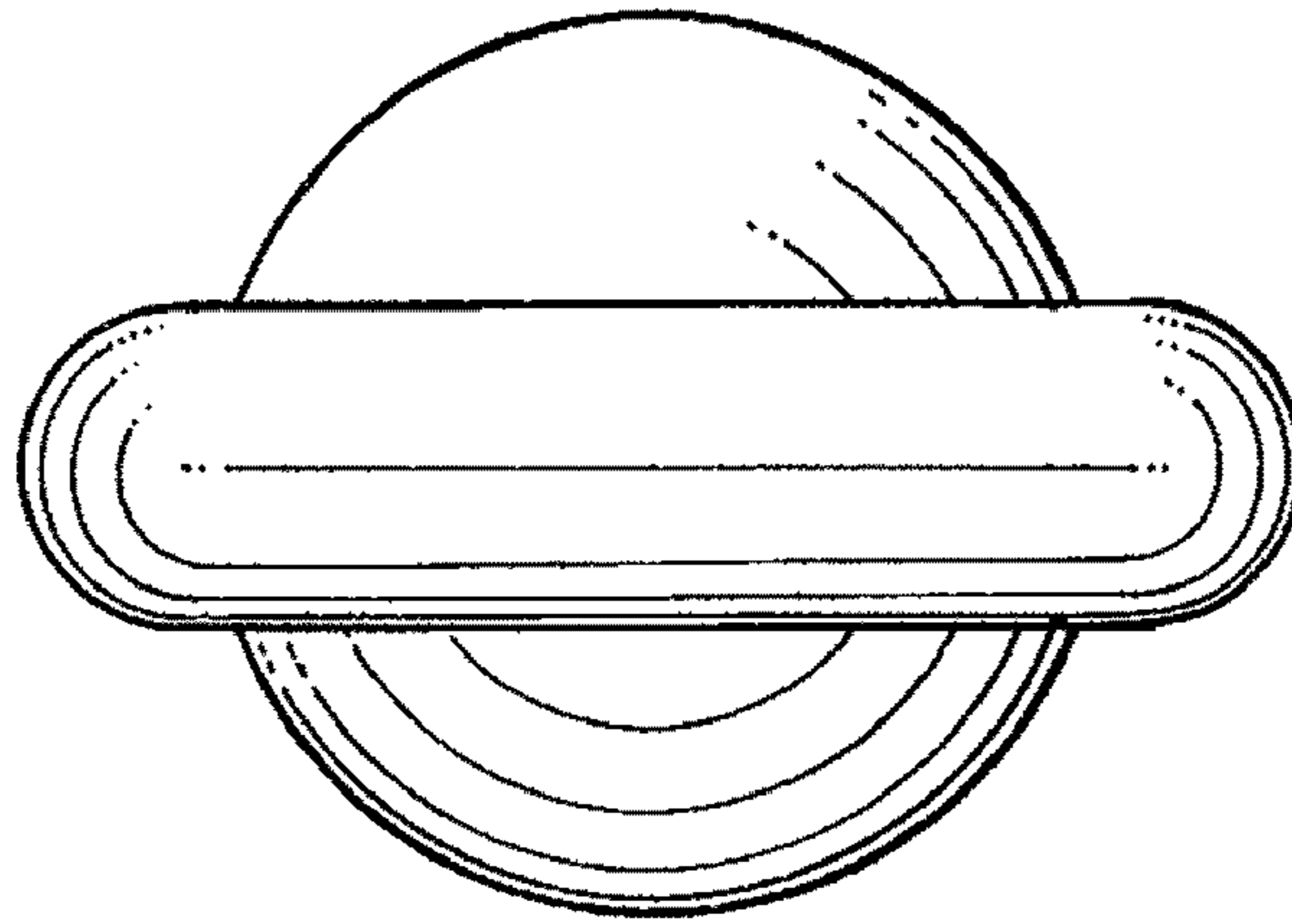


Fig. 4

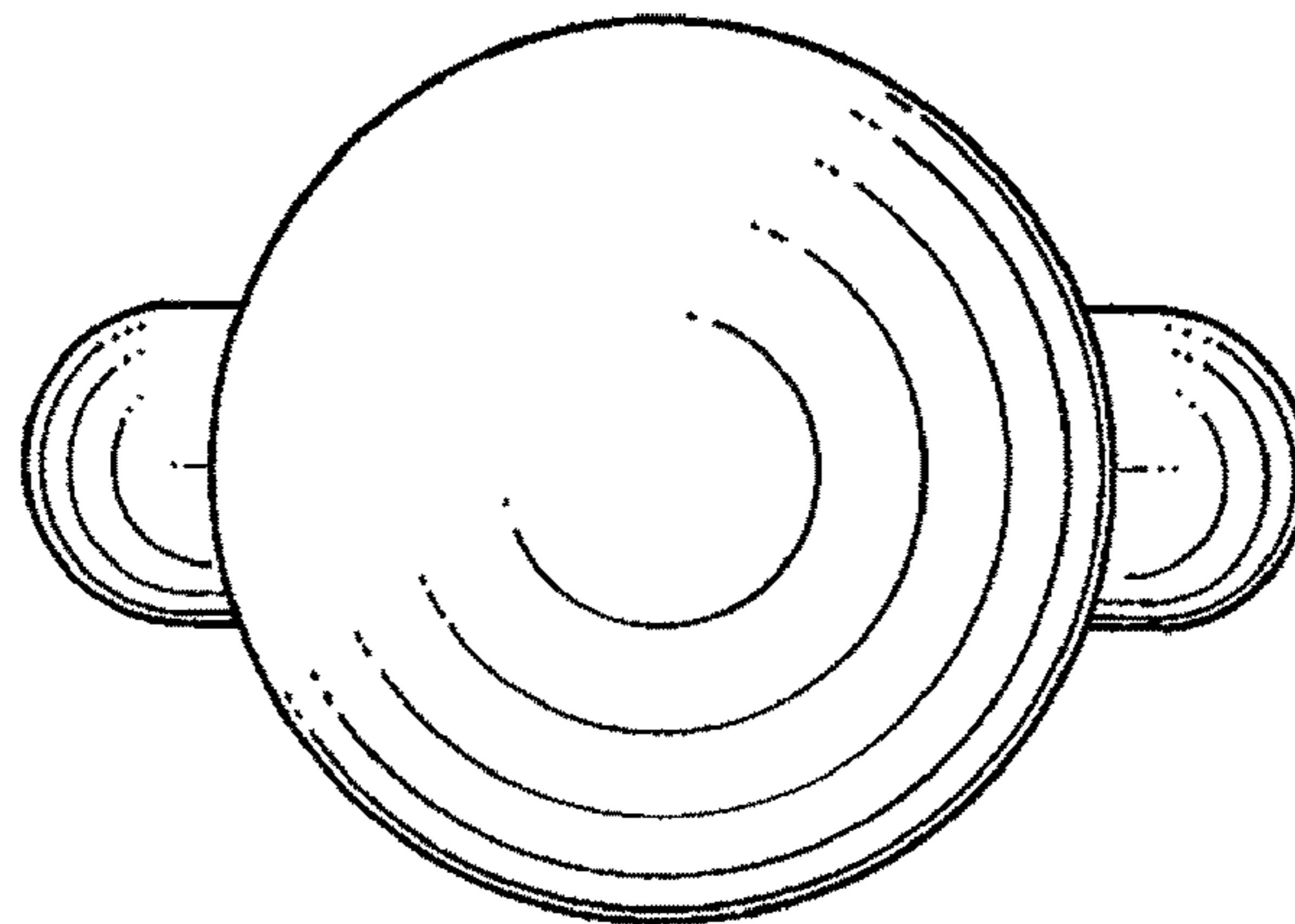


Fig. 5