



US00D645964S

(12) **United States Design Patent**
Muto et al.

(10) **Patent No.:** **US D645,964 S**
(45) **Date of Patent:** **** Sep. 27, 2011**

(54) **MOTOR FOR DENTAL HANDPIECE**

FOREIGN PATENT DOCUMENTS

(75) Inventors: **Shinichiro Muto**, Kanuma (JP); **Atsushi Okada**, Kanuma (JP)

JP D1210926 * 7/2004
KR 300412574.0000 * 4/2006

* cited by examiner

(73) Assignee: **Nakanishi Inc.**, Kanuma-shi (JP)

Primary Examiner — Ian Simmons

(**) Term: **14 Years**

Assistant Examiner — Wan Laymon

(21) Appl. No.: **29/350,944**

(74) *Attorney, Agent, or Firm* — Jason D. Voight

(22) Filed: **Nov. 25, 2009**

(57) **CLAIM**

(51) **LOC (9) Cl.** **24-02**

We claim the ornamental design for a motor for dental handpiece, as shown and described.

(52) **U.S. Cl.** **D24/146**

(58) **Field of Classification Search** D24/133,
D24/146, 152, 156; D8/61; 433/82, 114,
433/116, 124, 126, 129, 131-132, 141
See application file for complete search history.

DESCRIPTION

(56) **References Cited**

U.S. PATENT DOCUMENTS

D254,570	S	*	3/1980	McDonald	D24/146
D263,252	S	*	3/1982	Kakimoto	D24/146
4,353,697	A	*	10/1982	Nakanishi	433/126
D267,974	S	*	2/1983	Nilles et al.	D24/146
4,403,956	A	*	9/1983	Nakanishi	433/126
4,669,982	A	*	6/1987	Fleer	433/126
4,681,540	A	*	7/1987	Landgraf et al.	433/126
5,007,832	A	*	4/1991	Meller et al.	433/126
5,160,263	A	*	11/1992	Meller et al.	433/126
5,219,285	A	*	6/1993	Meller et al.	433/126
5,370,534	A	*	12/1994	Wolf et al.	433/82
5,476,380	A	*	12/1995	Rosenstatter	433/132
5,908,295	A	*	6/1999	Kawata	433/132
6,425,761	B1	*	7/2002	Eibofner	433/131
2003/0022127	A1	*	1/2003	Castellini	433/82

FIG. 1 is a front view of a motor for dental handpiece;
FIG. 2 is a rear elevation thereof;
FIG. 3 is a right side elevation thereof;
FIG. 4 is a left side elevation thereof;
FIG. 5 is a top view thereof,
FIG. 6 is a bottom view thereof;
FIG. 7 is a left side perspective view thereof;
FIG. 8 is a right side perspective view thereof; and,
FIG. 9 is a referential view thereof, in a state of use.
Portions of the motor for dental handpiece shown in broken lines in FIG. 4 form no part of the claimed design.
The broken lines showing how the motor for dental handpiece attaches to the handpiece in FIG. 9 are not part of the claimed design, but are represented to show the environment in which the design is associated and is for illustrative purposes only.

1 Claim, 4 Drawing Sheets

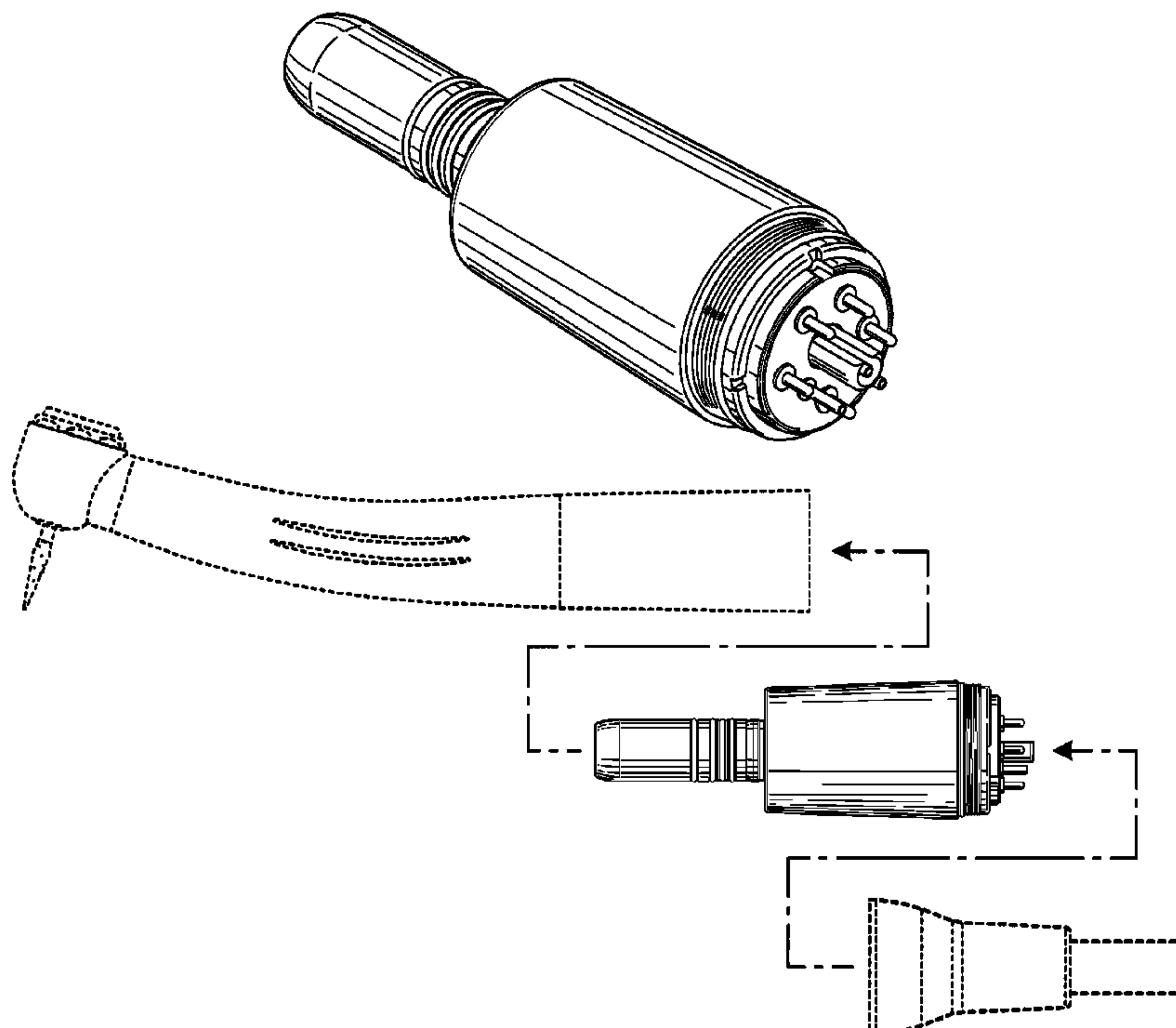


FIG. 1

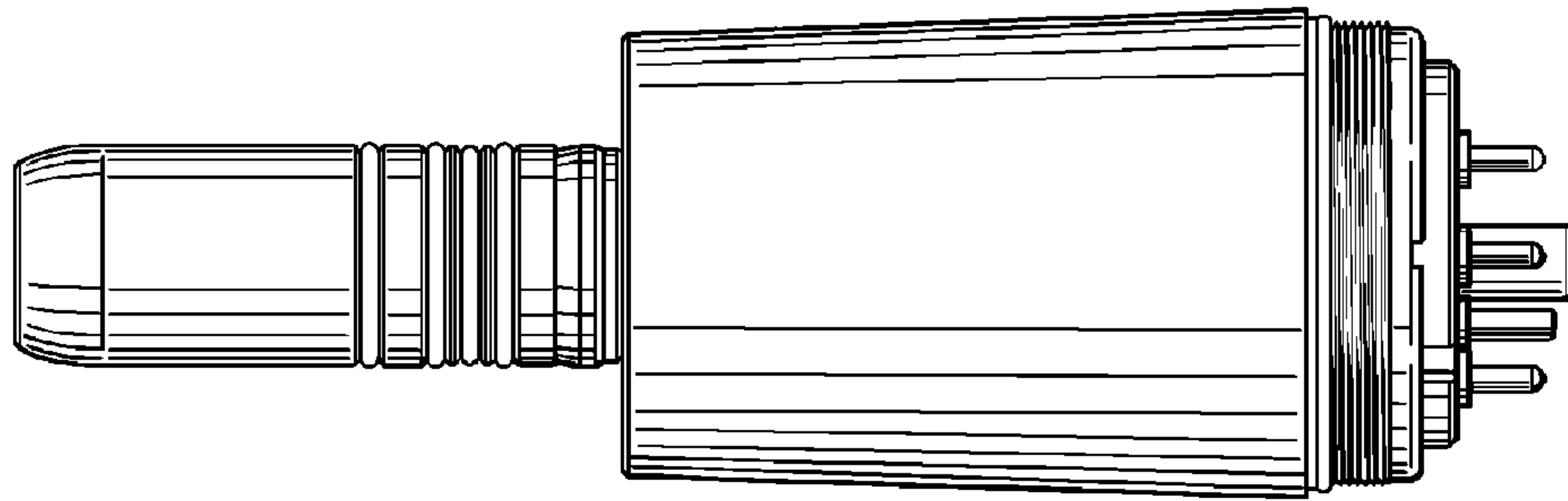


FIG. 2

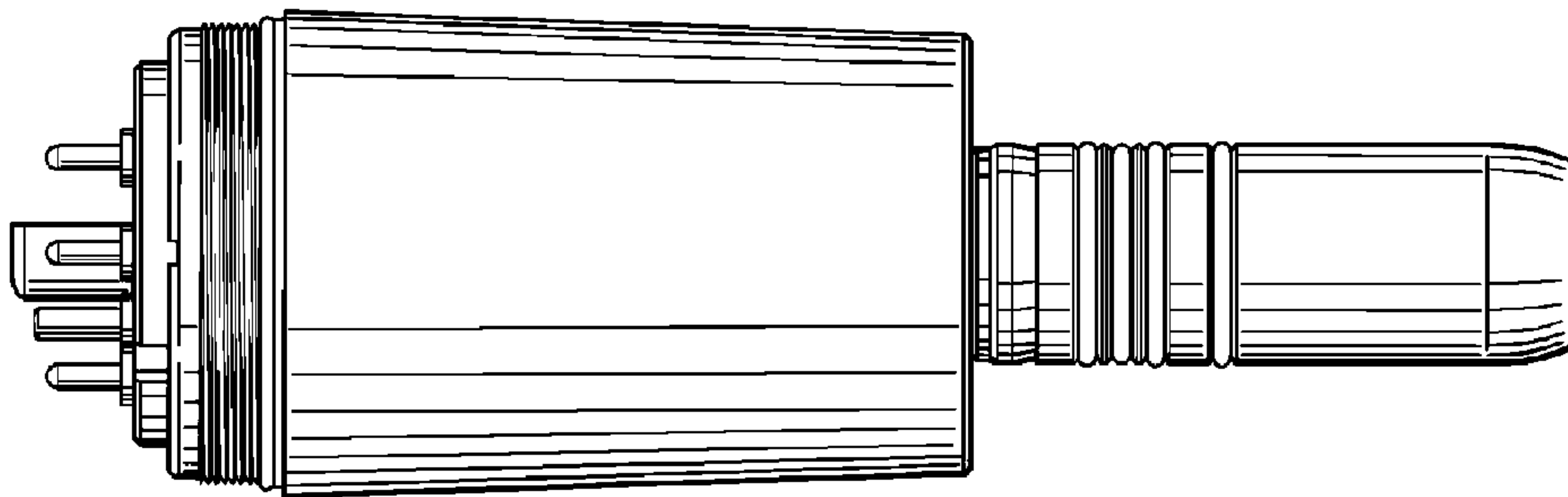


FIG. 3

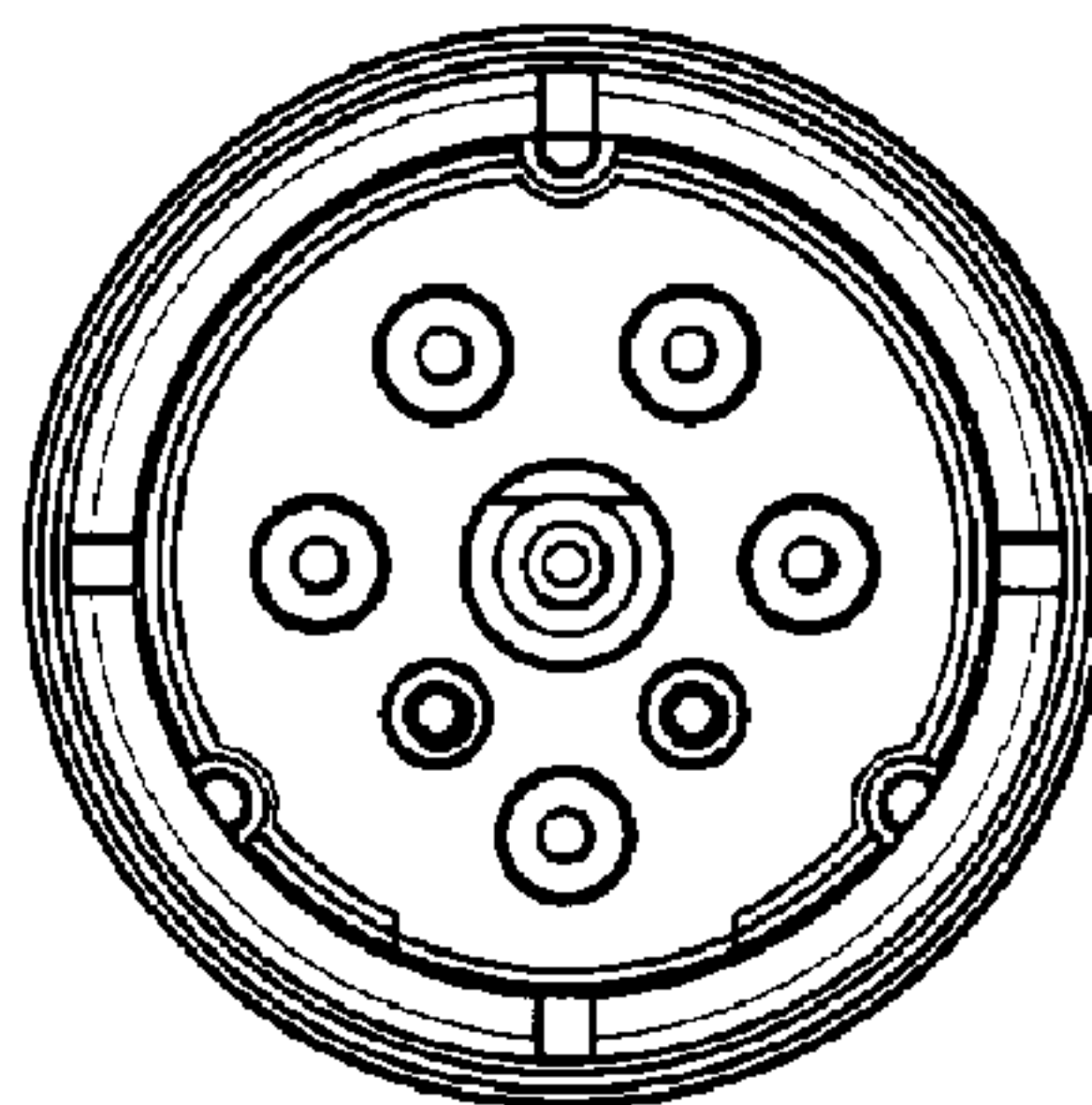


FIG. 4

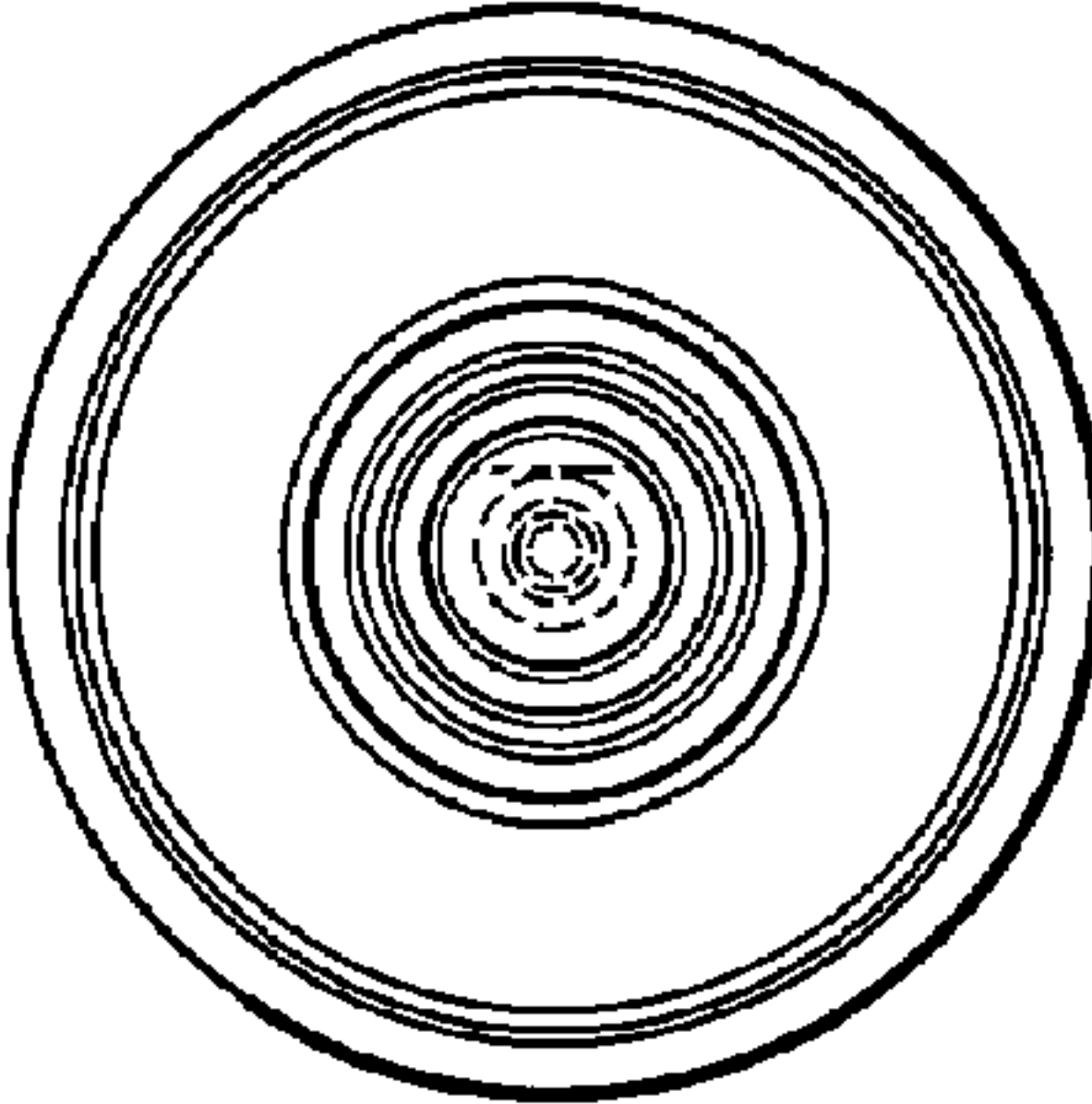


FIG. 5

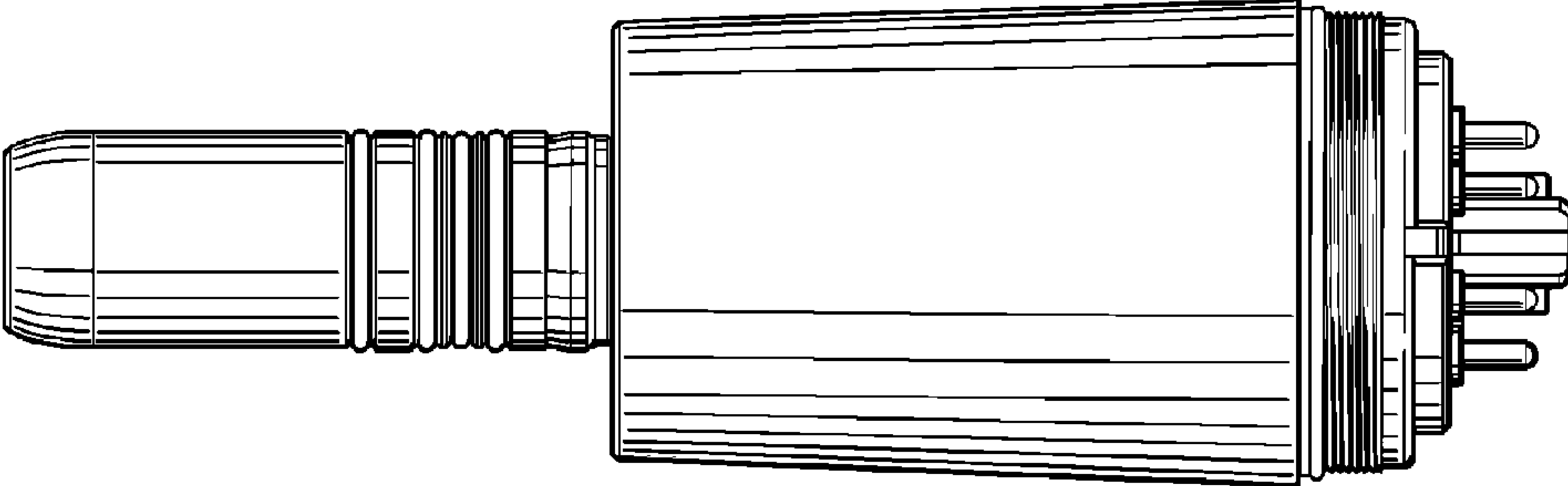


FIG. 6

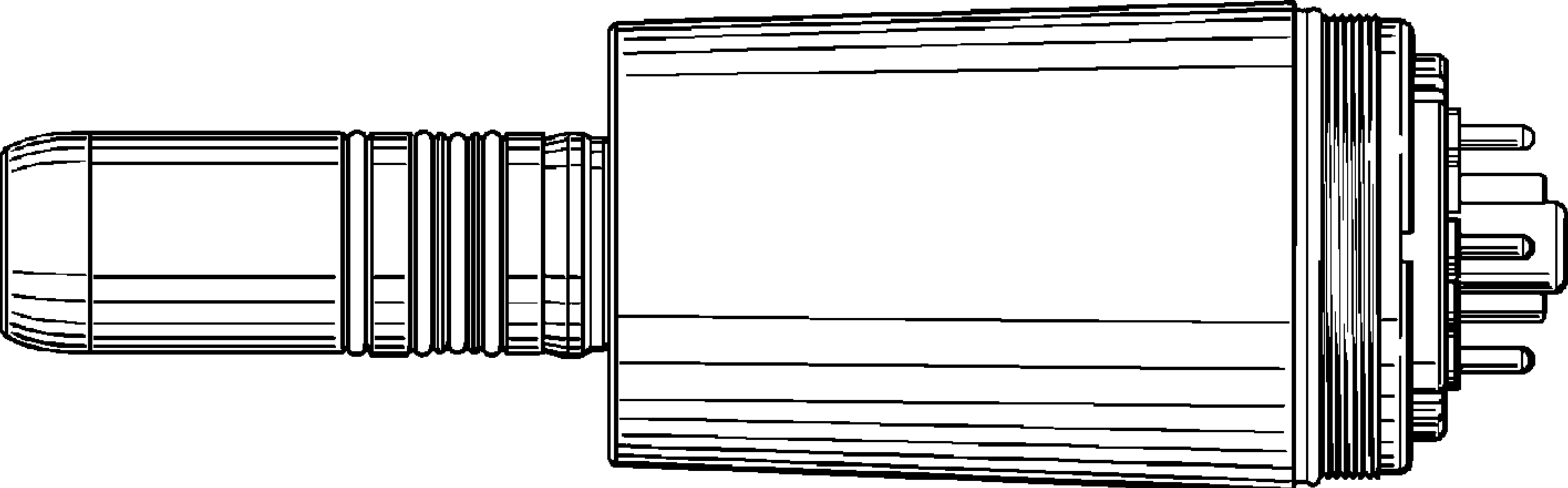


FIG. 7

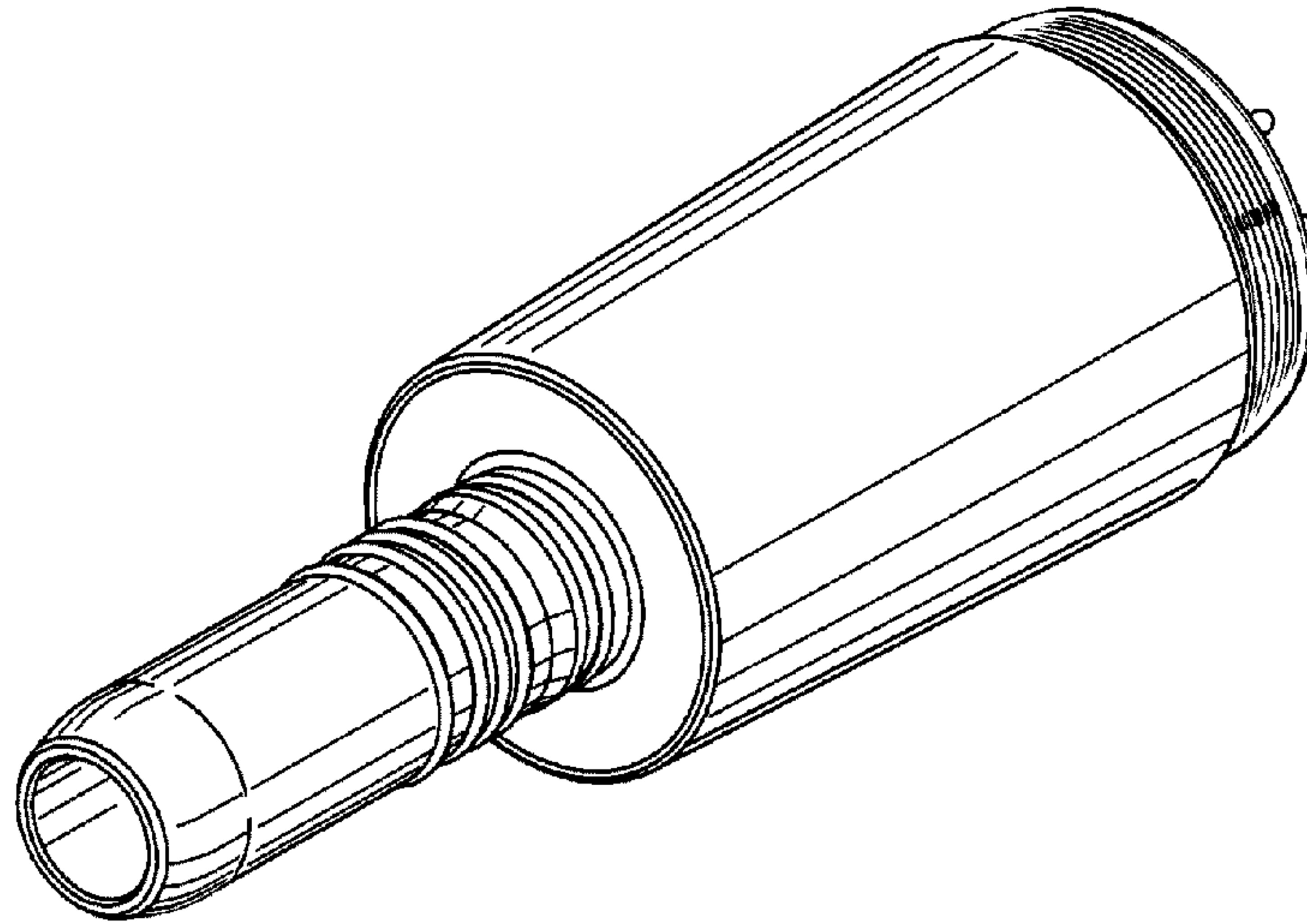
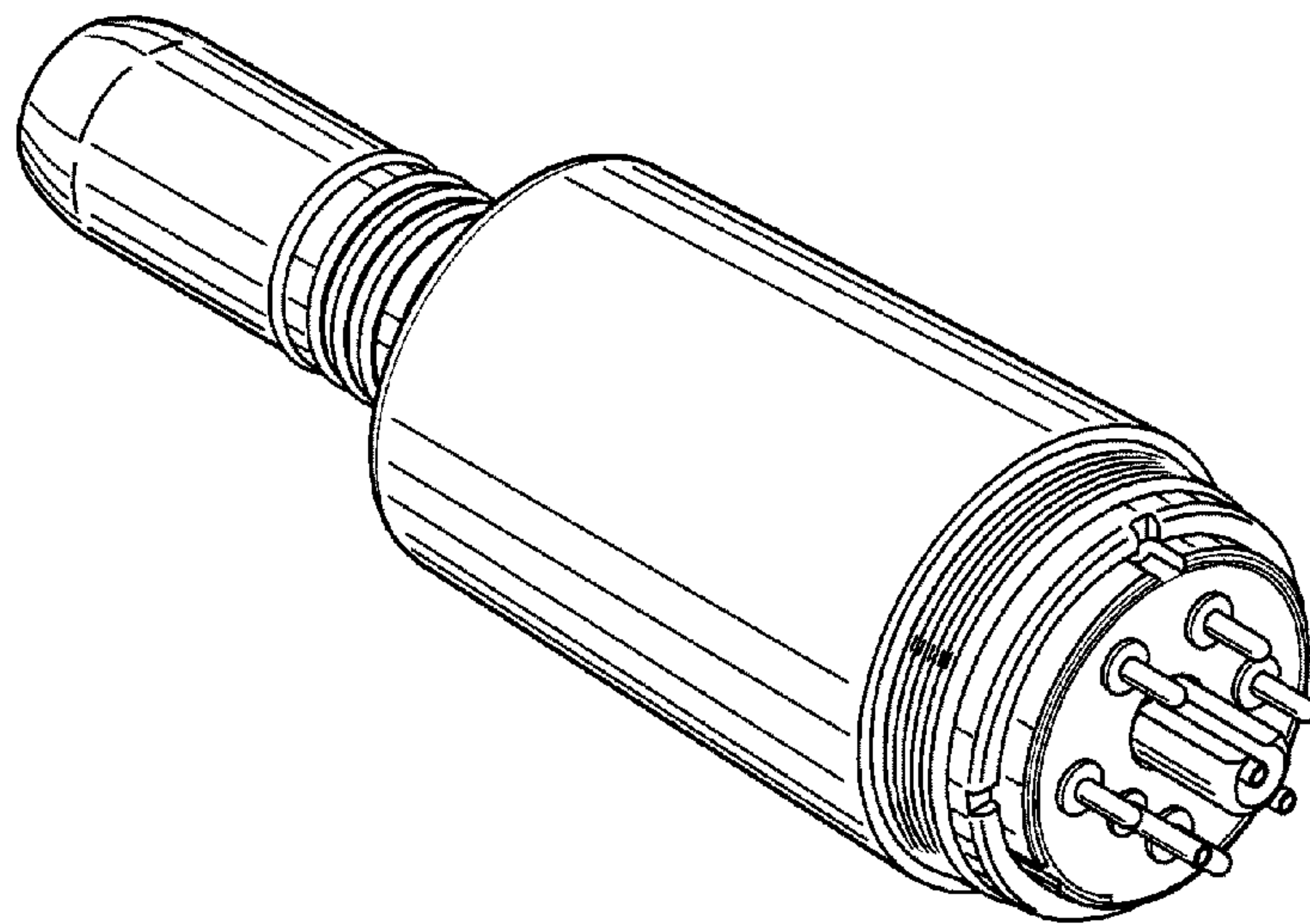


FIG. 8



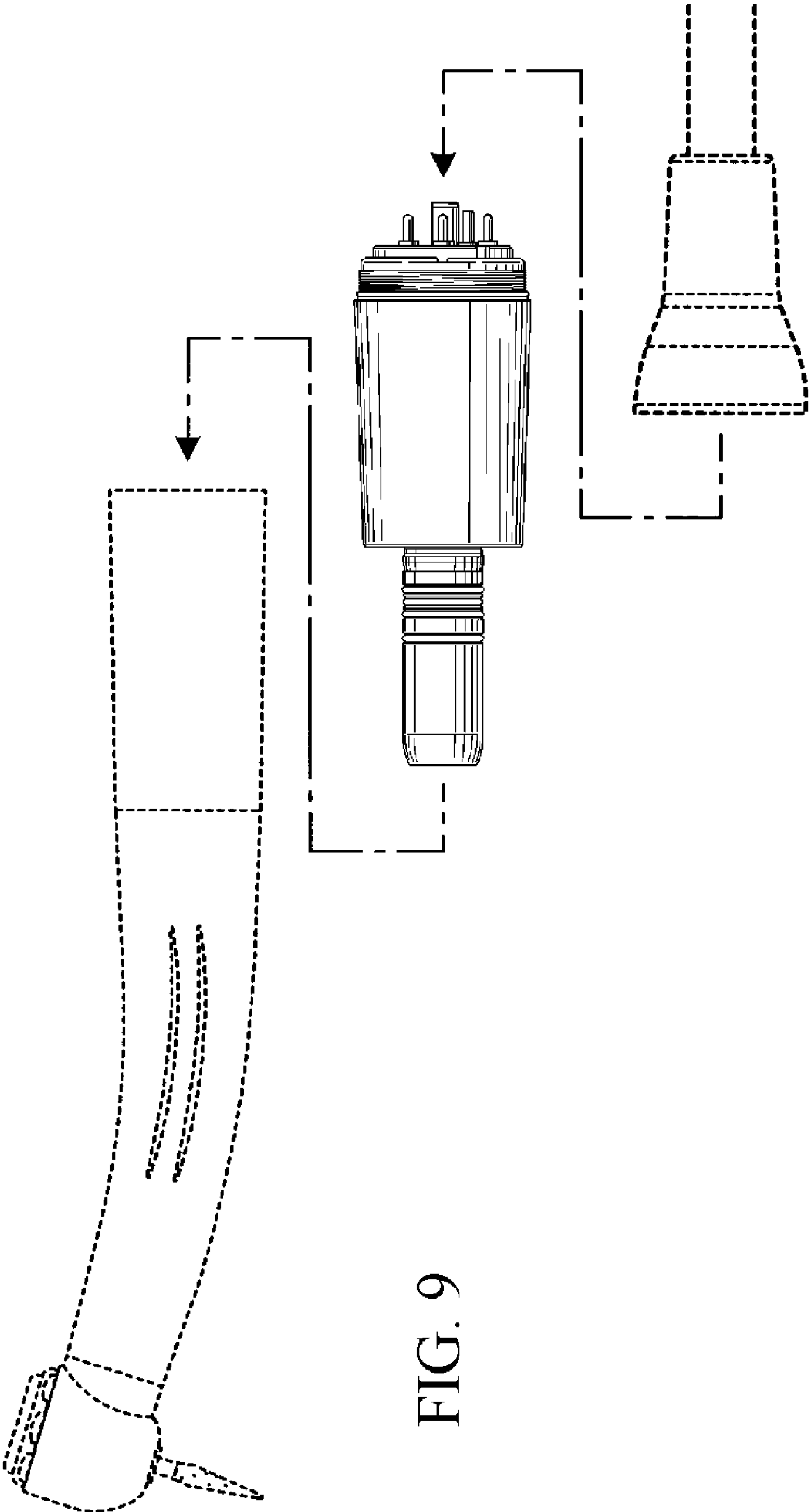


FIG. 9