



US00D645963S

(12) **United States Design Patent**
Buerk et al.

(10) **Patent No.:** **US D645,963 S**

(45) **Date of Patent:** **** *Sep. 27, 2011**

(54) **ENDOSCOPE OPTIC**

(75) Inventors: **Andre Buerk**, Villingen-Schwenningen (DE); **Stefan Heseler**, Trossingen (DE); **Elmar Teichtmann**, Eppingen (DE)

(73) Assignee: **Karl Storz GmbH & Co. KG** (DE)

(*) Notice: This patent is subject to a terminal disclaimer.

(**) Term: **14 Years**

(21) Appl. No.: **29/353,814**

(22) Filed: **Jan. 14, 2010**

(30) **Foreign Application Priority Data**

Jul. 14, 2009 (EM) 001581810-0006

(51) **LOC (9) Cl.** **24-02**

(52) **U.S. Cl.** **D24/138**

(58) **Field of Classification Search** D24/138, D24/137, 133; 600/101-183; 385/117
See application file for complete search history.

(56) **References Cited**

U.S. PATENT DOCUMENTS

6,201,649	B1 *	3/2001	Rudischhauser et al.	359/808
6,743,166	B2 *	6/2004	Berci et al.	600/120
D536,790	S *	2/2007	Michel et al.	D24/137
D585,923	S *	2/2009	Berci	D16/130
D598,099	S	8/2009	Halbig	
D606,193	S *	12/2009	Oberlaender et al.	D24/146

D611,600	S *	3/2010	Stammberger et al.	D24/138
D612,497	S *	3/2010	Berci	D24/138
D637,718	S *	5/2011	Eisenkolb	D24/138
D637,719	S *	5/2011	Eisenkolb	D24/138
2006/0089534	A1 *	4/2006	Michel et al.	600/135

* cited by examiner

Primary Examiner — Bridget L Eland

(74) *Attorney, Agent, or Firm* — St. Onge Steward Johnston & Reens LLC

(57) **CLAIM**

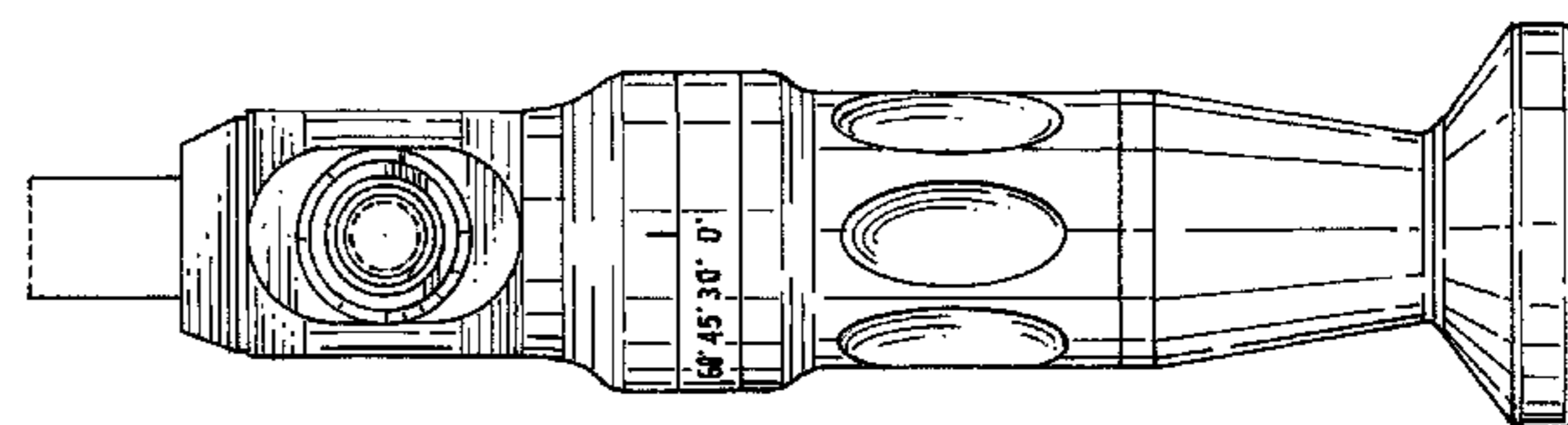
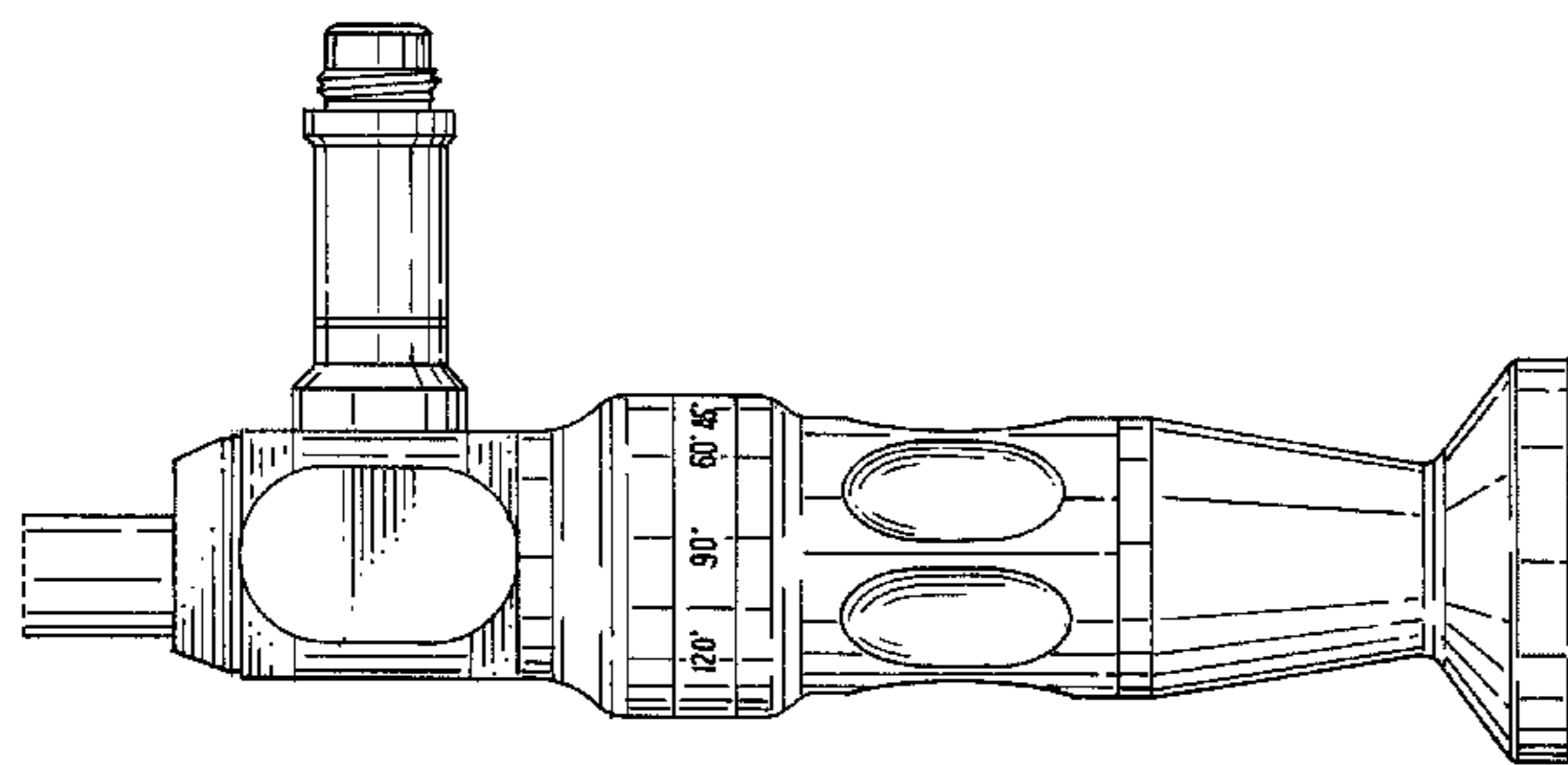
The ornamental design for an endoscope optic, as shown and described.

DESCRIPTION

FIG. 1 is a left side perspective view of an endoscope optic in accordance with the new design;
FIG. 2 is a left side elevation view thereof;
FIG. 3 is a right side elevation view thereof;
FIG. 4 is a top plan view thereof;
FIG. 5 is a bottom plan view thereof;
FIG. 6 is a front elevation view thereof; and,
FIG. 7 is a rear elevation view thereof.

The broken lines shown in FIGS. 1-7 immediately adjacent the claimed areas represent the bounds of the claimed design while all other broken lines are directed to environment and are for illustrative purposes only; the broken lines form no part of the claimed design.

1 Claim, 6 Drawing Sheets



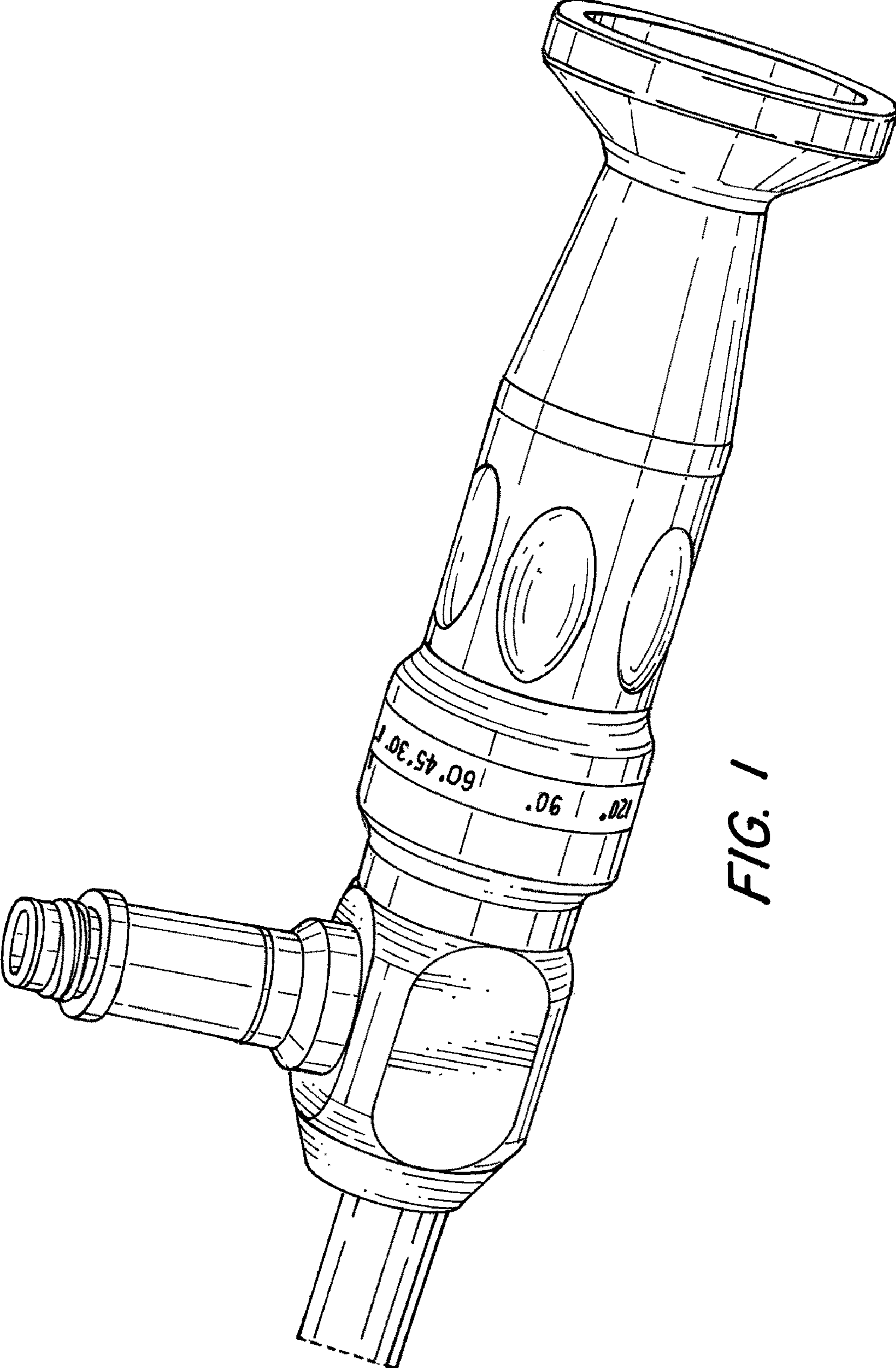


FIG. 1

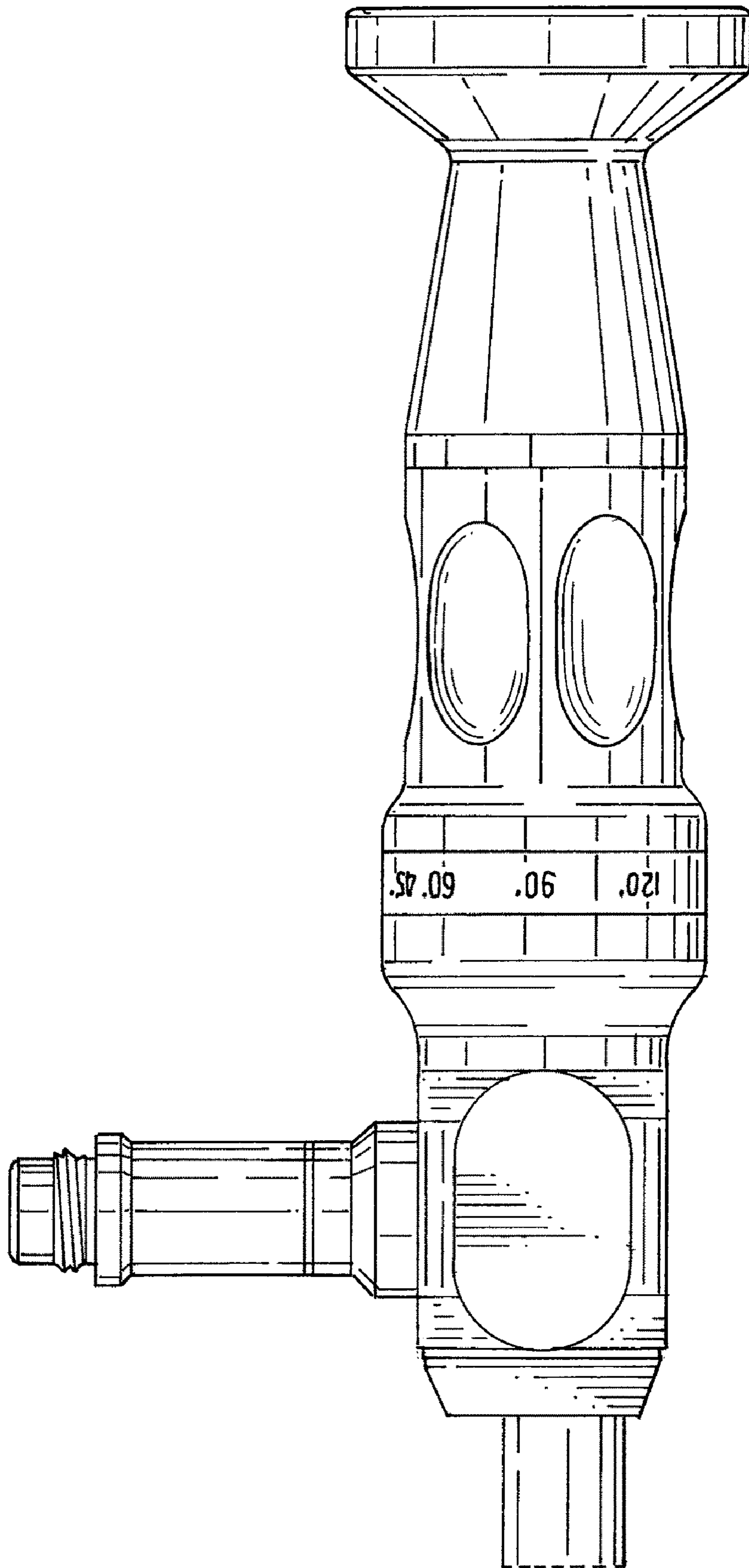


FIG. 2

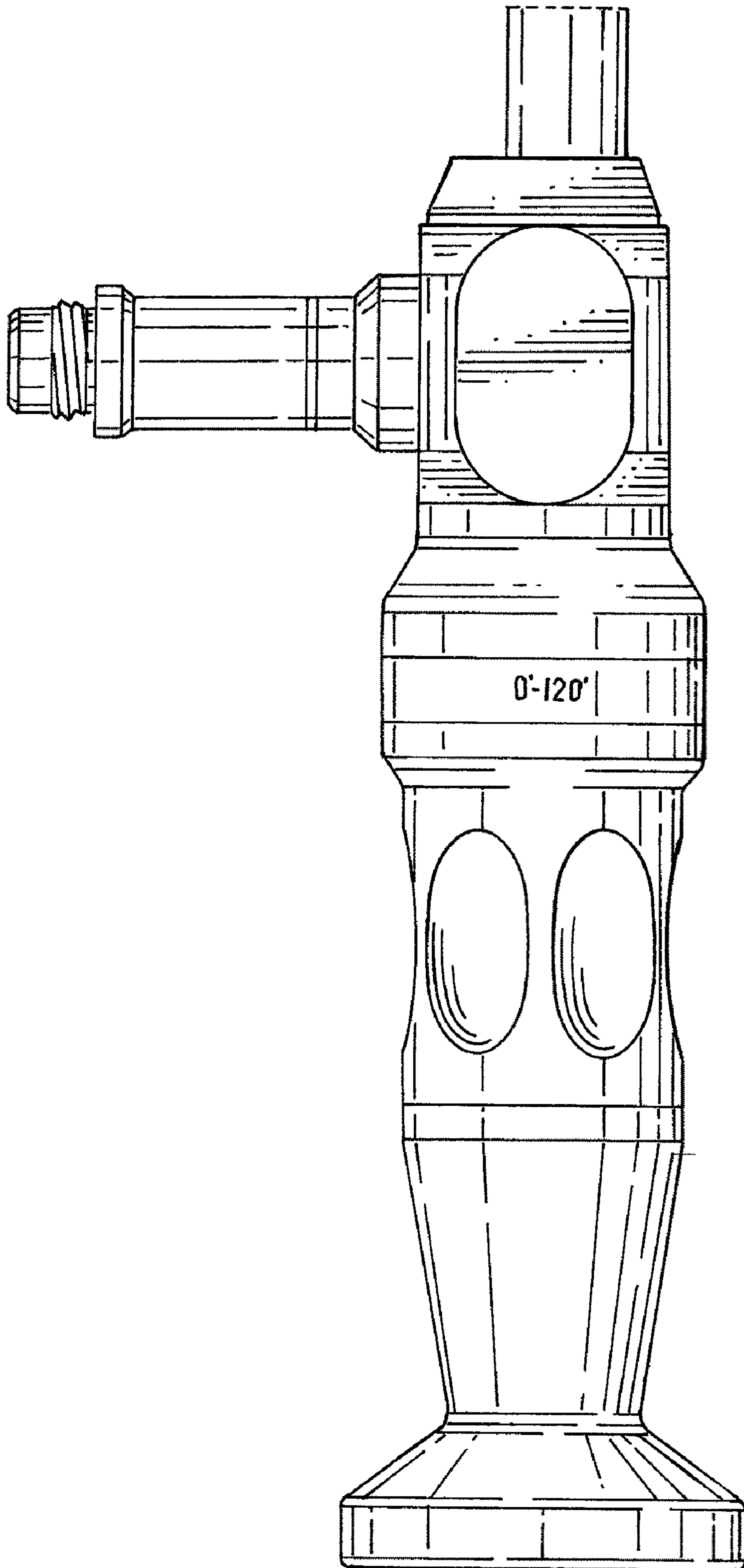


FIG. 3

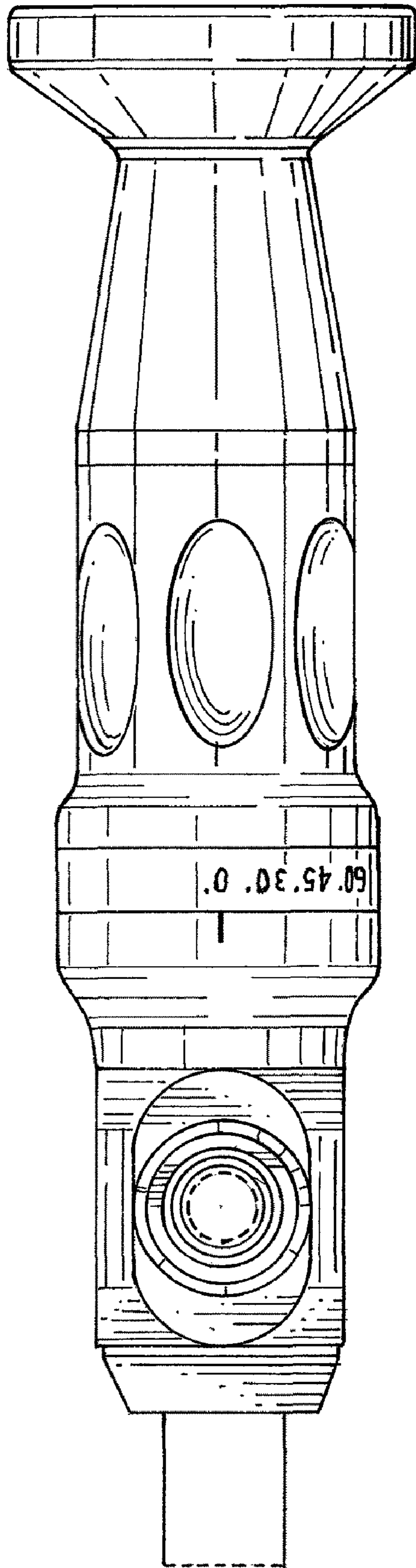


FIG. 4

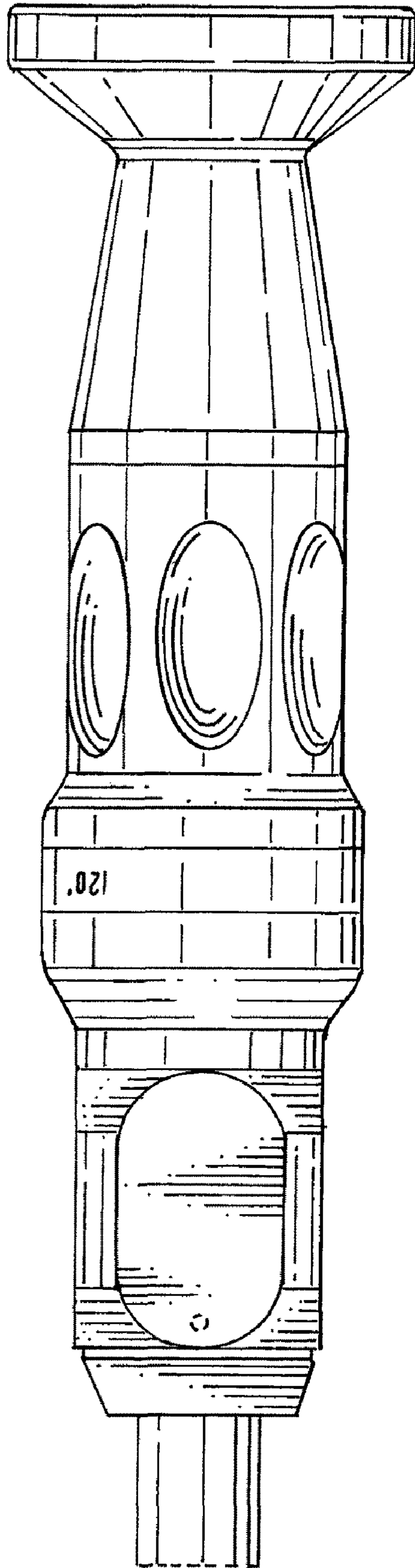


FIG. 5

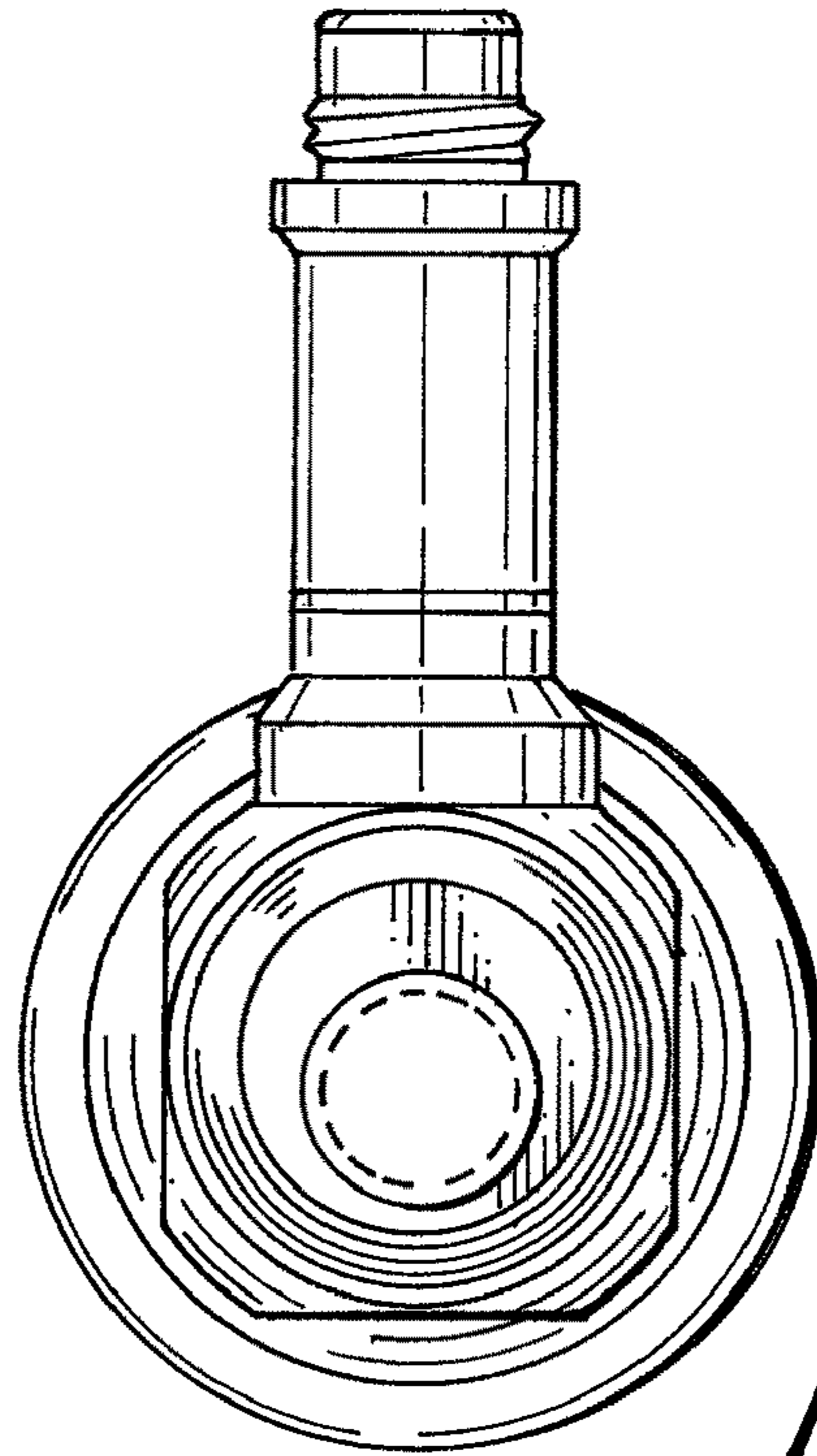


FIG. 6

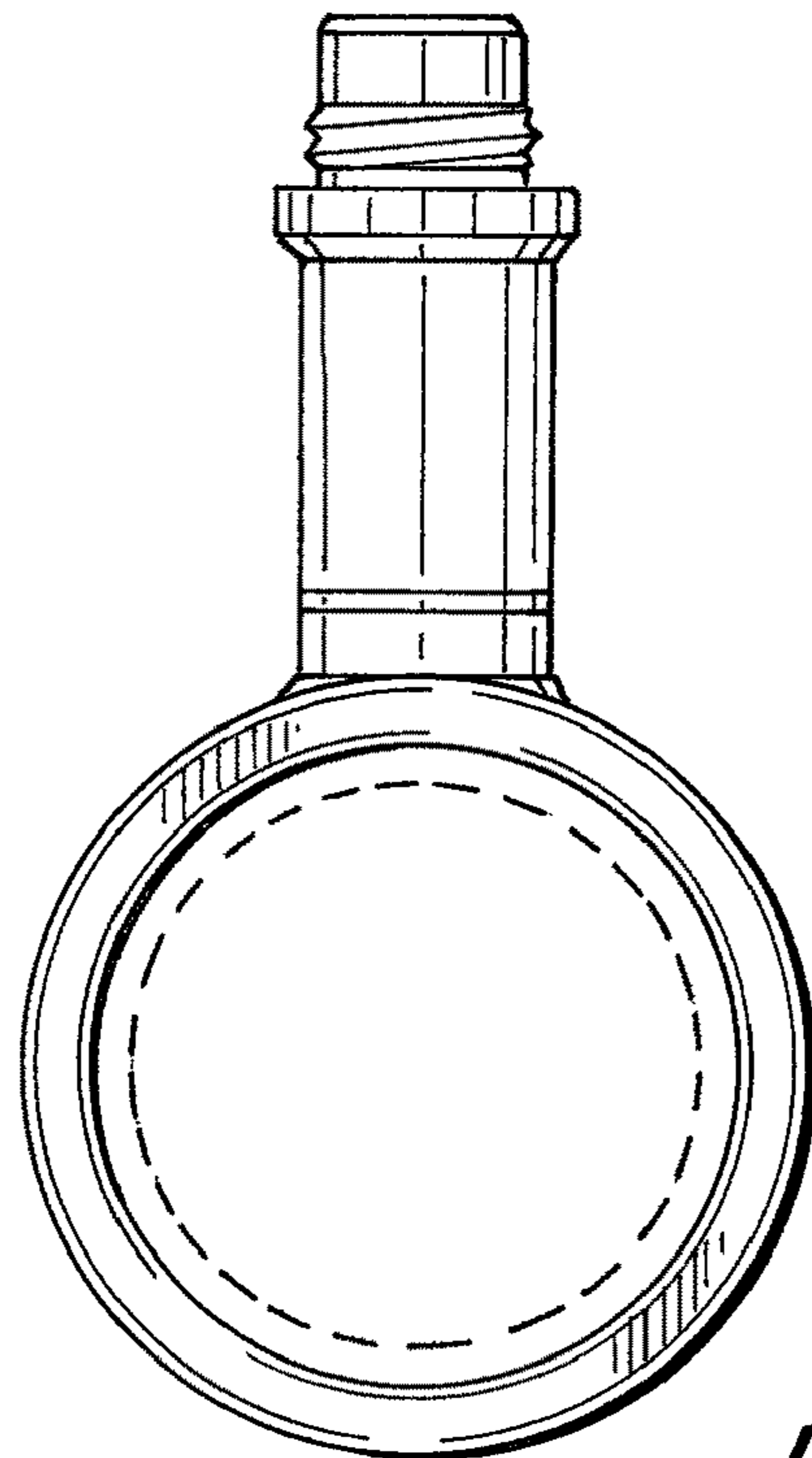


FIG. 7