



US00D645962S

(12) **United States Design Patent**  
**Shaw et al.**

(10) **Patent No.:** **US D645,962 S**  
(45) **Date of Patent:** **\*\* Sep. 27, 2011**

(54) **HOUSING FOR COLLECTION DEVICE FOR BODILY FLUIDS**

(75) Inventors: **Thomas J. Shaw**, Frisco, TX (US);  
**Mark Small**, Leonard, TX (US); **Ni Zhu**, Plano, TX (US); **Nicoleh Tamaraya Larios**, Frisco, TX (US)

(73) Assignee: **Retractable Technologies, Inc.**, Little Elm, TX (US)

(\*\*) Term: **14 Years**

(21) Appl. No.: **29/366,778**

(22) Filed: **Jul. 29, 2010**

(51) **LOC (9) Cl.** ..... **24-02**

(52) **U.S. Cl.** ..... **D24/130**

(58) **Field of Classification Search** ..... D24/112,  
D24/130, 113, 146; 604/110, 192, 195-196,  
604/410, 576, 577, 578, 583

See application file for complete search history.

(56) **References Cited**

U.S. PATENT DOCUMENTS

4,641,663	A *	2/1987	Juhn	.....	600/578
5,120,311	A *	6/1992	Sagstetter et al.	.....	604/110
5,219,333	A *	6/1993	Sagstetter et al.	.....	604/110
5,312,372	A *	5/1994	DeHarde et al.	.....	604/198
5,411,492	A *	5/1995	Sturman et al.	.....	604/263
5,672,161	A *	9/1997	Allen et al.	.....	604/263
5,702,369	A *	12/1997	Mercereau	.....	604/192
D460,181	S *	7/2002	Swenson	.....	D24/130
D460,182	S *	7/2002	Swenson	.....	D24/130
D460,551	S *	7/2002	Swenson	.....	D24/130

D462,761	S *	9/2002	Swenson	.....	D24/130
D462,762	S *	9/2002	Swenson	.....	D24/130
D462,764	S *	9/2002	Swenson	.....	D24/130
D463,025	S *	9/2002	Swenson	.....	D24/130
D604,836	S *	11/2009	Crawford et al.	.....	D24/130
D604,837	S *	11/2009	Crawford et al.	.....	D24/130
D604,838	S *	11/2009	Crawford et al.	.....	D24/130
D604,839	S *	11/2009	Crawford et al.	.....	D24/130
D604,840	S *	11/2009	Crawford et al.	.....	D24/130
D604,841	S *	11/2009	Crawford et al.	.....	D24/130
D605,287	S *	12/2009	Crawford et al.	.....	D24/130
D613,398	S *	4/2010	Crawford et al.	.....	D24/130

\* cited by examiner

*Primary Examiner* — T. Chase Nelson

*Assistant Examiner* — Eric Goodman

(74) *Attorney, Agent, or Firm* — Locke Lord Bissell & Liddell, LLP

(57) **CLAIM**

The ornamental design for a housing for collection device for bodily fluids, as shown and described.

**DESCRIPTION**

FIG. 1 is a top perspective view of

FIG. 2 is a front elevation view;

FIG. 3 is a rear elevation view;

FIG. 4 is a top plan view;

FIG. 5 is the bottom plan view;

FIG. 6 is a left end view; and,

FIG. 7 is a right end view.

The broken lines showing the housing for collection device for bodily fluids are included for the purpose of illustrating portions of the article and form no part of the claimed design.

**1 Claim, 2 Drawing Sheets**

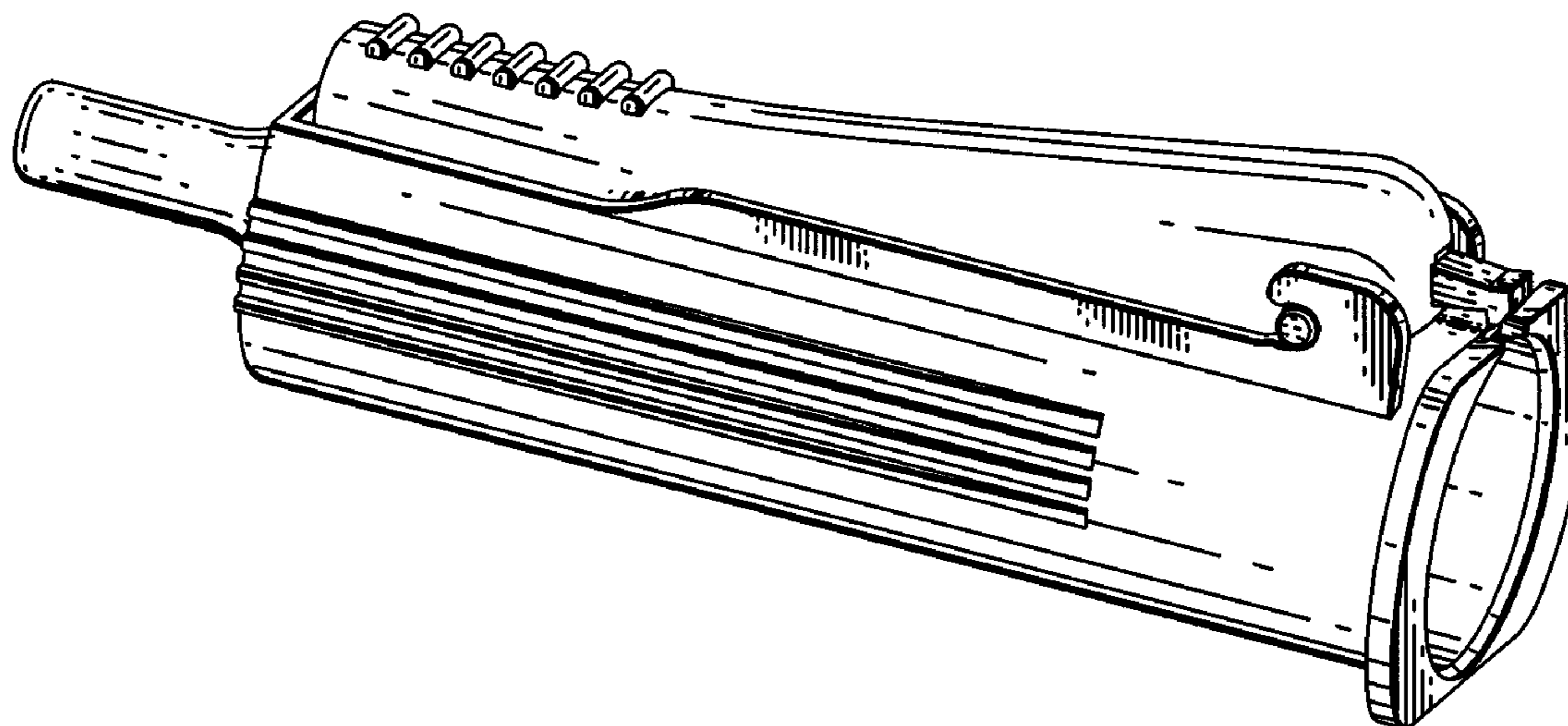


FIG. 1

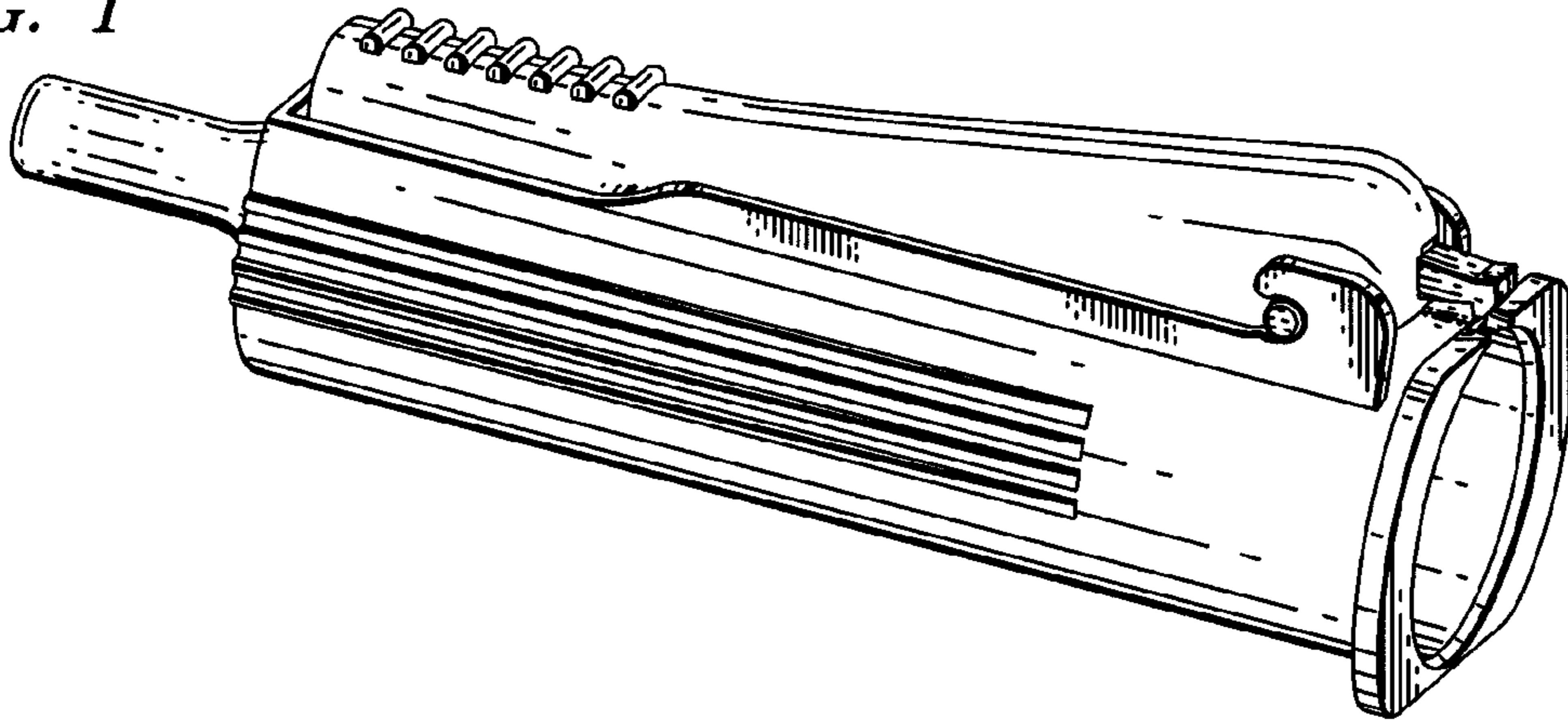


FIG. 2



FIG. 3

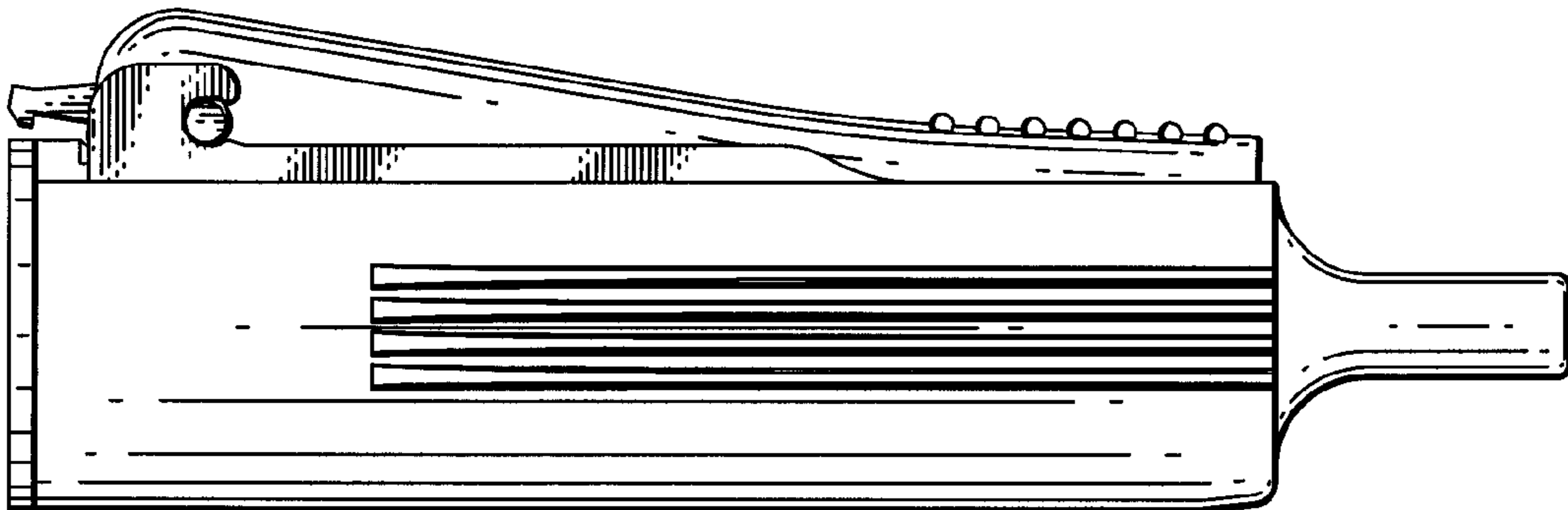


FIG. 4

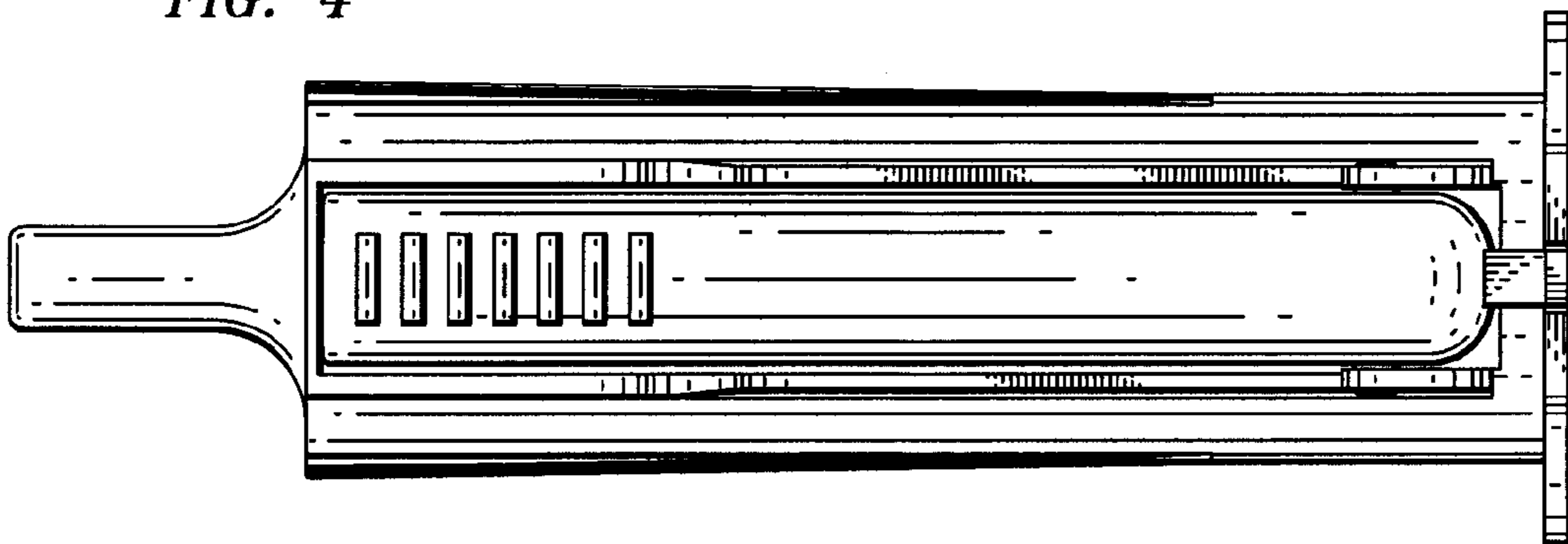


FIG. 5

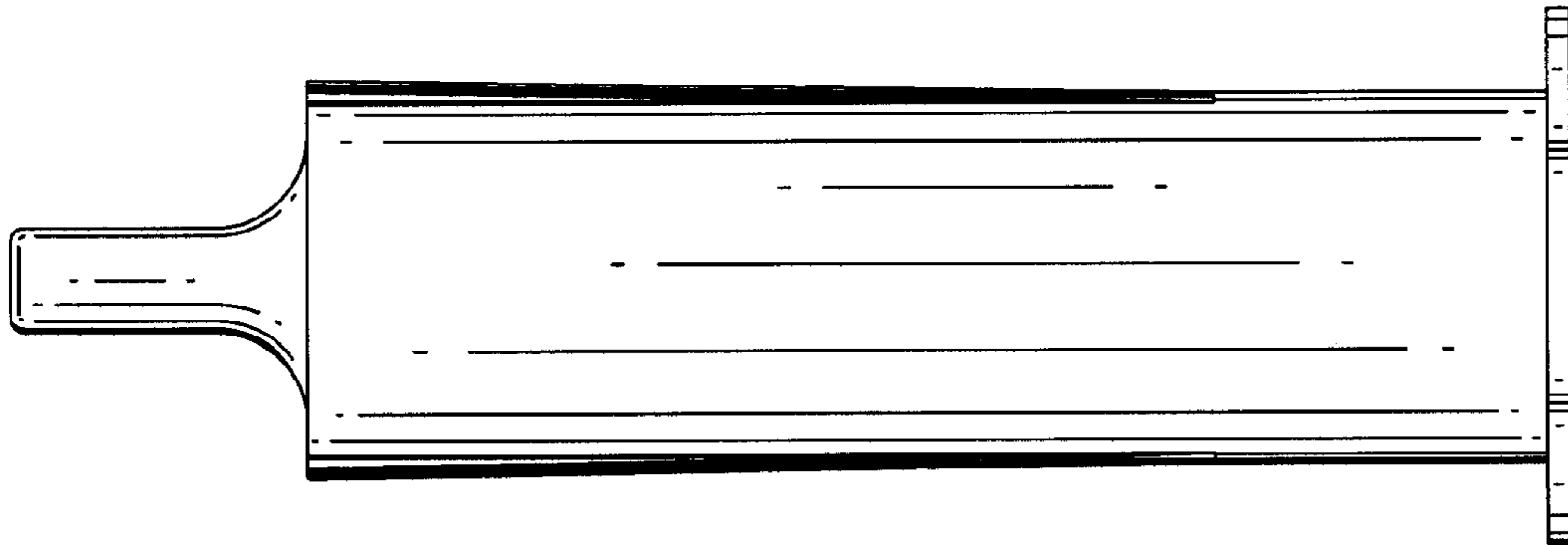


FIG. 6

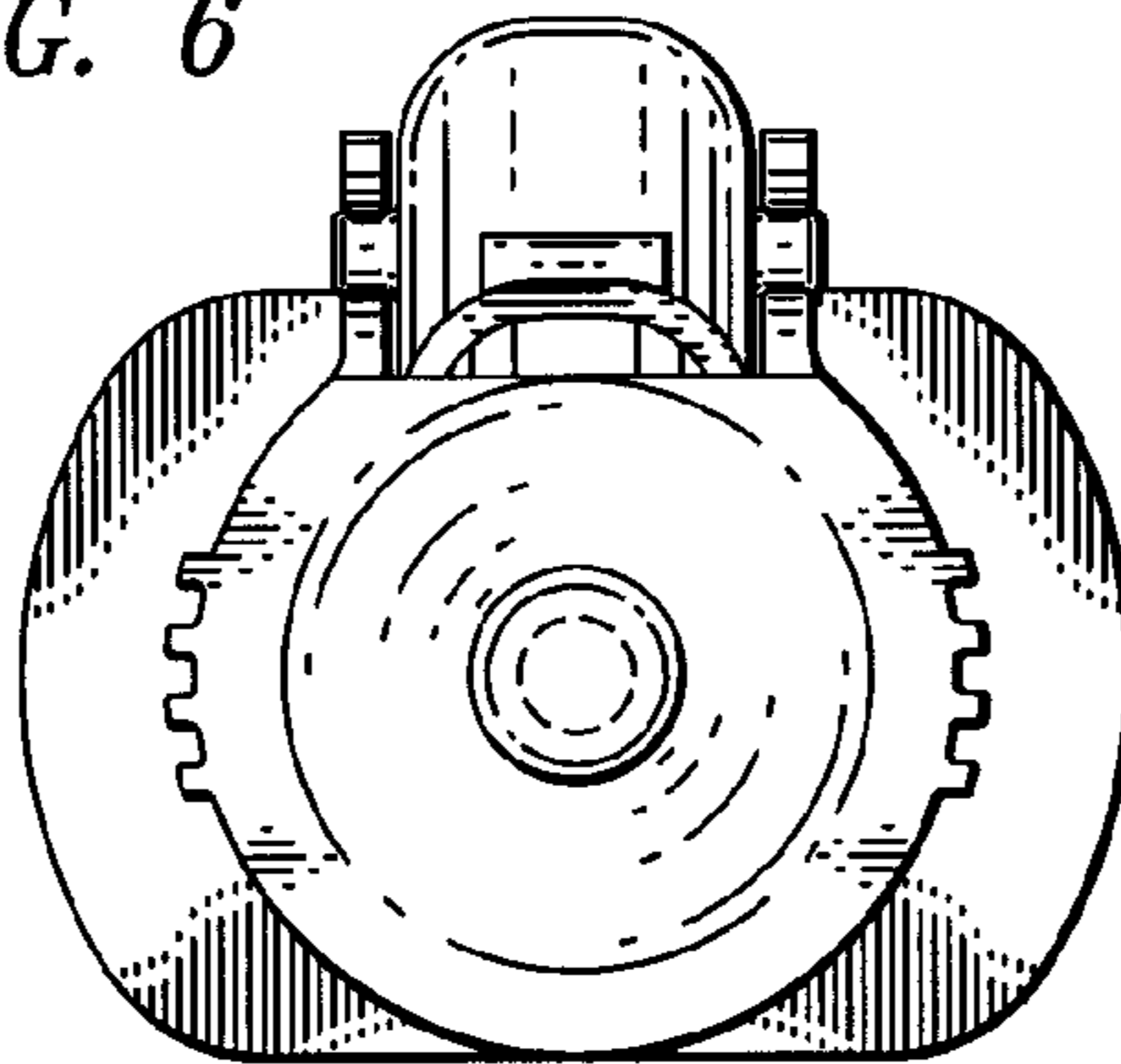


FIG. 7

