



US00D645955S

(12) **United States Design Patent**
Kooij et al.

(10) **Patent No.:** **US D645,955 S**
(45) **Date of Patent:** **** Sep. 27, 2011**

- (54) **RESPIRATORY MASK FRAME**
- (75) Inventors: **Michiel Kooij**, Amsterdam (NL); **Luke Maguire**, Stanmore (AU); **Fiona Catherine Carroll**, Concord (AU); **Craig David Edwards**, Annandale (AU)
- (73) Assignee: **ResMed Limited**, Bella Vista (AU)
- (**) Term: **14 Years**
- (21) Appl. No.: **29/311,163**
- (22) Filed: **Jan. 7, 2009**

Related U.S. Application Data

- (62) Division of application No. 29/257,607, filed on Apr. 7, 2006, now Pat. No. Des. 586,458.
 - (51) **LOC (9) Cl.** **29-02**
 - (52) **U.S. Cl.** **D24/110.1; D24/110.4; D24/110.5**
 - (58) **Field of Classification Search** D24/110.1, D24/110.4, 110.5, 164; 128/204.18, 205.25, 128/206.12, 206.21, 206.27, 206.26, 207.11, 128/207.17, 207.13
- See application file for complete search history.

(56) **References Cited**

U.S. PATENT DOCUMENTS

D322,318 S	12/1991	Sullivan
5,074,297 A	12/1991	Venegas
D402,755 S	12/1998	Kwok
6,044,844 A	4/2000	Kwok et al.
D428,987 S	8/2000	Kwok
D430,663 S	9/2000	Smart
6,112,746 A	9/2000	Kwok et al.
D439,326 S	3/2001	Hecker et al.
D443,355 S	6/2001	Gunaratnam et al.
D457,622 S	5/2002	Kopacko et al.
D458,365 S	6/2002	Kopacko et al.
D459,800 S	7/2002	Smart
D464,427 S	10/2002	Smart
D468,823 S	1/2003	Smart

6,513,526 B2	2/2003	Kwok et al.
6,532,961 B1	3/2003	Kwok et al.
6,561,190 B1	5/2003	Kwok
6,581,602 B2	6/2003	Kwok et al.
D476,732 S	7/2003	Smart
D484,237 S	12/2003	Lang et al.
D486,226 S	2/2004	Guney et al.
D486,907 S *	2/2004	Guney et al. D24/110.1
D492,992 S	7/2004	Guney et al.
D493,221 S	7/2004	Smart

(Continued)

FOREIGN PATENT DOCUMENTS

WO WO 99/58181 11/1999
(Continued)

OTHER PUBLICATIONS

Kooij et al., Parent U.S. Appl. No. 29/257,607, filed Apr. 7, 2006.
(Continued)

Primary Examiner — Ian Simmons
Assistant Examiner — Wan Laymon
(74) *Attorney, Agent, or Firm* — Nixon & Vanderhye P.C.

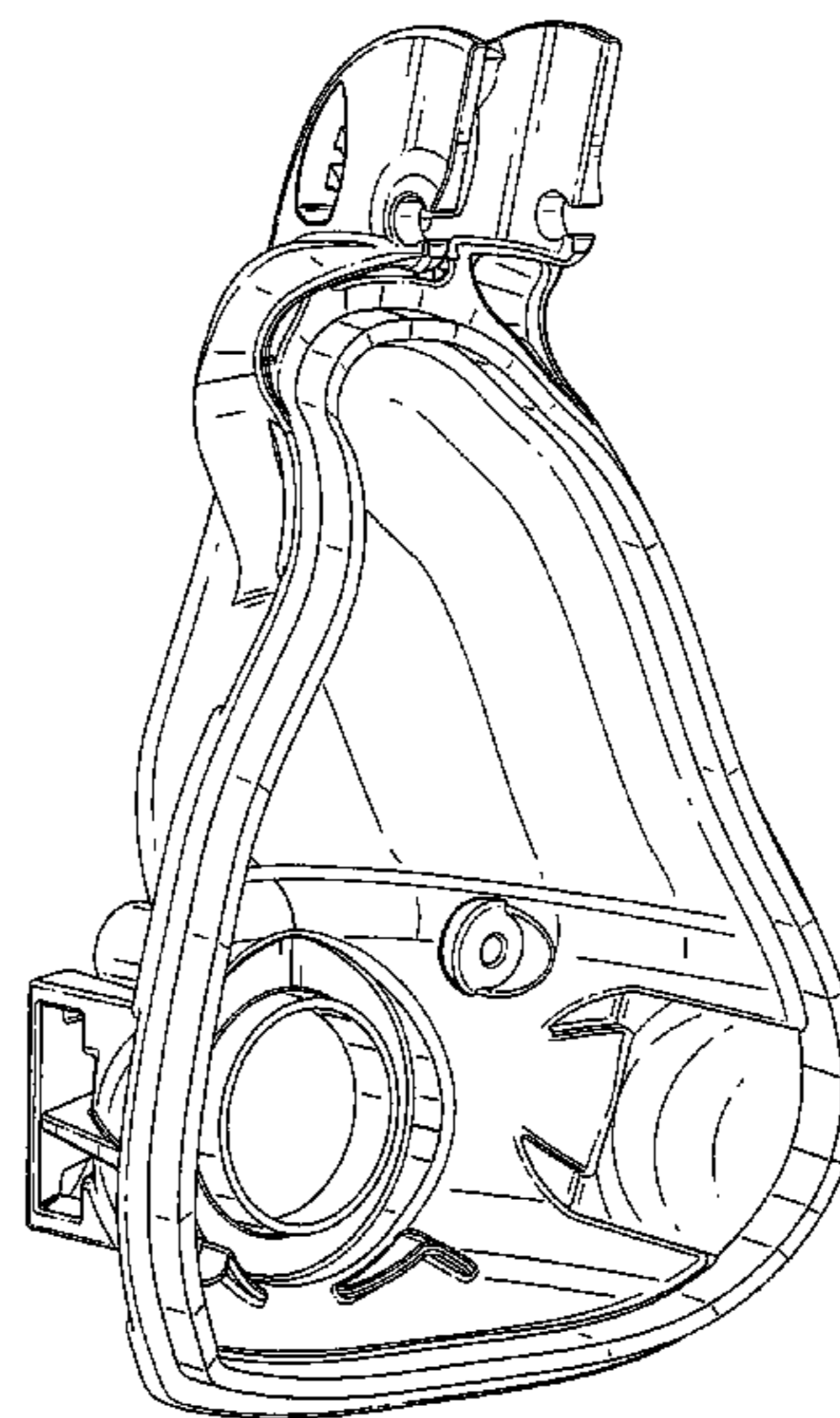
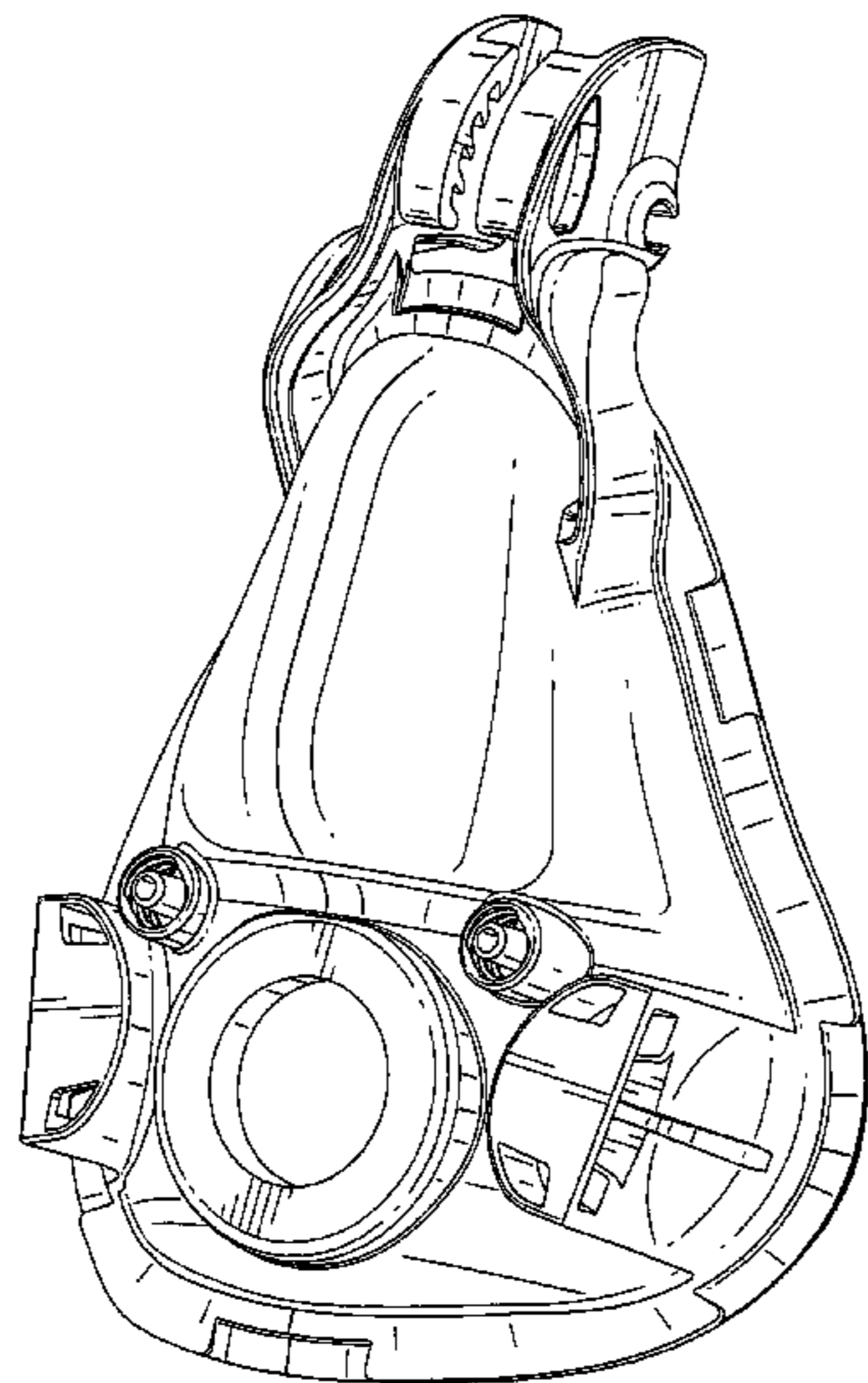
(57) **CLAIM**

The ornamental design for a respiratory mask frame, as shown.

DESCRIPTION

FIG. 1 is a front perspective view of a respiratory mask frame according to our design;
FIG. 2 is a reverse perspective view thereof;
FIG. 3 is a front view thereof;
FIG. 4 is a rear view thereof;
FIG. 5 is a top view thereof;
FIG. 6 is a bottom view thereof;
FIG. 7 is a right side view thereof; and,
FIG. 8 is a left side view thereof.

1 Claim, 6 Drawing Sheets



US D645,955 S

Page 2

U.S. PATENT DOCUMENTS

D493,885 S 8/2004 Raje et al.
D498,530 S 11/2004 Smart
D502,260 S 2/2005 Lang et al.
D506,827 S * 6/2005 Jones et al. D24/110.1
D515,204 S * 2/2006 Guney et al. D24/110.1
D519,207 S 4/2006 Raje et al.
D534,274 S * 12/2006 Smart D24/110.1
7,234,466 B2 * 6/2007 Kwok et al. 128/207.11
D558,334 S * 12/2007 Stallard et al. D24/110.1
D560,796 S * 1/2008 Jones et al. D24/110.1
D576,270 S * 9/2008 Gunaratnam D24/110.1
D594,112 S * 6/2009 Nga et al. D24/110.1
D597,660 S * 8/2009 Maurer D24/110.1
7,600,513 B2 * 10/2009 Gunaratnam et al. ... 128/206.27
2002/0023649 A1 2/2002 Gunaratnam et al.
2002/0096176 A1 7/2002 Gunaratnam et al.
2003/0034034 A1 2/2003 Kwok et al.

2003/0062048 A1 4/2003 Gradon et al.
2003/0089373 A1 5/2003 Gradon et al.
2003/0164170 A1 9/2003 Drew et al.
2004/0094157 A1 5/2004 Dantanarayana et al.
2005/0022820 A1 2/2005 Kwok et al.
2008/0314389 A1 * 12/2008 Thomas et al. 128/206.24

FOREIGN PATENT DOCUMENTS

WO WO 01/97892 12/2001

OTHER PUBLICATIONS

Raje et al., U.S. Appl. No. 29/290,257, filed Nov. 9, 2007.
Product Brochure, "Spectrum® Reusable Full Face Mask",
Respironics (1999), 2 pgs.
Raje et al., Parent U.S. Appl. No. 29/233,066, filed Jun. 28, 2005.

* cited by examiner

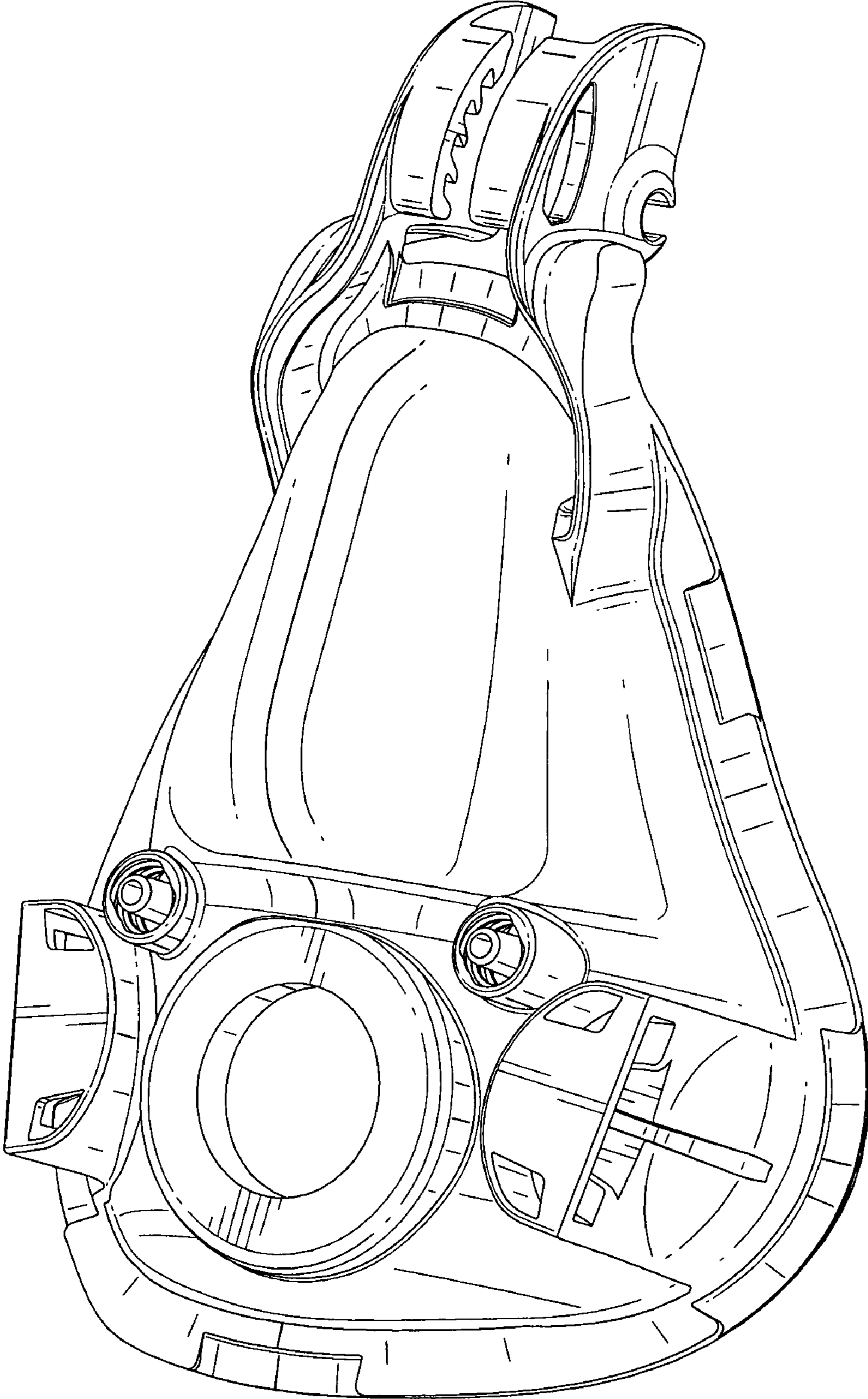


Fig. 1

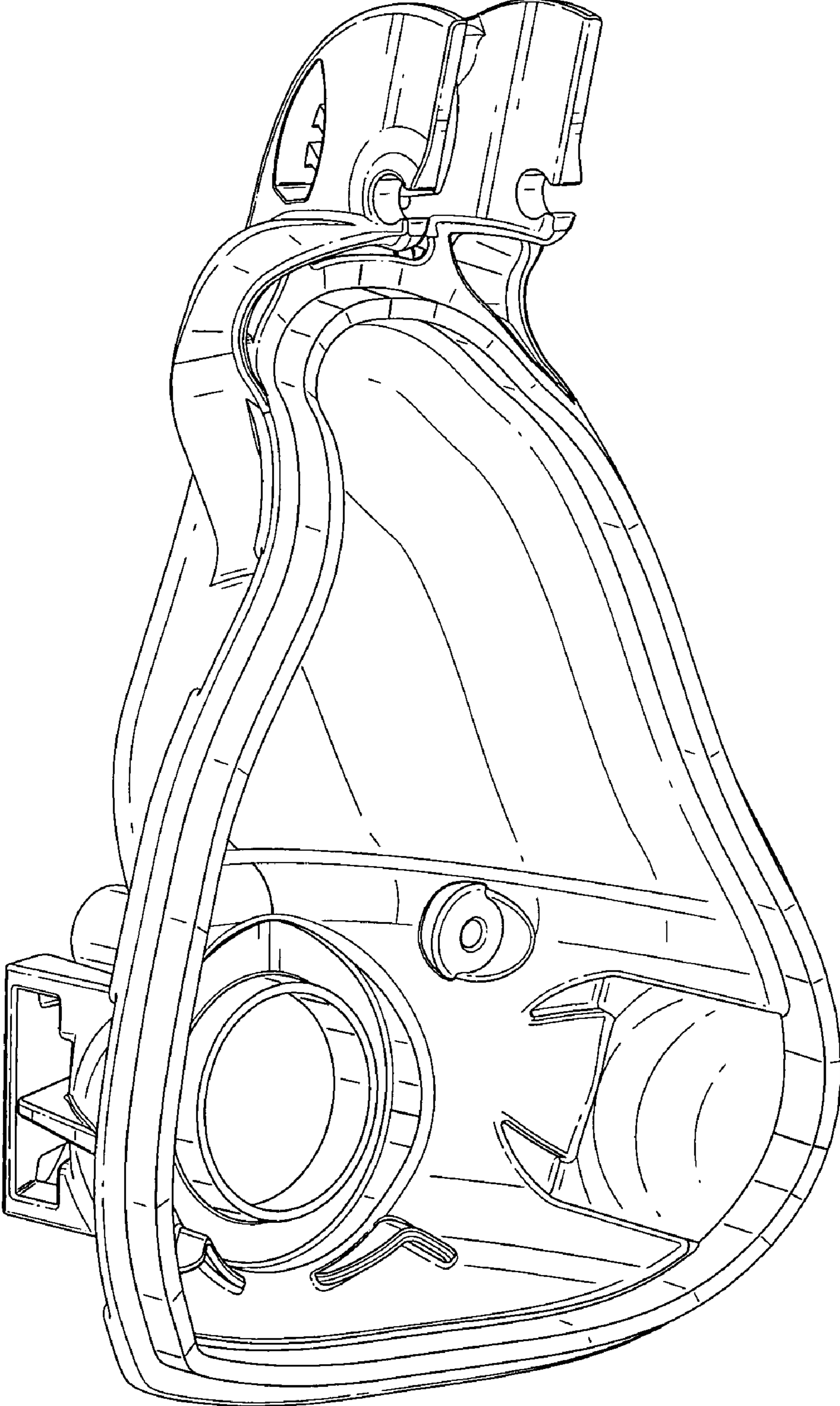


Fig. 2

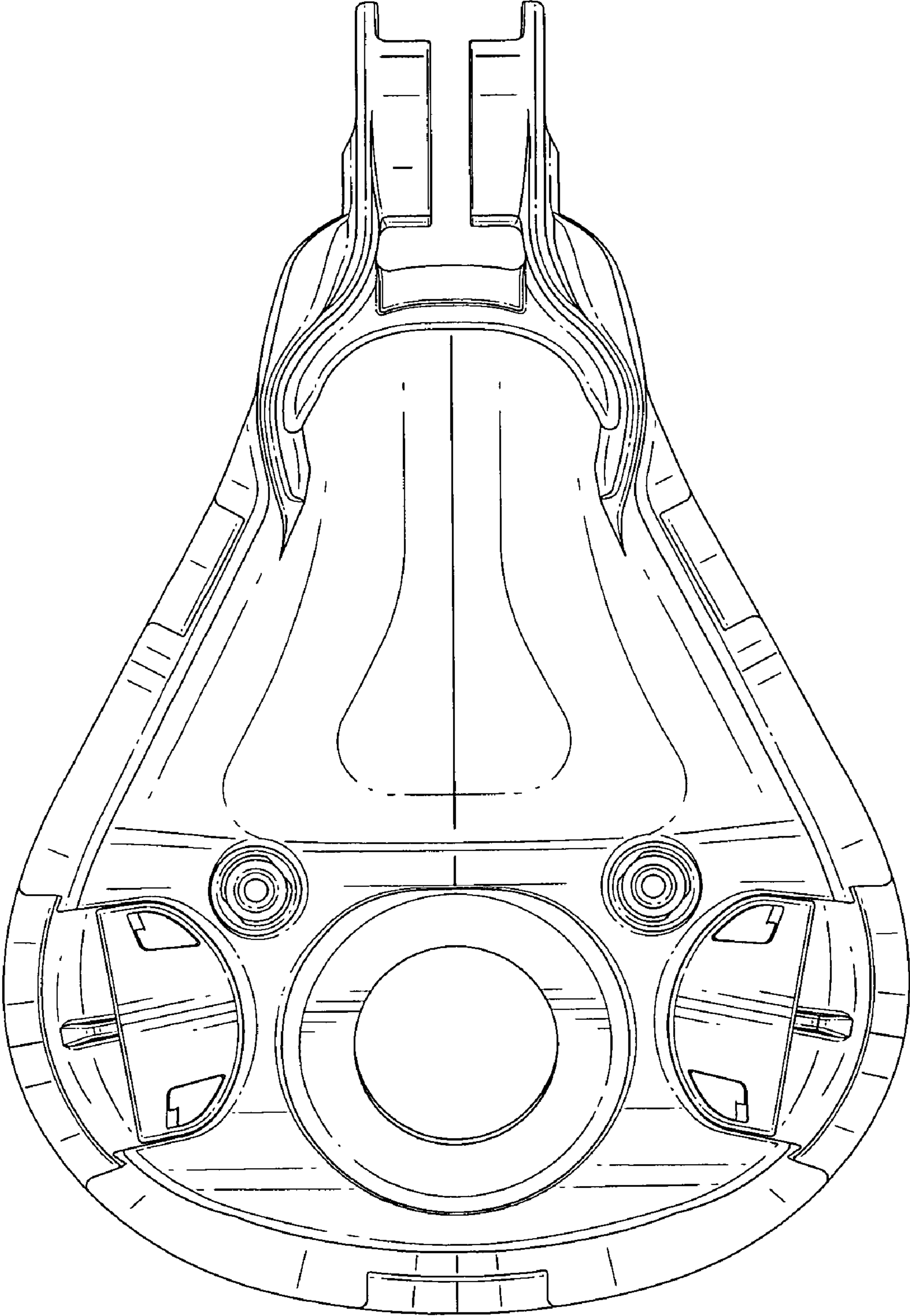


Fig. 3

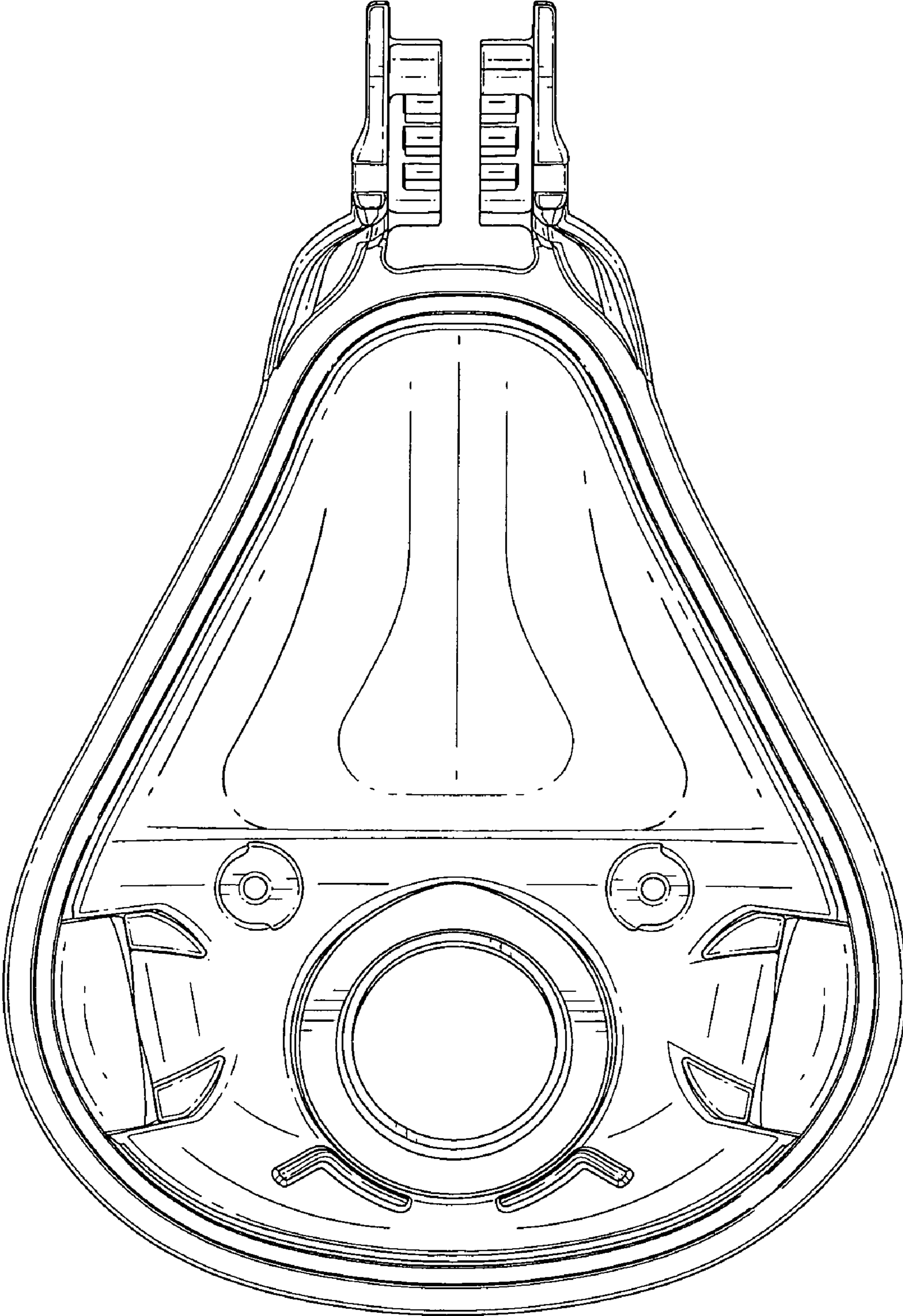


Fig. 4

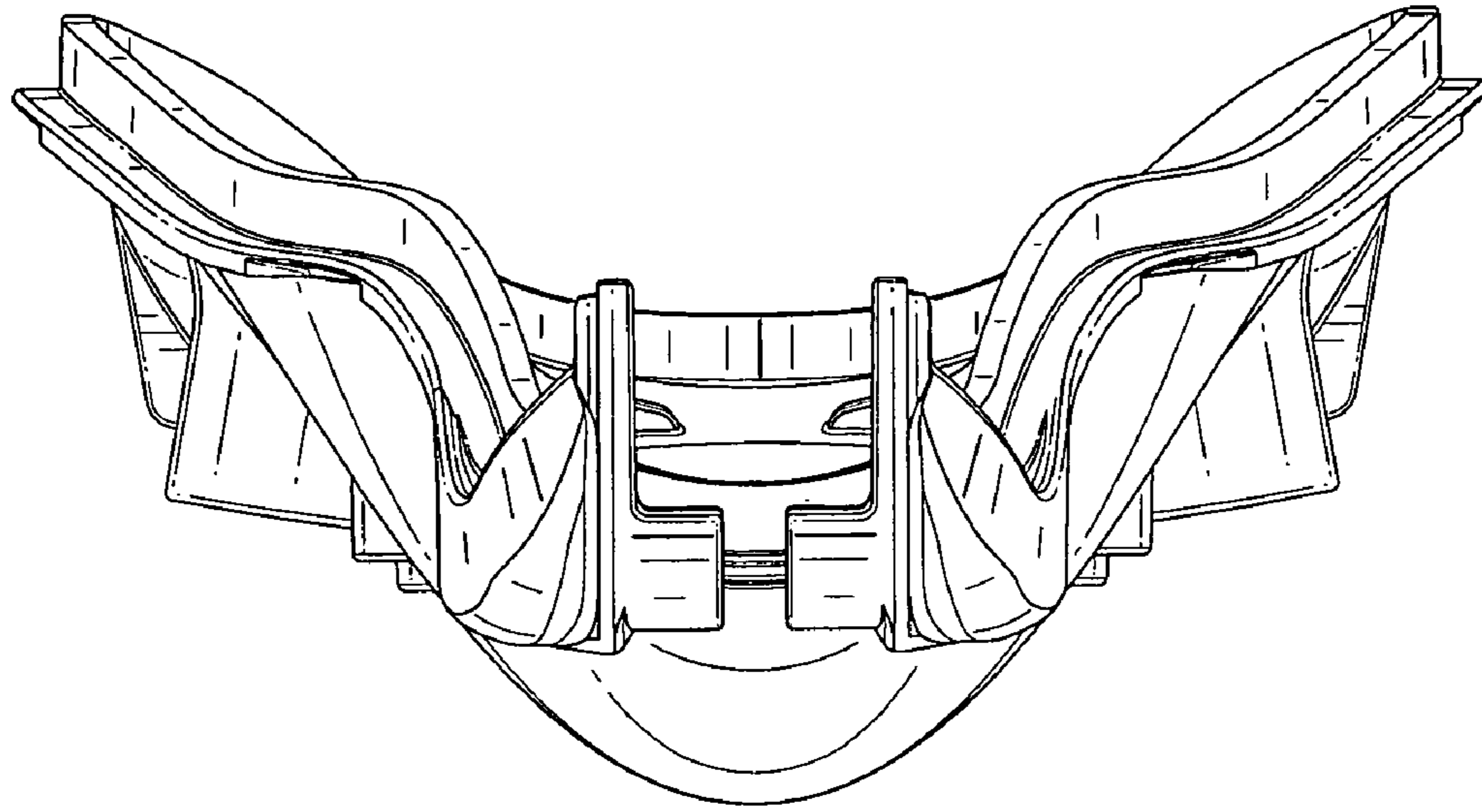


Fig. 5

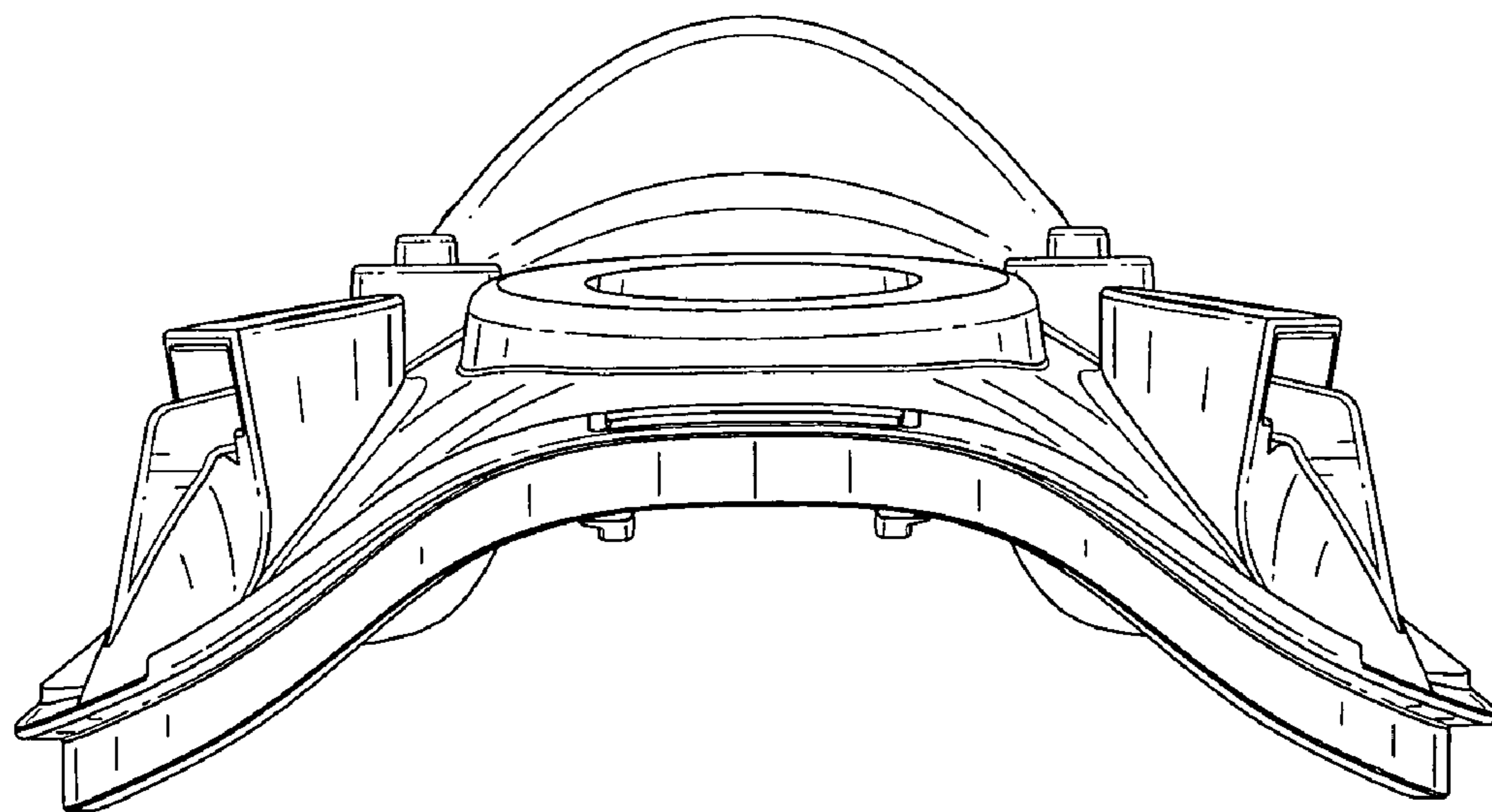


Fig. 6

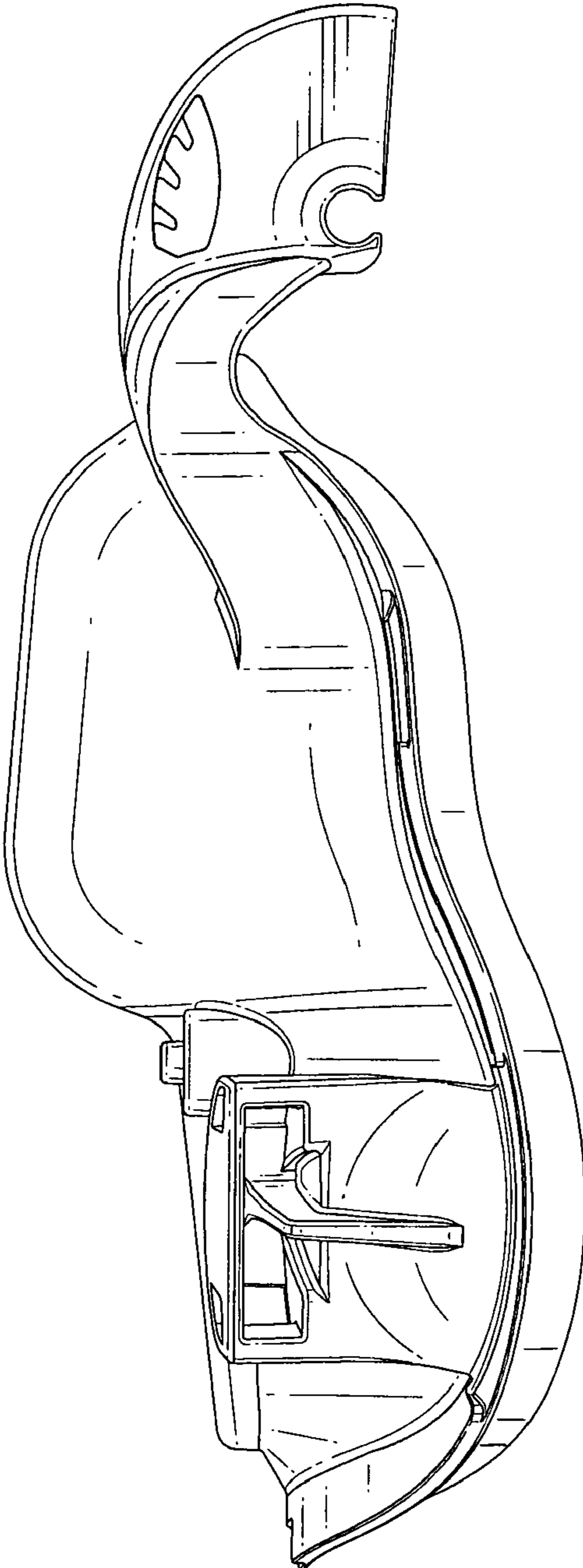


Fig. 7

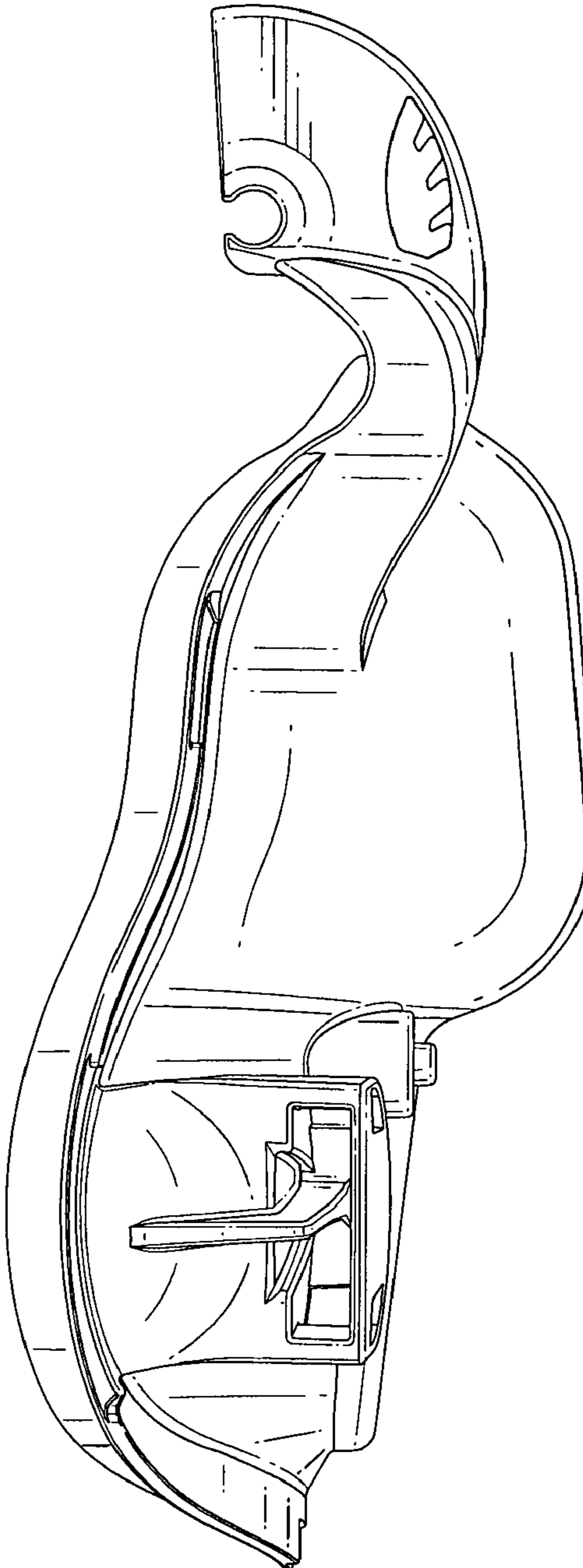


Fig. 8