



US00D645954S

(12) **United States Design Patent**
Hately

(10) **Patent No.:** **US D645,954 S**

(45) **Date of Patent:** **** Sep. 27, 2011**

(54) **MECHANICAL DOSAGE COUNTER APPARATUS**

EM 000740147-0005 6/2007

* cited by examiner

(75) Inventor: **Graham Charles Hately**, Norfolk (GB)

Primary Examiner — Antoine D Davis

(73) Assignee: **Consort Medical PLC** (GB)

(74) *Attorney, Agent, or Firm* — SAIDMAN DesignLaw Group

(**) Term: **14 Years**

(57) **CLAIM**

The ornamental design for a mechanical dosage counter apparatus, as shown and described.

(21) Appl. No.: **29/362,242**

DESCRIPTION

(22) Filed: **May 21, 2010**

(51) **LOC (9) Cl.** **24-01**

(52) **U.S. Cl.** **D24/110**

(58) **Field of Classification Search** D10/97;
D24/110, 164; 128/200.24; 222/402.24,
222/625, 402.1, 372, 386, 380; 239/337;
424/45

See application file for complete search history.

FIG. 1 is a perspective view of a mechanical dosage counter apparatus showing my new design;
FIG. 2 is a front view thereof;
FIG. 3 is a rear view thereof;
FIG. 4 is a left side view thereof, the right side view being a mirror image;
FIG. 5 is a top view thereof;
FIG. 6 is a bottom view thereof;
FIG. 7 is a perspective view thereof shown with the cap removed;
FIG. 8 is a front view thereof;
FIG. 9 is a rear view thereof;
FIG. 10 is a left side view thereof, the right side view being a mirror image;
FIG. 11 is a top view thereof; and,
FIG. 12 is a bottom view thereof.

The broken lines are for the purpose of illustrating portions of the mechanical dosage counter apparatus and form no part of the claimed design.

(56) **References Cited**

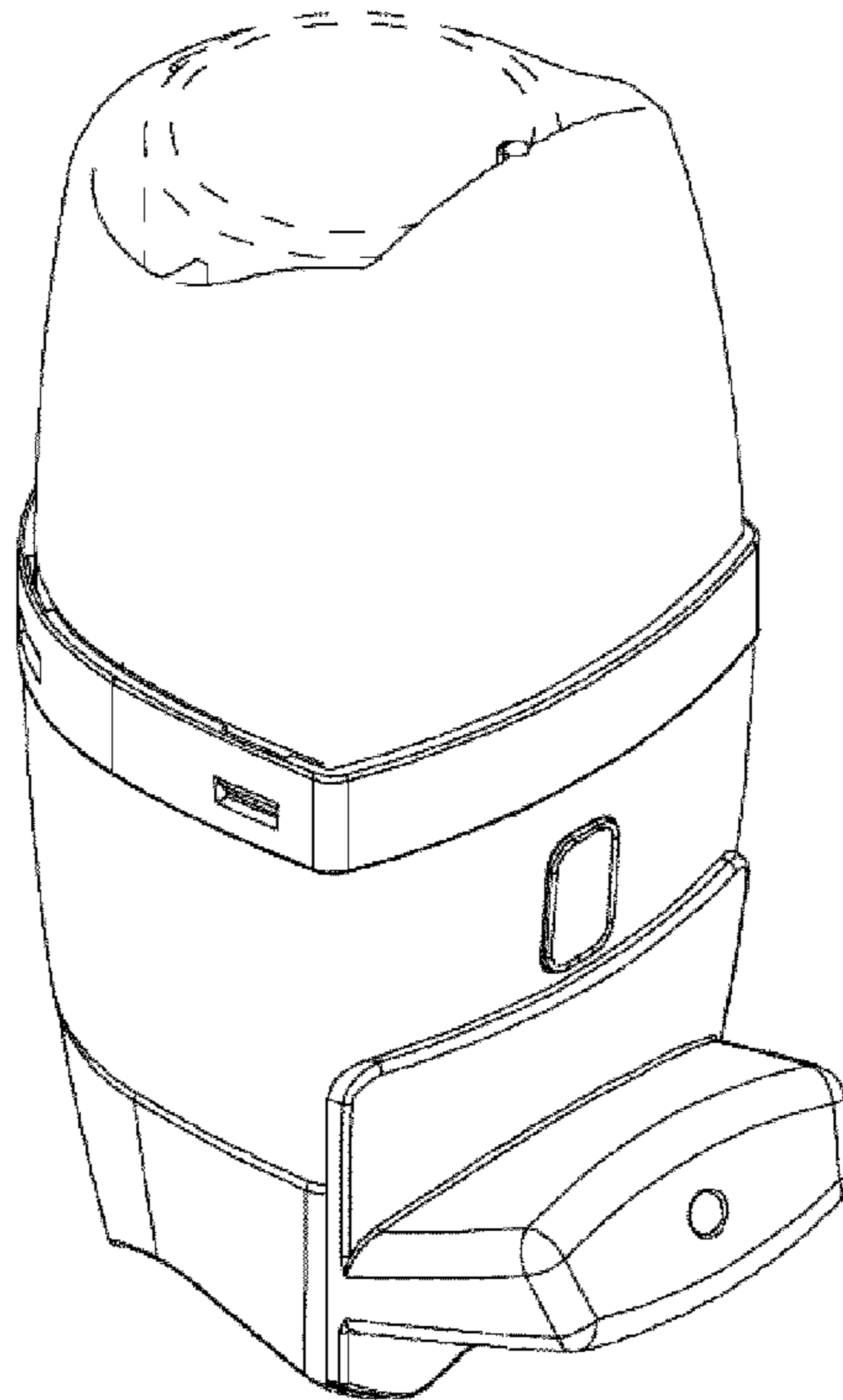
U.S. PATENT DOCUMENTS

D461,239 S * 8/2002 Cassidy D24/110
D571,001 S 6/2008 Warby et al.
7,793,798 B2 * 9/2010 Stradella et al. 222/38
D629,504 S * 12/2010 Zuyderhoudt D24/110
2009/0214657 A1 * 8/2009 Qazi et al. 424/489

FOREIGN PATENT DOCUMENTS

EM 00623764-0001 11/2006
EM 00623764-0002 11/2006
EM 00623764-0003 11/2006

1 Claim, 10 Drawing Sheets



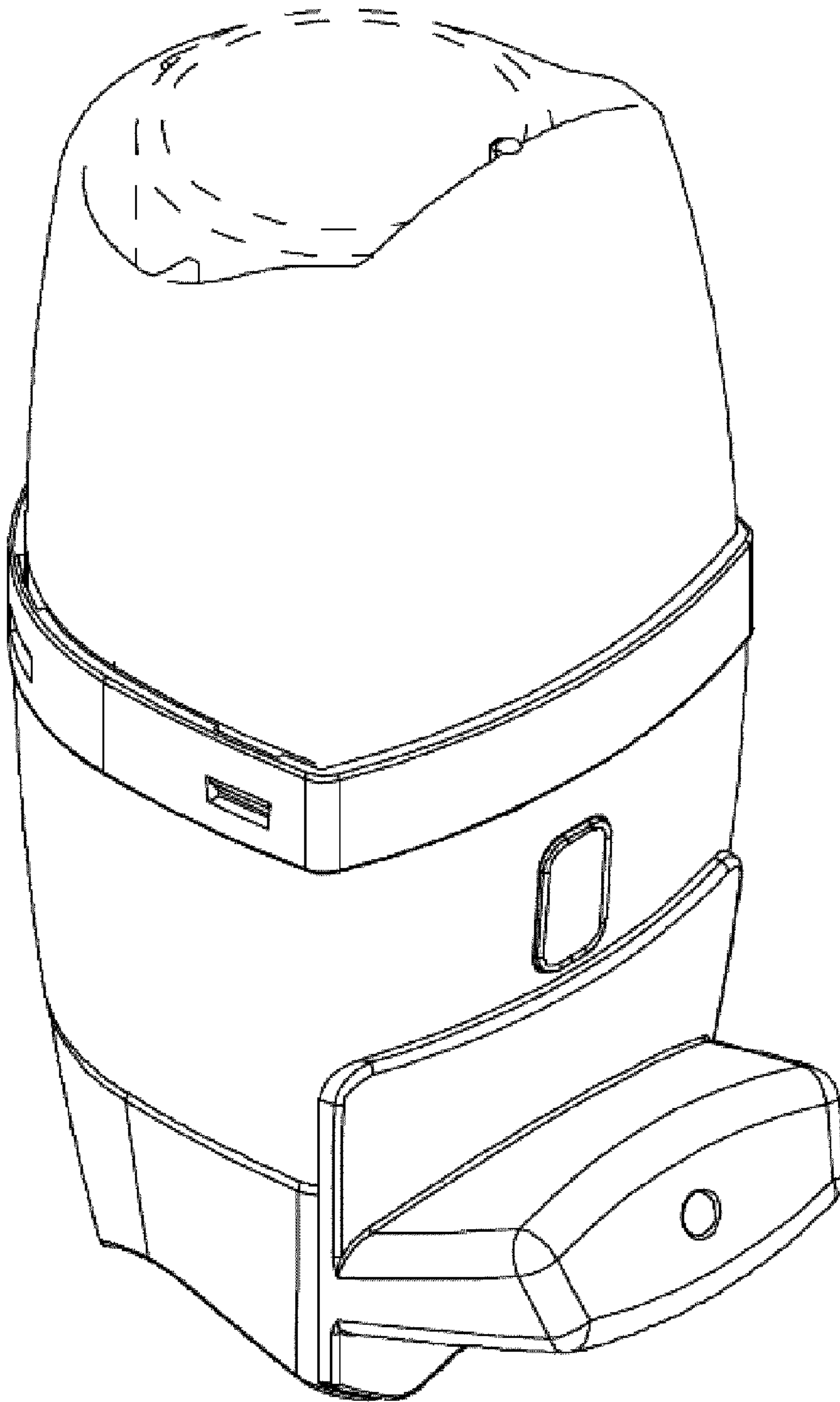


FIG. 1

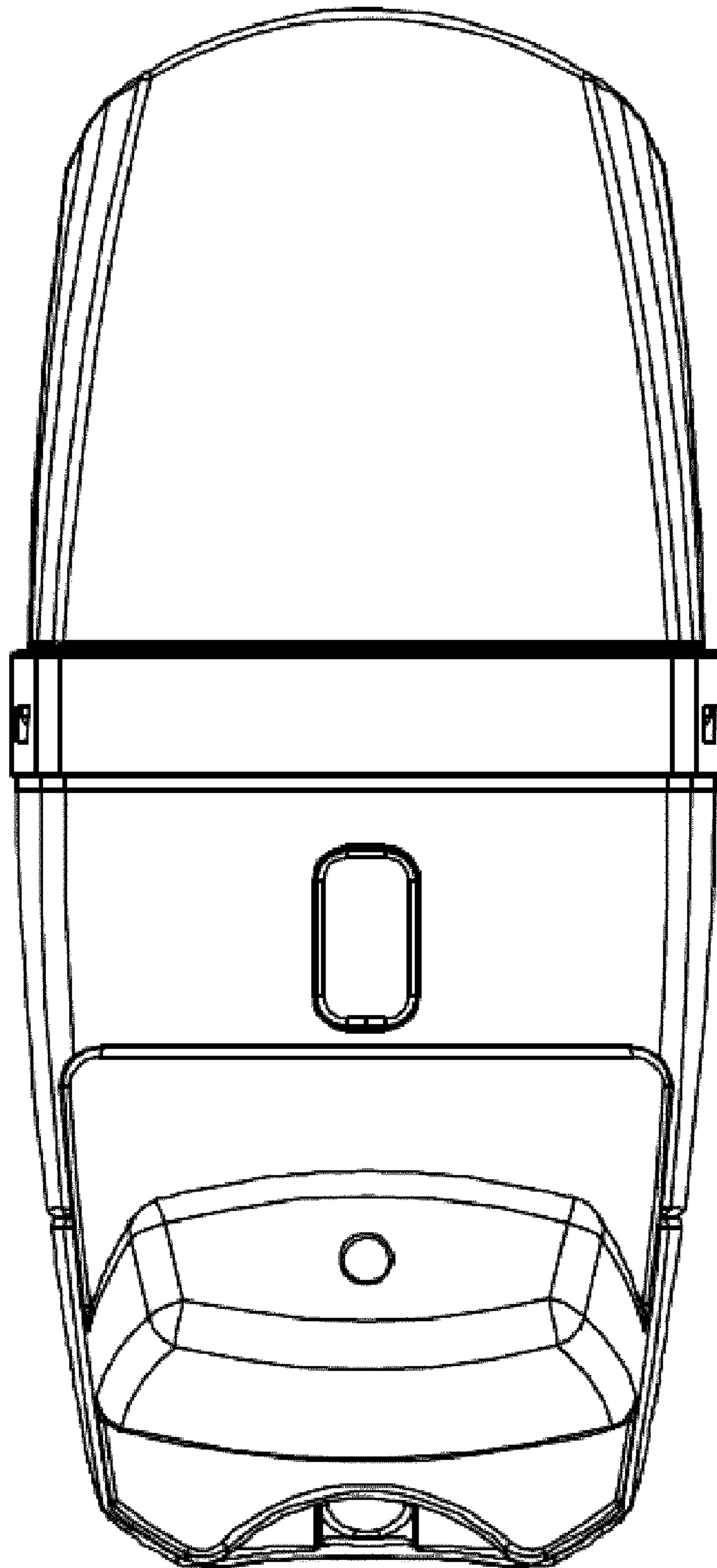


FIG. 2

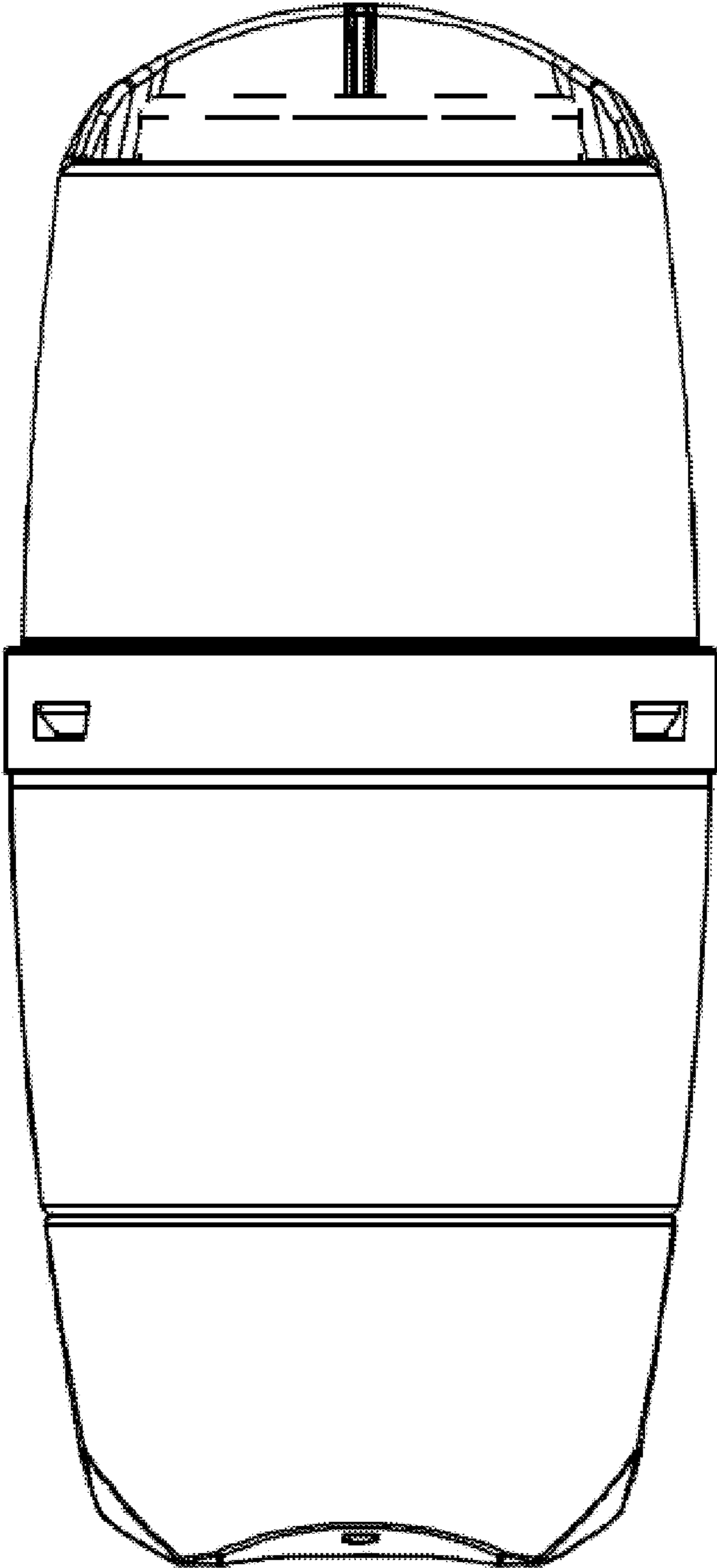


FIG. 3

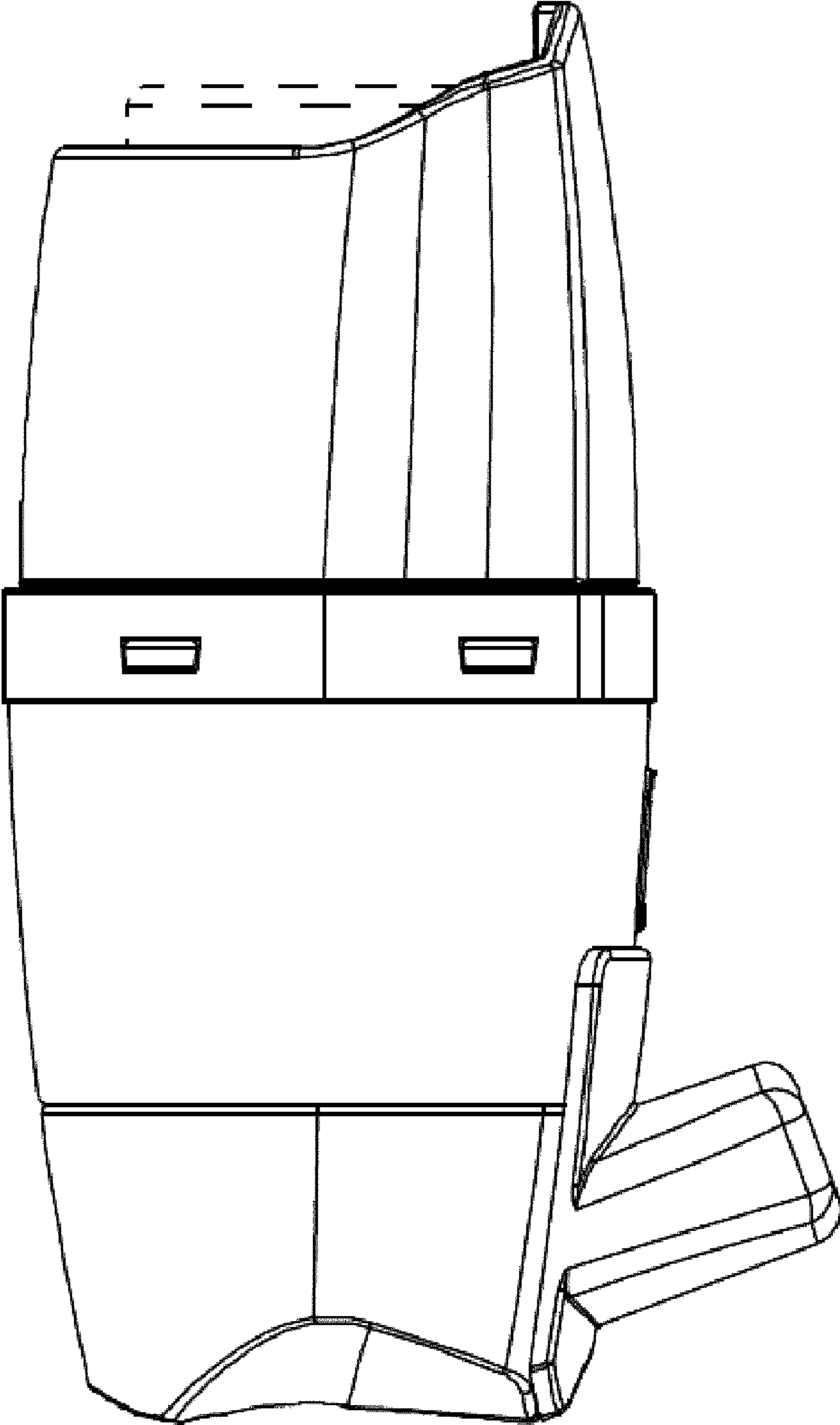


FIG. 4

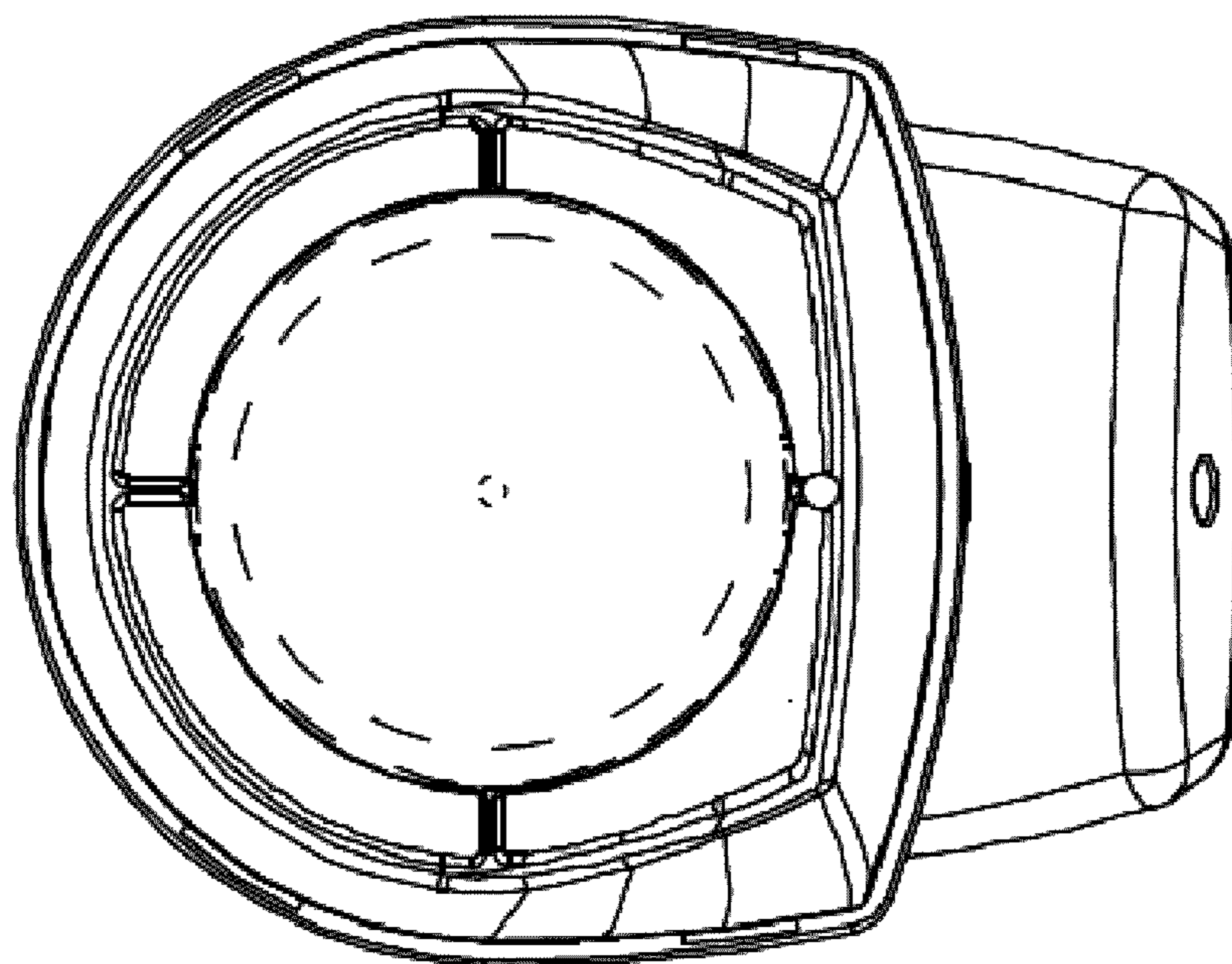


FIG. 5

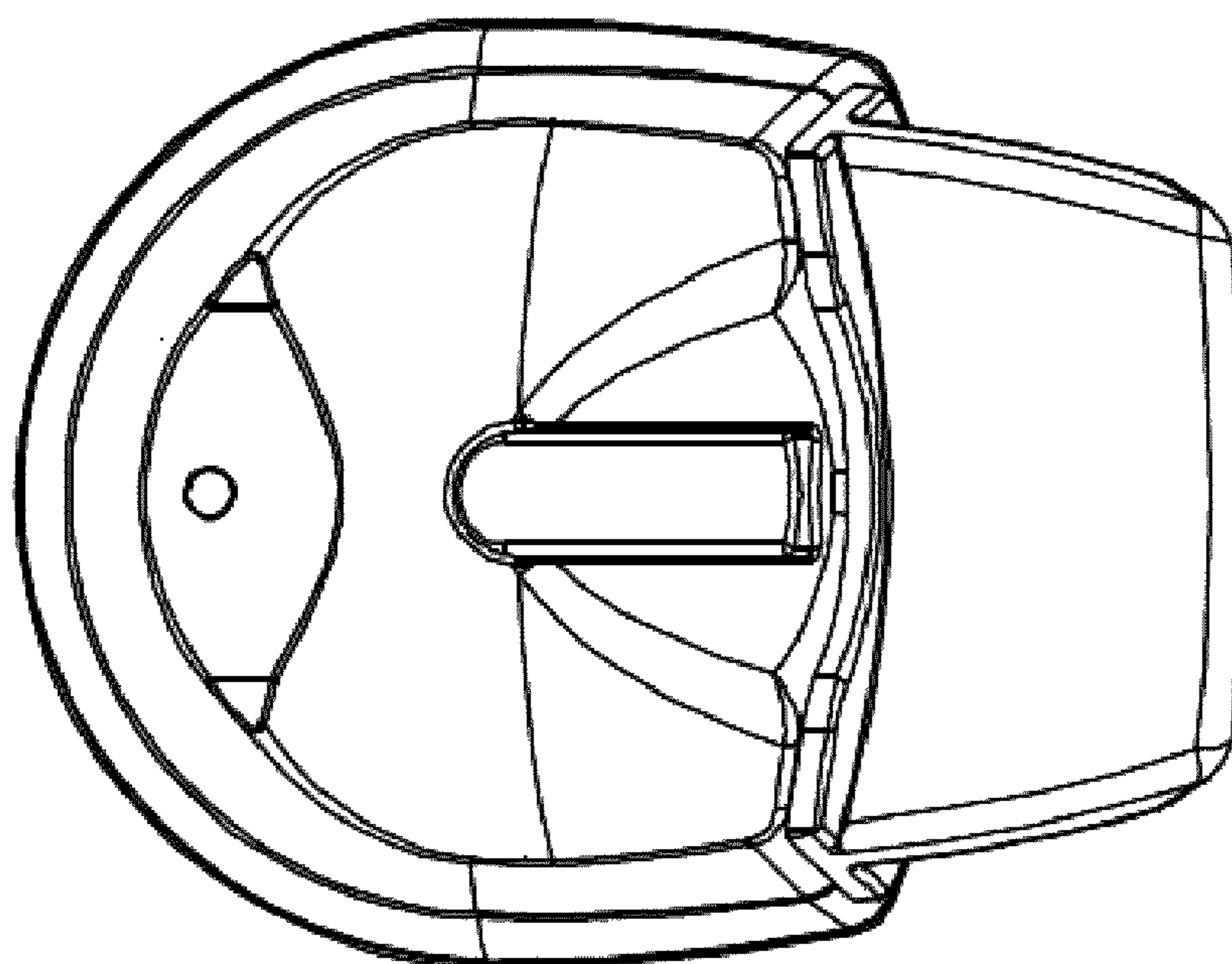


FIG. 6

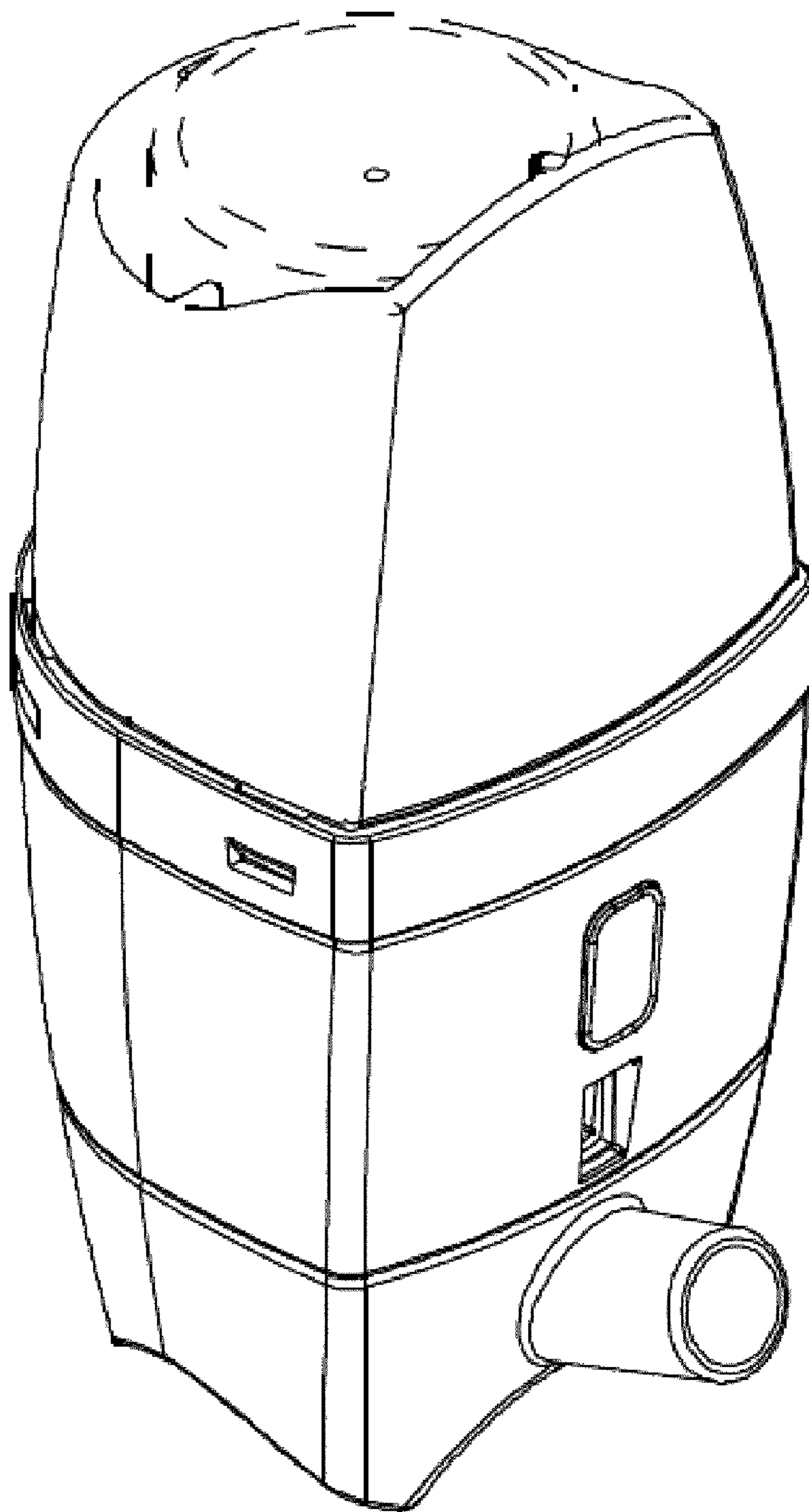


FIG. 7

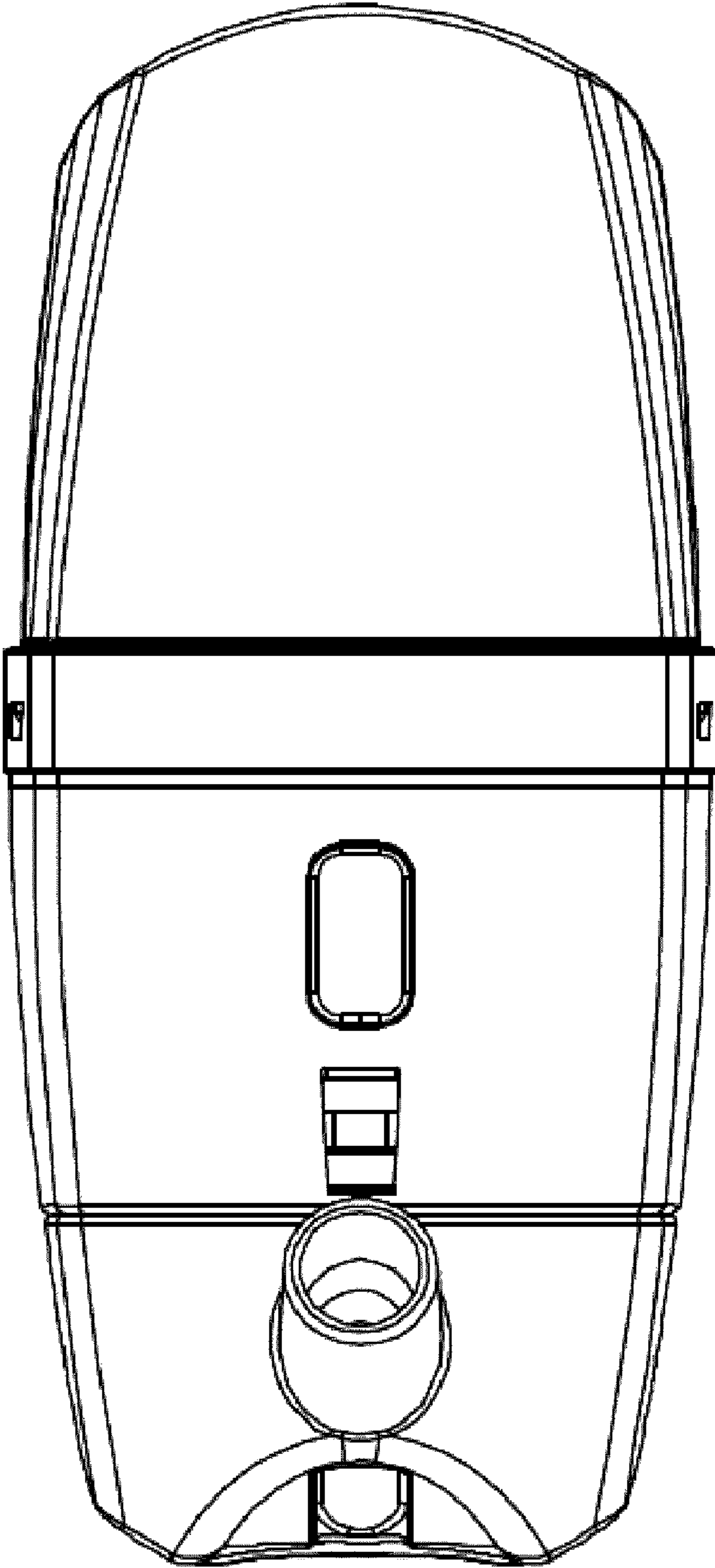


FIG. 8

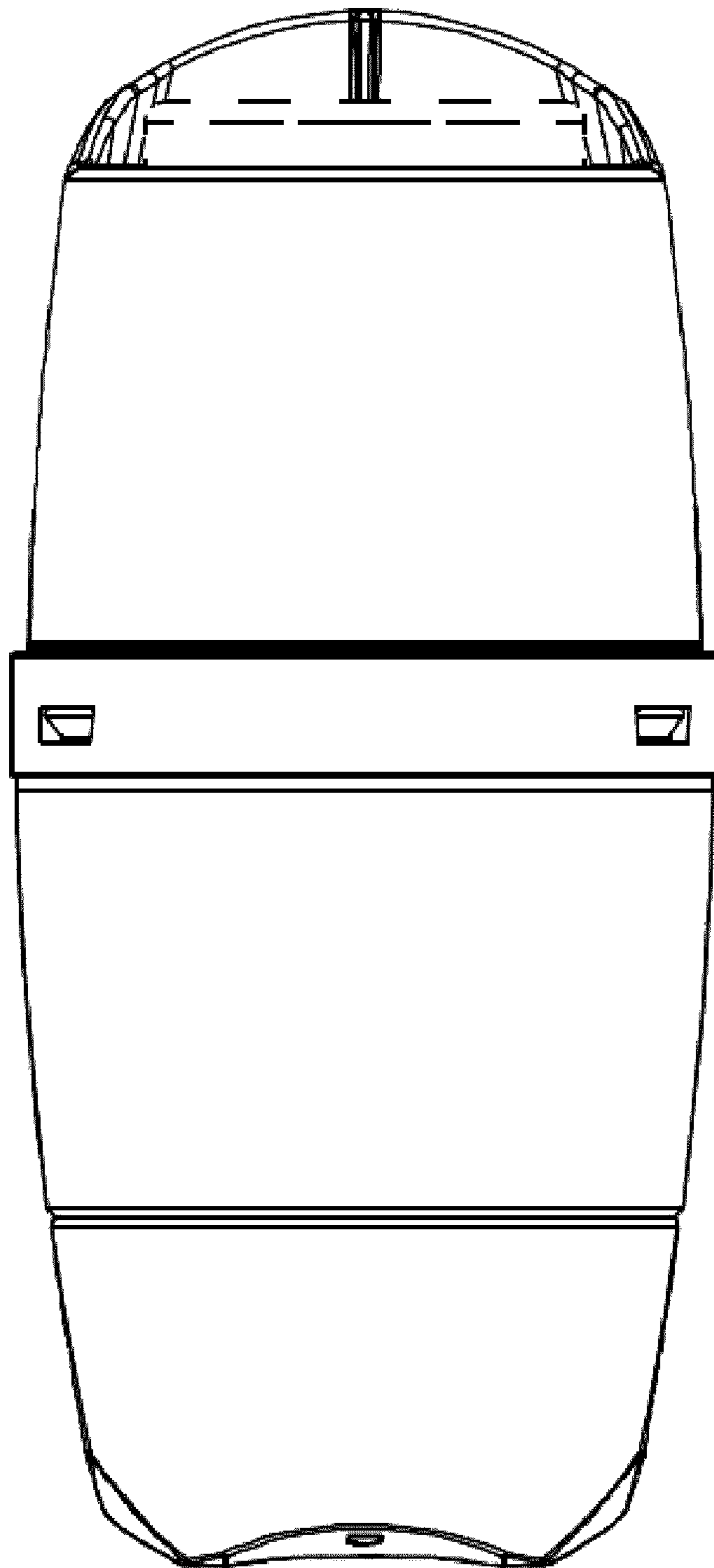


FIG. 9

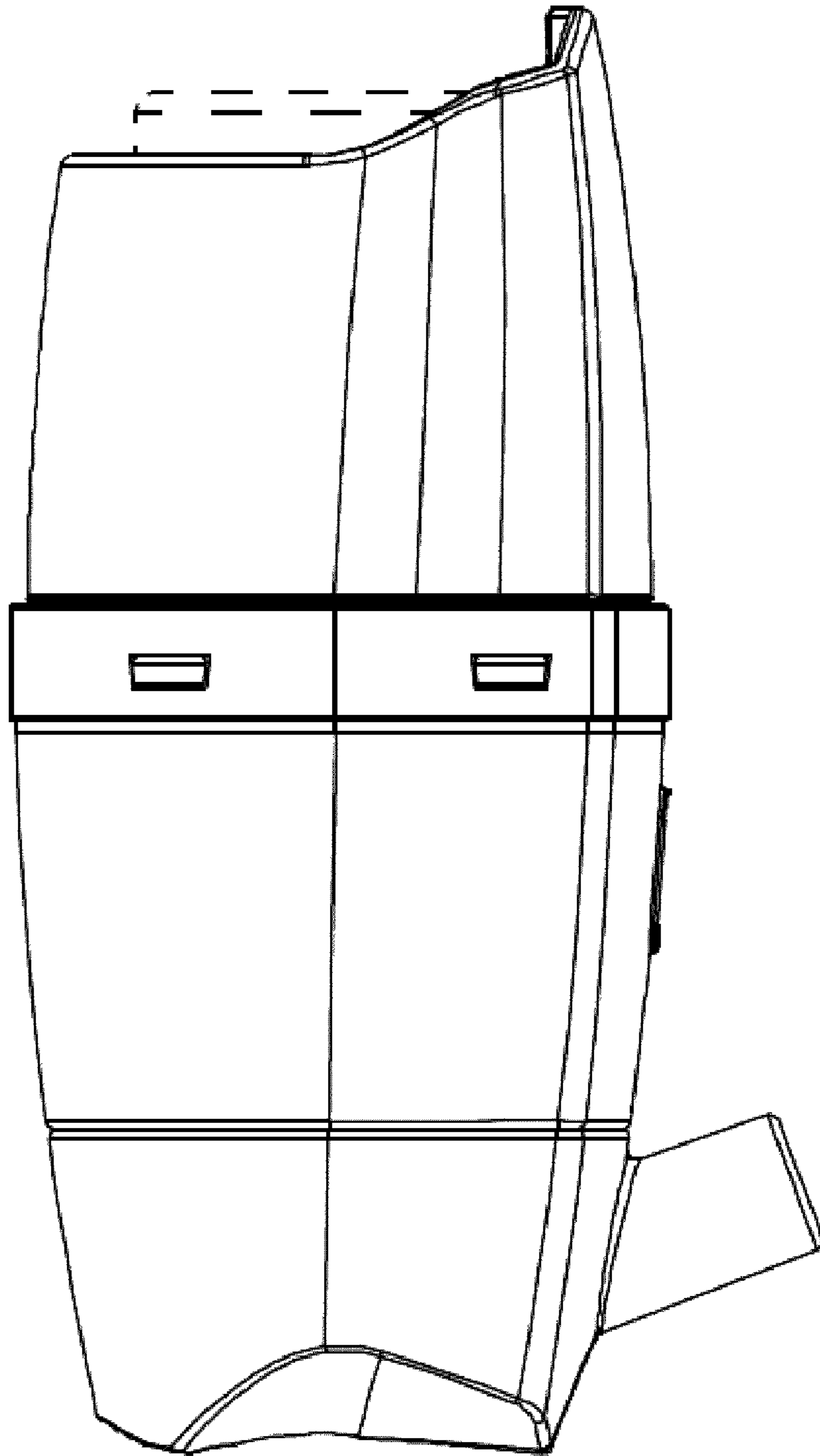


FIG. 10

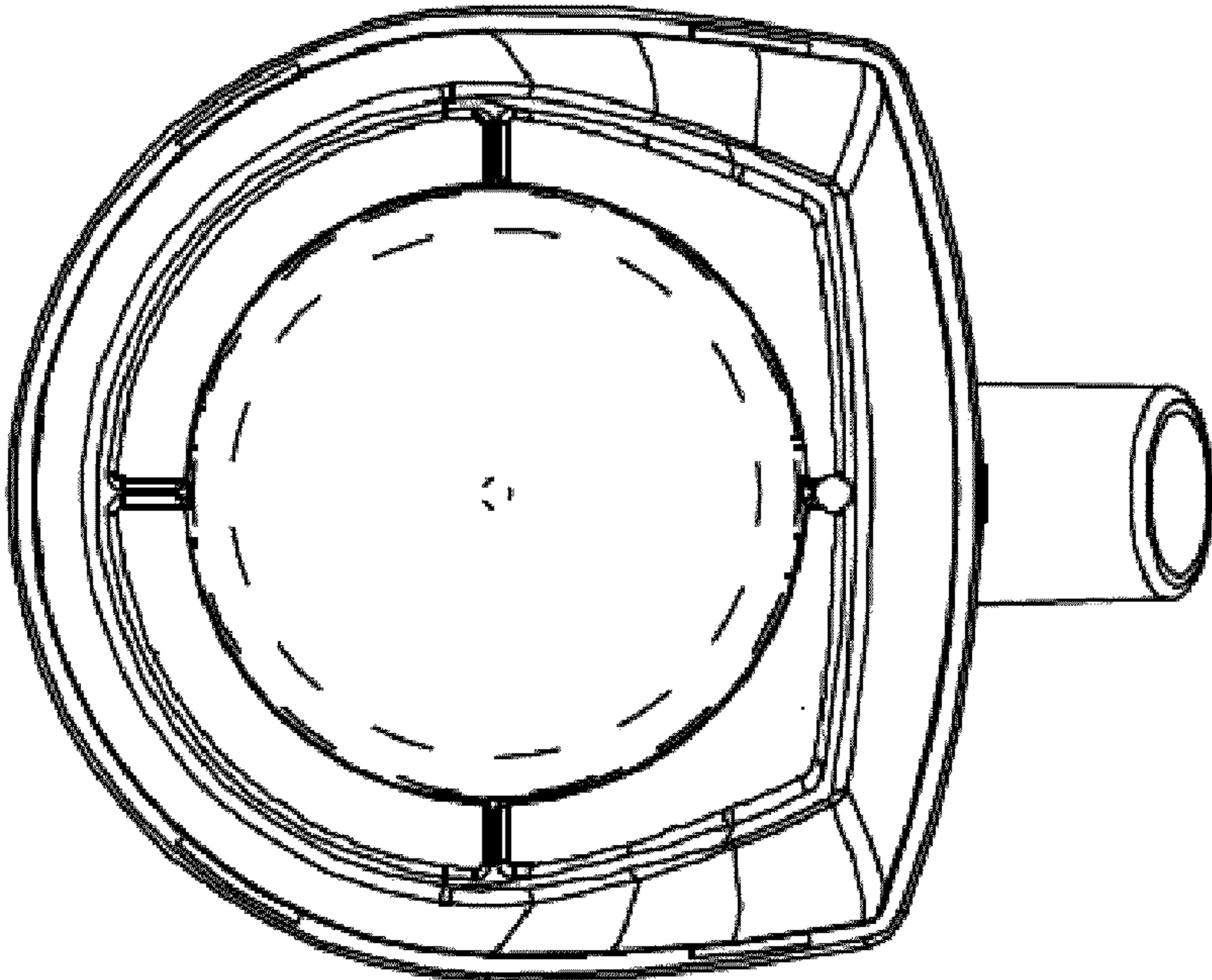


FIG. 11

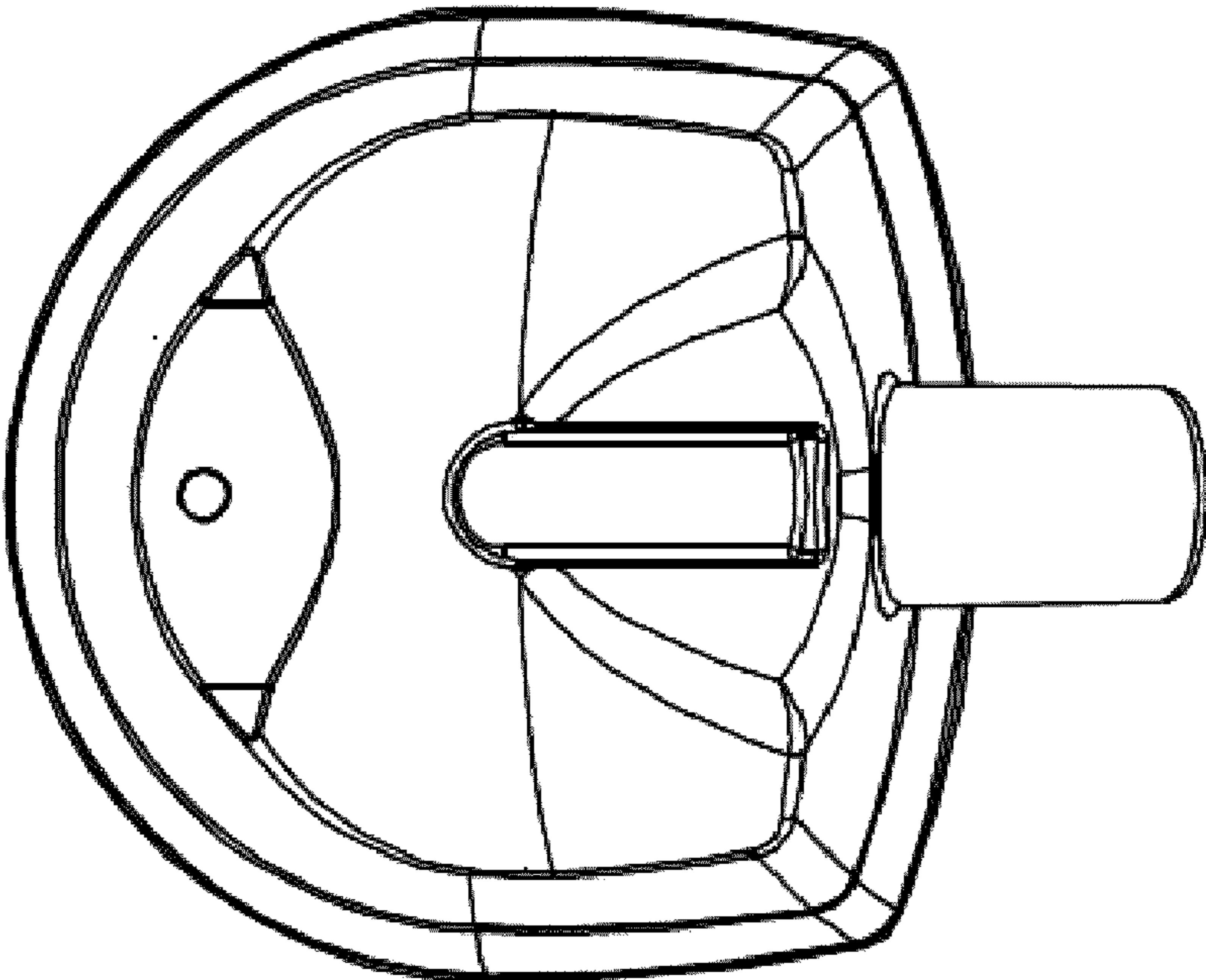


FIG. 12