



US00D645952S

(12) **United States Design Patent**
Peterson et al.

(10) **Patent No.:** **US D645,952 S**
(45) **Date of Patent:** **** Sep. 27, 2011**

- (54) **FAN GRILLE**
- (75) Inventors: **Christopher Donald Peterson**,
Arlington Heights, IL (US); **Henry Haiying Wu**,
Chicago, IL (US)
- (73) Assignee: **Camair LLC**, Chicago, IL (US)
- (**) Term: **14 Years**
- (21) Appl. No.: **29/364,467**
- (22) Filed: **Jun. 24, 2010**

Related U.S. Application Data

- (62) Division of application No. 29/340,850, filed on Jul. 27, 2009, now Pat. No. Des. 621,025.
 - (51) **LOC (9) Cl.** **23-04**
 - (52) **U.S. Cl.** **D23/411**
 - (58) **Field of Classification Search** D23/411,
D23/370, 381, 382, 332, 412, 335; 416/244 R,
416/247 R
- See application file for complete search history.

References Cited

U.S. PATENT DOCUMENTS

4,927,324 A	5/1990	Coup et al.
D312,124 S	11/1990	Coup et al.
D325,629 S	4/1992	Coup et al.
D326,318 S	5/1992	Coup et al.
D329,089 S	9/1992	Coup et al.
RE34,551 E	2/1994	Coup et al.
D346,019 S	4/1994	Cheslock et al.
D376,005 S	11/1996	Litvin
5,609,473 A	3/1997	Litvin
D391,631 S	3/1998	Litvin
D392,735 S	3/1998	Gonzales et al.
D397,201 S	8/1998	Ediger et al.
D398,983 S	9/1998	Keller et al.
D400,242 S	10/1998	Litvin
5,829,956 A	11/1998	Chen et al.

D402,363 S	12/1998	Birdsell et al.
D407,478 S	3/1999	Wilson, Jr.
D408,907 S	4/1999	Moreno
D409,298 S	5/1999	Litvin
D409,300 S	5/1999	Moreno
D413,664 S	9/1999	Keller et al.
D413,685 S	9/1999	Lasko et al.
D416,996 S	11/1999	Mack
6,015,265 A	1/2000	Lasko et al.
D421,114 S	2/2000	Lozzio et al.
D429,326 S	8/2000	Fok
6,120,248 A	9/2000	Litvin et al.
6,126,415 A	10/2000	Lasko
D441,065 S	4/2001	Ediger et al.
D444,222 S	6/2001	Wilson, Jr.
D444,871 S	7/2001	Wilson, Jr.
D451,190 S	11/2001	Chen et al.
D451,594 S	12/2001	Chen et al.
D451,595 S	12/2001	Chen et al.

(Continued)

OTHER PUBLICATIONS

U.S. Trademark Registration No. 1697509, Jun. 30, 1992, 1 page.

(Continued)

Primary Examiner — Lisa Lichtenstein

(74) *Attorney, Agent, or Firm* — Fitch, Even, Tabin & Flannery

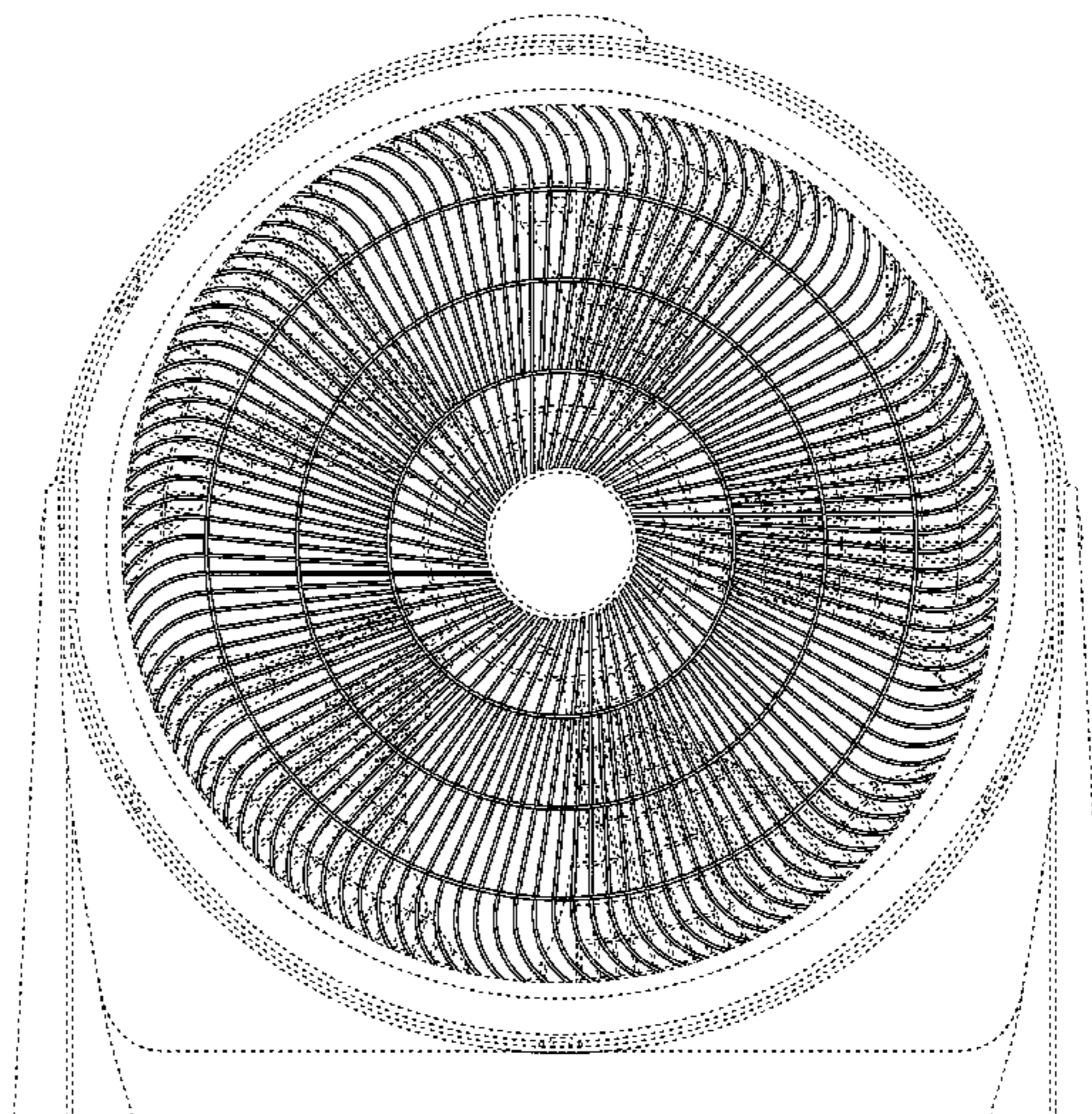
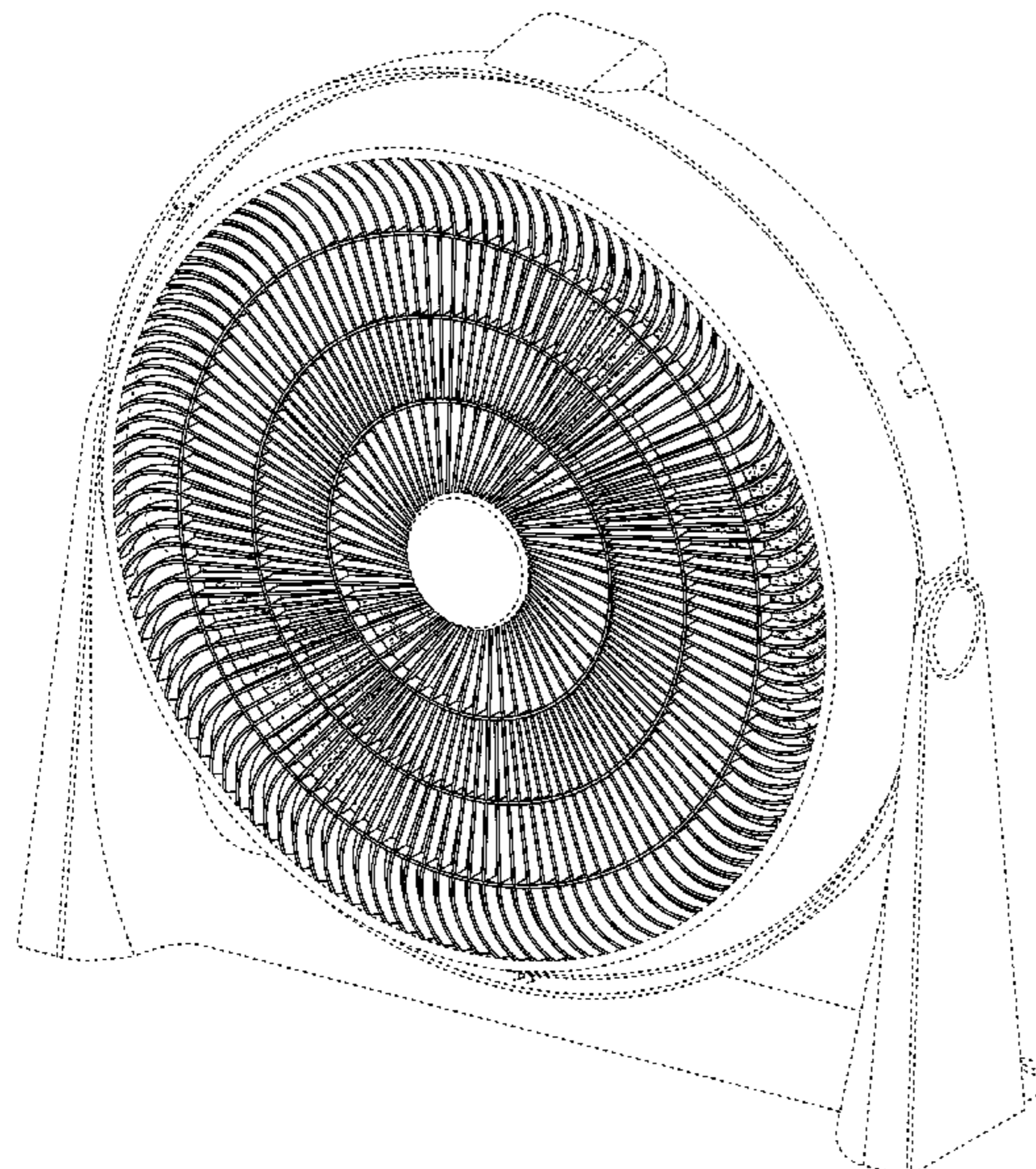
(57) **CLAIM**

The ornamental design for a fan grille, as shown and described.

DESCRIPTION

FIG. 1 is a perspective view of a fan grille in accordance with our new design; and,
FIG. 2 is a front elevational view of the fan grille of FIG. 1. The broken lines showing a fan housing and stand are included for the purpose of illustrating environmental structure and form no part of the claimed design.

1 Claim, 2 Drawing Sheets



US D645,952 S

Page 2

U.S. PATENT DOCUMENTS

6,454,537 B1 9/2002 Perella et al.
D467,326 S 12/2002 Shapiro
6,585,489 B2 7/2003 Perella et al.
D482,440 S 11/2003 Wilson, Jr.
D482,778 S 11/2003 Shapiro
D482,779 S 11/2003 Shapiro
D483,473 S 12/2003 Shapiro
D484,234 S 12/2003 Wilson, Jr.
D486,900 S 2/2004 Keller et al.
D513,437 S 1/2006 Wilhelm
D537,516 S 2/2007 Ediger et al.
D566,830 S 4/2008 Lewis
D567,934 S 4/2008 Shapiro
D582,531 S 12/2008 Israel et al.
7,530,783 B1 5/2009 Ediger

D594,102 S 6/2009 Israel et al.
D596,284 S 7/2009 Ediger et al.
D597,196 S 7/2009 Ediger et al.
D597,640 S 8/2009 Israel et al.
D597,641 S 8/2009 Israel et al.
D599,463 S 9/2009 Israel et al.
D608,437 S 1/2010 Wawoe et al.
D621,025 S * 8/2010 Peterson et al. D23/382
2003/0235501 A1 12/2003 Herndon et al.
2005/0093387 A1 5/2005 Chen et al.
2008/0089798 A1 4/2008 Litvin

OTHER PUBLICATIONS

U.S. Trademark Registration No. 2383447, Sep. 5, 2000, 1 page.

* cited by examiner

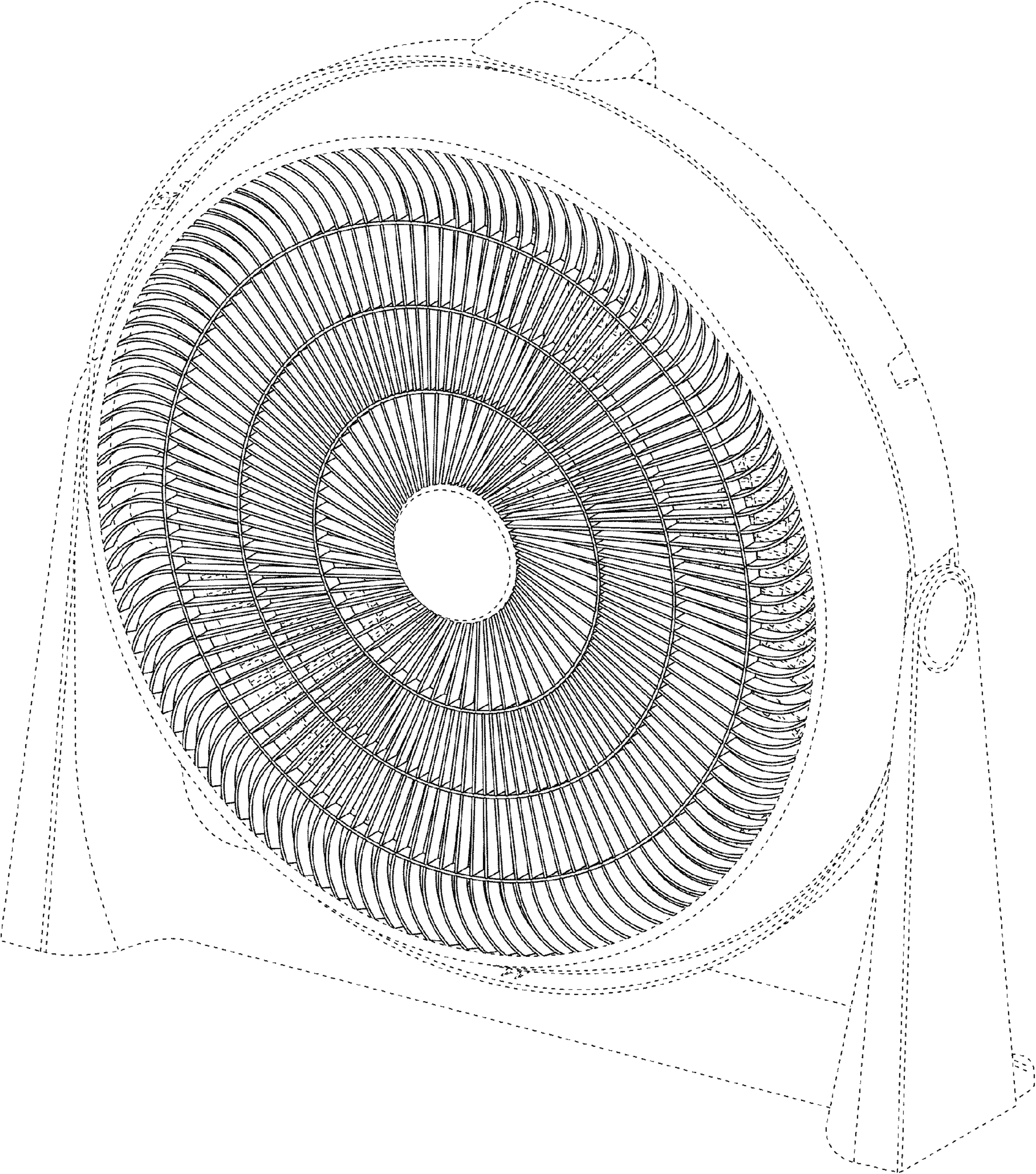


FIG. 1

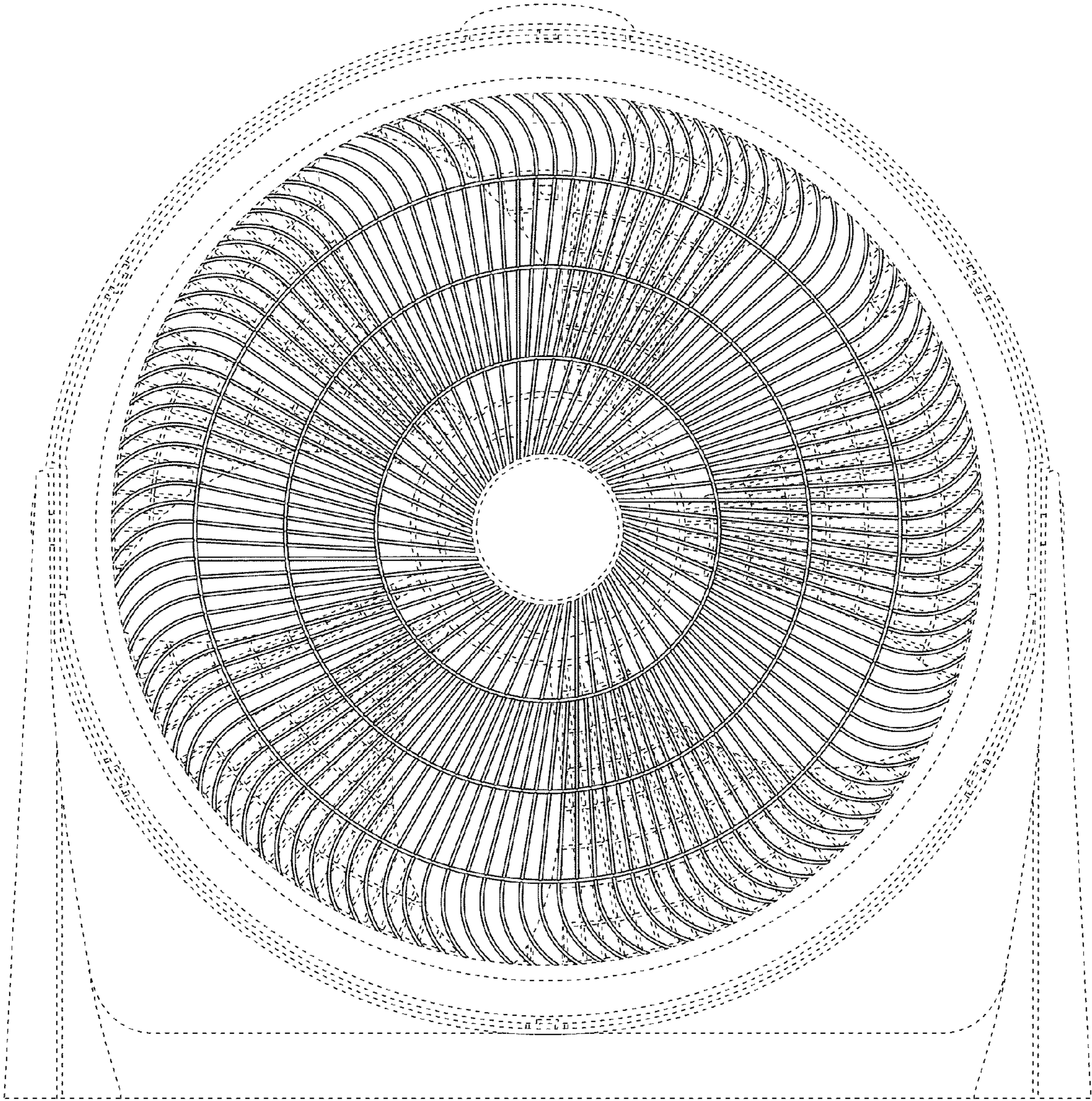


FIG. 2