



US00D645950S

(12) **United States Design Patent**  
**Kenyon et al.**

(10) **Patent No.:** **US D645,950 S**  
(45) **Date of Patent:** **\*\* Sep. 27, 2011**

(54) **IMPELLER**

(75) Inventors: **Barton John Kenyon**, Ashfield (AU);  
**Nicholas Jerome Reed**, Mount Colah  
(AU); **Ian Malcolm Smith**, Westleigh  
(AU)

(73) Assignee: **ResMed Motor Technologies Inc.**,  
Chatsworth, CA (US)

(\*\*) Term: **14 Years**

(21) Appl. No.: **29/371,228**

(22) Filed: **Dec. 6, 2010**

**Related U.S. Application Data**

(60) Division of application No. 29/309,429, filed on Aug. 15, 2008, now Pat. No. Des. 630,721, which is a division of application No. 29/274,507, filed on Apr. 27, 2007, now Pat. No. Des. 577,807, which is a continuation-in-part of application No. PCT/AU2006/001617, filed on Oct. 27, 2006.

(51) **LOC (9) Cl.** ..... **23-04**

(52) **U.S. Cl.** ..... **D23/379; D24/110**

(58) **Field of Classification Search** ..... D24/110,  
D24/164; 128/200.24, 204.18, 203.12, 204.23,  
128/204.21, 204.25, 204.17, 204.16; D23/370,  
D23/379, 411; 417/423.7, 427.12, 423.14,  
417/423.1, 360; 416/3, 10, 185, 188, 223 B;  
415/10

See application file for complete search history.

(56) **References Cited**

**U.S. PATENT DOCUMENTS**

2,465,671 A 3/1949 Van Millingen et al.  
3,159,106 A 12/1964 Schumbacker et al.  
4,767,285 A 8/1988 Jyoraku et al.  
D314,844 S 2/1991 Beharad  
D355,253 S 2/1995 Jansen et al.  
5,875,783 A 3/1999 Kullik  
5,893,705 A 4/1999 Khan et al.

D427,675 S 7/2000 Hansel  
6,095,776 A 8/2000 Maki  
6,210,116 B1 4/2001 Kuczaj et al.  
6,220,819 B1 4/2001 Chien et al.  
D443,281 S 6/2001 Sodergard  
6,296,459 B1 10/2001 Saputo et al.  
6,357,463 B1 3/2002 Wickham et al.  
6,371,738 B2 4/2002 Jones  
6,418,927 B1 7/2002 Kullik  
D468,011 S 12/2002 Lithgow et al.  
6,622,724 B1 9/2003 Truitt  
D497,203 S 10/2004 Lithgow et al.  
6,881,033 B2 4/2005 Makinson  
7,012,346 B2 3/2006 Hoffman et al.

(Continued)

**FOREIGN PATENT DOCUMENTS**

DE 10035404 2/2002

(Continued)

**OTHER PUBLICATIONS**

U.S. Appl. No. 29/274,505, filed Apr. 27, 2007.

(Continued)

*Primary Examiner* — Lisa Lichtenstein

(74) *Attorney, Agent, or Firm* — Nixon & Vanderhye P.C.

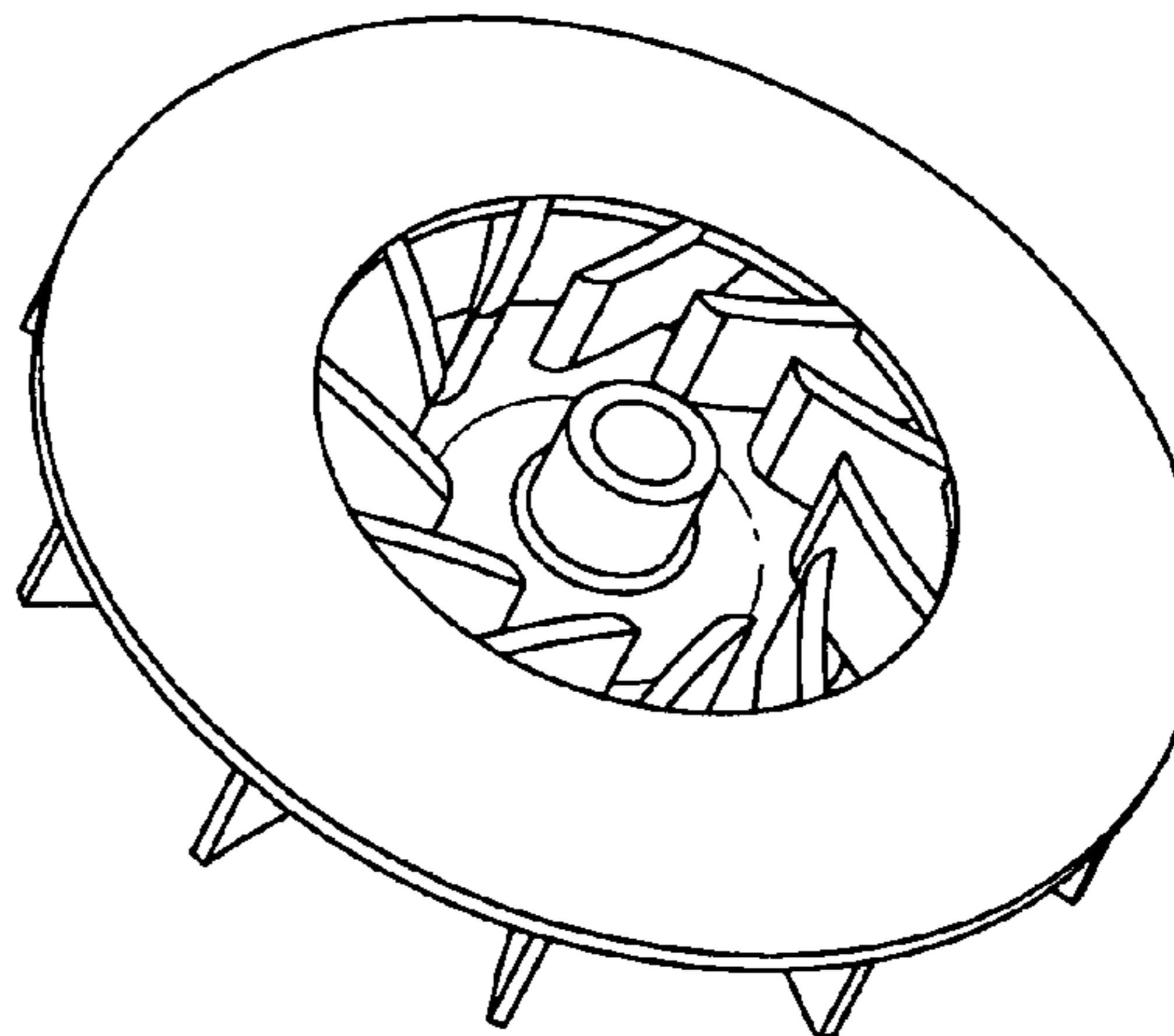
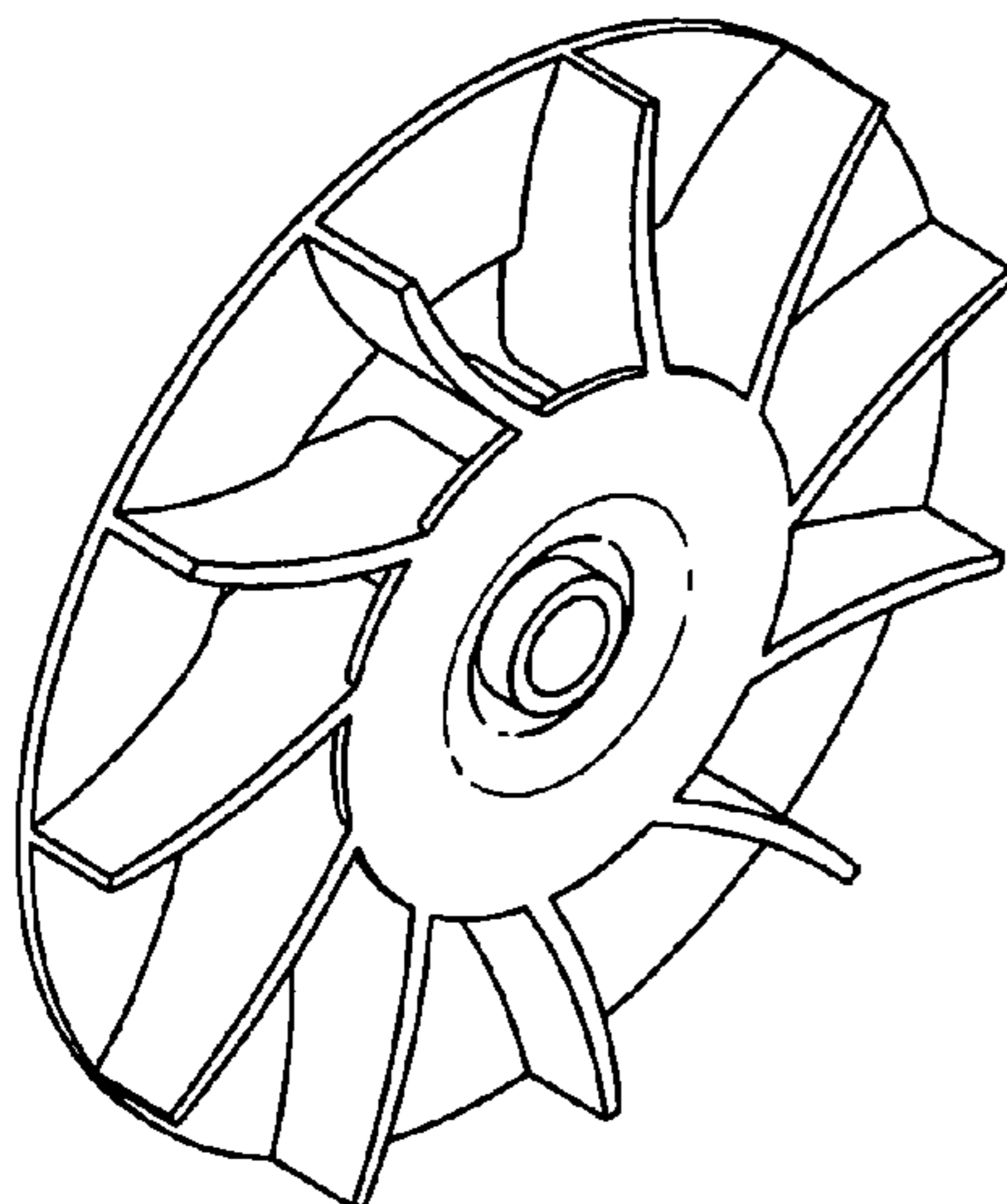
(57) **CLAIM**

The ornamental design for an impeller, as shown.

**DESCRIPTION**

FIG. 1 is a perspective view of an impeller according to a first embodiment of our design;  
FIG. 2 is another perspective view thereof;  
FIG. 3 is a side view thereof;  
FIG. 4 is a top view thereof;  
FIG. 5 is a bottom view thereof;  
FIG. 6 is a perspective view of an impeller according to a second embodiment of our design;  
FIG. 7 is another perspective view thereof; and,  
FIG. 8 is a cross-sectional view along line 8-8 of FIG. 7.

**1 Claim, 3 Drawing Sheets**



# US D645,950 S

Page 2

## U.S. PATENT DOCUMENTS

7,165,938 B2 1/2007 Lee et al.  
7,210,226 B2 5/2007 Makinson et al.  
D544,598 S 6/2007 Lithgow et al.  
D560,795 S 1/2008 Lithgow et al.  
D577,807 S 9/2008 Kenyon et al.  
D616,468 S \* 5/2010 Bossom ..... D15/7  
D630,721 S \* 1/2011 Kenyon et al. .... D23/379  
2001/0014290 A1 8/2001 Takura et al.  
2003/0168064 A1 9/2003 Daly et al.  
2003/0190242 A1 10/2003 Anderson  
2004/0071552 A1 4/2004 Truitt et al.  
2004/0136848 A1 7/2004 Marioni  
2005/0036887 A1 2/2005 Nadjafizadeh  
2005/0247314 A1 11/2005 Virr et al.  
2006/0138878 A1 6/2006 Hoffman et al.  
2007/0125386 A1 6/2007 Quinn  
2007/0134085 A1 6/2007 Daly et al.

## FOREIGN PATENT DOCUMENTS

EP 0295455 12/1988  
WO WO 2004/108198 12/2004  
WO WO 2004/112873 12/2004  
WO WO 2007/048205 5/2007

## OTHER PUBLICATIONS

U.S. Appl. No. 29/274,506, filed Apr. 27, 2007.  
U.S. Appl. No. 29/274,504, filed Apr. 27, 2007.  
International Search Report, Appln. No. PCT/AU2006/001617, Jan.  
5, 2007.  
U.S. Appl. No. 29/106,701.

\* cited by examiner

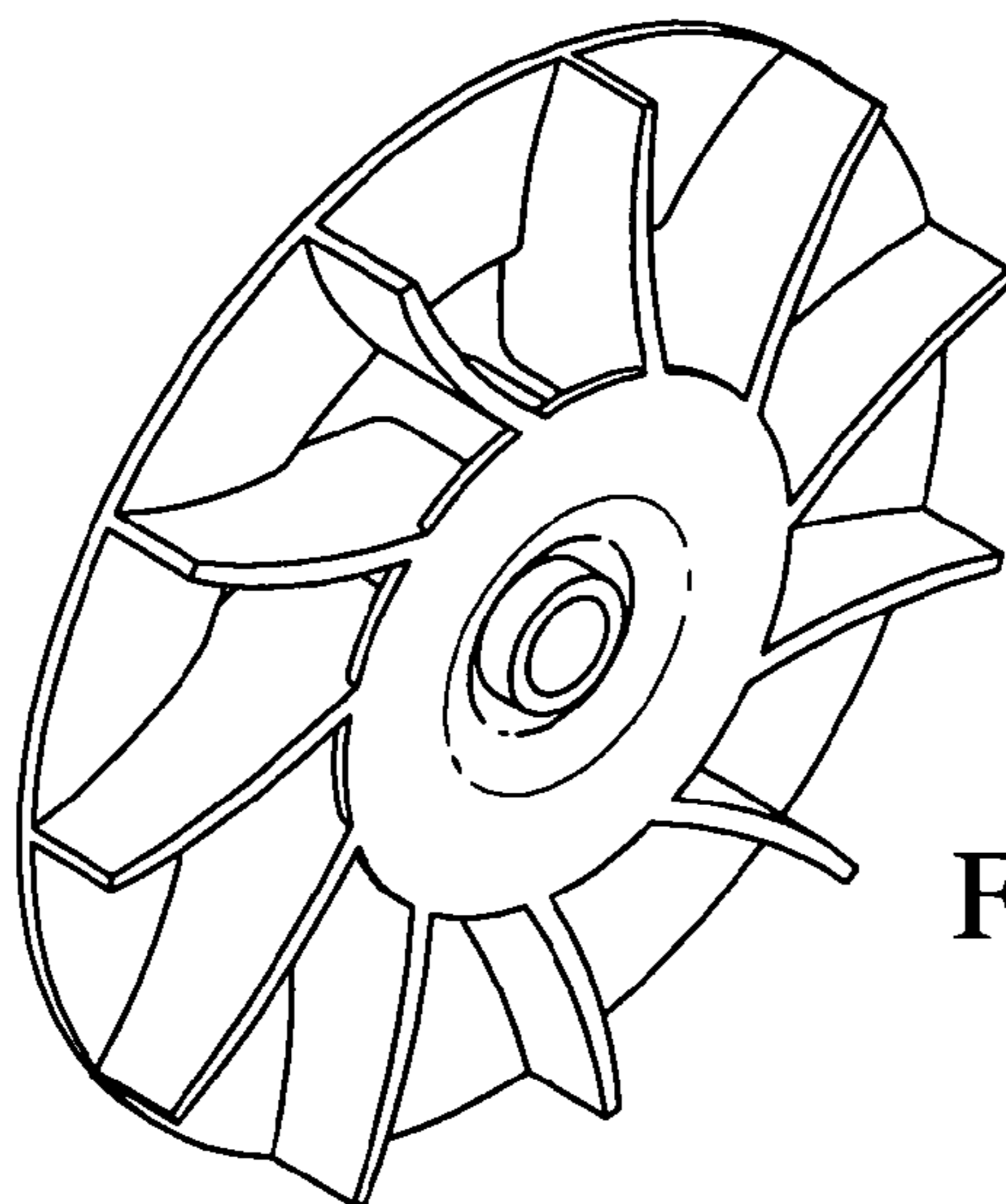


FIG. 1

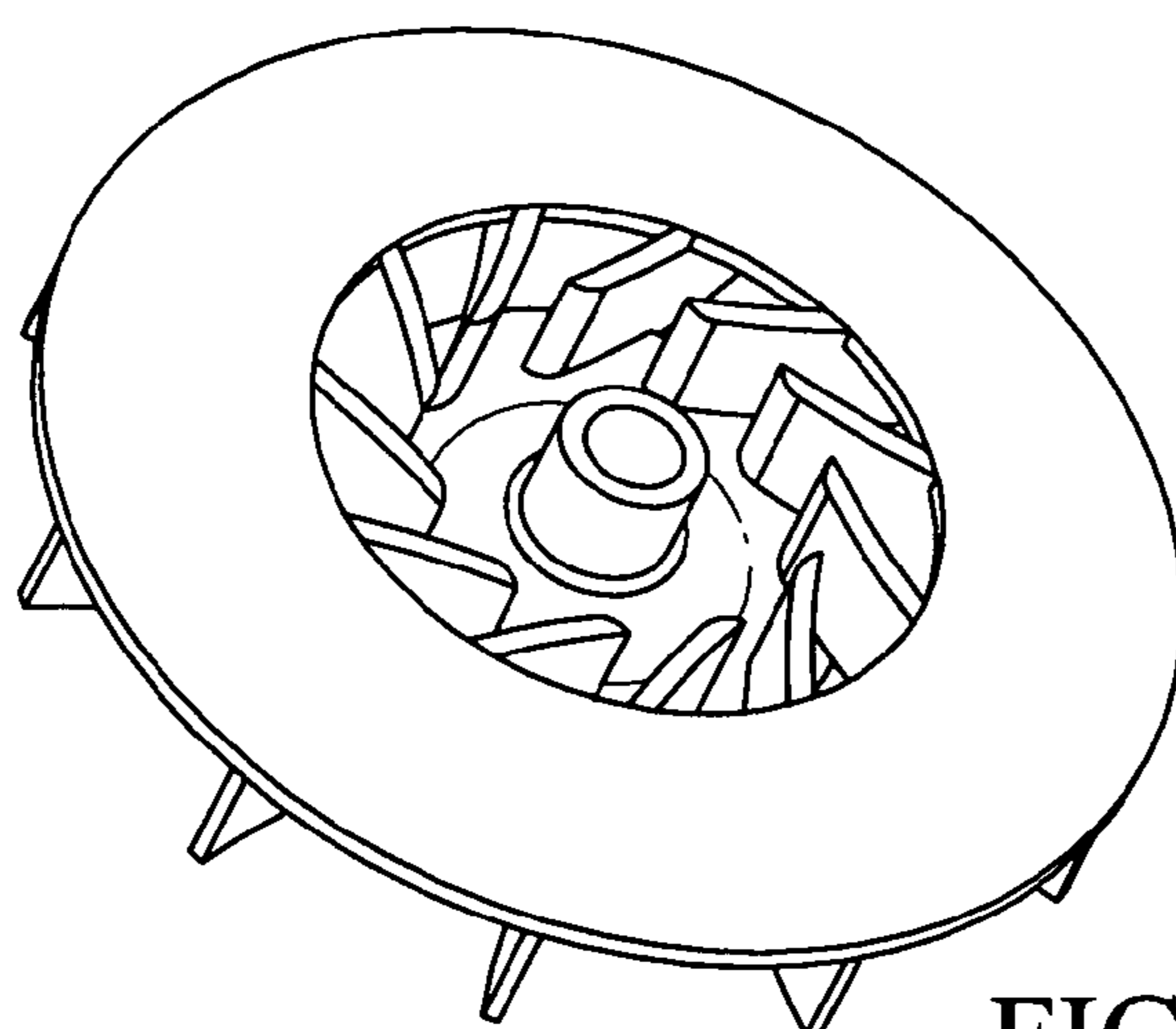


FIG. 2

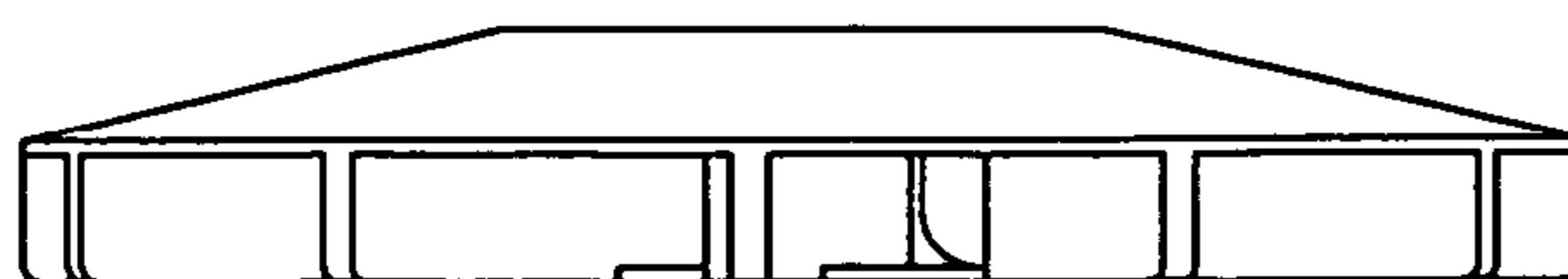


FIG. 3

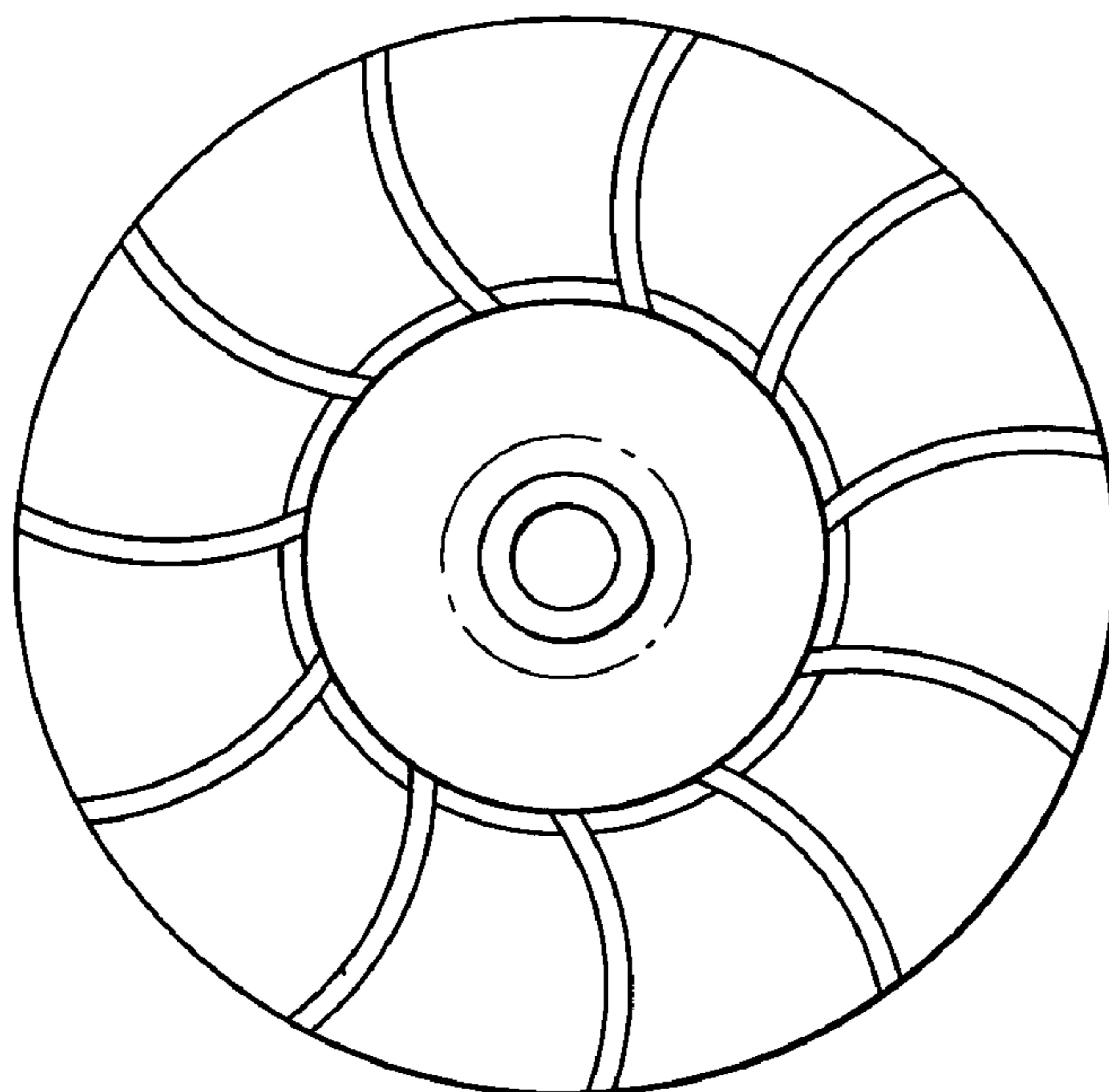


FIG. 4

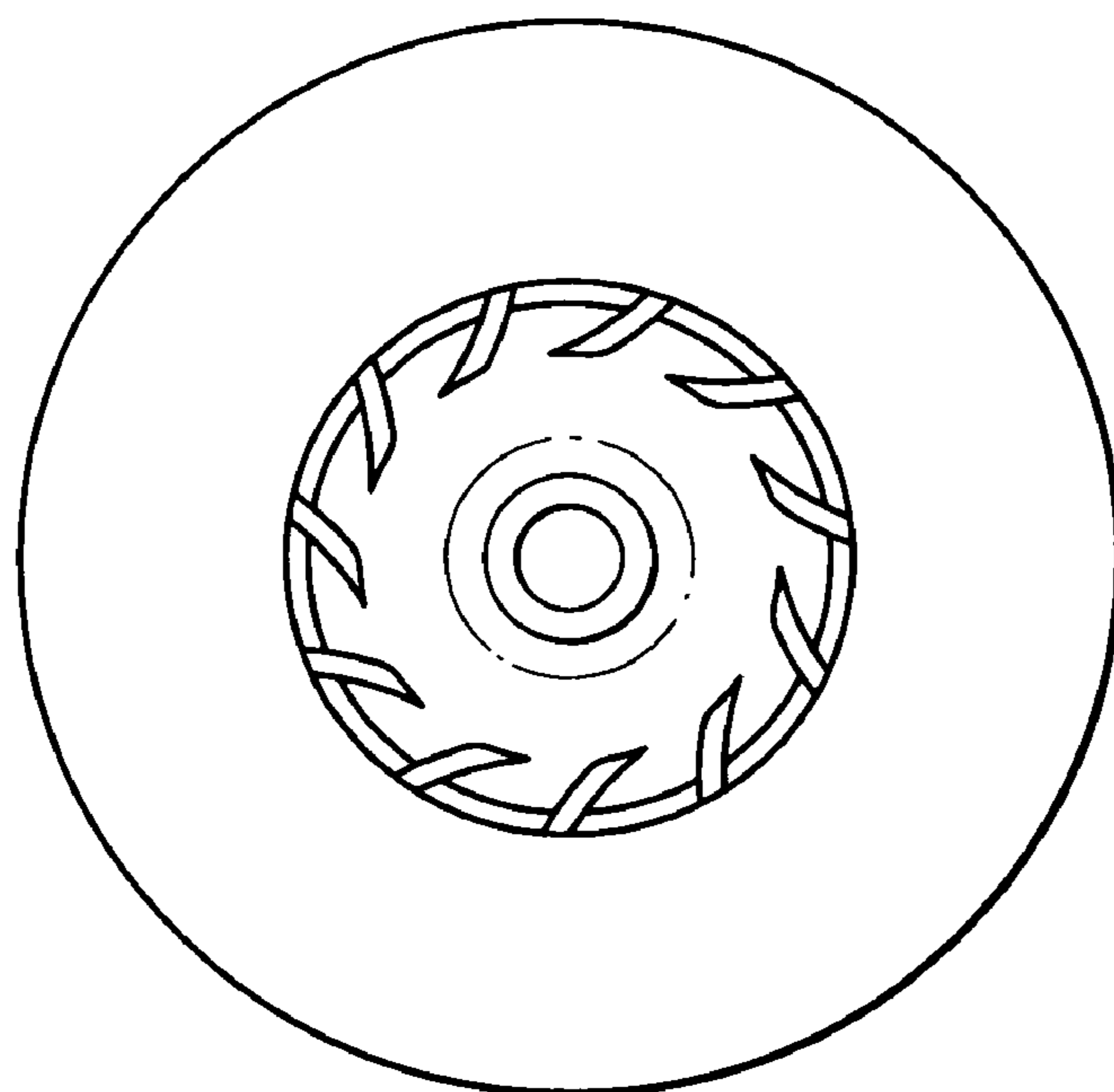


FIG. 5

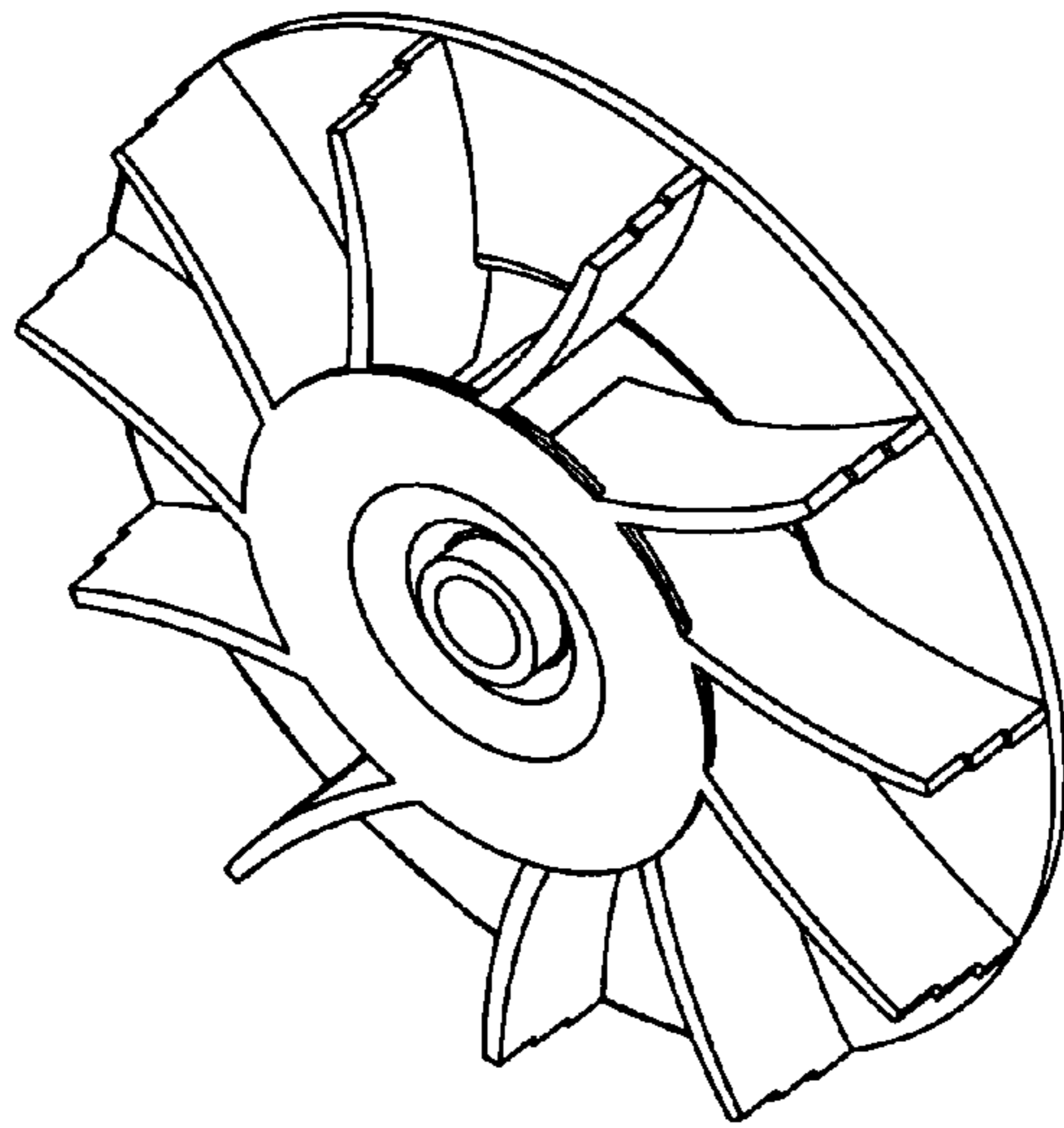


FIG. 6

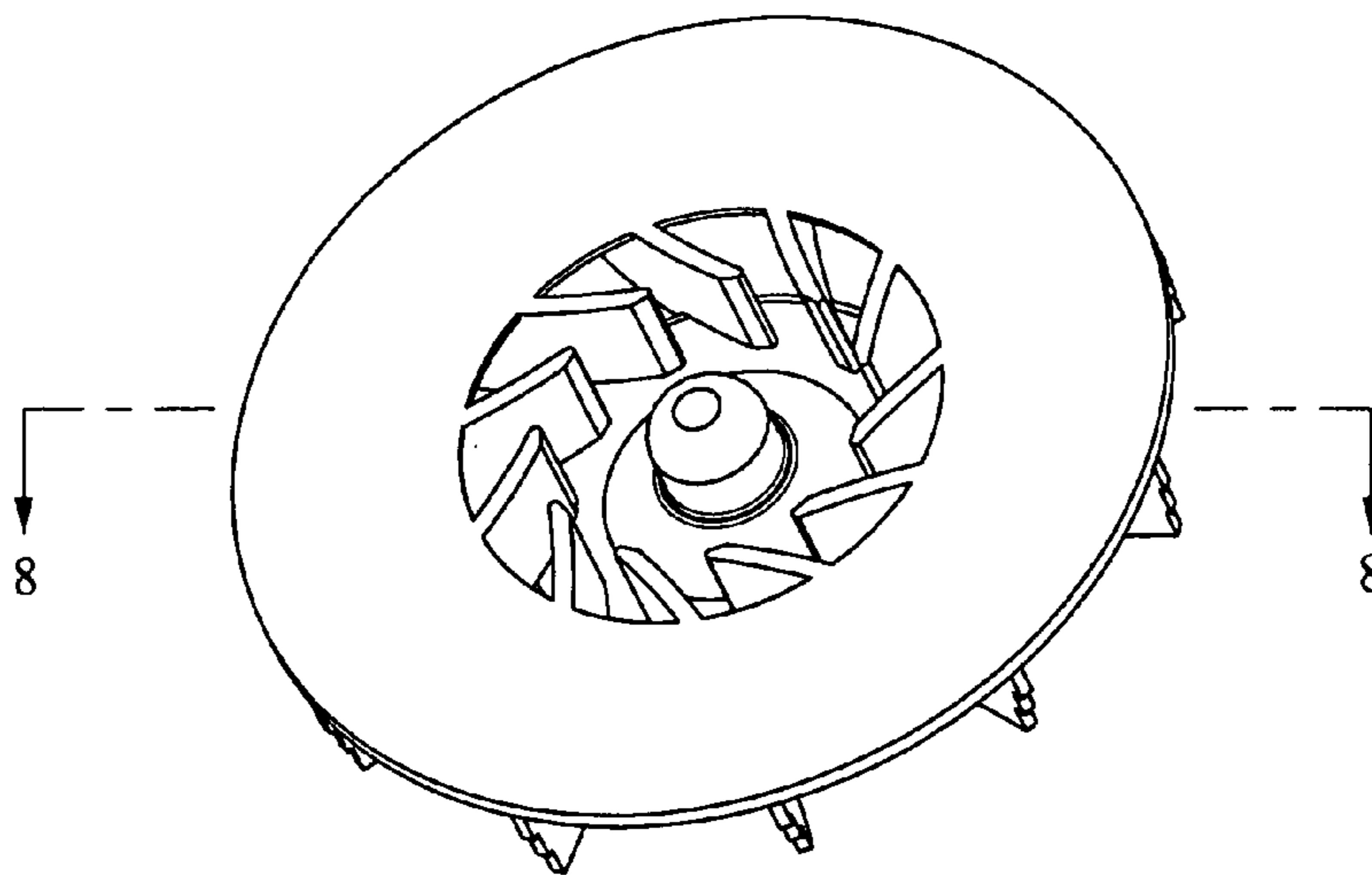


FIG. 7

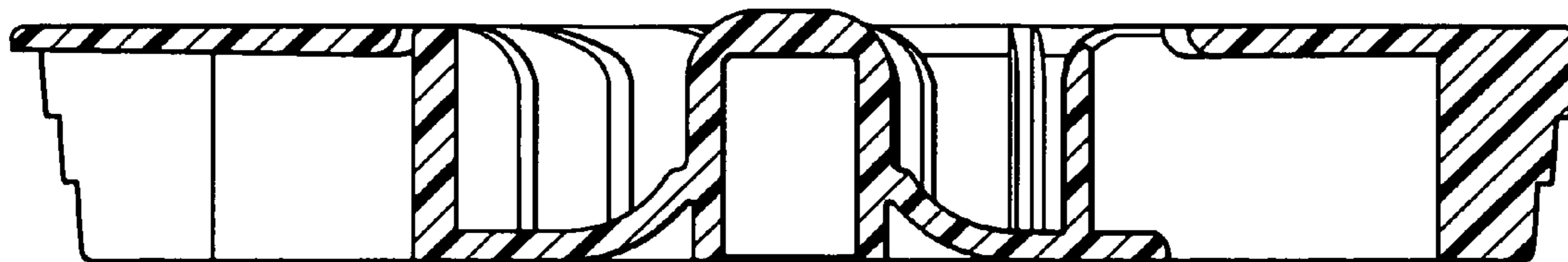


FIG. 8