

US00D645949S

(12) **United States Design Patent**
Brandenburg et al.

(10) **Patent No.:** **US D645,949 S**

(45) **Date of Patent:** **** Sep. 27, 2011**

(54) **AIR FRESHENER GEL DISPENSER**

(75) Inventors: **Kyle Brandenburg**, Middletown, DE
(US); **Frank M. Lesniak**, Media, PA
(US)

(73) Assignee: **Hayloft Enterprises, Inc.**, Wilmington,
DE (US)

(**) Term: **14 Years**

(21) Appl. No.: **29/384,786**

(22) Filed: **Feb. 3, 2011**

(51) **LOC (9) Cl.** **28-99**

(52) **U.S. Cl.** **D23/366**

(58) **Field of Classification Search** D23/355-369;
D28/5, 6; 261/DIG. 17, DIG. 42, DIG. 65,
261/DIG. 88, DIG. 89; 392/386, 390, 391,
392/392, 393, 394, 395; 239/34, 35, 44-47,
239/50, 53, 56, 60, 145, 326

See application file for complete search history.

(56) **References Cited**

U.S. PATENT DOCUMENTS

3,239,145	A	3/1966	Russo	
3,908,906	A	9/1975	Crowle et al.	
D306,478	S *	3/1990	von Philipp et al.	D23/366
D355,962	S *	2/1995	Chiu et al.	D23/364
D368,771	S *	4/1996	Patel et al.	D23/367
D392,032	S *	3/1998	Zaragoza et al.	D23/369
D449,877	S *	10/2001	Delmenico et al.	D23/356
D454,190	S *	3/2002	Trocola	D23/366
6,994,270	B2	2/2006	Wongosari et al.	
D535,376	S *	1/2007	Michaels et al.	D23/366
D544,084	S *	6/2007	Michaels et al.	D23/366
D544,593	S *	6/2007	Yamamoto	D23/366
D547,850	S *	7/2007	Michaels et al.	D23/366
D548,317	S *	8/2007	Newton et al.	D23/366
D562,144	S *	2/2008	Lane	D9/556
D583,451	S *	12/2008	Aloe et al.	D23/366
D583,452	S *	12/2008	Aloe et al.	D23/366
D598,770	S *	8/2009	Delfino, Jr.	D9/538

D614,277	S *	4/2010	Hsiao	D23/366
D628,281	S *	11/2010	Bates et al.	D23/364
D631,534	S *	1/2011	Kajizuka	D23/366
D635,403	S *	4/2011	Conway et al.	D7/598
D635,653	S *	4/2011	Conway et al.	D23/355
2011/0011947	A1	1/2011	Wallis et al.	

* cited by examiner

Primary Examiner — Sandra Snapp

(74) *Attorney, Agent, or Firm* — Connolly Bove Lodge & Hutz LLP

(57) **CLAIM**

The ornamental design for an air freshener gel dispenser, as shown and described.

DESCRIPTION

FIG. 1 is a right front perspective view of an air freshener gel dispenser showing the invention;

FIG. 2 is a front elevational view of the air freshener gel dispenser of FIG. 1, wherein the left side elevational view, rear elevational view and right side elevational views are identical thereto;

FIG. 3 is a top plan view of the air freshener gel dispenser of FIG. 1;

FIG. 4 is a bottom plan view of the air freshener gel dispenser of FIG. 1;

FIG. 5 is a right front perspective view of an air freshener gel dispenser showing an alternative embodiment of the invention;

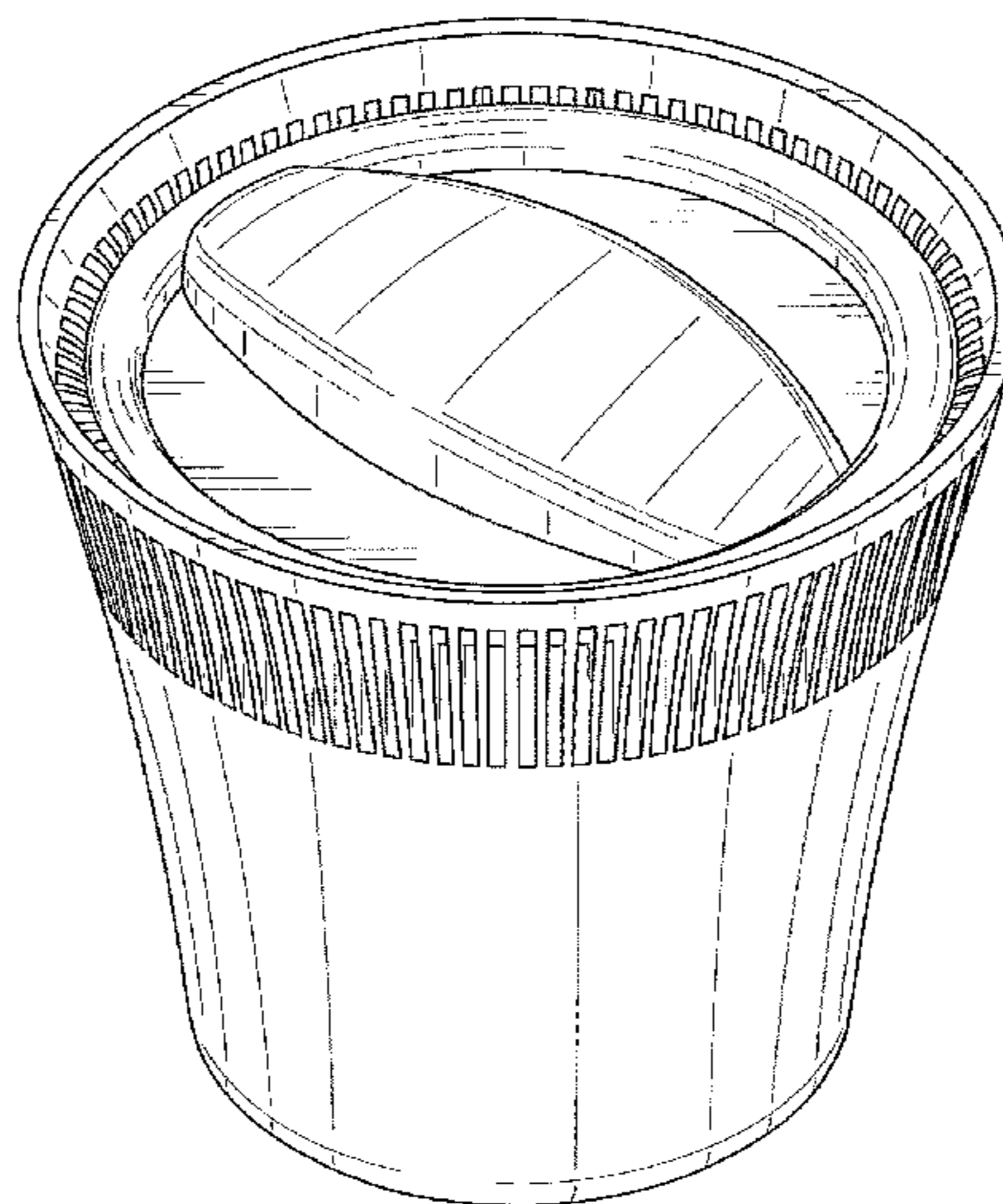
FIG. 6 is a front elevational view of the air freshener gel dispenser of FIG. 5, wherein the left side elevational view, rear elevational view and right side elevational views are identical thereto;

FIG. 7 is a top plan view of the air freshener gel dispenser of FIG. 5; and,

FIG. 8 is a bottom plan view of the air freshener gel dispenser of FIG. 5.

The broken lines in FIGS. 5-8 are for illustrative purposes only and form no part of the claimed design.

1 Claim, 6 Drawing Sheets



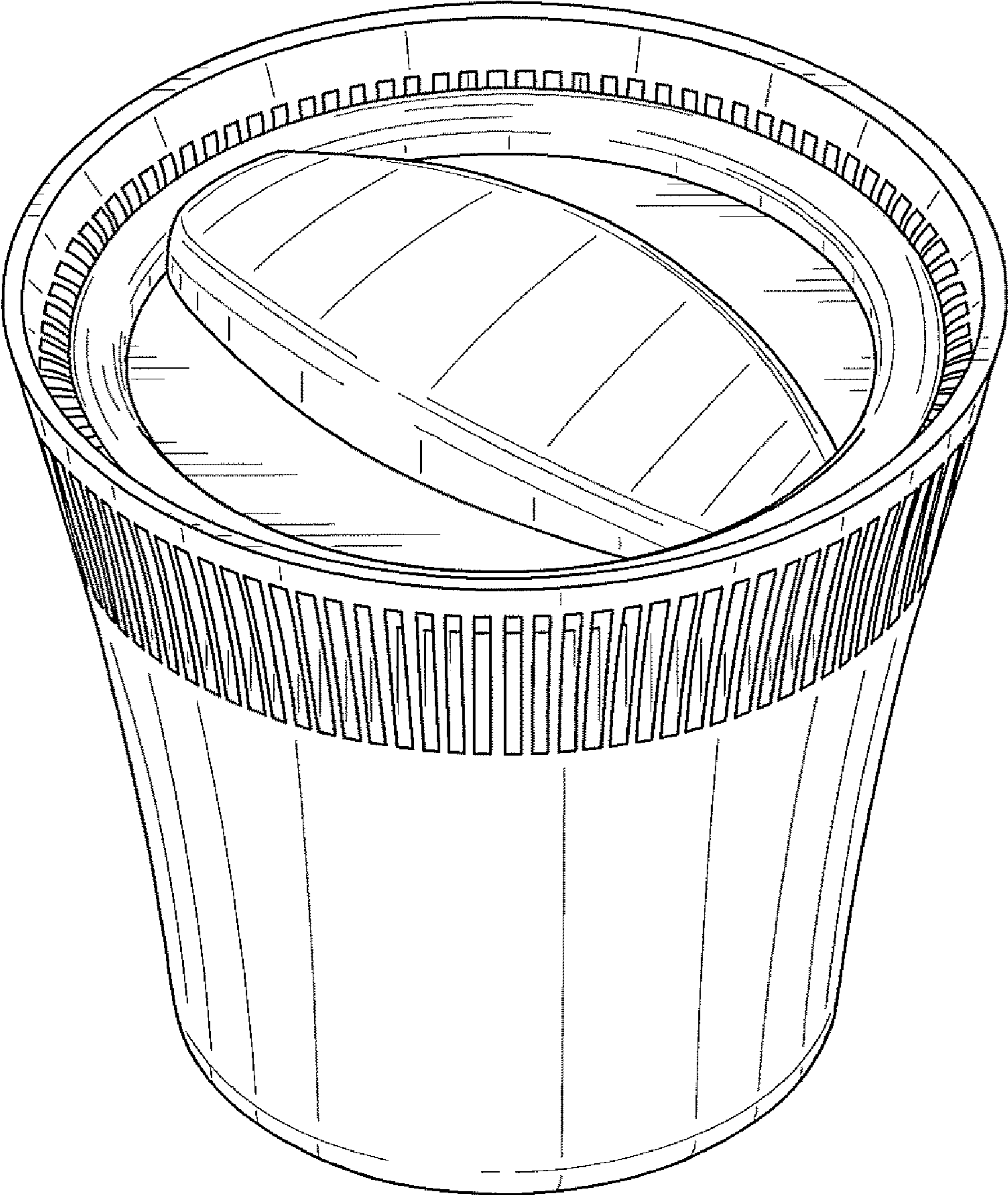


FIG. 1

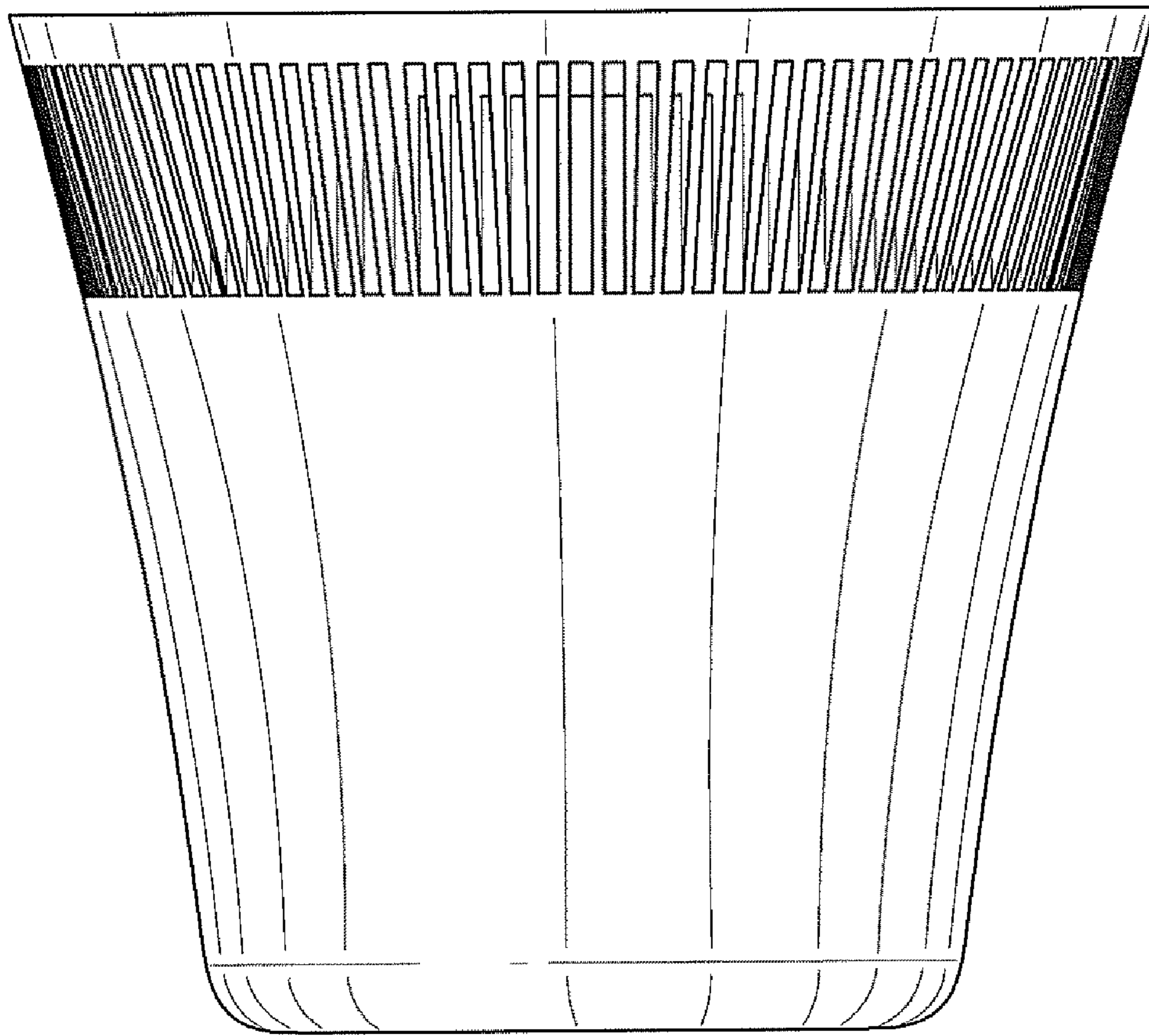


FIG. 2

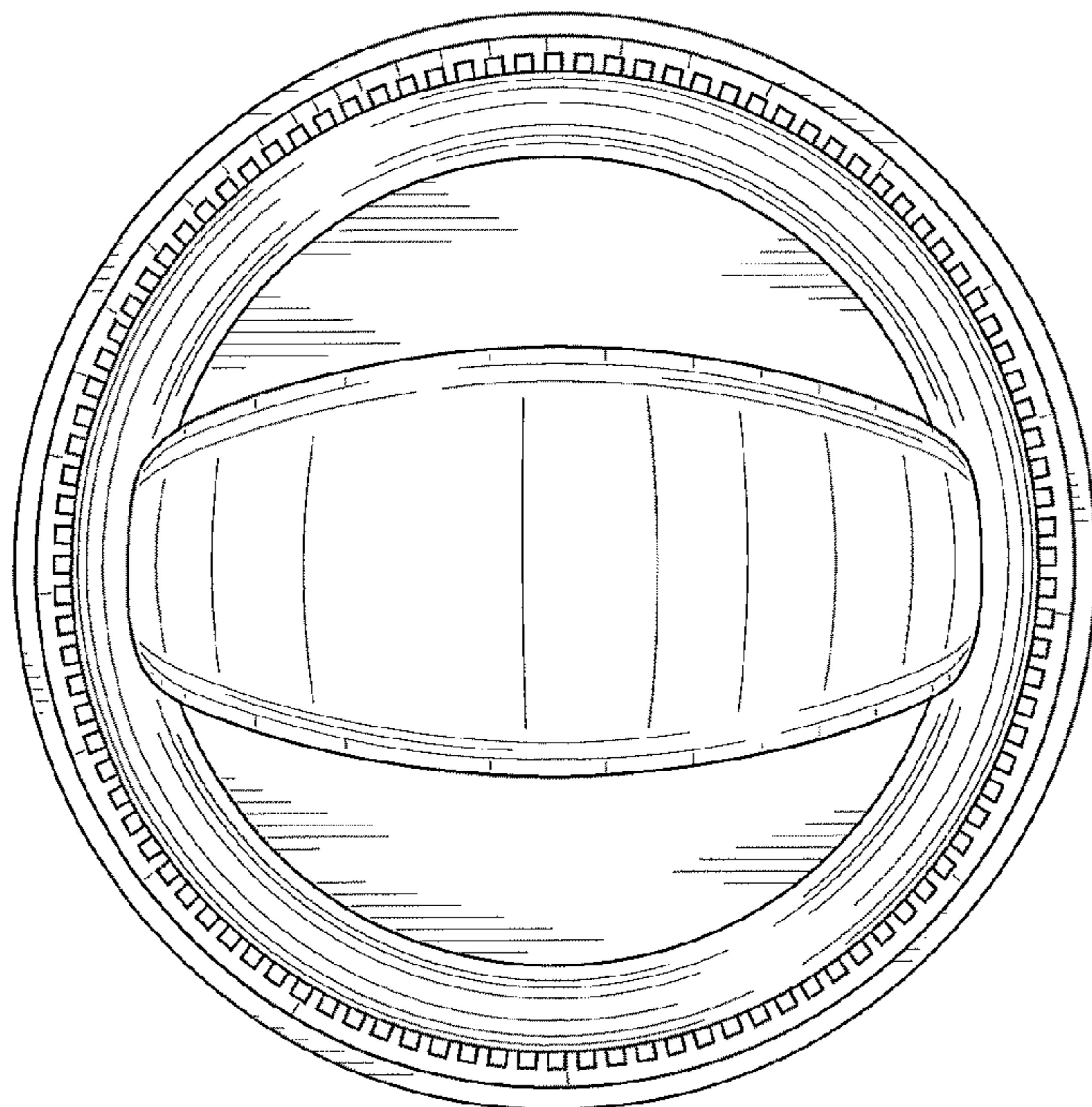


FIG. 3

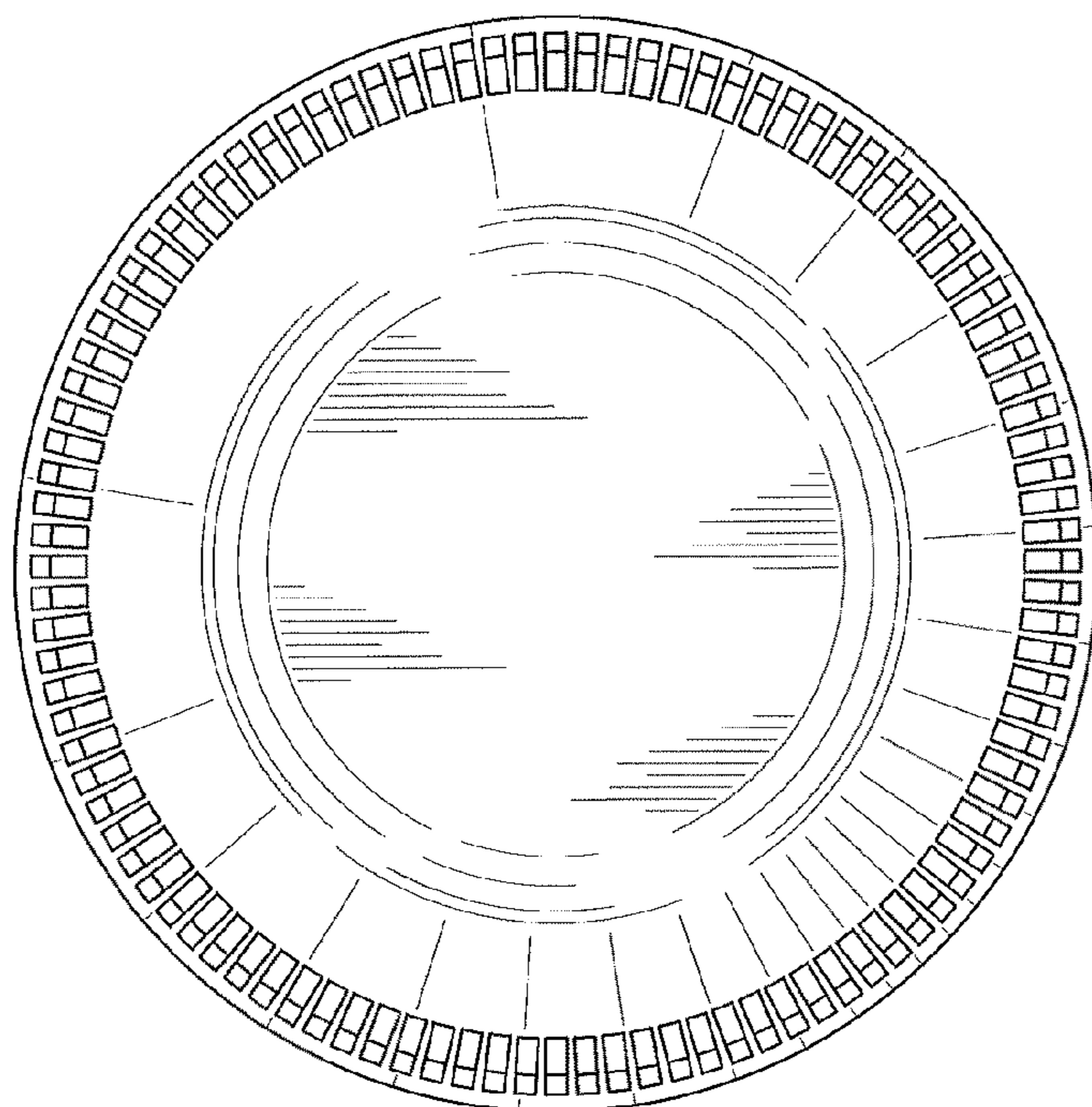


FIG. 4

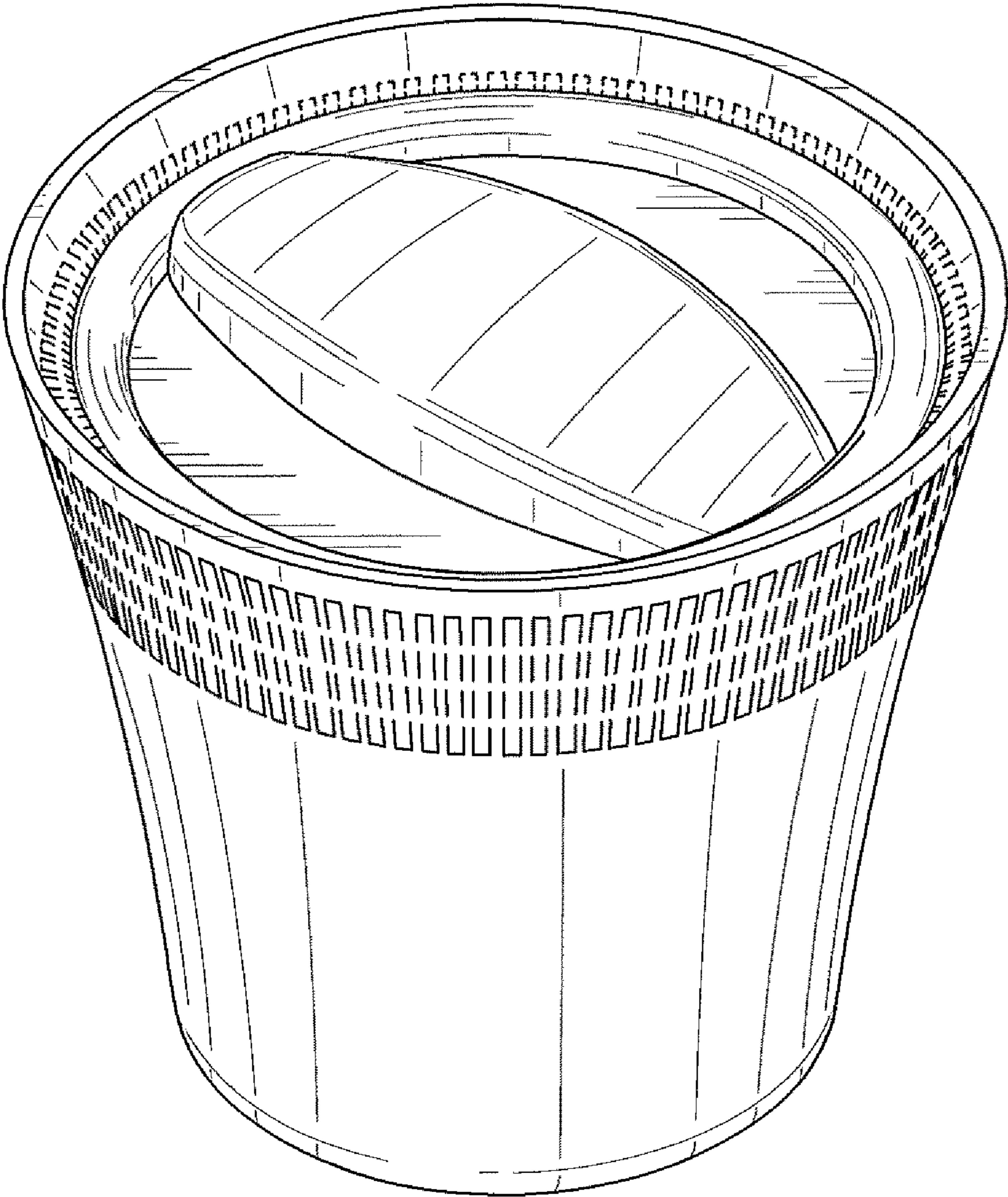


FIG. 5

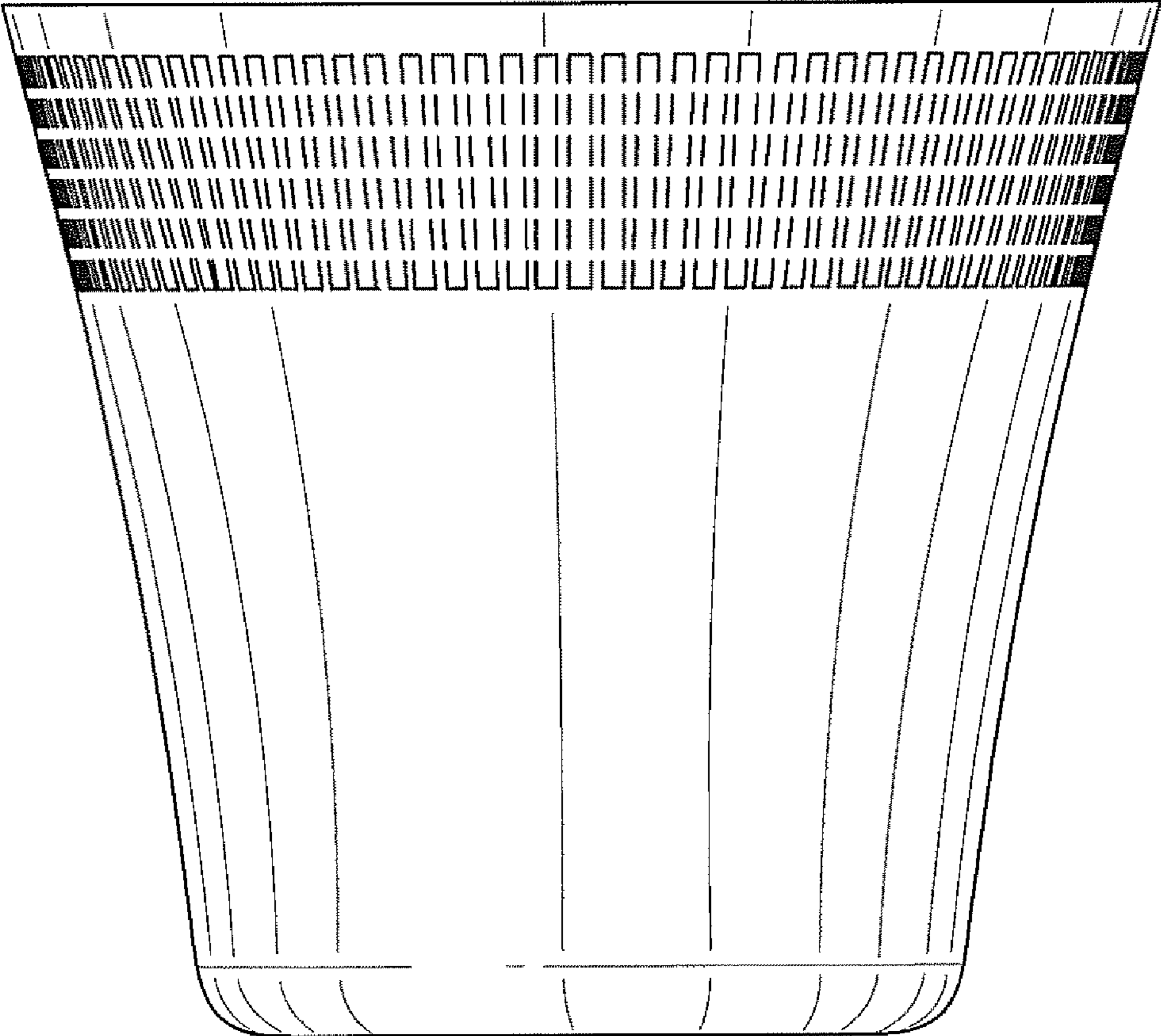


FIG. 6

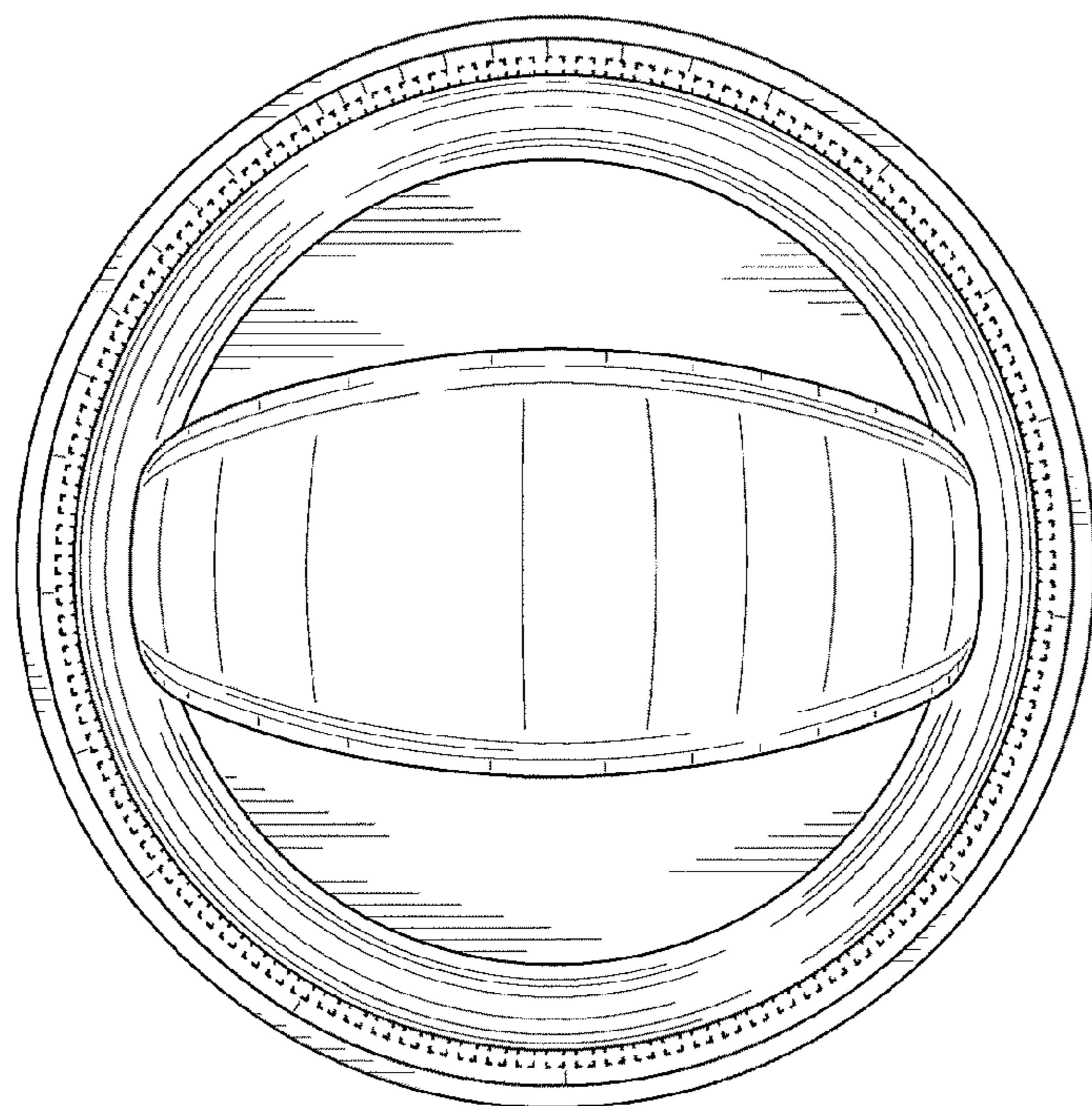


FIG. 7

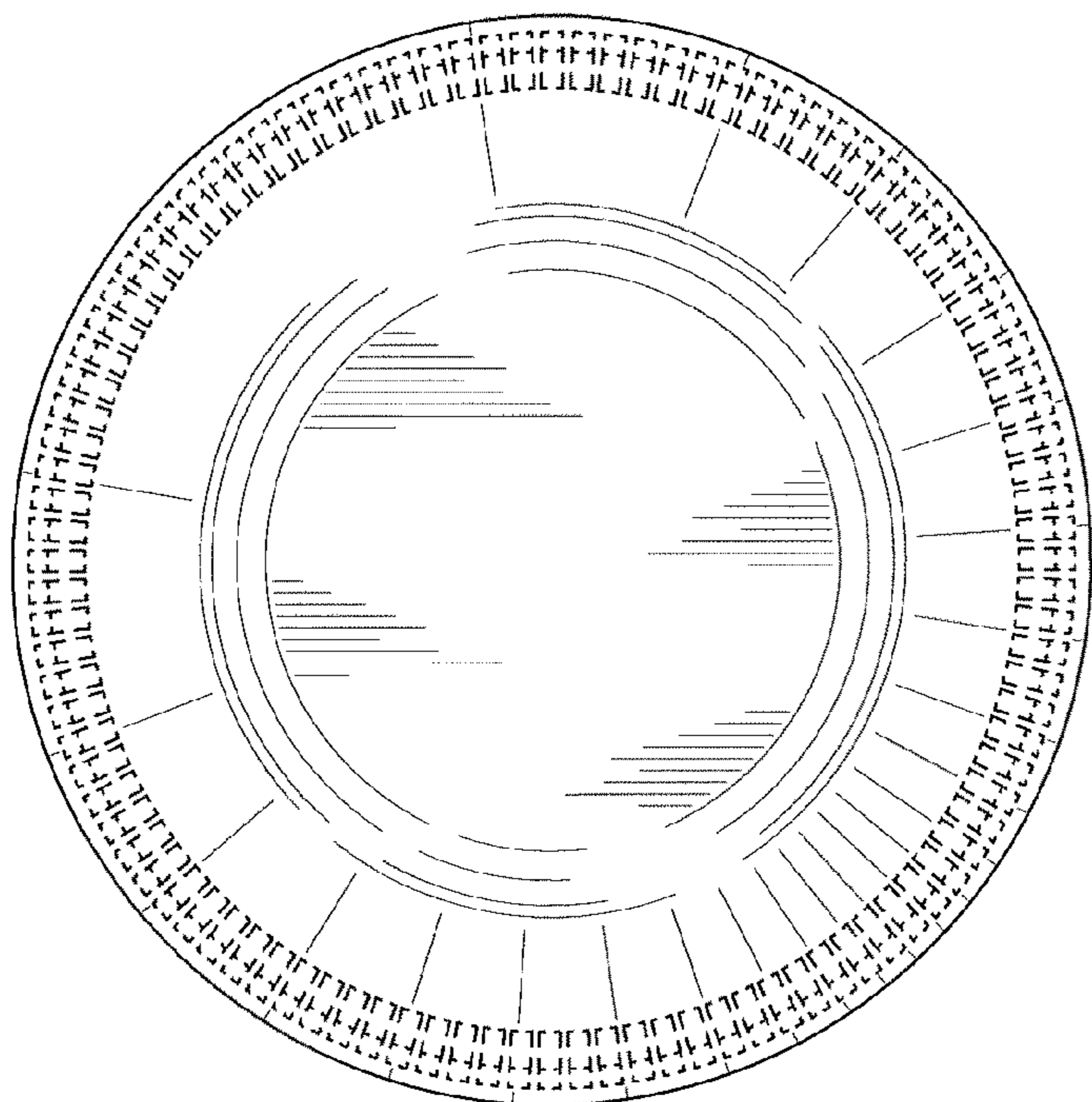


FIG. 8