

US00D645947S

(12) **United States Design Patent**
Sevy

(10) **Patent No.:** **US D645,947 S**

(45) **Date of Patent:** **** Sep. 27, 2011**

(54) **AROMA NEBULIZING DIFFUSER**

(76) **Inventor:** **Earl Vaughn Sevy, Cedar City, UT (US)**

(**) **Term:** **14 Years**

(21) **Appl. No.:** **29/310,976**

(22) **Filed:** **Sep. 23, 2008**

(51) **LOC (9) Cl.** **28-99**

(52) **U.S. Cl.** **D23/366**

(58) **Field of Classification Search** D23/355-369;
D28/5, 6; 261/DIG. 17, DIG. 42, DIG. 65,
261/DIG. 88, DIG. 89; 392/386, 390, 391,
392/392, 394, 395, 389, 393; 239/34, 35,
239/43-45, 53, 56, 57, 60, 326, 42, 50, 55

See application file for complete search history.

(56) **References Cited**

U.S. PATENT DOCUMENTS

D199,474 S *	10/1964	Storch	D23/362
3,229,450 A *	1/1966	Stern	96/258
3,812,853 A *	5/1974	Crain	128/200.17
D234,641 S *	3/1975	King	D24/110
D255,832 S *	7/1980	Reichl	D23/362
D266,701 S *	10/1982	Marloth	D24/110
D271,795 S *	12/1983	Nakao et al.	D23/360
D337,636 S *	7/1993	Kocinski	D24/110
D366,314 S *	1/1996	Kaizaki et al.	D24/110
D430,657 S *	9/2000	Allende	D23/360
D435,895 S *	1/2001	Davis	D23/366
D491,255 S *	6/2004	Glucksman et al.	D23/356
D491,258 S	6/2004	Sevy		
D492,020 S	6/2004	Sevy		
D509,893 S	9/2005	Sevy		
D520,129 S	5/2006	Sevy		
D526,710 S	8/2006	Sevy		
D533,650 S *	12/2006	Ohta	D23/360
D535,372 S *	1/2007	Kaizuka	D23/360
7,407,118 B2	8/2008	Sevy		
D583,046 S *	12/2008	Ku et al.	D24/110
D585,977 S *	2/2009	Brown et al.	D24/110
D613,367 S *	4/2010	Burt et al.	D23/208

* cited by examiner

Primary Examiner — Sandra Snapp

(74) *Attorney, Agent, or Firm* — Pate Baird, PLLC; Jack Pate

(57) **CLAIM**

The ornamental design for an aroma nebulizing diffuser, as shown and described.

DESCRIPTION

The present application is related to U.S. Pat. No. 7,407,118 B2, issued Jul. 5, 2008, for Atomization Jet Assembly, by Earl Vaughn Sevy, included by reference herein.

The present application is related to U.S. Pat. No. D526,710 S, issued Jul. 15, 2006, for Atomization Jet, by Earl Vaughn Sevy, included by reference herein.

The present application is related to U.S. Pat. No. D520,129 S, issued May 2, 2006, for FIG. 8 Shaped Diffuser Well, by Earl Vaughn Sevy, included by reference herein.

The present application is related to U.S. Pat. No. D509,893 S, issued Sep. 20, 2005, for Round Diffuser Well, by Earl Vaughn Sevy, included by reference herein.

The present application is related to U.S. Pat. No. D492,020 S, issued Jun. 22, 2004, for Oval Shaped Diffuser Well, by Earl Vaughn Sevy, included by reference herein.

The present application is related to U.S. Pat. No. D491,258 S, issued Jun. 8, 2004, for Glass Diffuser, by Earl Vaughn Sevy, included by reference herein.

The present application is related to U.S. Pat. No. 7,878,418, issued Feb. 1, 2011, for Integrated Essential Oil Atomizer, by Earl Vaughn Sevy, included by reference herein.

FIG. 1 is a front perspective view of the aroma nebulizing diffuser;

FIG. 2 is a rear perspective view of the aroma nebulizing diffuser;

FIG. 3 is a front elevation view of the aroma nebulizing diffuser;

FIG. 4 is a right elevation view of the aroma nebulizing diffuser;

FIG. 5 is a rear elevation view of the aroma nebulizing diffuser;

FIG. 6 is a left elevation view of the aroma nebulizing diffuser;

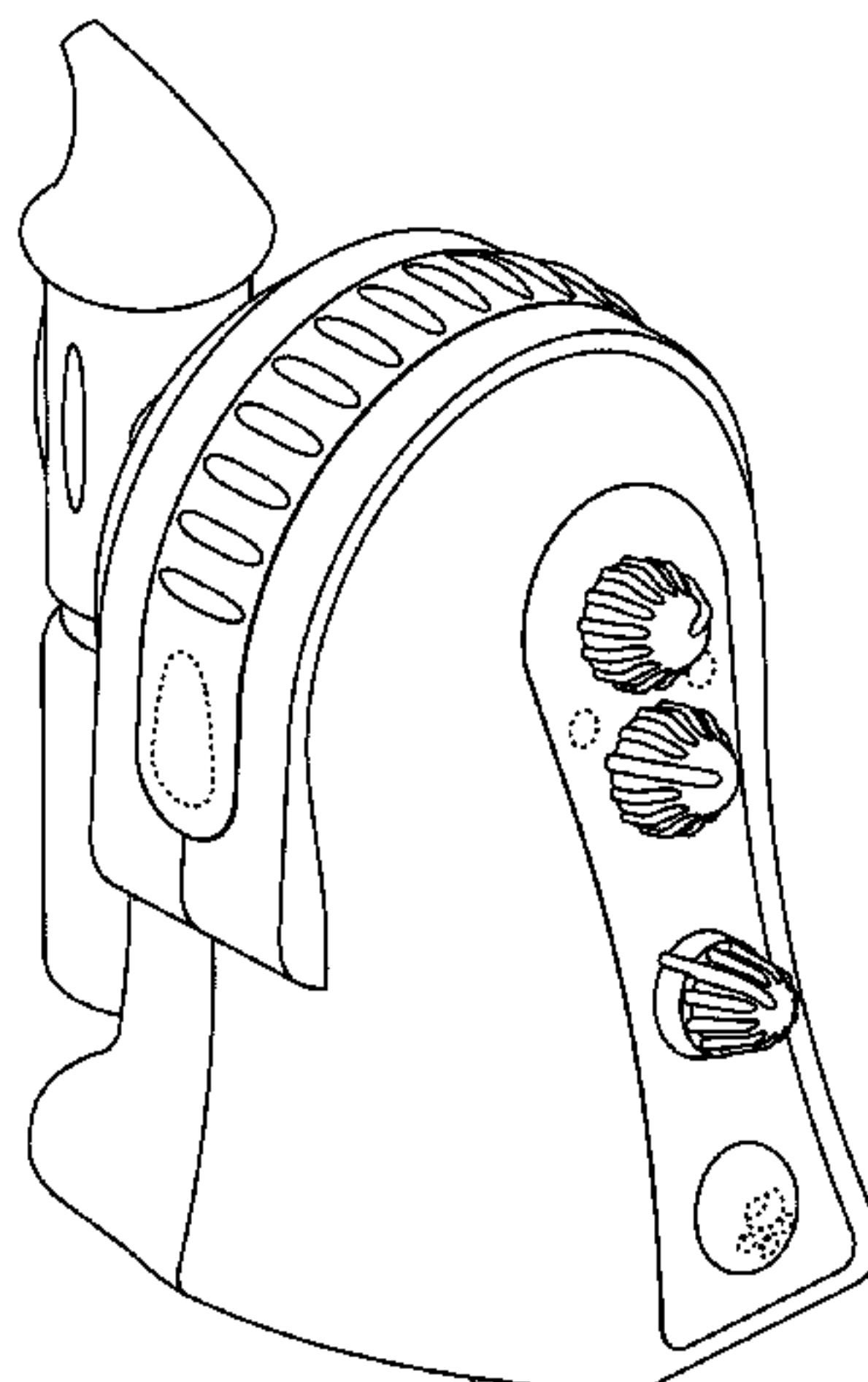
FIG. 7 is a bottom plan view of the aroma nebulizing diffuser;

FIG. 8 is a top plan view of the aroma nebulizing diffuser; and,

FIG. 9 is a front exploded perspective view of the aroma nebulizing diffuser.

The broken lines shown in the drawings are for illustrative purposes only and form no part of the claimed design.

1 Claim, 6 Drawing Sheets



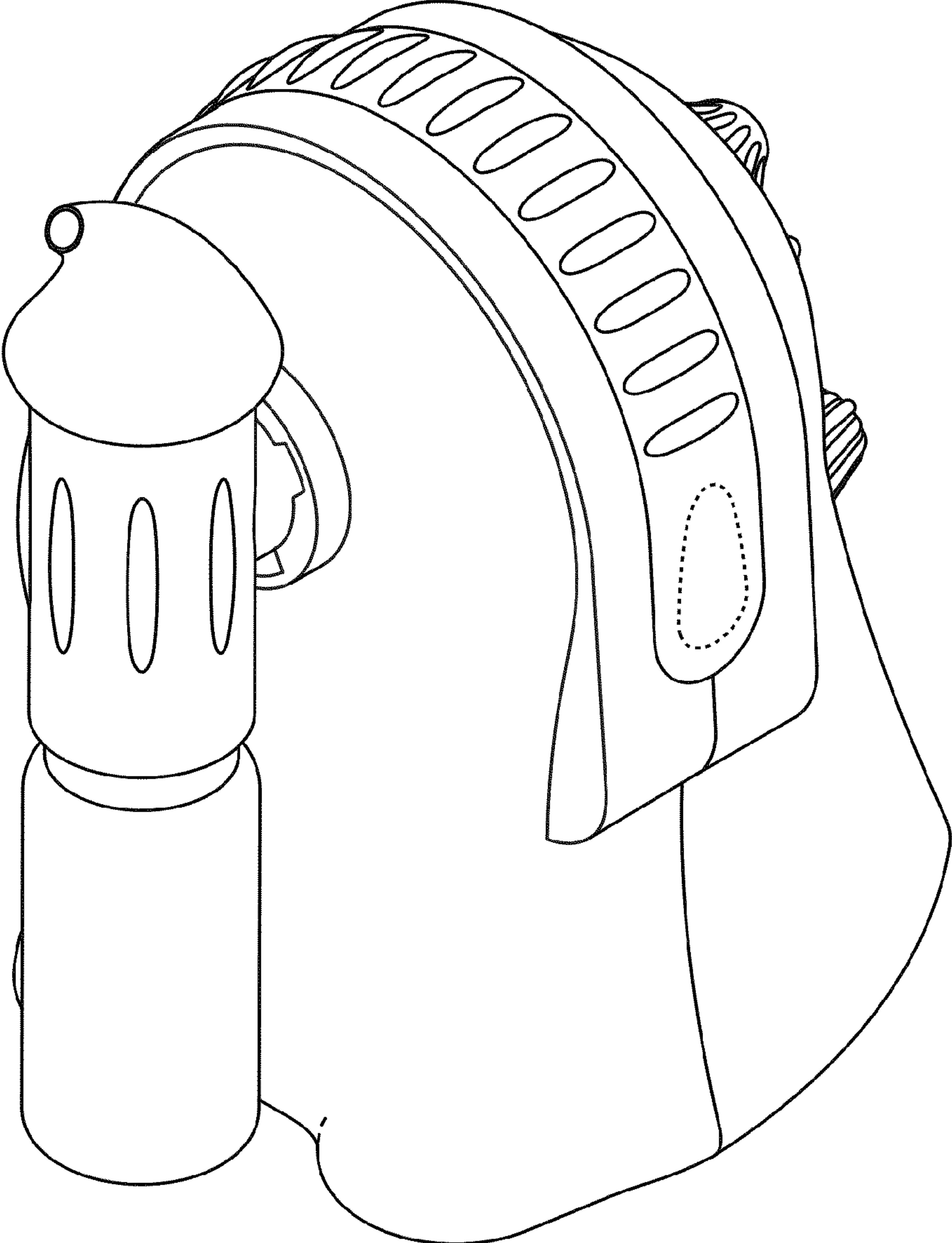


FIG. 1

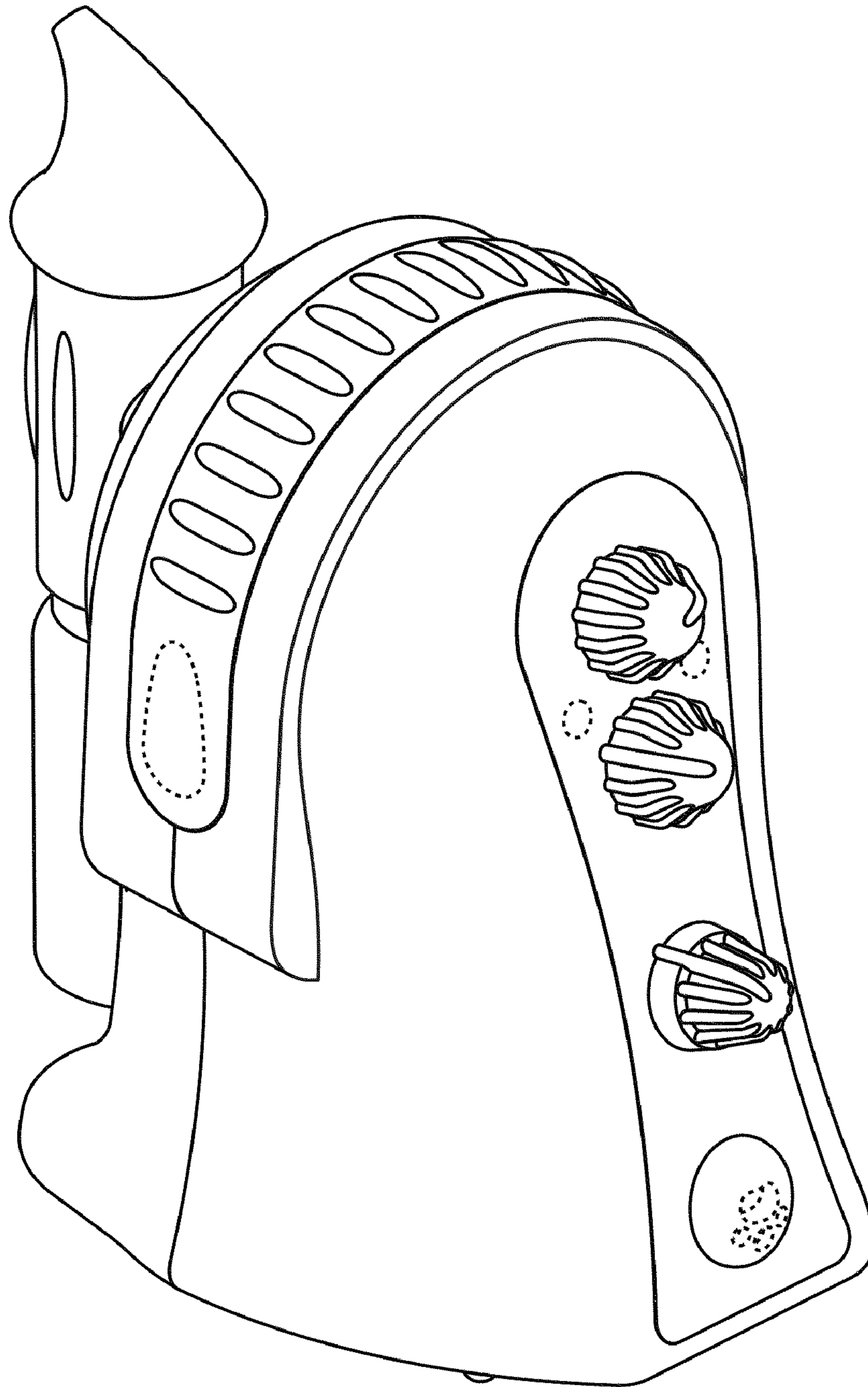


FIG. 2

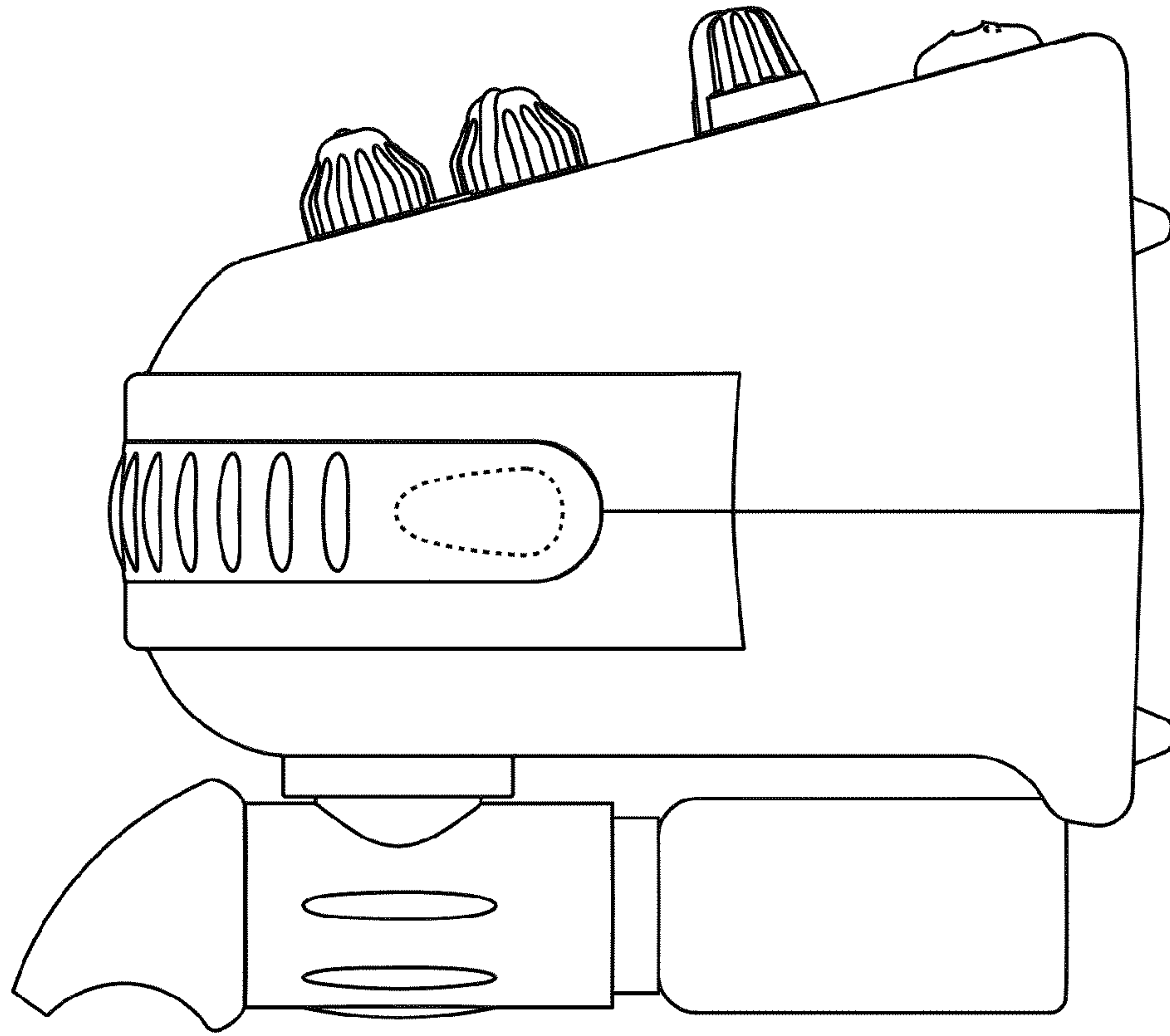


FIG. 4

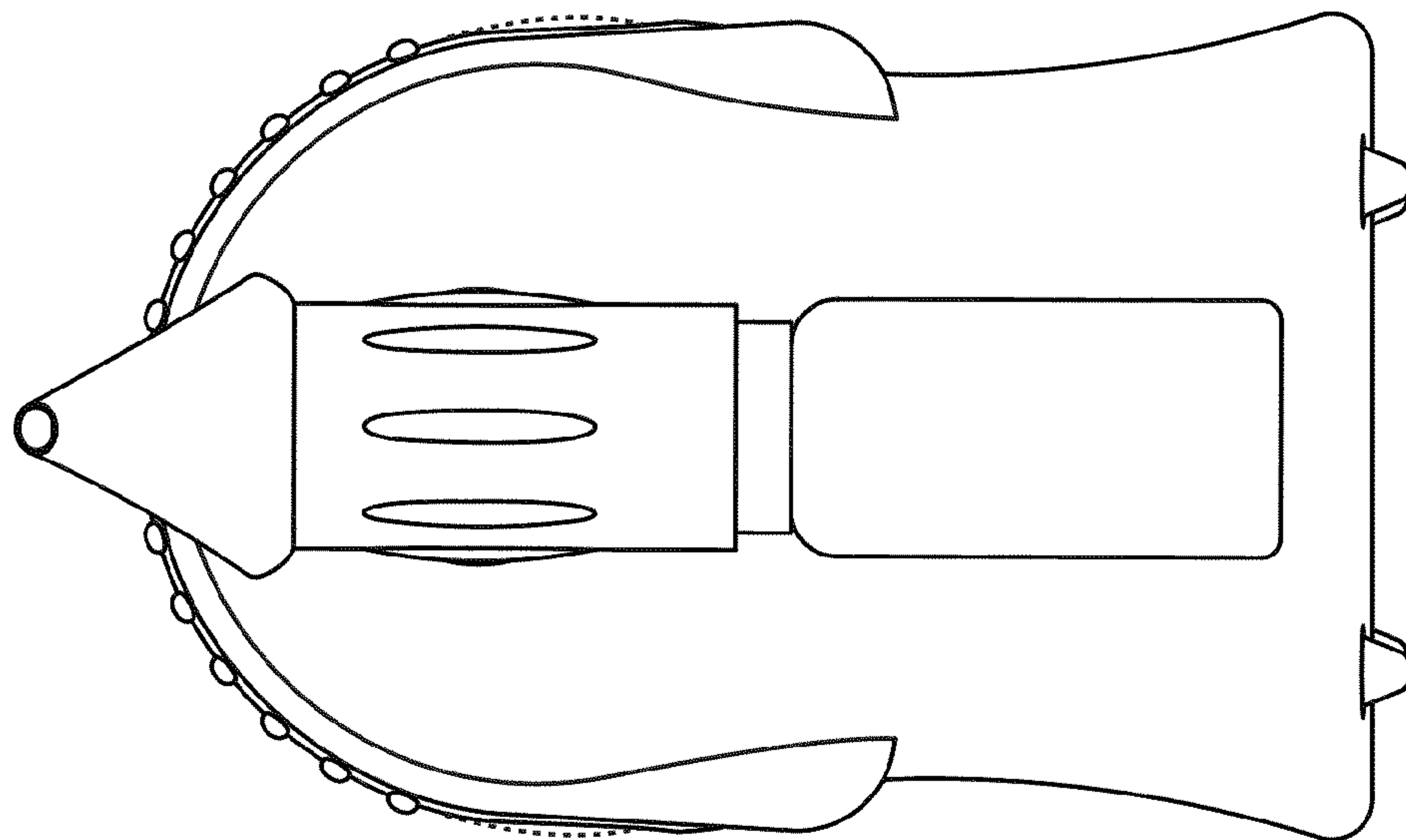


FIG. 3

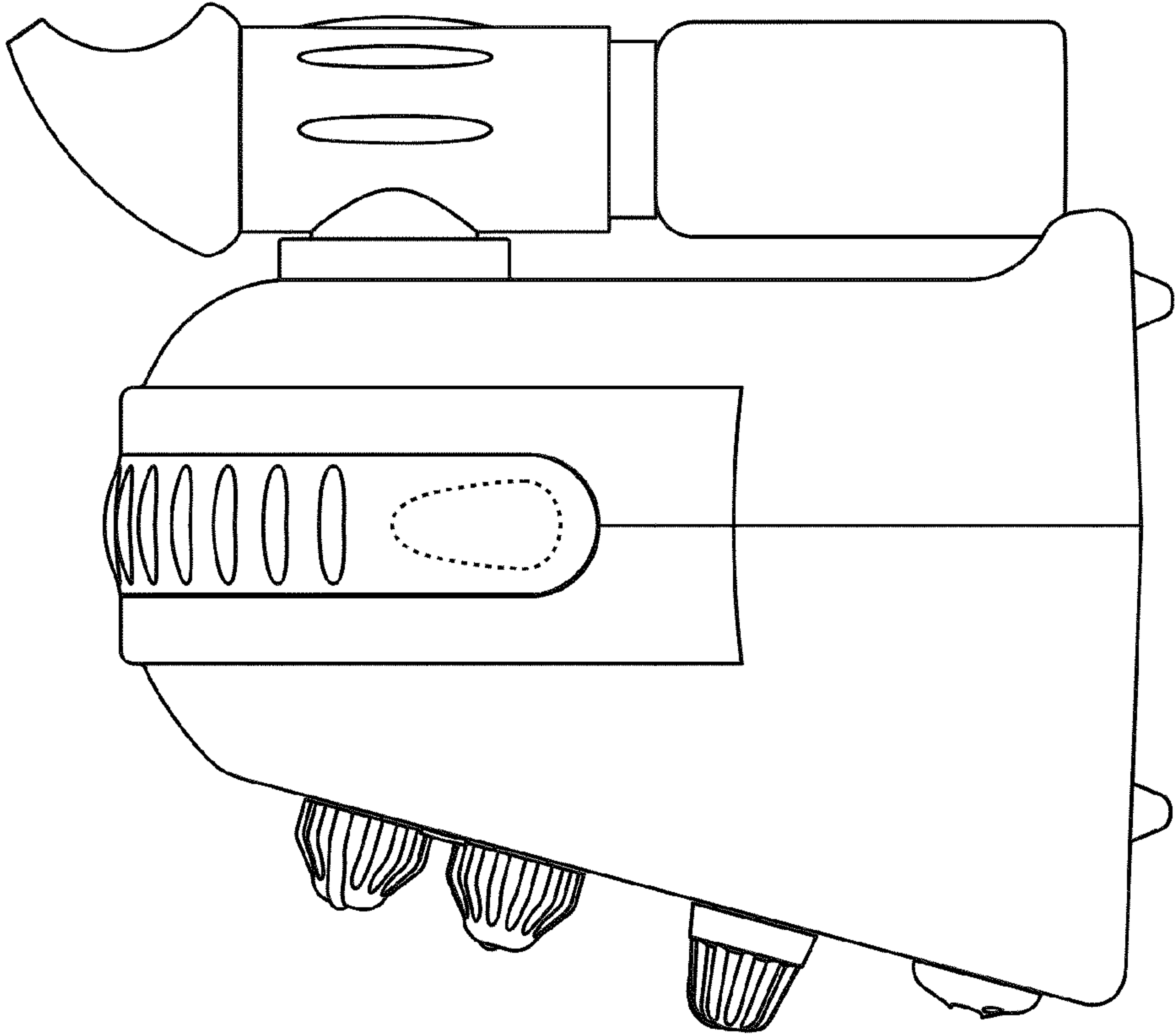


FIG. 6

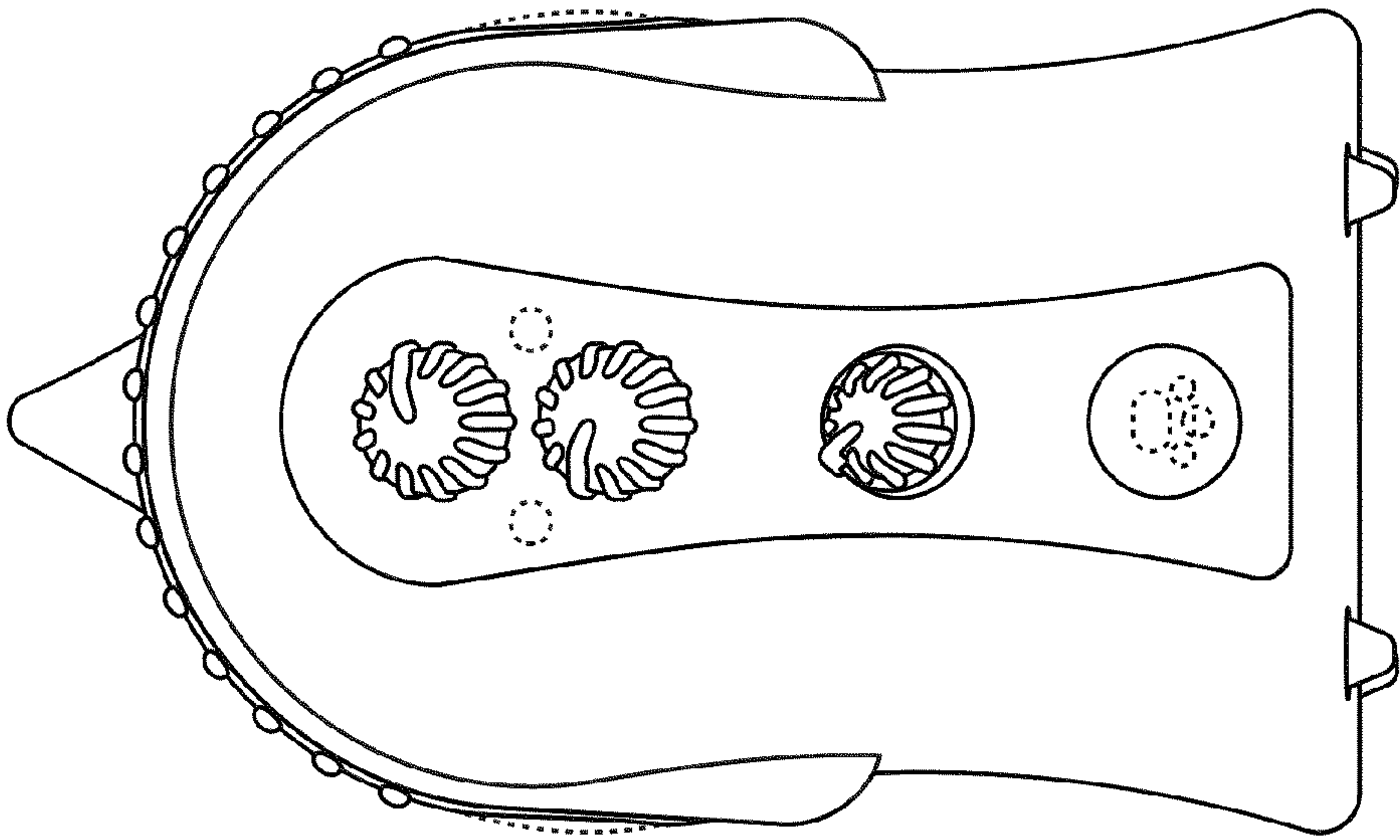


FIG. 5

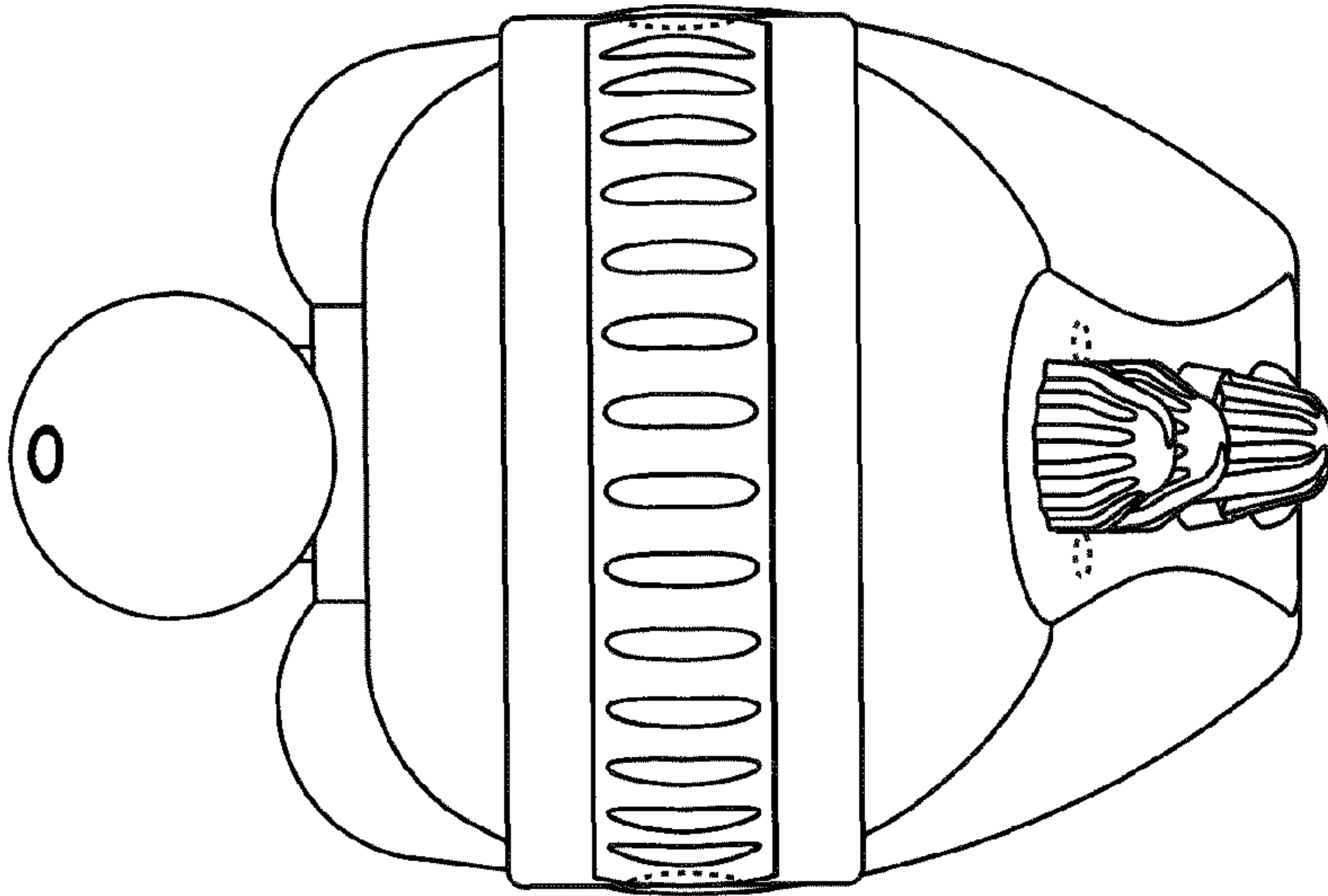


FIG. 8

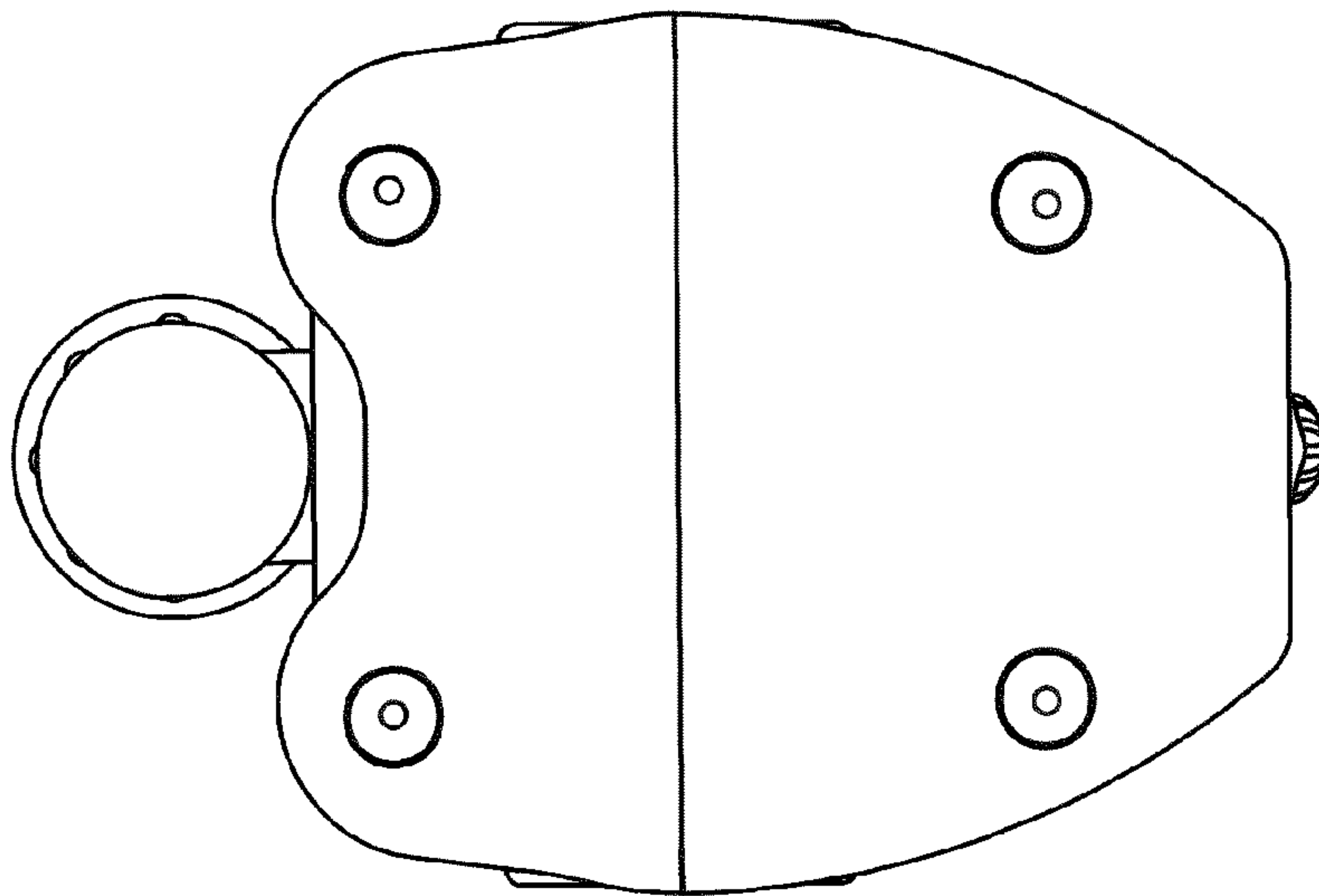


FIG. 7

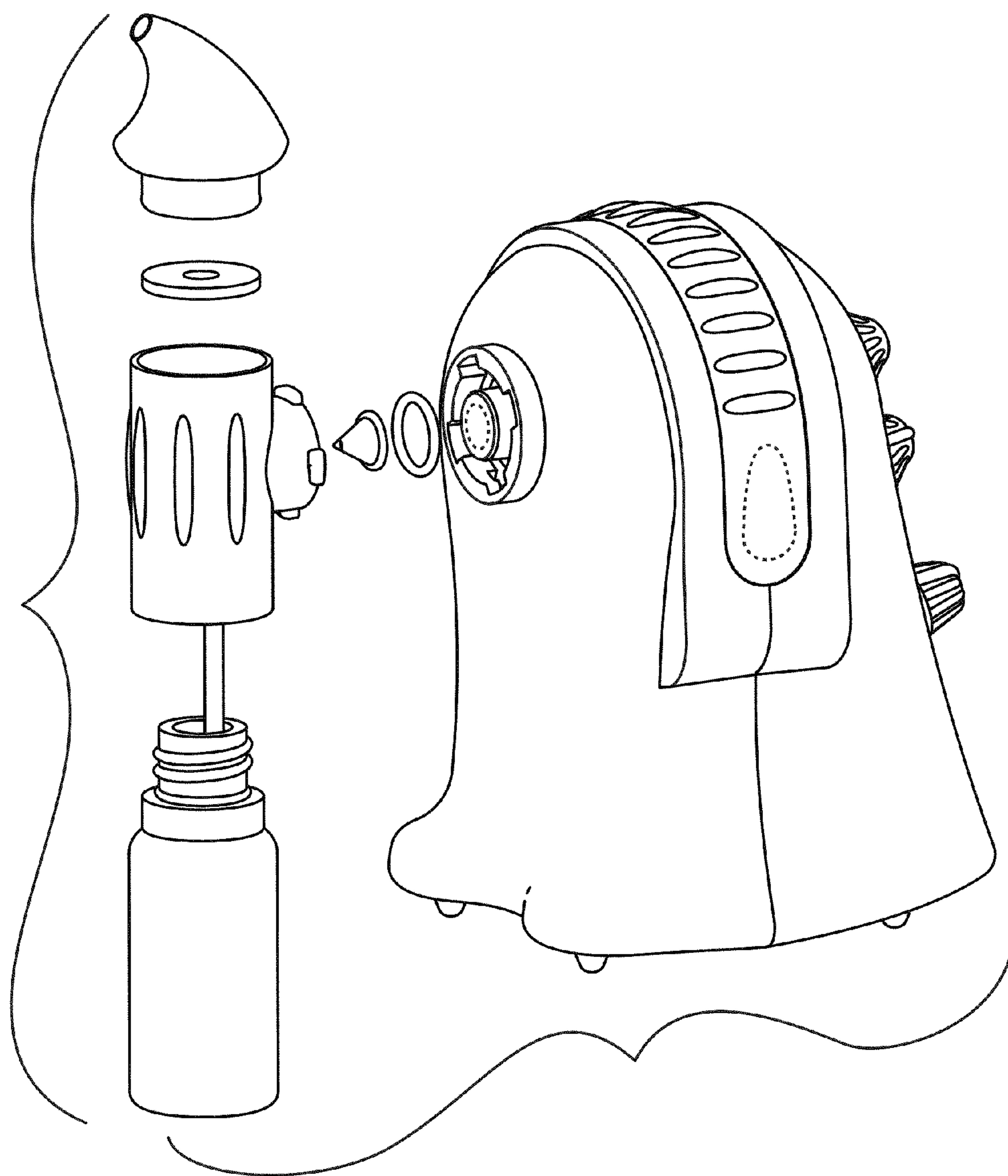


FIG. 9