



US00D645946S

(12) **United States Design Patent**
Guzman Salazar

(10) **Patent No.:** **US D645,946 S**

(45) **Date of Patent:** **** Sep. 27, 2011**

(54) **VANITY TOP**

(75) **Inventor:** **Luis Gerardo Guzman Salazar,**
Monterrey (MX)

(73) **Assignee:** **Arstar, S.A. de C.V.,** Monterrey (MX)

(**) **Term:** **14 Years**

(21) **Appl. No.:** **29/377,431**

(22) **Filed:** **Oct. 21, 2010**

(51) **LOC (9) Cl.** **23-02**

(52) **U.S. Cl.** **D23/284**

(58) **Field of Classification Search** D23/272-274,
D23/284, 286-287, 290, 293.1, 303, 308;
4/619, 639, 630-631

See application file for complete search history.

(56) **References Cited**

U.S. PATENT DOCUMENTS

D391,353 S *	2/1998	McKeone	D23/284
D507,044 S *	7/2005	Sutopo	D23/293.1
D538,905 S *	3/2007	Wano	D23/293.1
D612,025 S *	3/2010	Tanus	D23/293.1

OTHER PUBLICATIONS

Anson Industrial Co., Ltd.; online brochure; www.bathroomware.net/viewproduct.asp?product_id=676; believed to have been offered for sale, publicly used and/or published prior to the filing of this application.

* cited by examiner

Primary Examiner — Robert Delehanty

(74) *Attorney, Agent, or Firm* — Gifford, Krass, Sprinkle, Anderson & Citkowski, P.C.

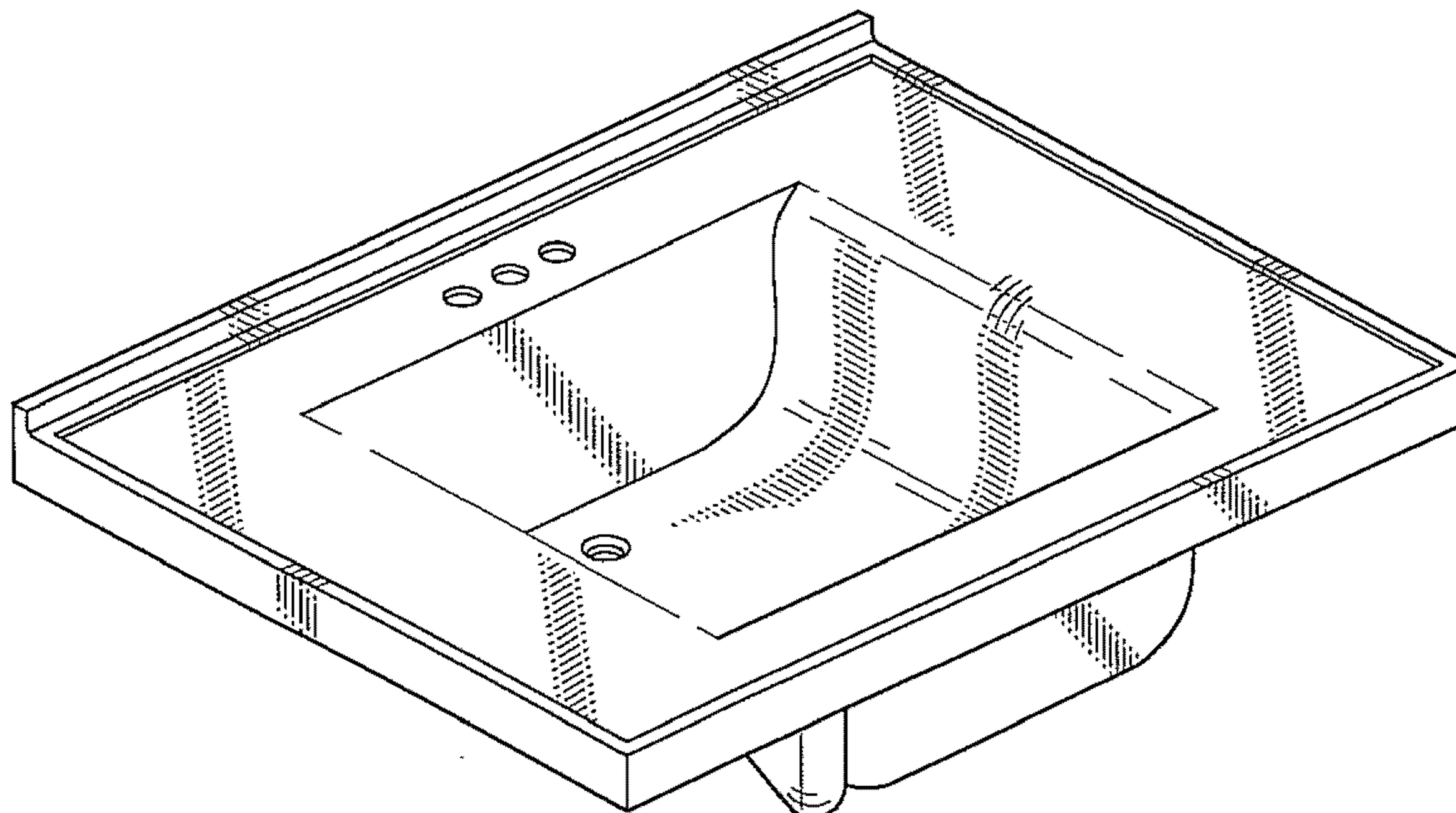
(57) **CLAIM**

The ornamental design for a vanity top, as shown and described.

DESCRIPTION

FIG. 1 is a perspective view of the vanity top;
FIG. 2 is a top side view of the vanity top;
FIG. 3 is a front side view of the vanity top;
FIG. 4 is a bottom side view of the vanity top;
FIG. 5 is a cross sectional view of the vanity top taken along the line 5-5 of FIG. 4;
FIG. 6 is a left side view of the vanity top; and,
FIG. 7 is a right side view of the vanity top.

1 Claim, 3 Drawing Sheets



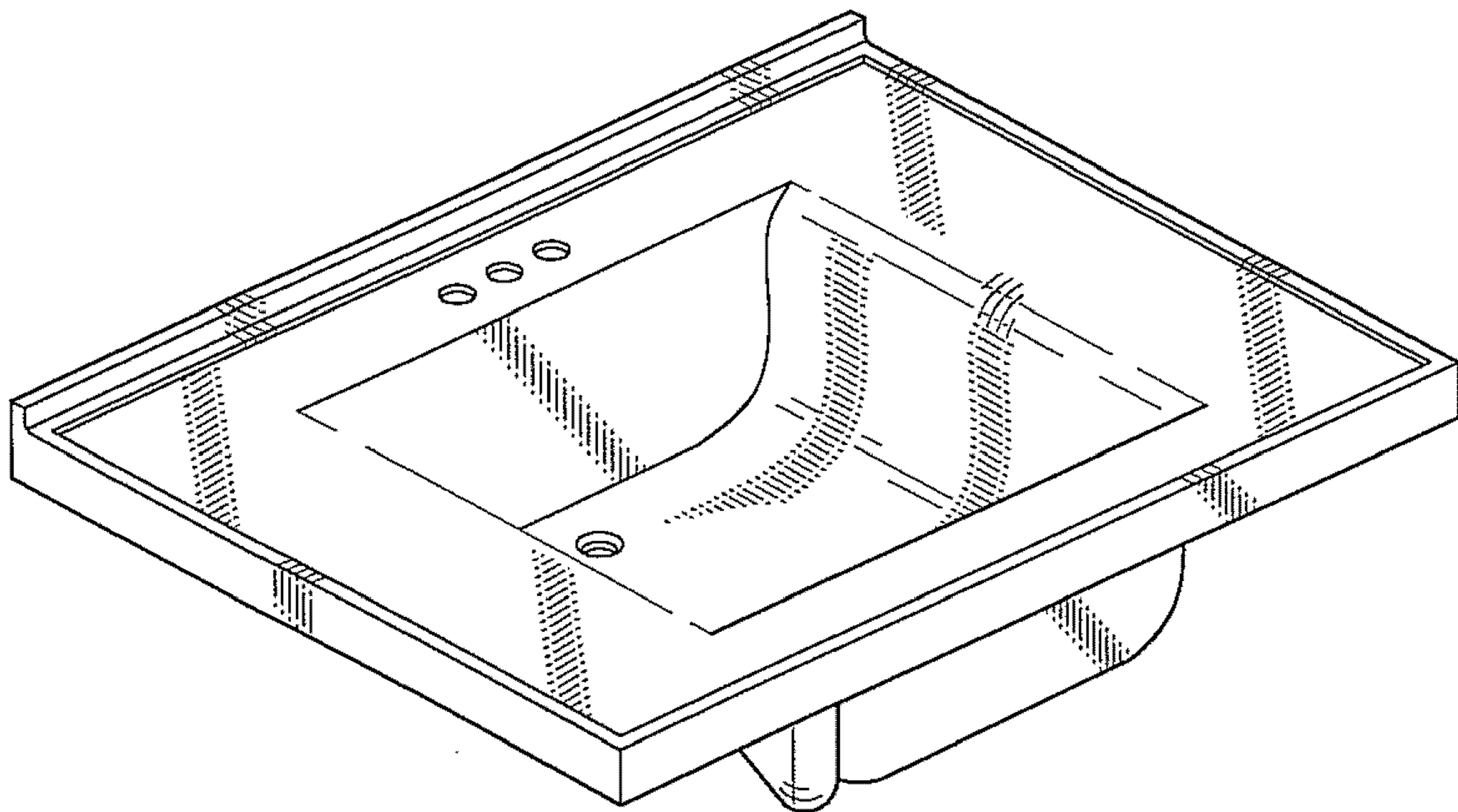


Fig-1

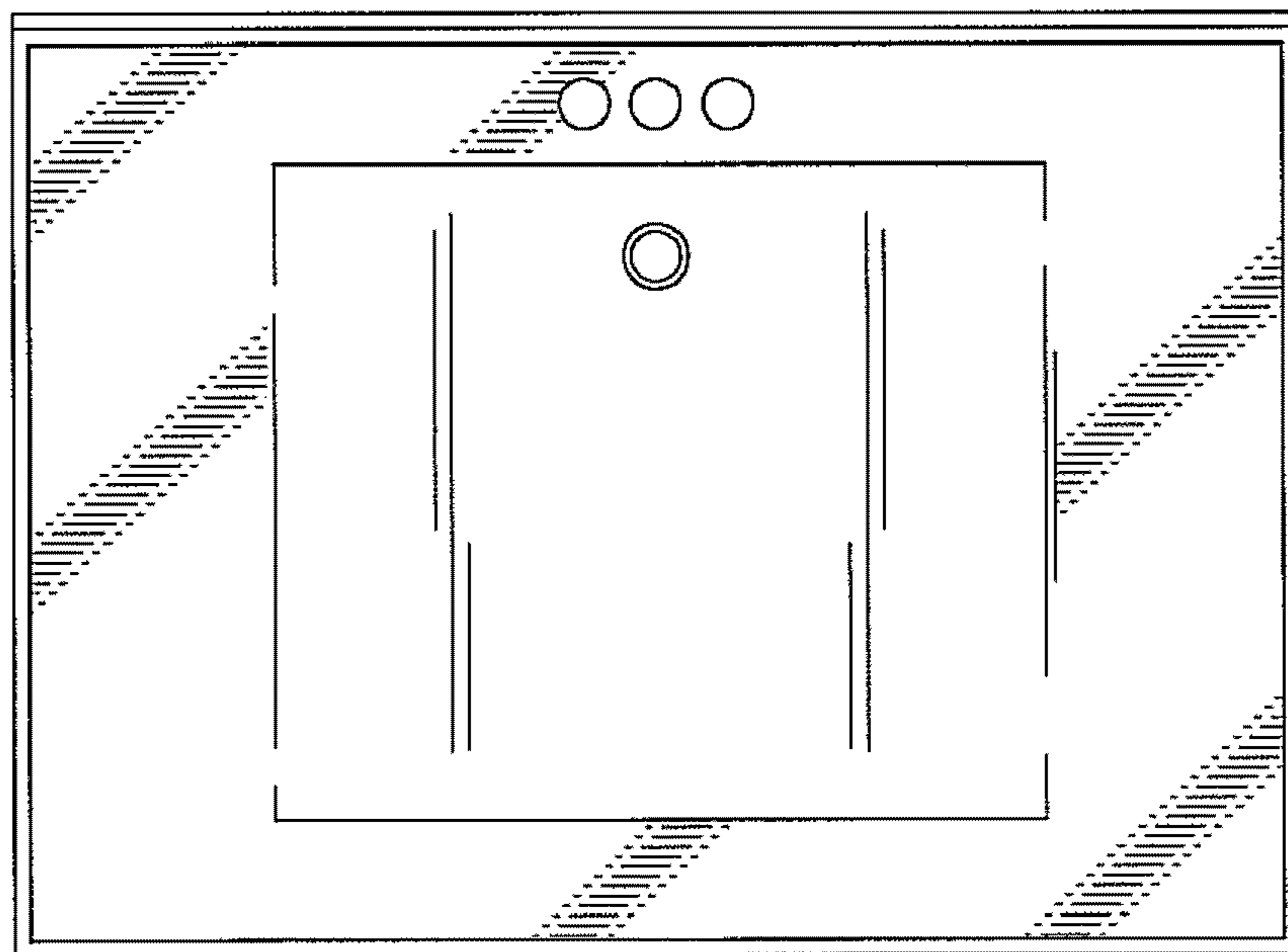


Fig-2

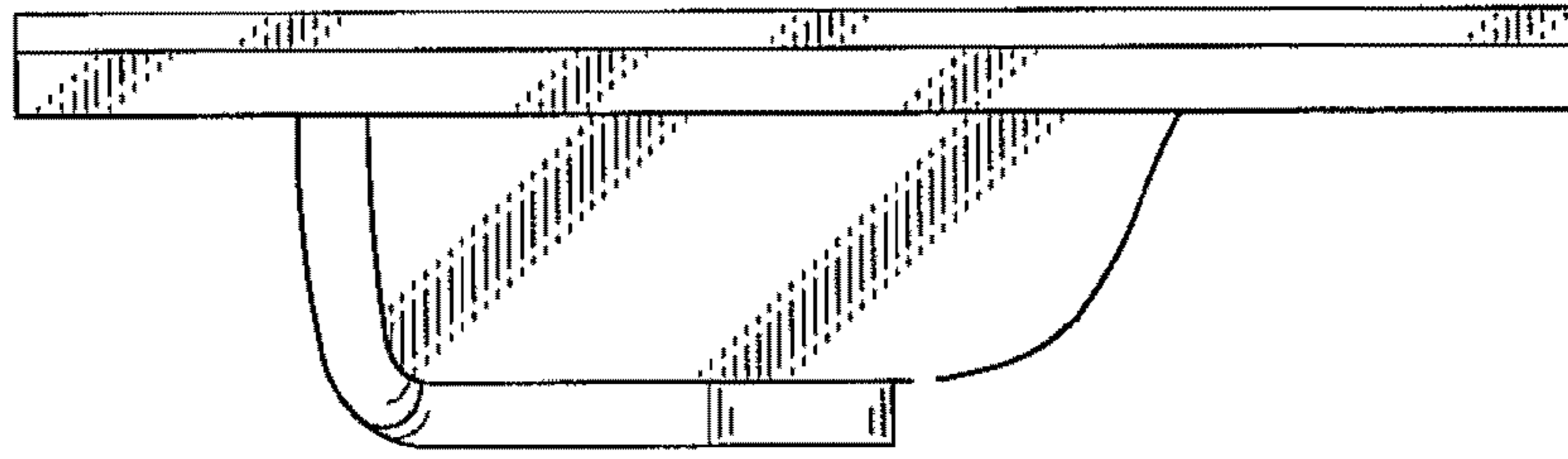


Fig-3

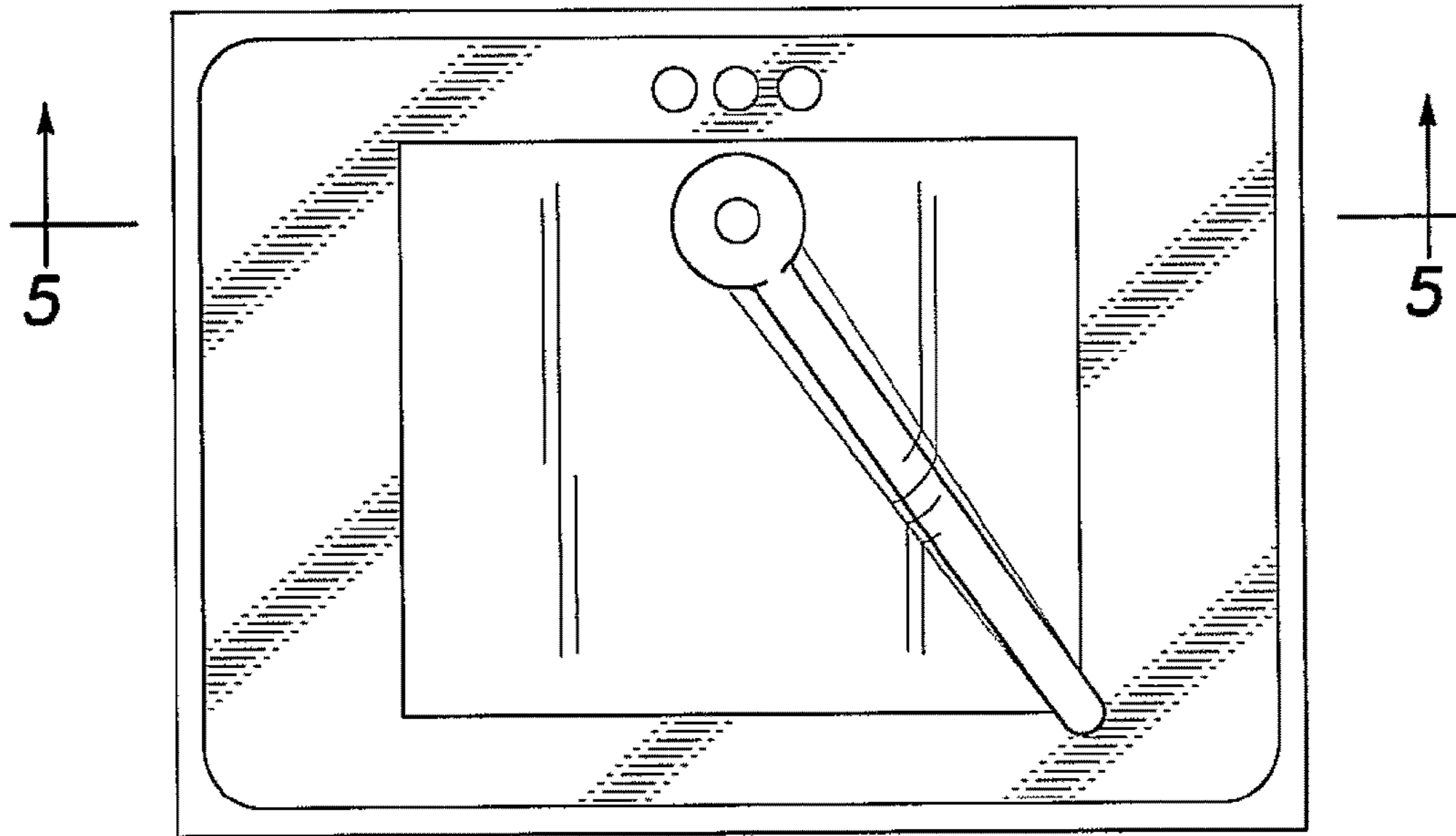


Fig-4

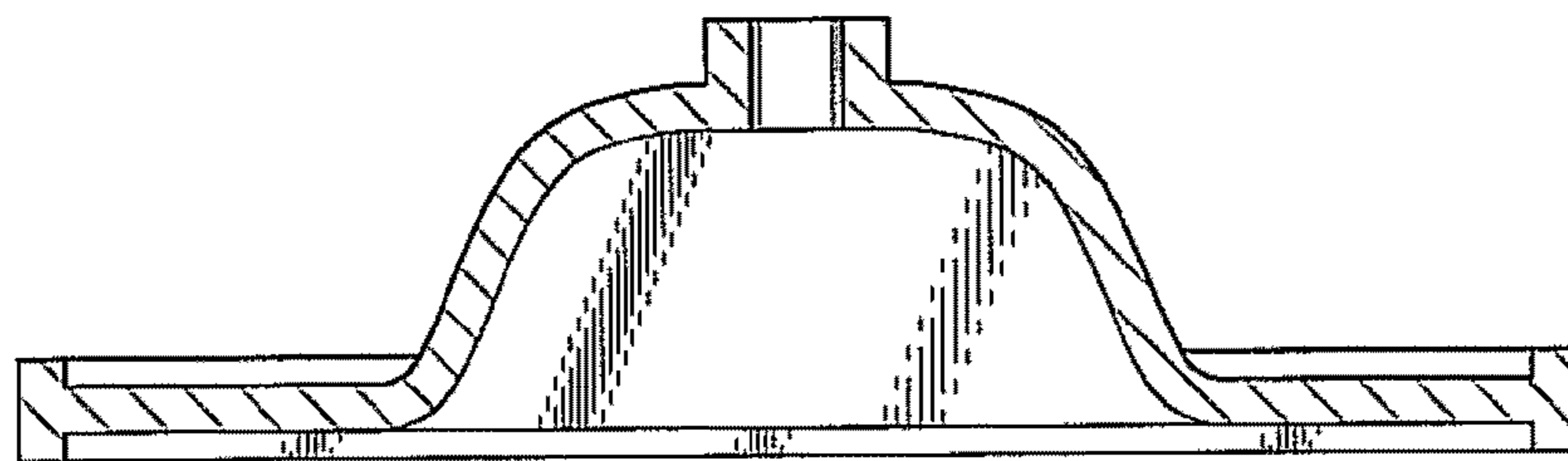


Fig-5

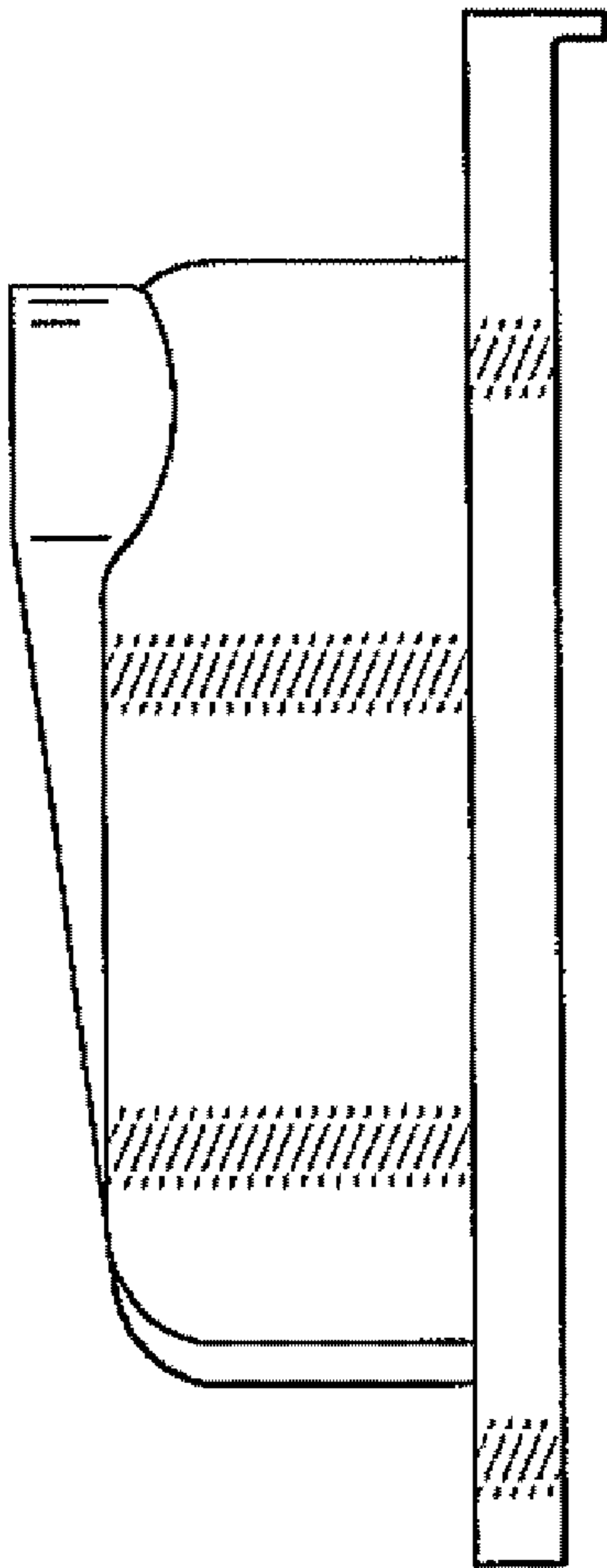


Fig-6

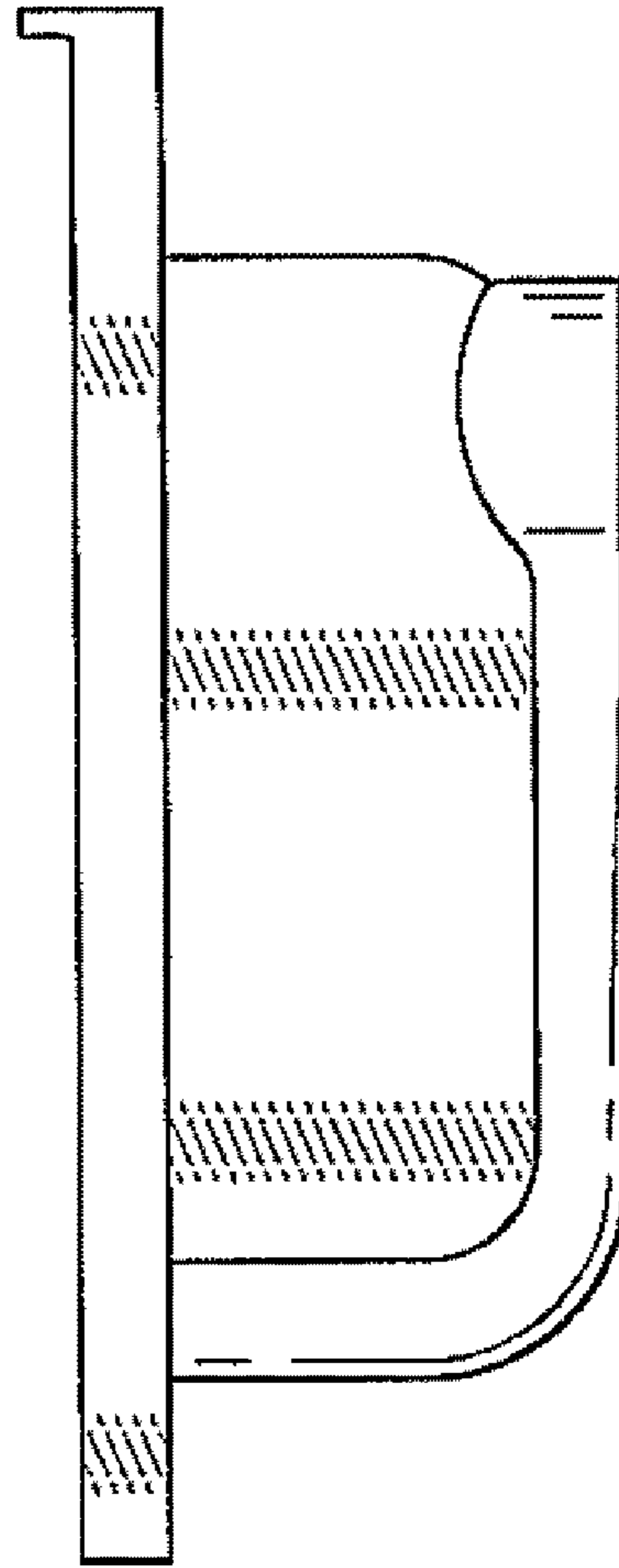


Fig-7