



US00D645945S

(12) **United States Design Patent**  
**Lee**

(10) **Patent No.:** **US D645,945 S**

(45) **Date of Patent:** **\*\* Sep. 27, 2011**

(54) **FILTER SUPPORT PIPE FOR BUBBLE GENERATOR**

(75) Inventor: **Yong-Dae Lee**, Seoul (KR)

(73) Assignee: **Apollo Industrial Co., Ltd.**, Siheung-si, Gyenggi-do (KR)

(\*\*) Term: **14 Years**

(21) Appl. No.: **29/366,363**

(22) Filed: **Jul. 23, 2010**

(51) **LOC (9) Cl.** ..... **23-01**

(52) **U.S. Cl.** ..... **D23/266**

(58) **Field of Classification Search** ..... D23/266,  
D23/277; D24/201, 204, 205; 601/154-158,  
601/168; 4/541.1-541.6, 547, 578.1, 579;  
239/225.1, 251, 261, 263.1, 264, 380, 381,  
239/382

See application file for complete search history.

(56) **References Cited**

U.S. PATENT DOCUMENTS

3,336,921	A *	8/1967	Lloyd	601/167
D278,082	S *	3/1985	Cowley	D23/210
D311,250	S *	10/1990	Yamasaki	D24/201
D320,841	S *	10/1991	Breadmont	D23/262
5,110,512	A *	5/1992	Kwon	261/122.1
5,197,153	A *	3/1993	Hara	4/541.4
D445,046	S *	7/2001	Kravtsov	D10/81
6,453,484	B1 *	9/2002	Pinciaro	4/541.6
6,655,664	B2 *	12/2003	Chuang	261/62
6,786,251	B2 *	9/2004	Nadel et al.	141/98
7,108,202	B1 *	9/2006	Chang	239/380
D569,955	S *	5/2008	Chen	D23/262

7,651,075	B2 *	1/2010	Rho et al.	261/91
7,832,028	B2 *	11/2010	Yayama et al.	4/541.4
2003/0201552	A1 *	10/2003	Chuang	261/62
2004/0094228	A1 *	5/2004	Nadel et al.	141/98
2004/0223895	A1 *	11/2004	Wu	422/305
2008/0072373	A1 *	3/2008	Yayama et al.	4/541.4
2008/0296788	A1 *	12/2008	Rho et al.	261/93

\* cited by examiner

*Primary Examiner* — T. Chase Nelson

*Assistant Examiner* — Eric Goodman

(74) *Attorney, Agent, or Firm* — Kile Park Goekjian Reed & McManus PLLC

(57) **CLAIM**

I claim, the ornamental design for a filter support pipe for bubble generator, as shown and described.

**DESCRIPTION**

FIG. 1 is a perspective view of a filter support pipe for bubble generator, showing my new design;  
 FIG. 2 is a front elevational view thereof;  
 FIG. 3 is a rear elevational view thereof;  
 FIG. 4 is a left side elevational view thereof;  
 FIG. 5 is a right side elevational view thereof;  
 FIG. 6 is a top plan view thereof;  
 FIG. 7 is a bottom plan view thereof;  
 FIG. 8 is a perspective view showing the bottom of the filter support pipe for bubble generator;  
 FIG. 9 is a cross-sectional view thereof taken along line '9-9' in FIG. 6; and,  
 FIG. 10 is a perspective view showing the '9-9' sectional view of the filter support pipe for bubble generator.

**1 Claim, 6 Drawing Sheets**

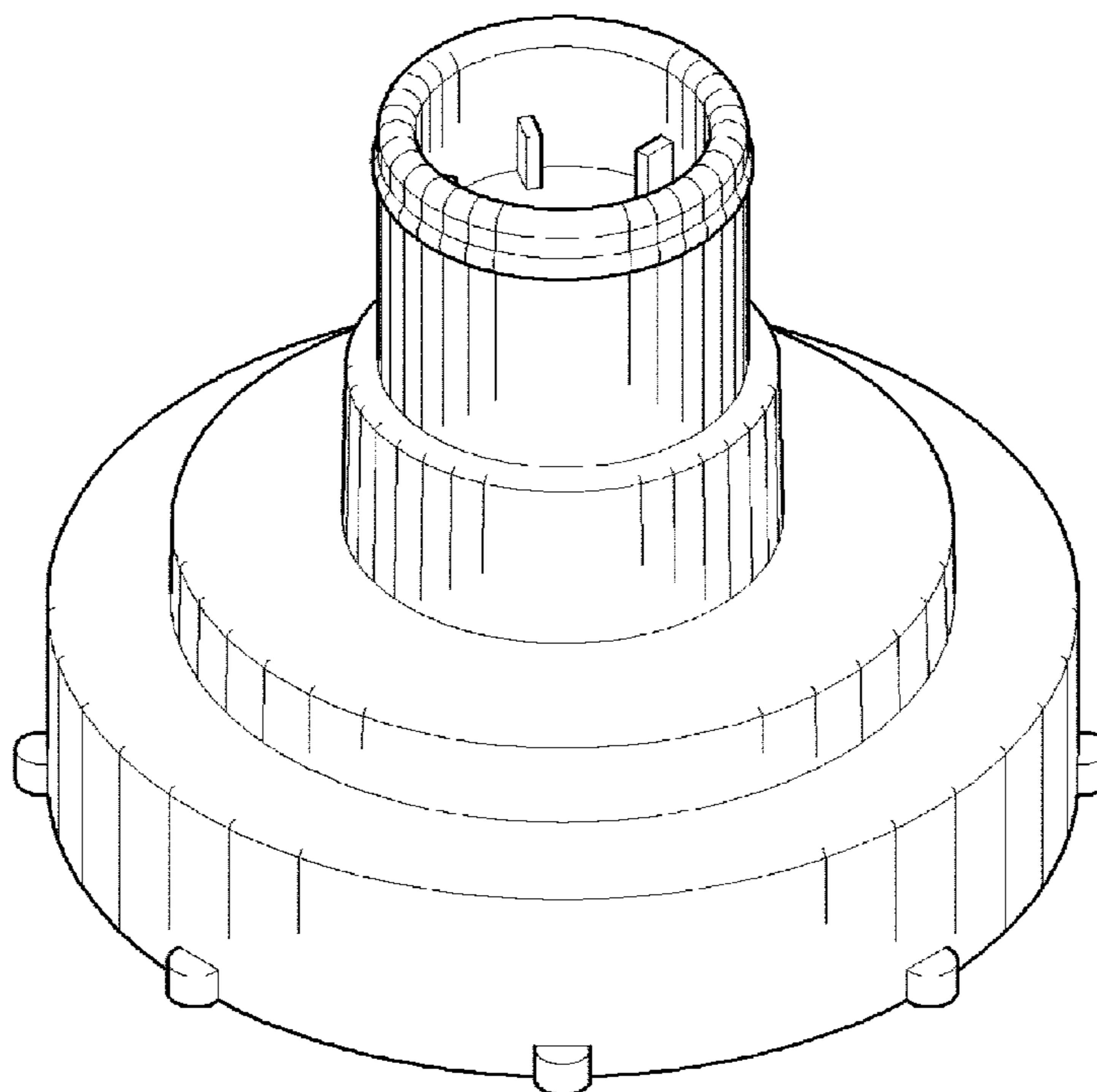


Fig. 1

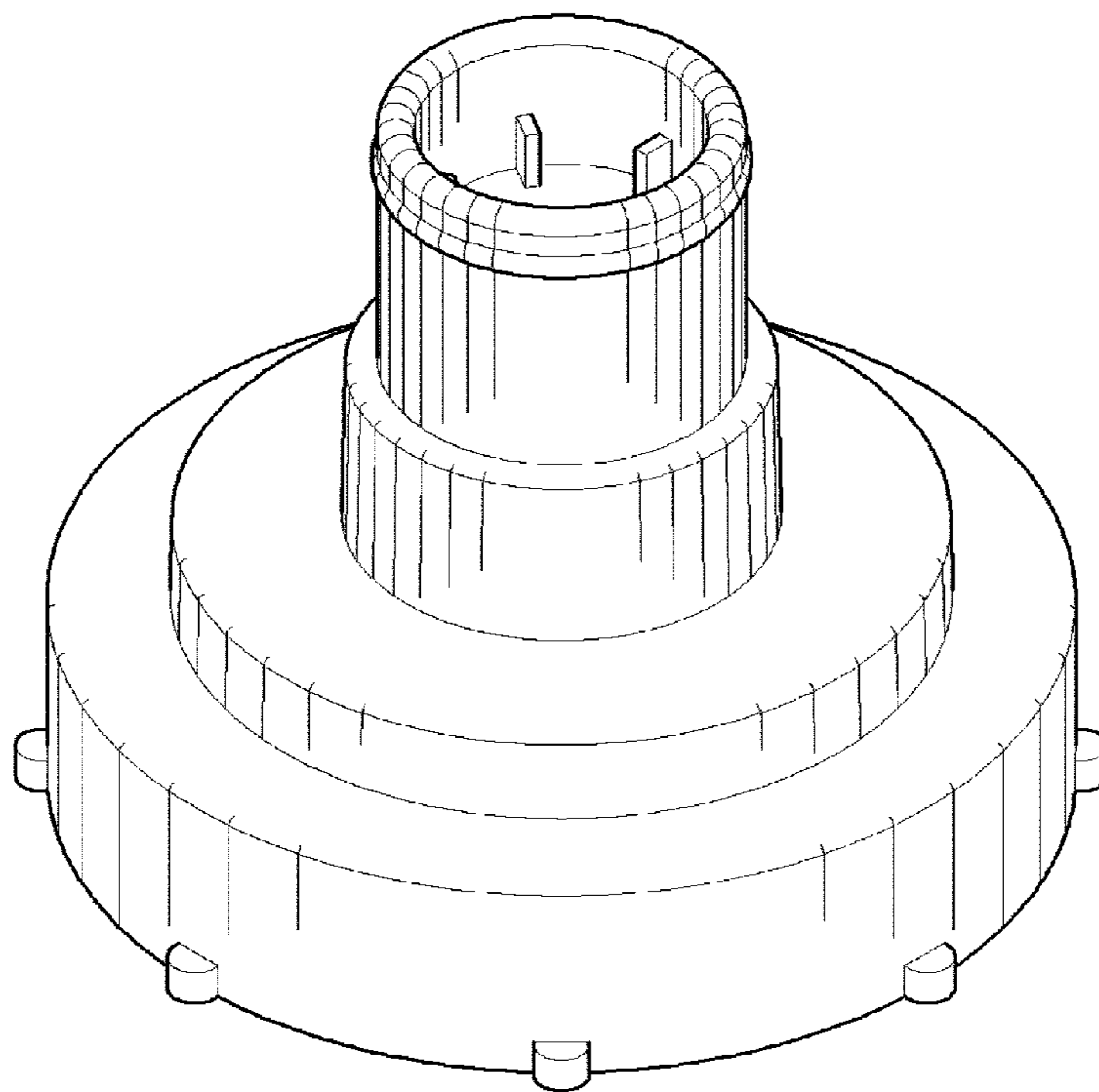


Fig. 2

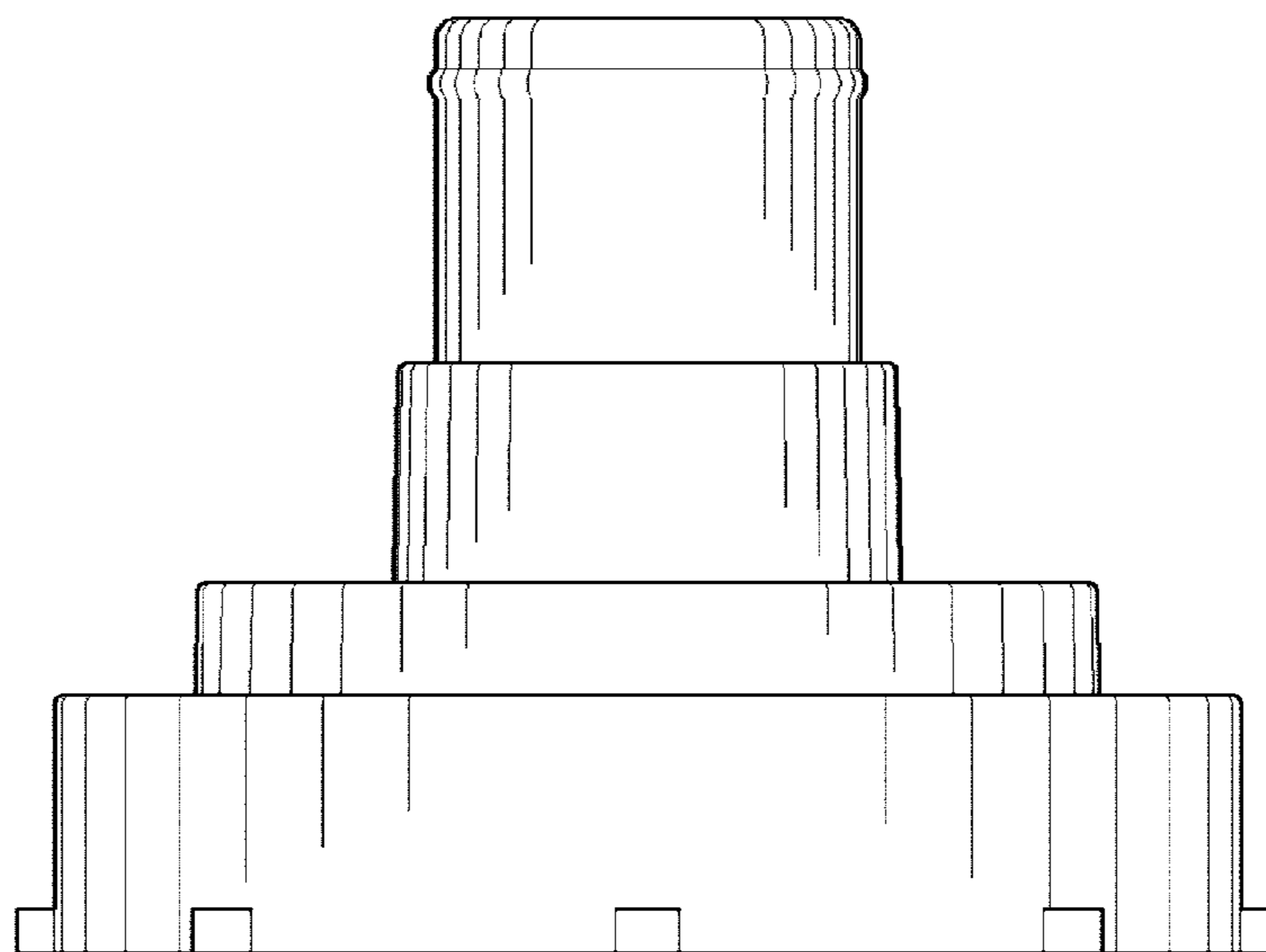


Fig. 3

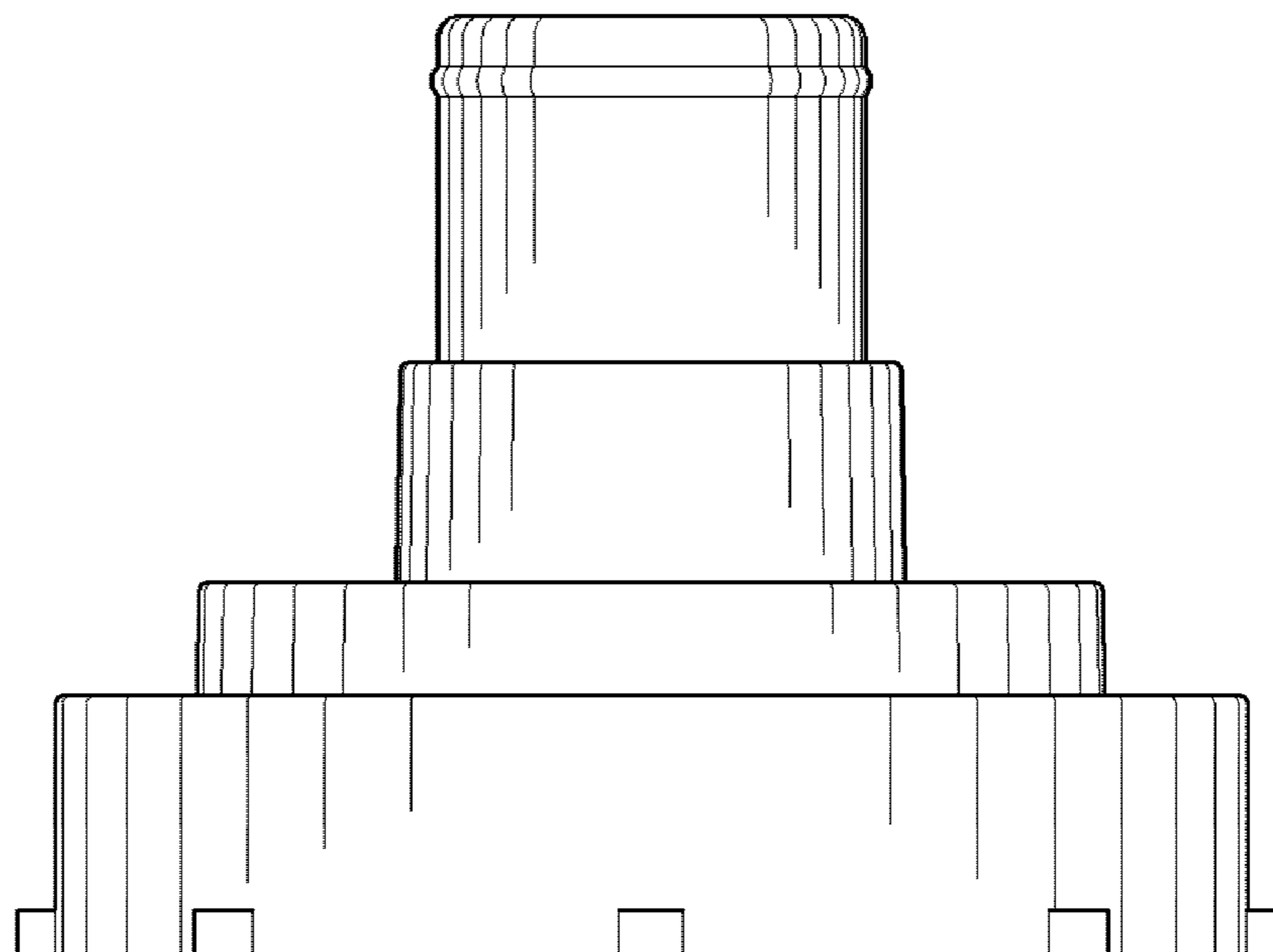


Fig. 4

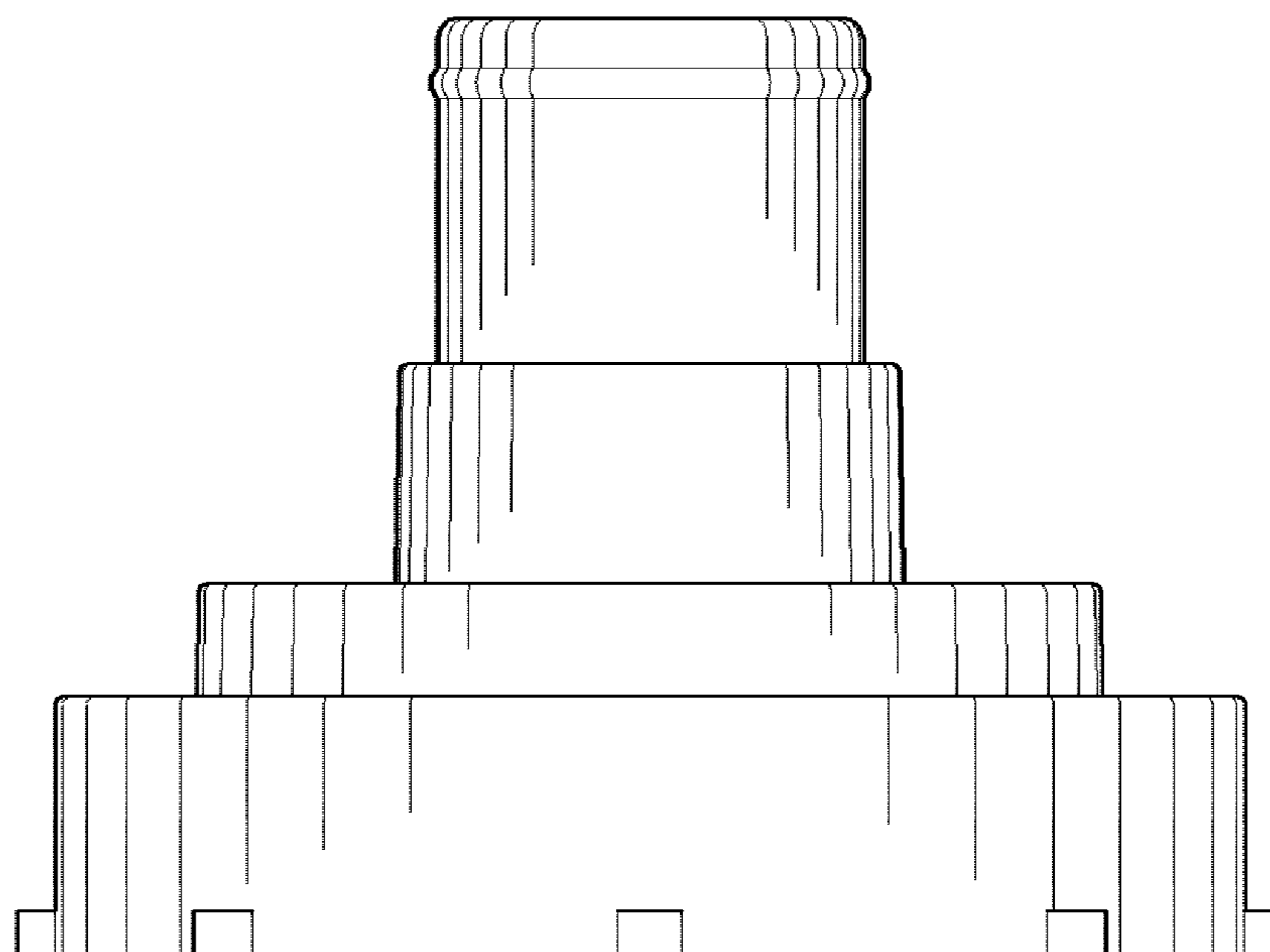


Fig. 5

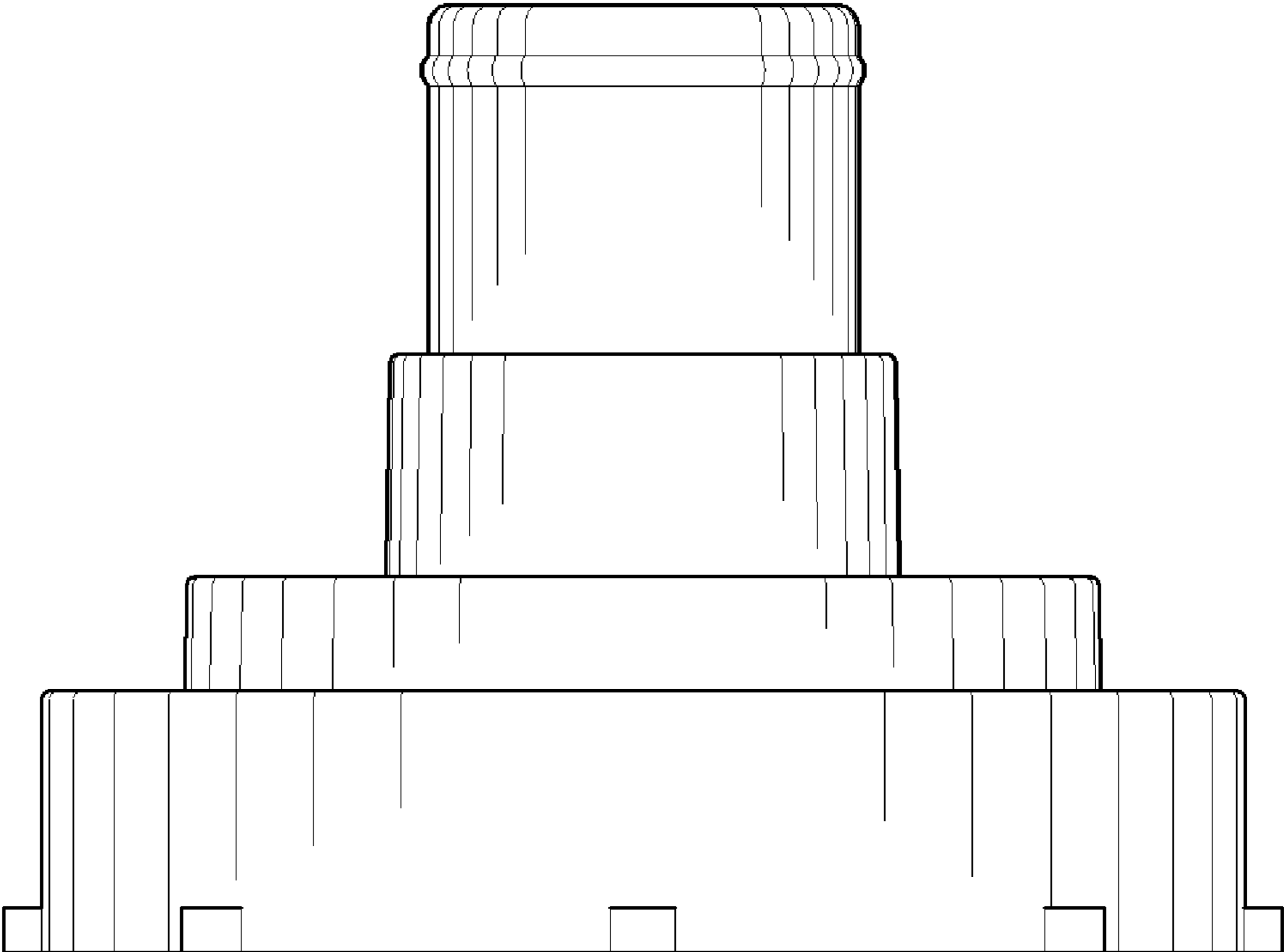


Fig. 6

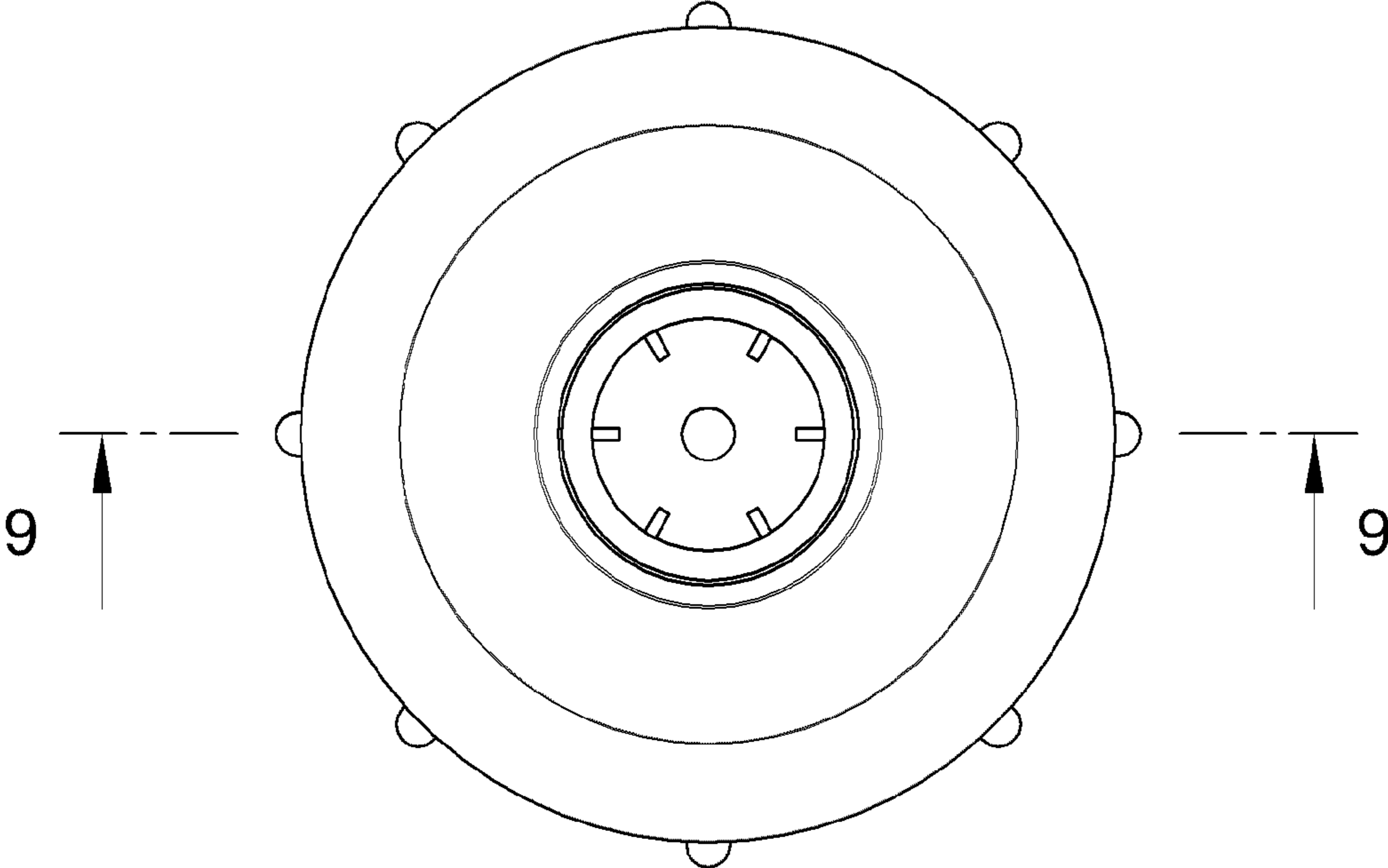
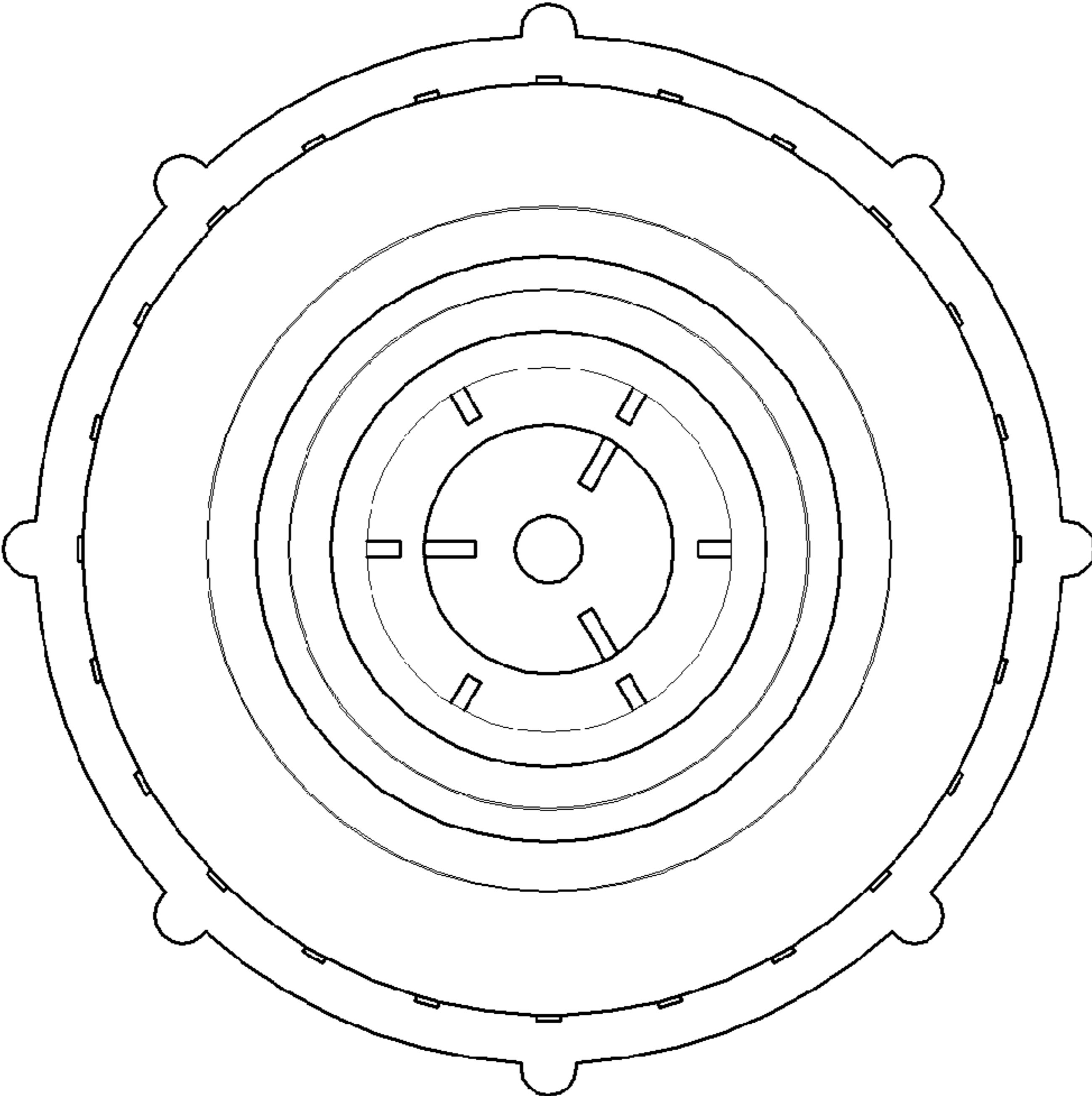
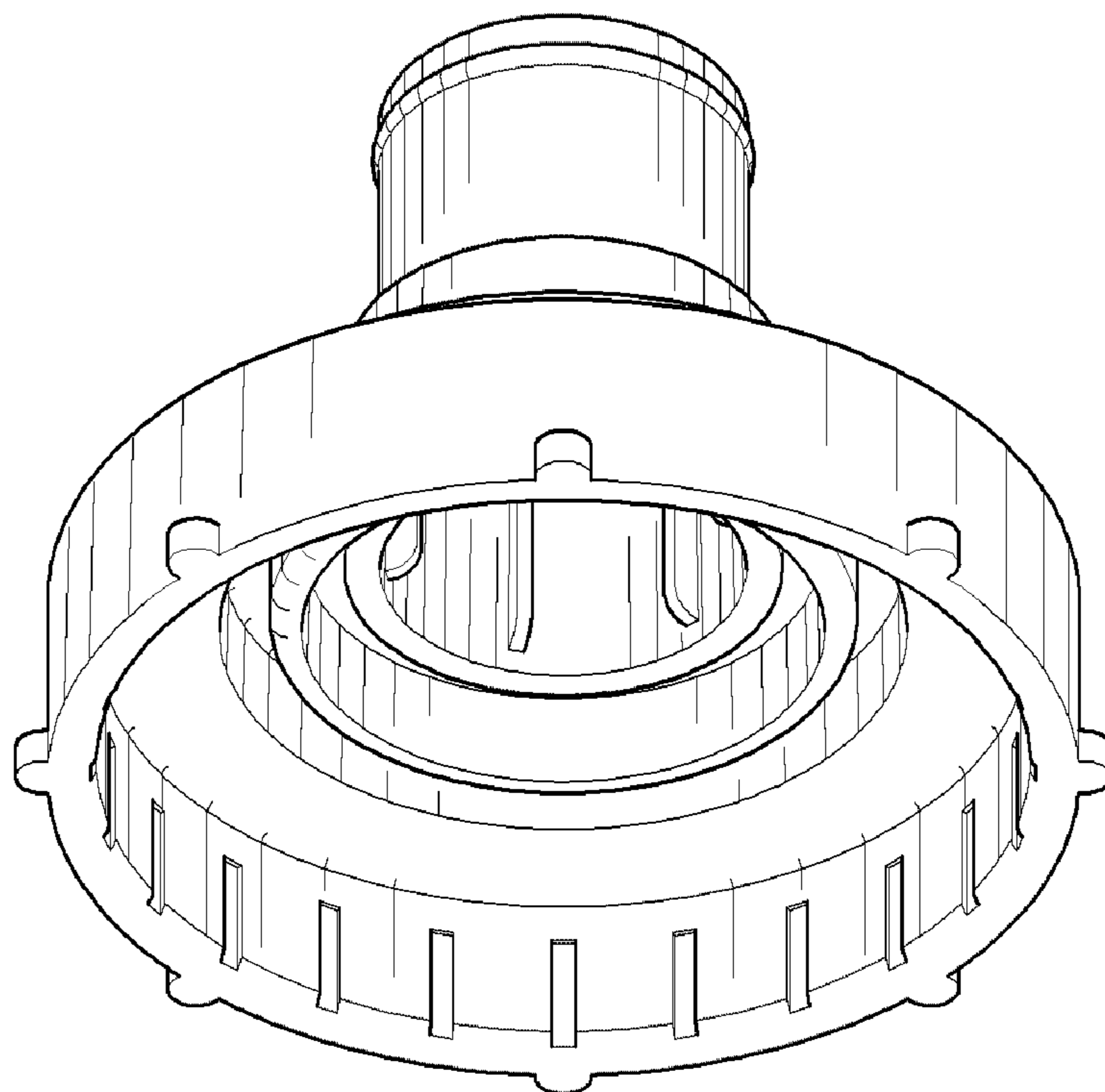


Fig. 7

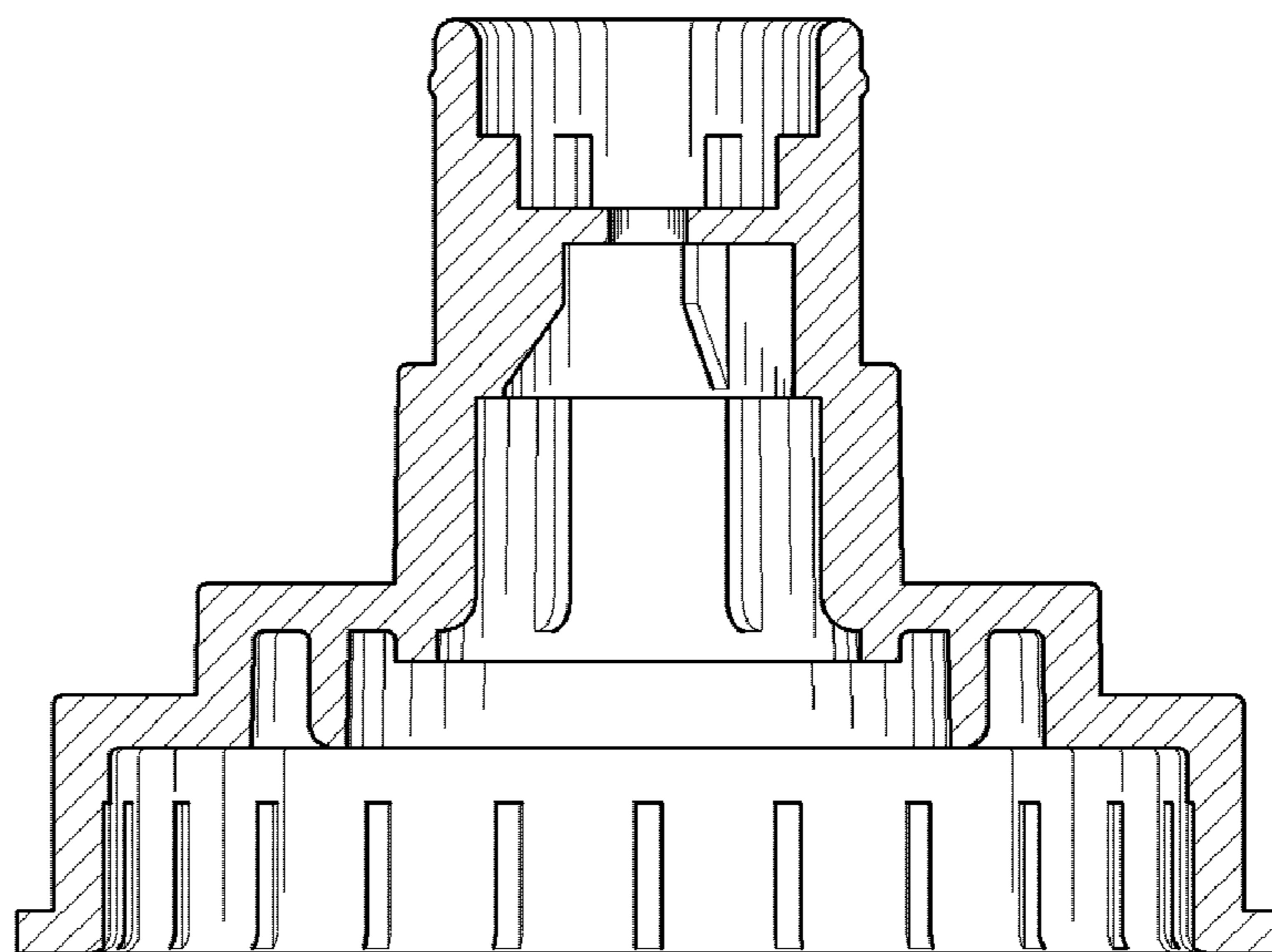




**Fig. 8**



**Fig. 9**



**Fig. 10**

