



US00D645940S

(12) **United States Design Patent**
Ando et al.

(10) **Patent No.:** **US D645,940 S**

(45) **Date of Patent:** **** Sep. 27, 2011**

(54) **FAUCET WITH HANDLE**

(75) Inventors: **Yoshihiko Ando**, Tokoname (JP);
Mikiya Kobayashi, Bunkyo-ku (JP)

(73) Assignee: **LIXIL Corporation**, Tokyo (JP)

(**) Term: **14 Years**

(21) Appl. No.: **29/383,117**

(22) Filed: **Jan. 12, 2011**

(30) **Foreign Application Priority Data**

Jul. 14, 2010 (JP) D2010-017149

(51) **LOC (9) Cl.** **23-01**

(52) **U.S. Cl.** **D23/241**

(58) **Field of Classification Search** D23/238–243,
D23/250, 255; 4/675–678; 137/801
See application file for complete search history.

(56) **References Cited**

U.S. PATENT DOCUMENTS

D297,970 S * 10/1988 Paul D23/242
D511,816 S * 11/2005 Kulig D23/242
D540,912 S * 4/2007 Qing D23/238

D541,382 S * 4/2007 Hoernig D23/241
* cited by examiner

Primary Examiner — Robert Delehanty

(74) *Attorney, Agent, or Firm* — Hamre, Schumann, Mueller
& Larson, P.C.

(57) **CLAIM**

The ornamental design for a faucet with handle, as shown and described.

DESCRIPTION

FIG. 1 is a perspective view of front, right and top plan side of a faucet with handle showing our new design;

FIG. 2 is a front view thereof;

FIG. 3 is a rear view thereof;

FIG. 4 is a top plan view thereof;

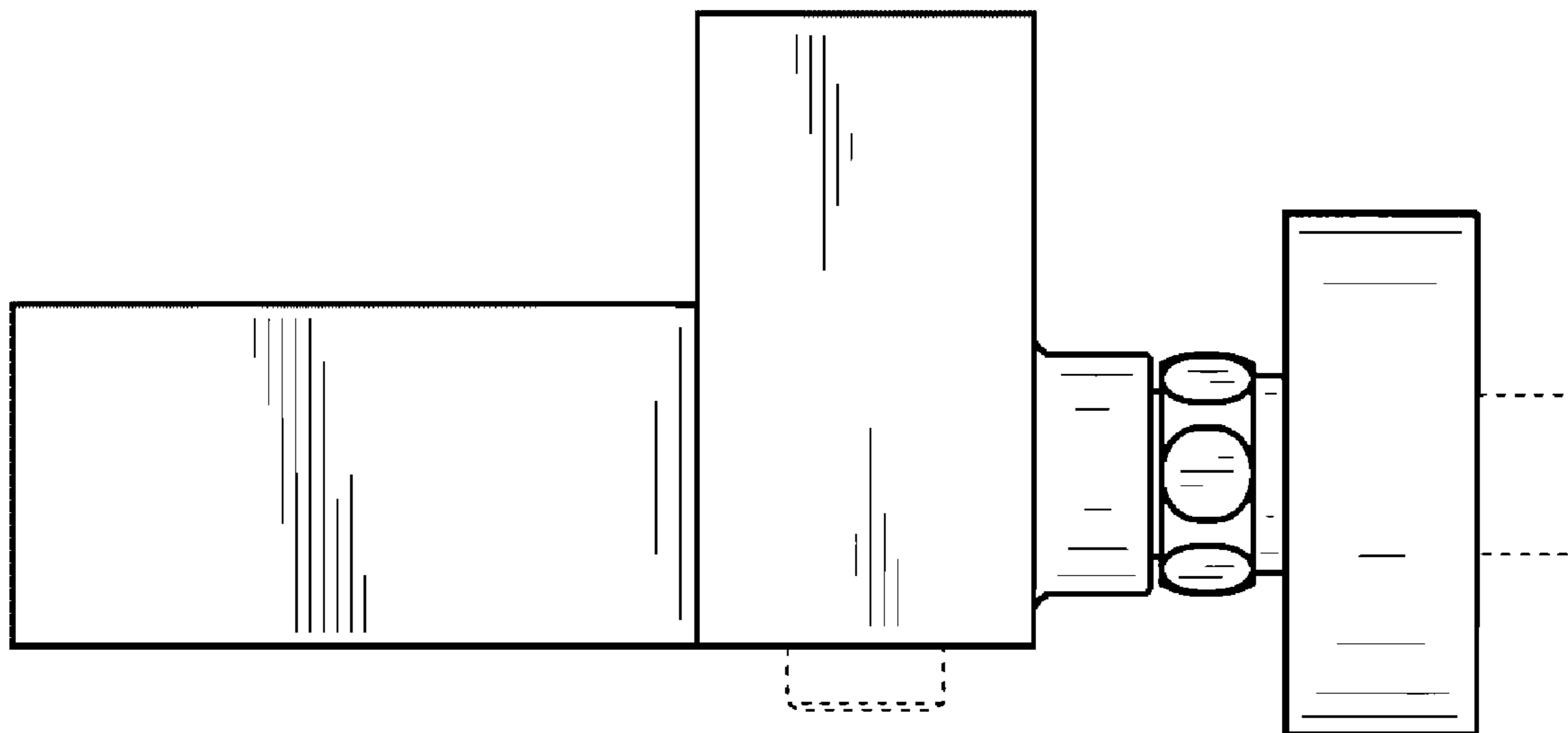
FIG. 5 is a bottom view thereof;

FIG. 6 is a left side view thereof; and,

FIG. 7 is a right side view thereof.

The portions of the article in broken lines are shown for illustrative purposes only and form no part of the claimed design.

1 Claim, 5 Drawing Sheets



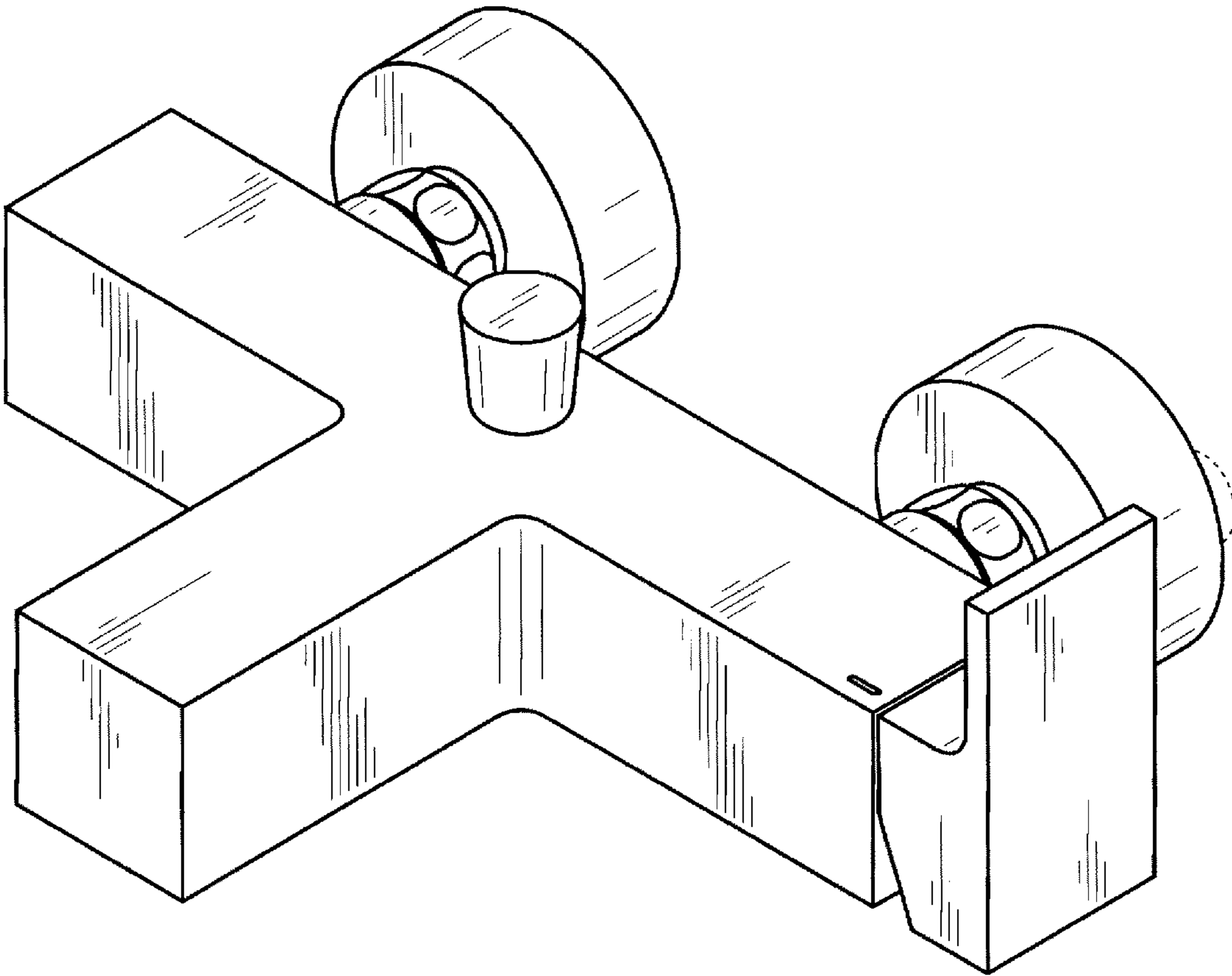


FIG. 1

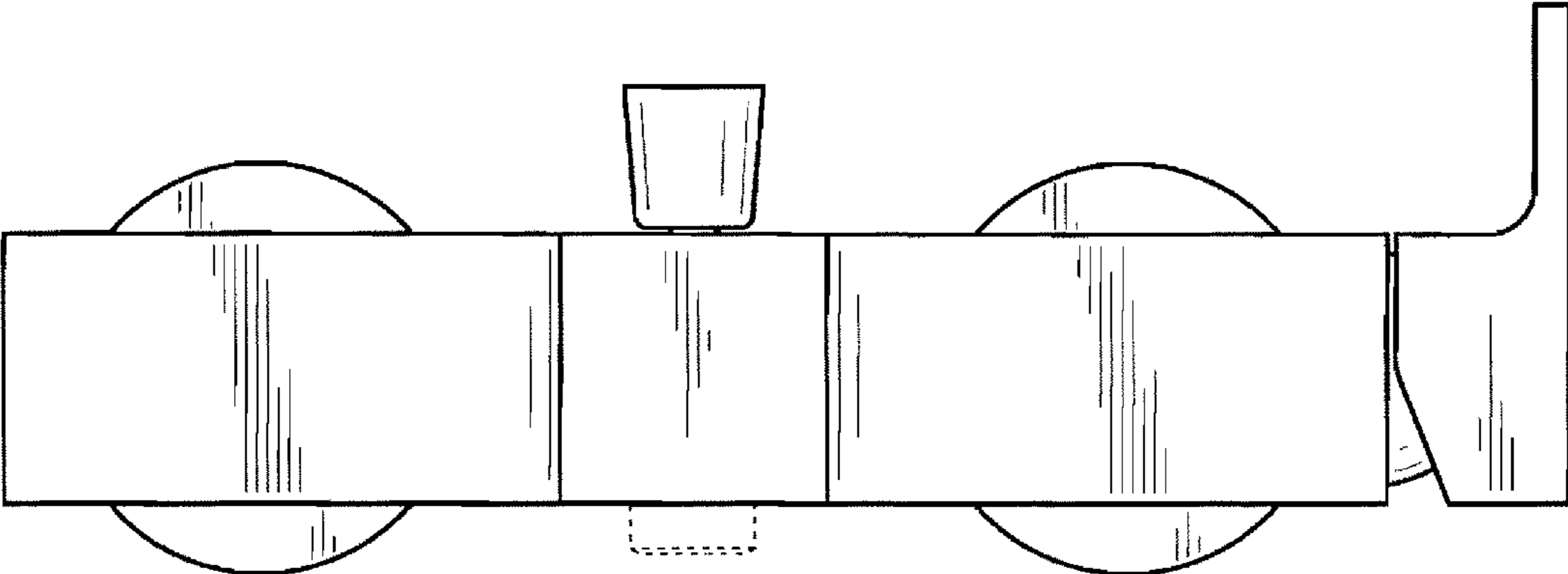


FIG. 2

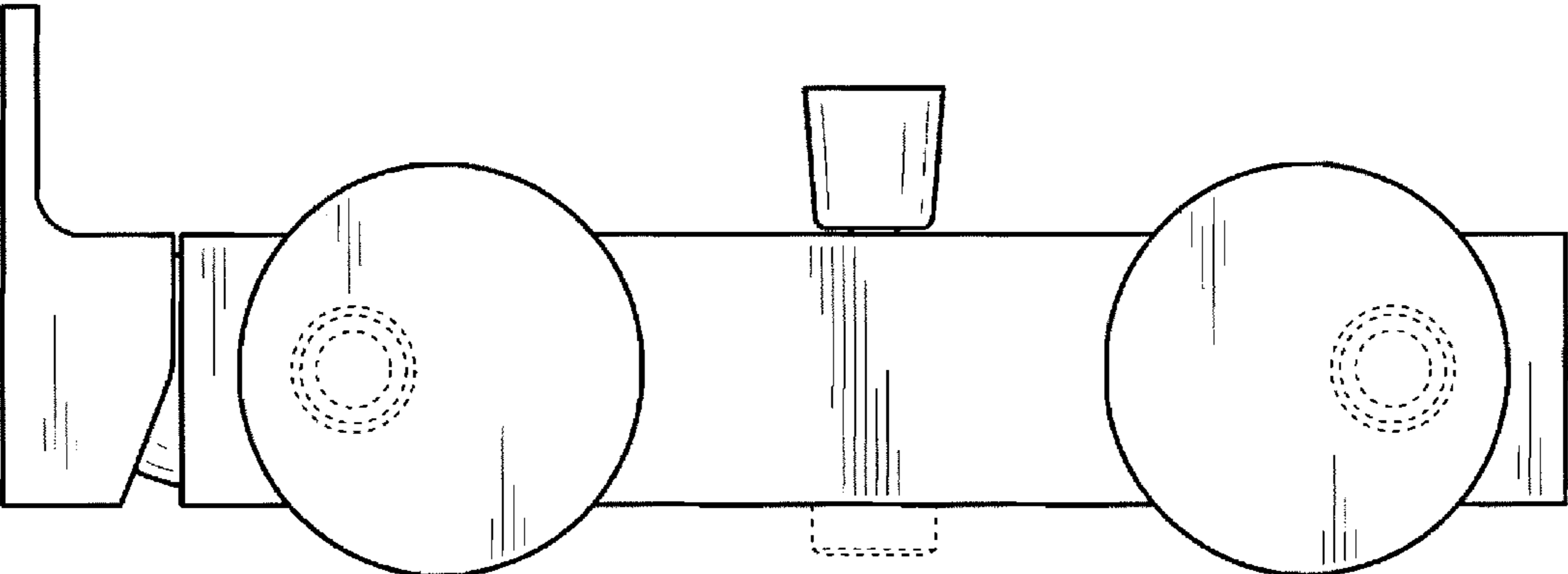


FIG. 3

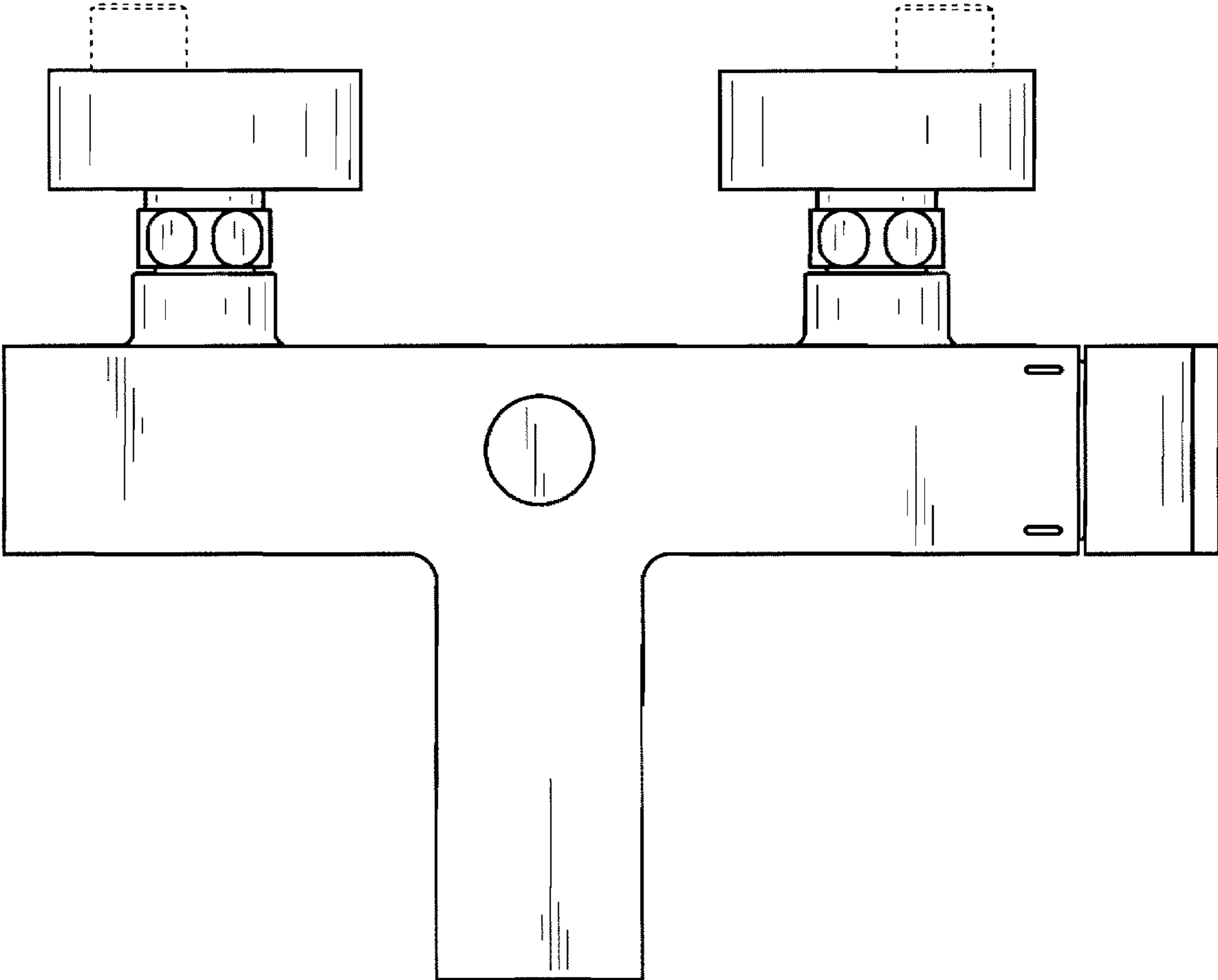


FIG. 4

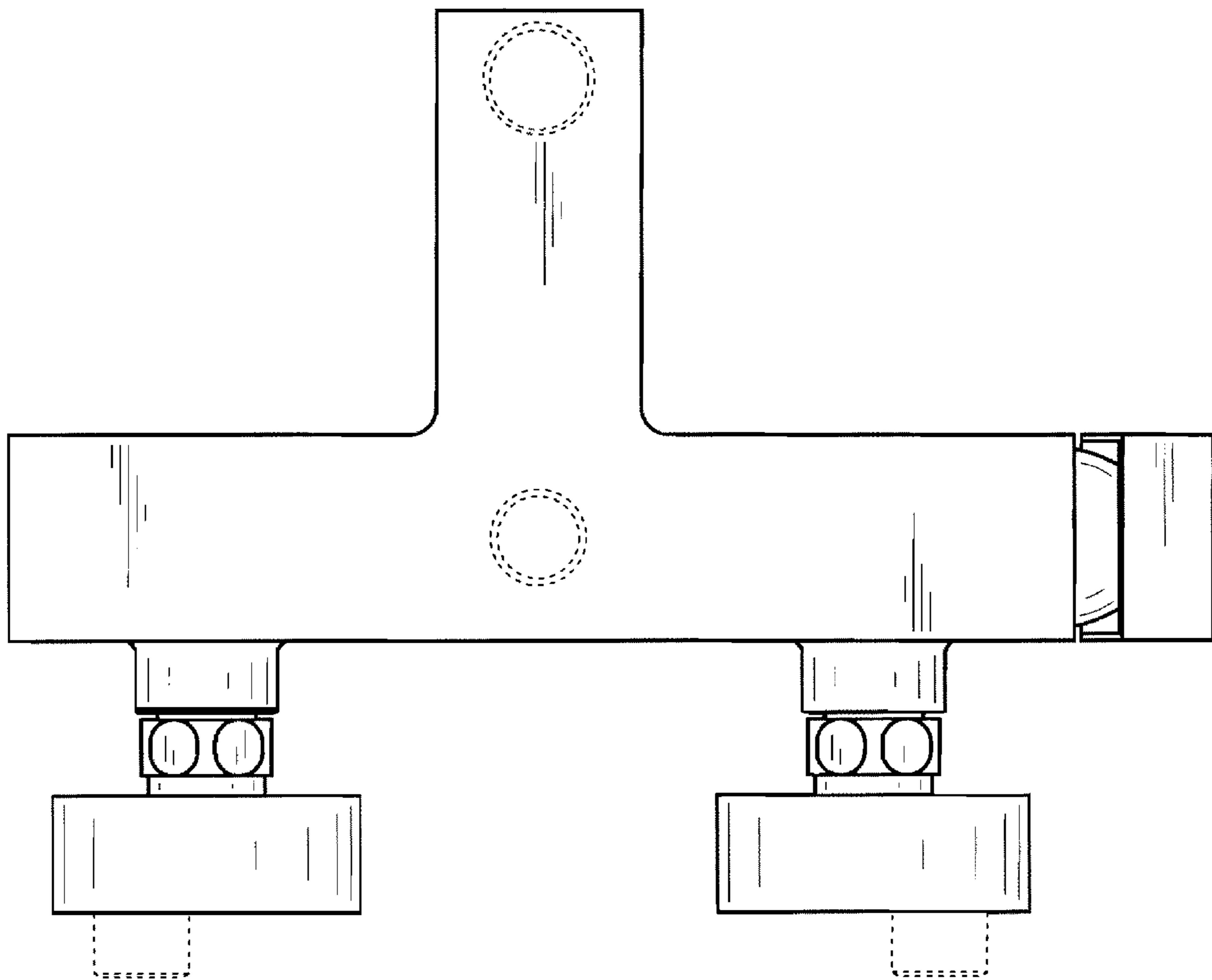


FIG. 5

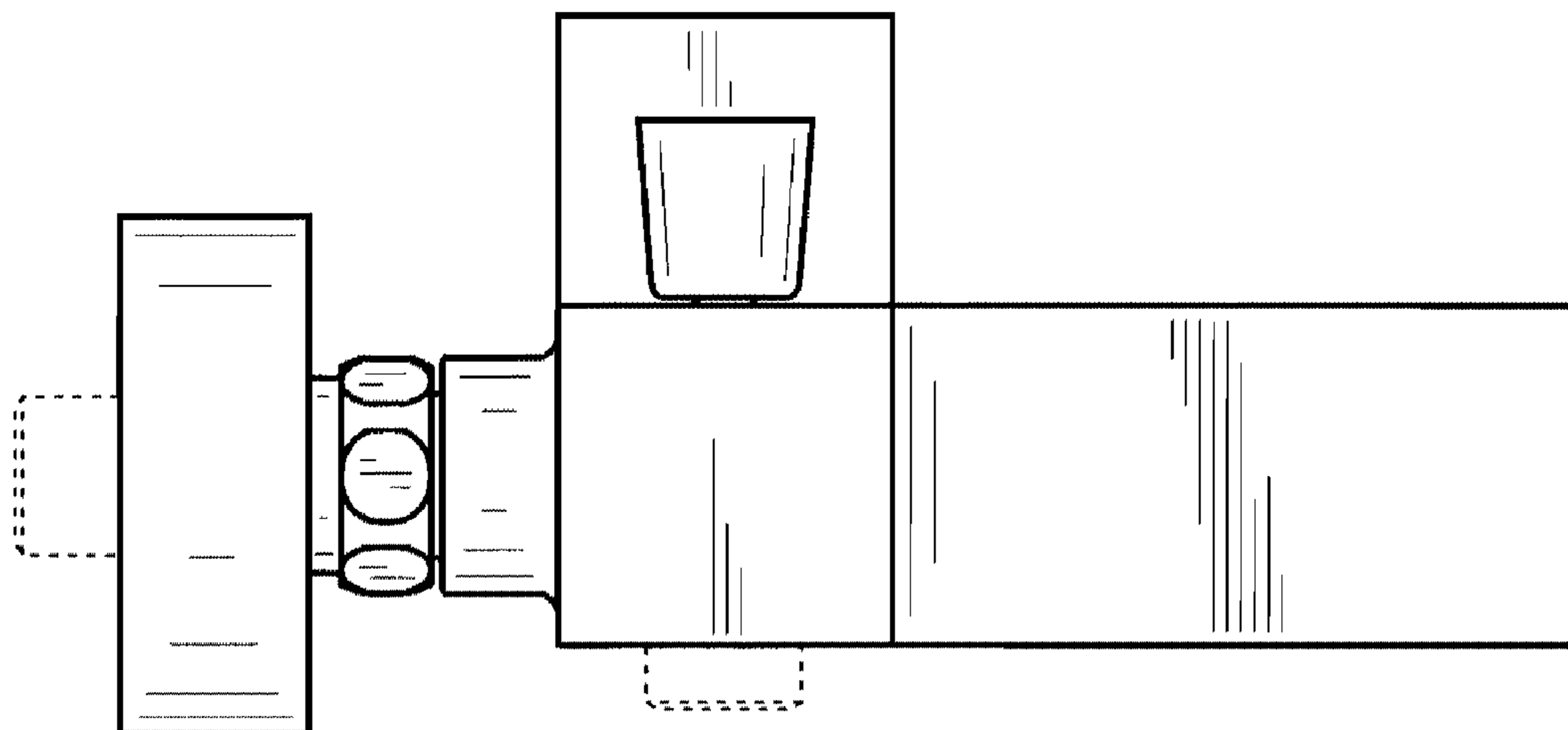


FIG. 6



FIG. 7