



US00D645939S

(12) **United States Design Patent**  
**Huang**

(10) **Patent No.:** **US D645,939 S**

(45) **Date of Patent:** **\*\* Sep. 27, 2011**

(54) **FAUCET SPOUT**

(75) **Inventor:** **Li-Chen Huang**, Changhua (TW)

(73) **Assignee:** **Alexander Yeh Industry Co., Ltd.**,  
Changhua (TW)

(\*\*) **Term:** **14 Years**

(21) **Appl. No.:** **29/391,243**

(22) **Filed:** **May 5, 2011**

(51) **LOC (9) Cl.** ..... **02-01**

(52) **U.S. Cl.** ..... **D23/238**

(58) **Field of Classification Search** ..... D23/255,  
D23/257, 238-243; 4/678; 137/801  
See application file for complete search history.

(56) **References Cited**

**U.S. PATENT DOCUMENTS**

3,079,093 A \* 2/1963 Bellows ..... 239/314  
D508,979 S \* 8/2005 Otero ..... D23/255

D626,199 S \* 10/2010 Huang ..... D23/255  
\* cited by examiner

*Primary Examiner* — Robert Delehanty

(74) *Attorney, Agent, or Firm* — Che-Yang Chen; Law  
Office of Michael Chen

(57) **CLAIM**

The ornamental design for a faucet spout, as shown and  
described.

**DESCRIPTION**

FIG. 1 is a perspective view of a faucet spout showing my new  
design;

FIG. 2 is a front view of the embodiment shown in FIG. 1;

FIG. 3 is a rear view of the embodiment shown in FIG. 1;

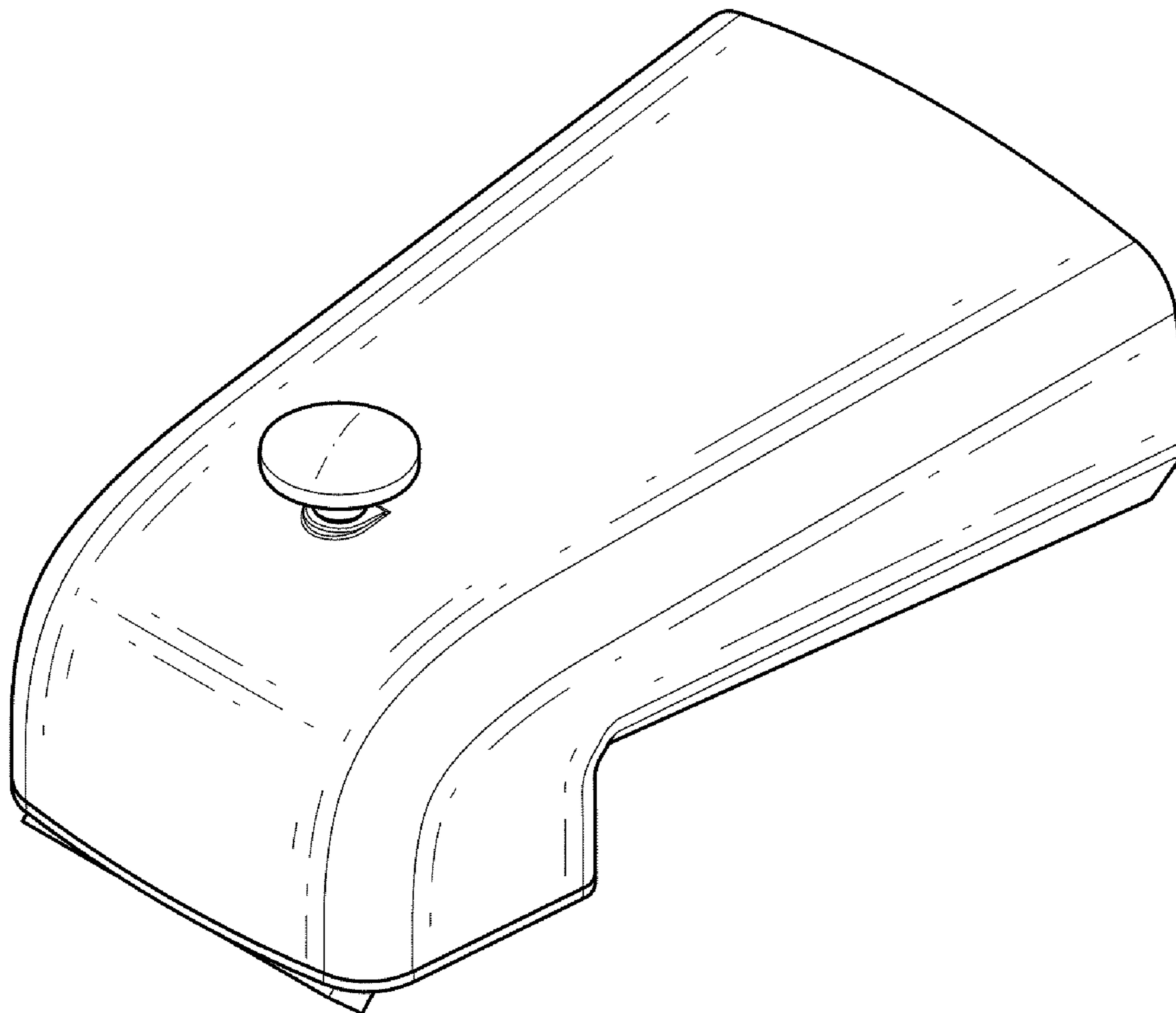
FIG. 4 is a left side view of the embodiment shown in FIG. 1;

FIG. 5 is a right side view of the embodiment shown in FIG.  
1;

FIG. 6 is a top view of the embodiment shown in FIG. 1; and,

FIG. 7 is a bottom view of the embodiment shown in FIG. 1.

**1 Claim, 4 Drawing Sheets**



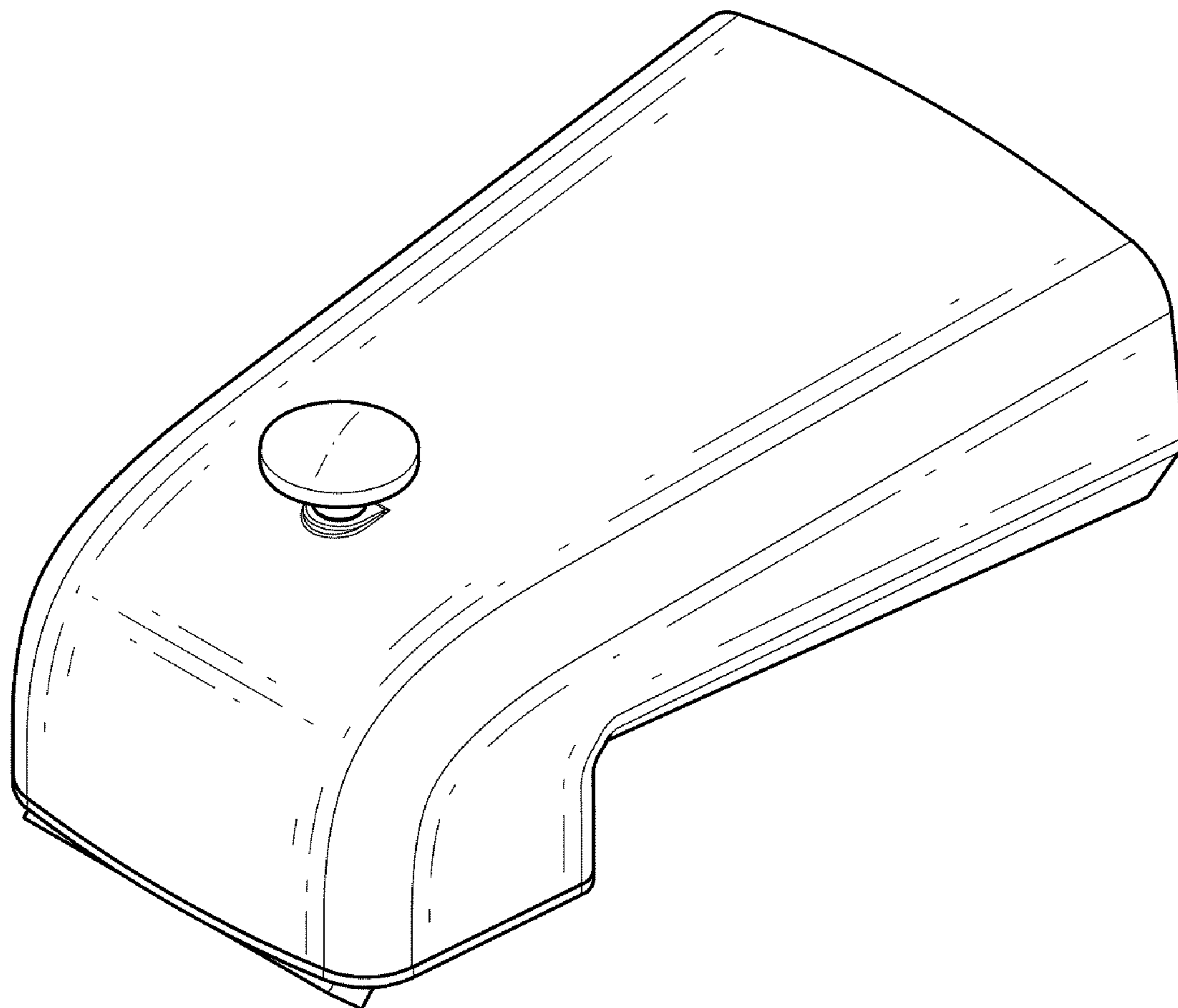


FIG. 1

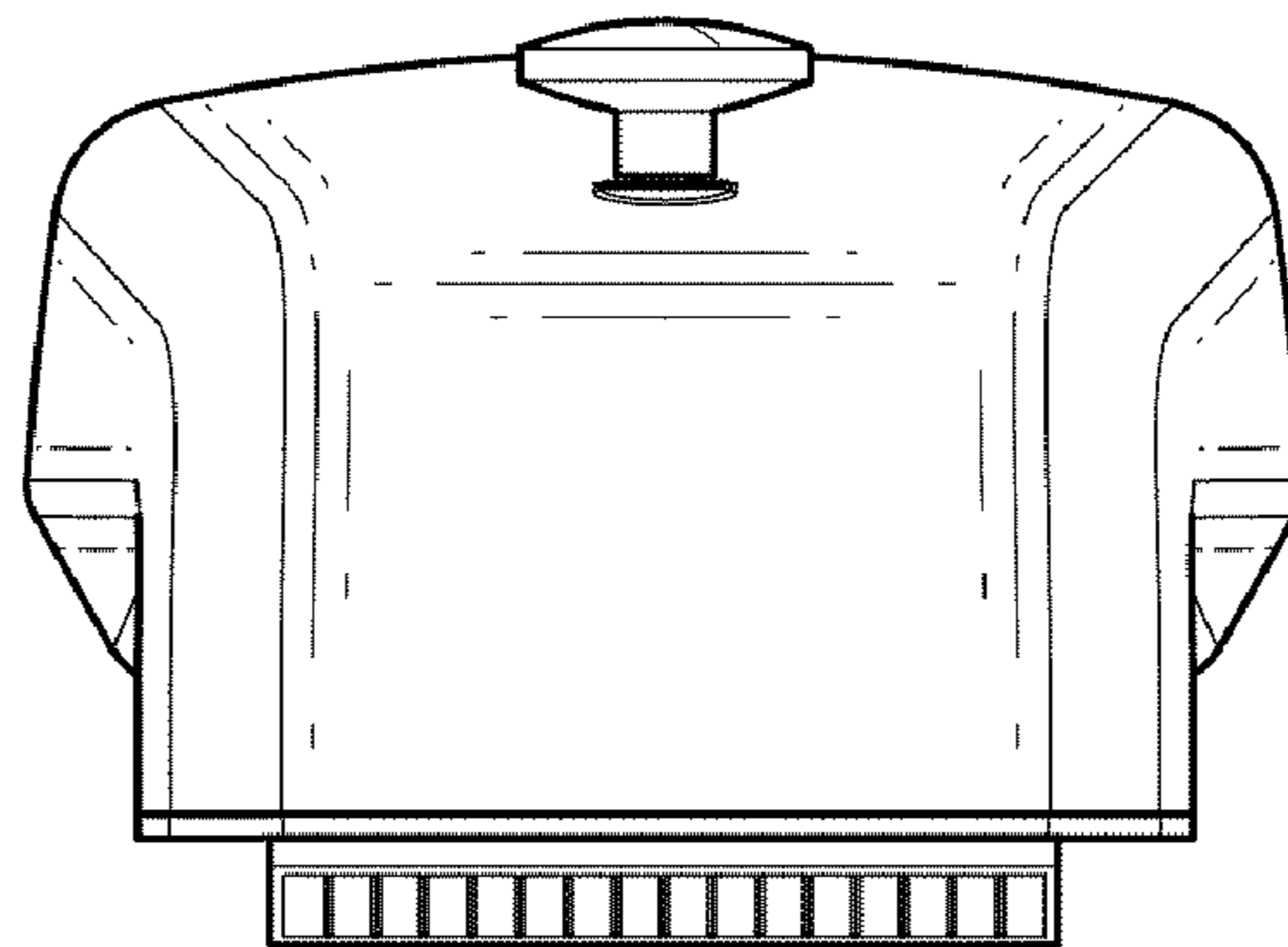


FIG. 2

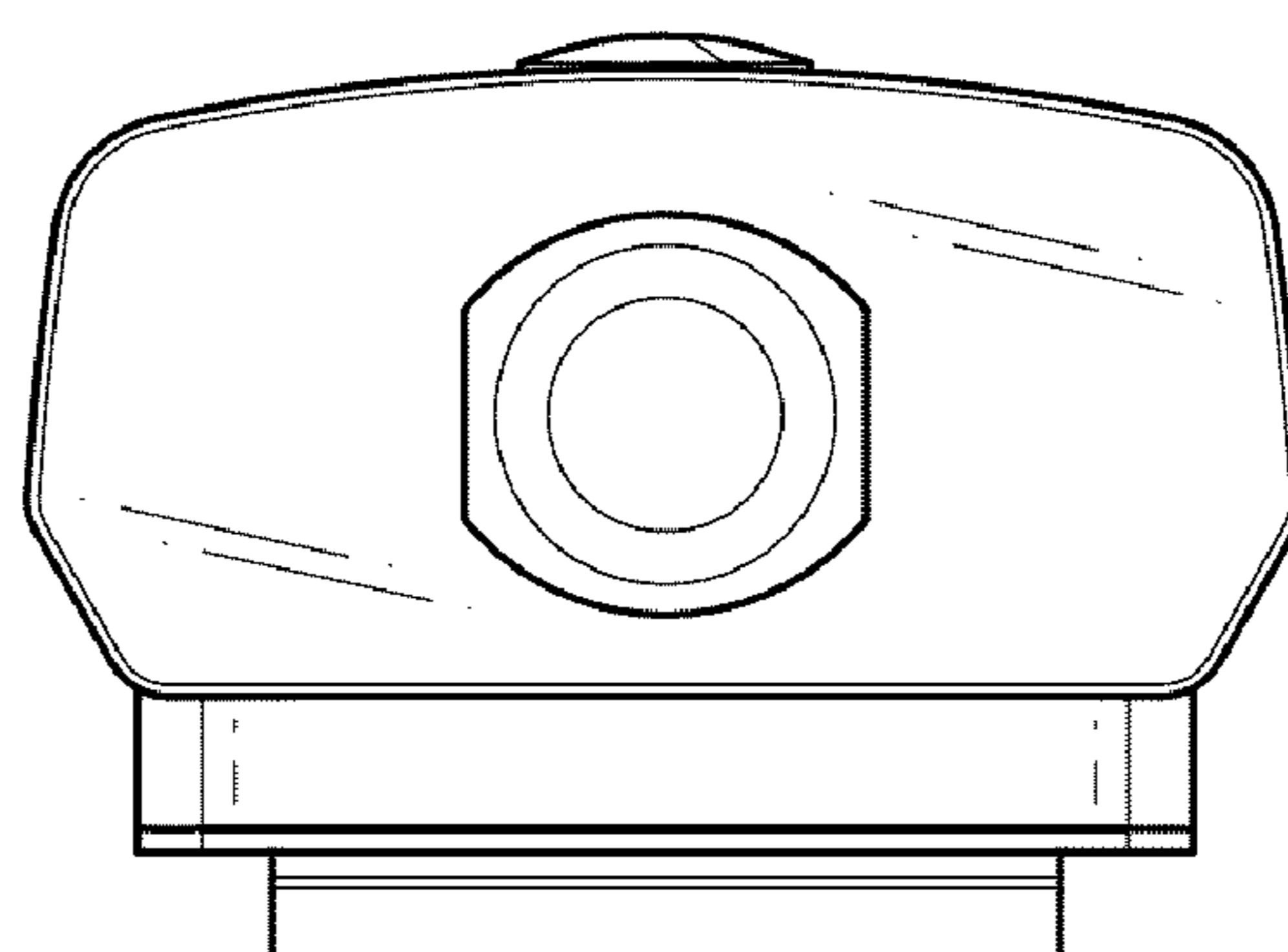


FIG. 3

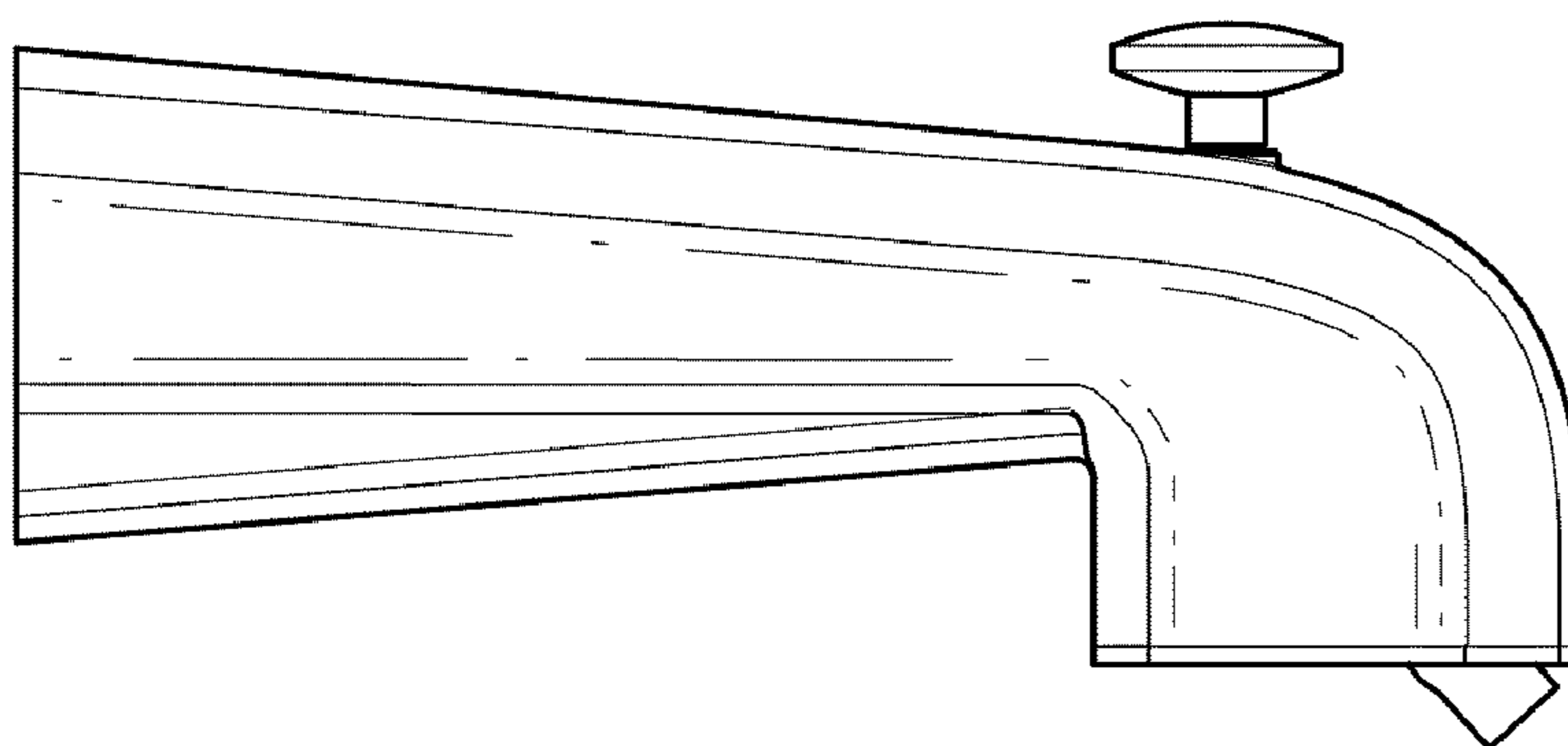


FIG. 4

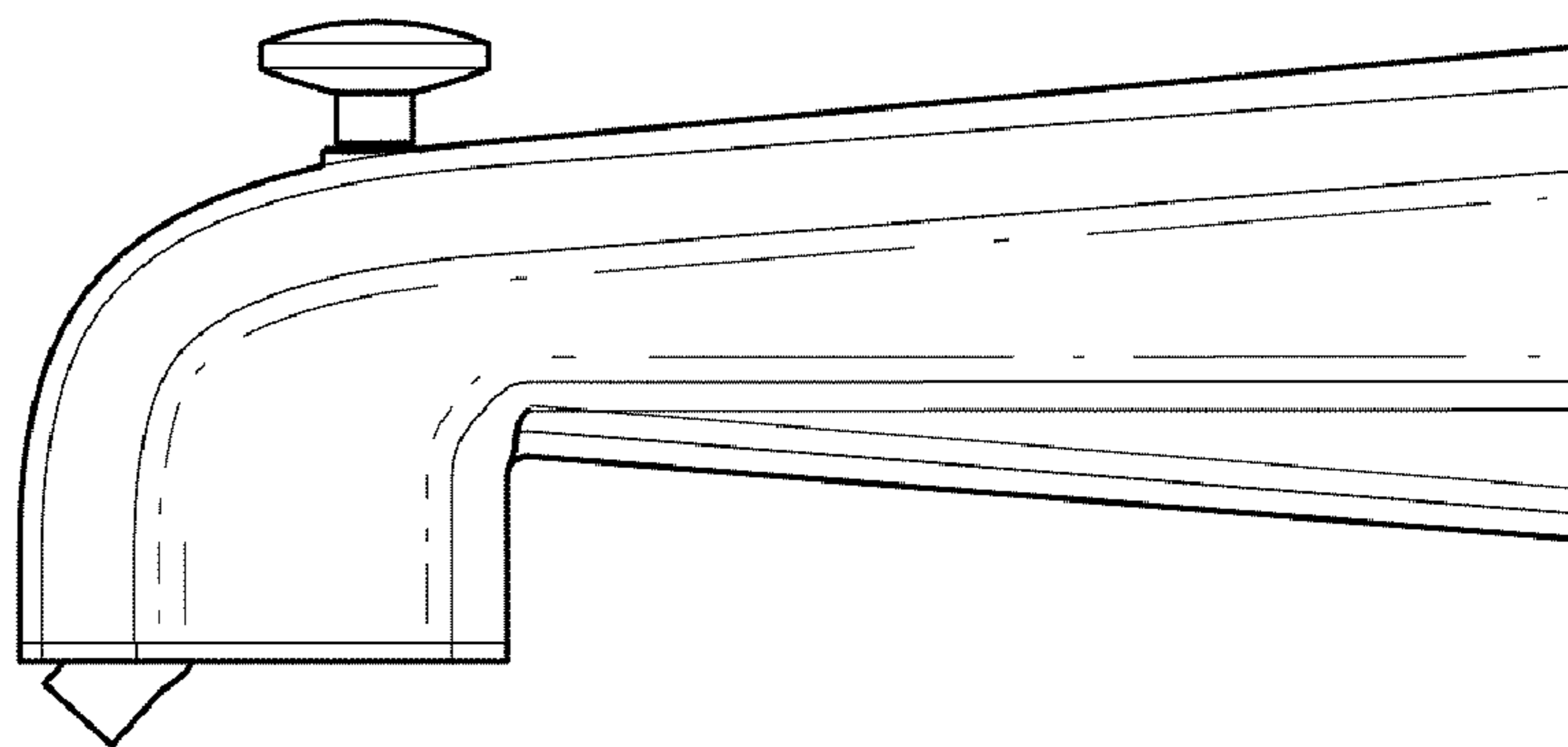


FIG. 5

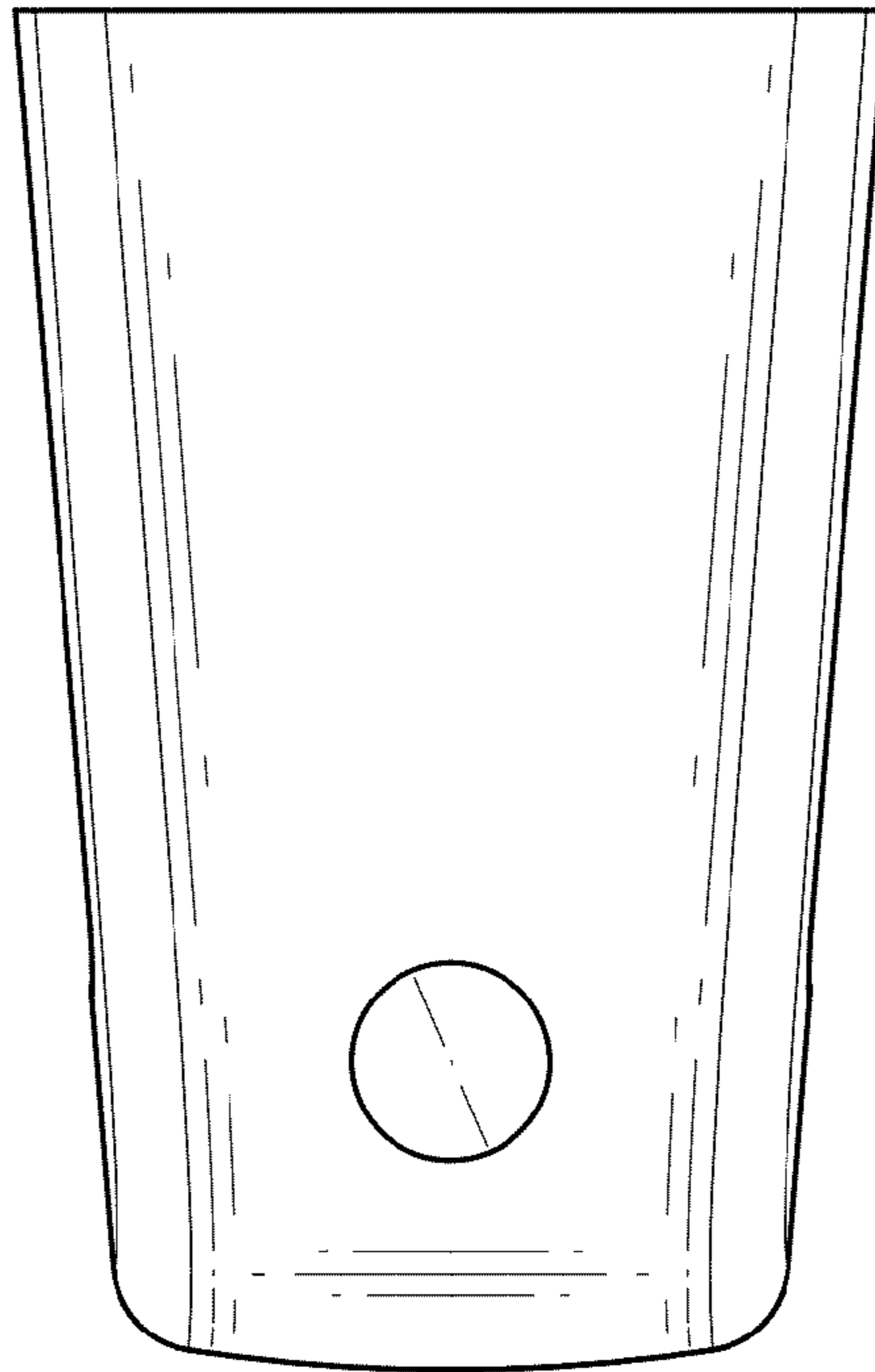


FIG. 6

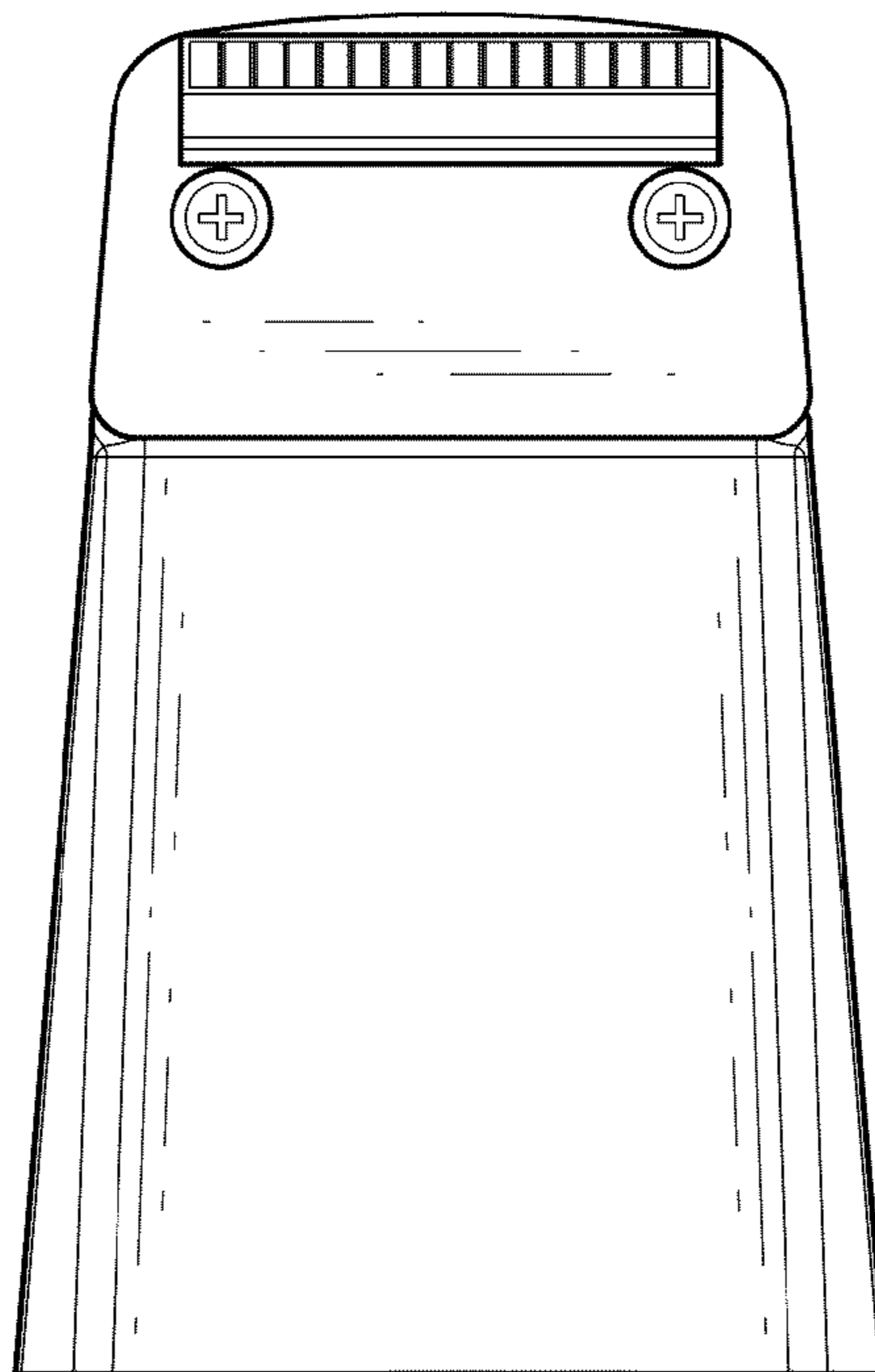


FIG. 7